



US00D756284S

(12) **United States Design Patent**  
**De Bono**

(10) **Patent No.:** **US D756,284 S**  
(45) **Date of Patent:** **\*\* May 17, 2016**

(54) **VEHICLE WHEEL**

(71) Applicant: **Bayerische Motoren Werke Aktiengesellschaft, Munich (DE)**

(72) Inventor: **Michael Theodore De Bono, Munich (DE)**

(73) Assignee: **Bayerische Motoren Werke Aktiengesellschaft, Munich (DE)**

(\*\*) Term: **15 Years**

(21) Appl. No.: **29/544,479**

(22) Filed: **Nov. 4, 2015**

(30) **Foreign Application Priority Data**

May 5, 2015 (DE) ..... 40 2015 100 404

(51) **LOC (10) Cl.** ..... **12-16**

(52) **U.S. Cl.**  
USPC ..... **D12/209**

(58) **Field of Classification Search**

USPC ..... D12/204–213

CPC ..... B60B 7/00; B60B 7/02; B60B 7/04;  
B60B 7/01; B60B 7/06; B60B 3/02; B60B  
3/04; B60B 3/06; B60B 3/10; B60B 1/00;  
B60B 1/08; B60B 1/10; B60B 1/12

See application file for complete search history.

(56) **References Cited**

**U.S. PATENT DOCUMENTS**

D475,337 S \* 6/2003 Kataoka ..... D12/209  
D504,380 S \* 4/2005 Kushartanto ..... D12/209  
D568,800 S \* 5/2008 Huet ..... D12/211  
D591,661 S 5/2009 Baum  
D597,015 S \* 7/2009 Juergens ..... D12/211  
D622,649 S \* 8/2010 Weil ..... D12/209  
D624,862 S \* 10/2010 Zhao ..... D12/209  
D630,564 S 1/2011 Baum

D635,499 S \* 4/2011 Nissl ..... D12/211  
D648,664 S \* 11/2011 Faghihzadeh ..... D12/209  
D655,659 S \* 3/2012 Schweizer ..... D12/209  
D658,107 S \* 4/2012 Pollmann ..... D12/211  
D659,628 S \* 5/2012 Pollmann ..... D12/211  
D666,953 S \* 9/2012 Pollmann ..... D12/209  
D670,636 S \* 11/2012 Juergens ..... D12/211  
D671,476 S \* 11/2012 Pinel ..... D12/209  
D671,481 S \* 11/2012 Amezketa ..... D12/211  
D677,609 S \* 3/2013 Sabblah ..... D12/209  
D683,297 S \* 5/2013 Juergens ..... D12/211  
D697,011 S 1/2014 Kang  
D703,125 S 4/2014 Tanghe  
D710,287 S \* 8/2014 Ishii ..... D12/209  
D720,677 S \* 1/2015 Diephuis ..... D12/209  
D727,824 S 4/2015 Garbas  
D732,450 S \* 6/2015 Guille ..... D12/209

(Continued)

**FOREIGN PATENT DOCUMENTS**

EM 000735758-0007 7/2007  
EM 001036552-0004 11/2009  
EM 001714668-0002 1/2011

*Primary Examiner* — Stacia Cadmus

(74) *Attorney, Agent, or Firm* — Crowell & Moring LLP

(57) **CLAIM**

The ornamental design for a vehicle wheel, as shown and described.

**DESCRIPTION**

FIG. 1 is a perspective view of a vehicle wheel according to the design;

FIG. 2 is an additional perspective view thereof;

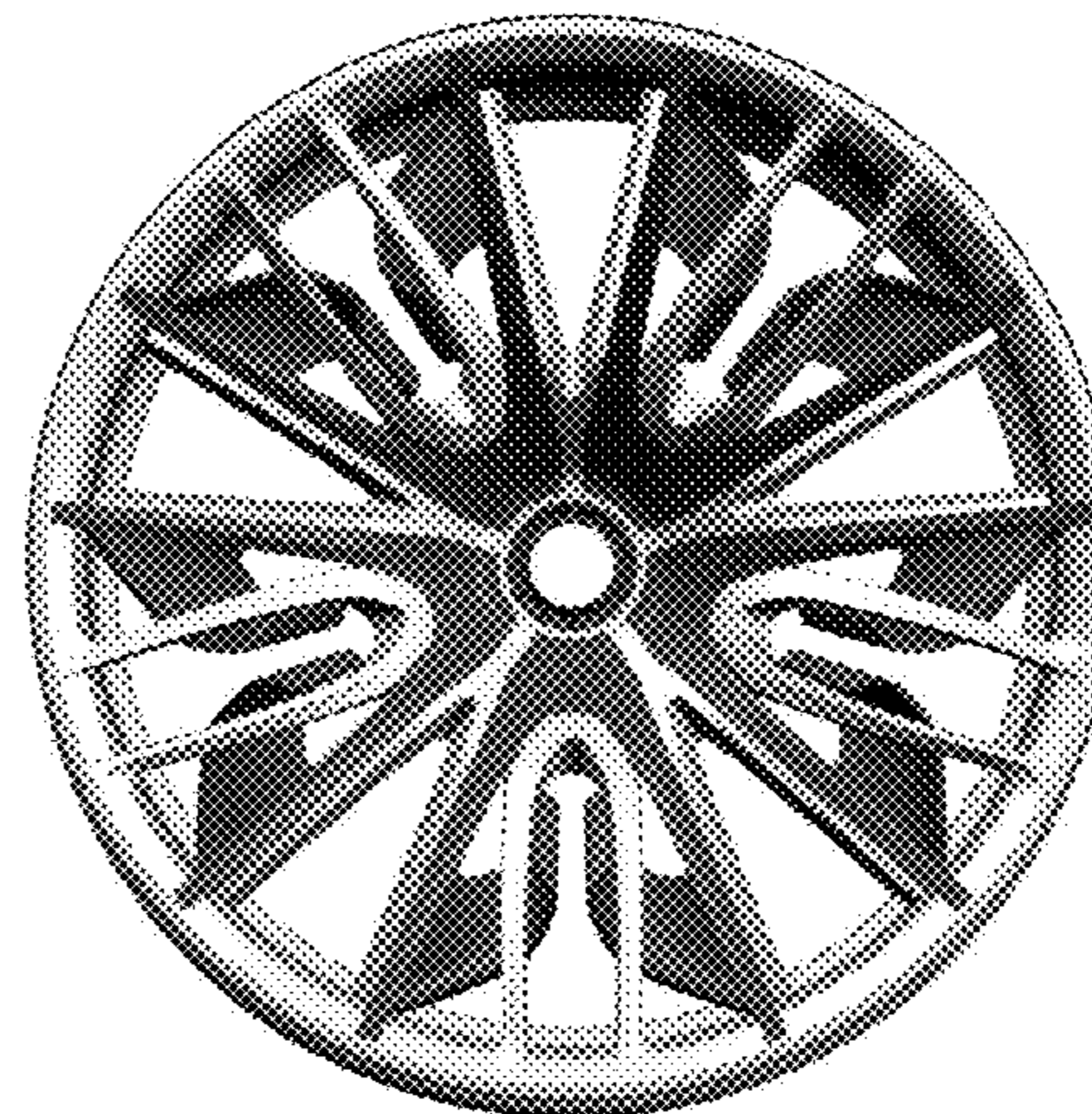
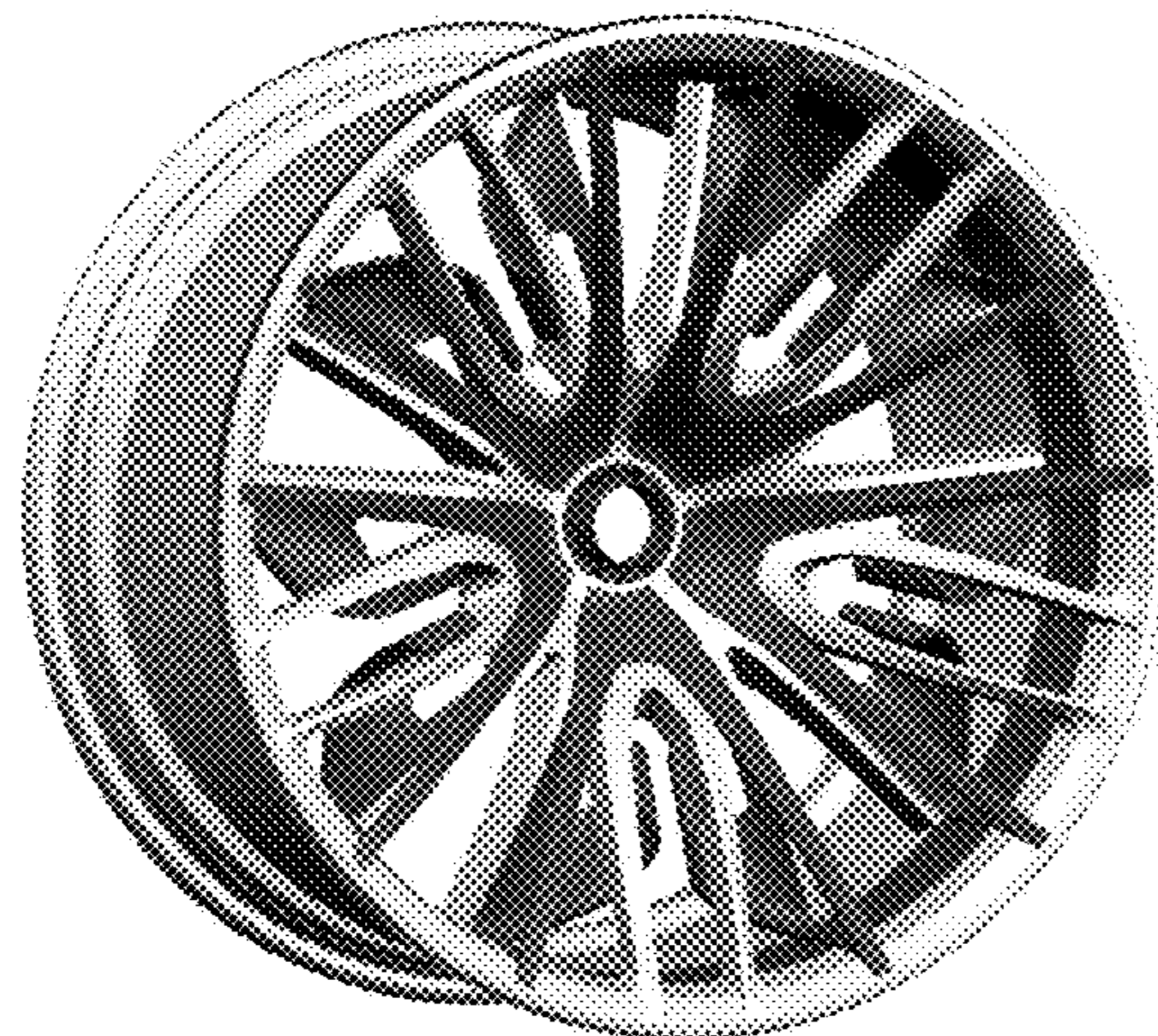
FIG. 3 is an additional perspective view thereof;

FIG. 4 is a front view thereof;

FIG. 5 is a rear view thereof in a lighter gray scale, representing environmental features that form no part of the claimed design; and,

FIG. 6 is a side view thereof.

**1 Claim, 6 Drawing Sheets**



(56)

**References Cited**

D740,194 S \* 10/2015 Valencia Pollex ..... D12/209  
D746,208 S \* 12/2015 Battams ..... D12/209

U.S. PATENT DOCUMENTS

D733,633 S \* 7/2015 Gardavsky ..... D12/211 \* cited by examiner



Fig. 1



Fig. 2



Fig. 3



Fig. 4



Fig. 5

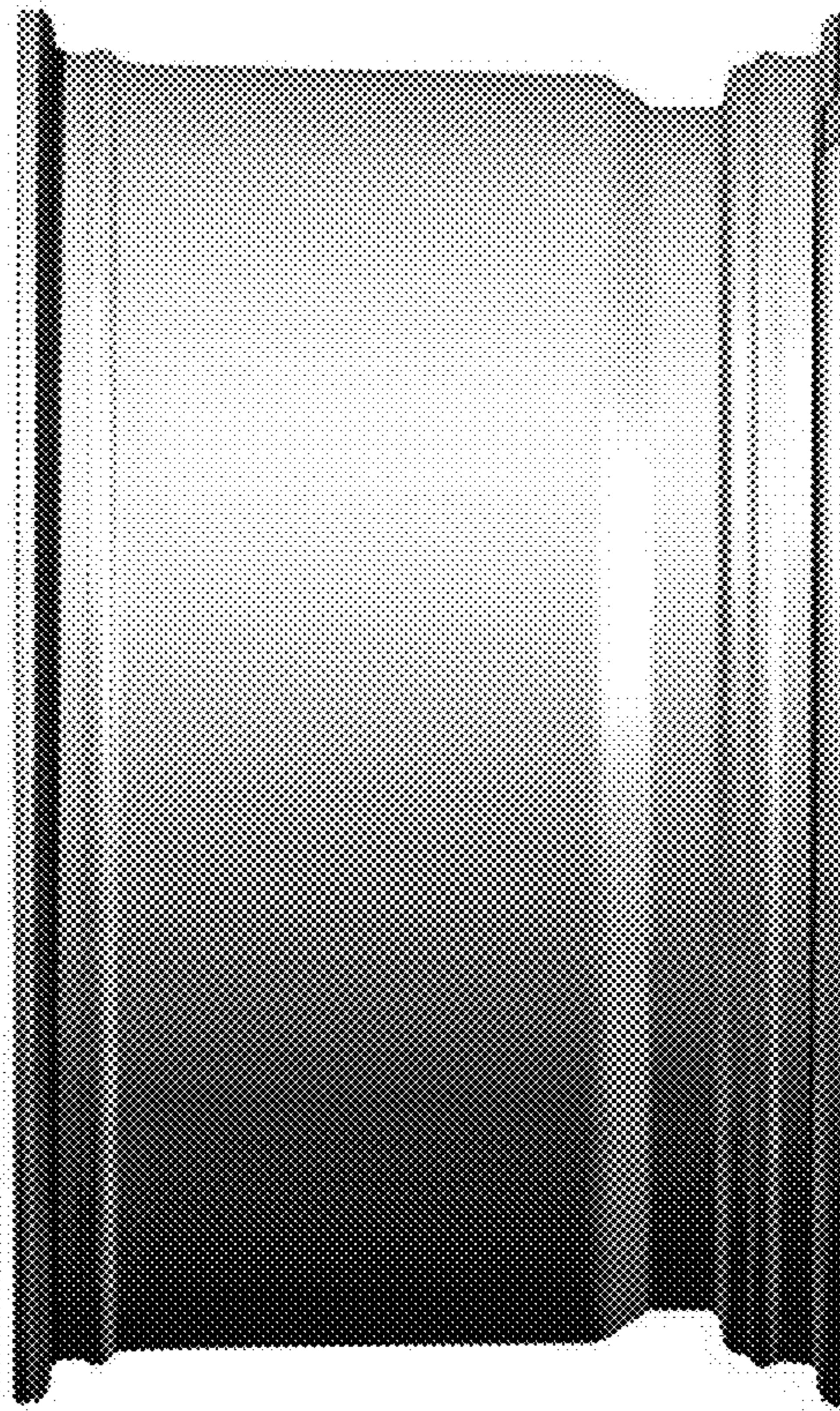


Fig. 6