

US00D756283S

(12) **United States Design Patent**
Chan

(10) **Patent No.:** **US D756,283 S**

(45) **Date of Patent:** **** May 17, 2016**

(54) **VEHICLE WHEEL**

(71) Applicant: **Quarsa, LLC**, Chino, CA (US)

(72) Inventor: **Gordon Chan**, Temple City, CA (US)

(73) Assignee: **Quarsa, LLC**, Chino, CA (US)

(**) Term: **14 Years**

(21) Appl. No.: **29/516,542**

(22) Filed: **Feb. 3, 2015**

(51) **LOC (10) Cl.** **12-16**

(52) **U.S. Cl.**

USPC **D12/209**

(58) **Field of Classification Search**

USPC D12/204–213

CPC B60B 7/00; B60B 7/02; B60B 7/04;
B60B 7/01; B60B 7/06; B60B 3/02; B60B
3/04; B60B 3/06; B60B 3/10; B60B 1/00;
B60B 1/08; B60B 1/10; B60B 1/12

See application file for complete search history.

(56) **References Cited**

U.S. PATENT DOCUMENTS

D459,691 S *	7/2002	Takechi	D12/211
D471,500 S *	3/2003	Kataoka	D12/209
D475,962 S *	6/2003	Chung	D12/211
D486,115 S *	2/2004	Chung	D12/211
D492,240 S *	6/2004	Suciu	D12/211
D493,406 S *	7/2004	Kataoka	D12/211
D507,222 S *	7/2005	Arellano	D12/209

D507,518 S *	7/2005	Scheu	D12/209
D518,766 S *	4/2006	Burns	D12/211
D519,903 S *	5/2006	Ditty	D12/209
D531,562 S *	11/2006	Kim	D12/209
D540,730 S *	4/2007	Musser	D12/209
D573,080 S *	7/2008	Kim	D12/209
D574,762 S *	8/2008	Kim	D12/209
D592,118 S *	5/2009	Chung	D12/209
D618,605 S *	6/2010	Zhao	D12/209
D689,000 S *	9/2013	Platto	D12/209
D695,667 S *	12/2013	Zane	D12/209
D709,815 S *	7/2014	Butterworth	D12/209
D715,208 S *	10/2014	Grake	D12/204
D751,480 S *	3/2016	Chung	D12/209

* cited by examiner

Primary Examiner — Stacia Cadmus

(74) *Attorney, Agent, or Firm* — Snell & Wilmer LLP

(57) **CLAIM**

I claim the ornamental design for a vehicle wheel, as shown and described.

DESCRIPTION

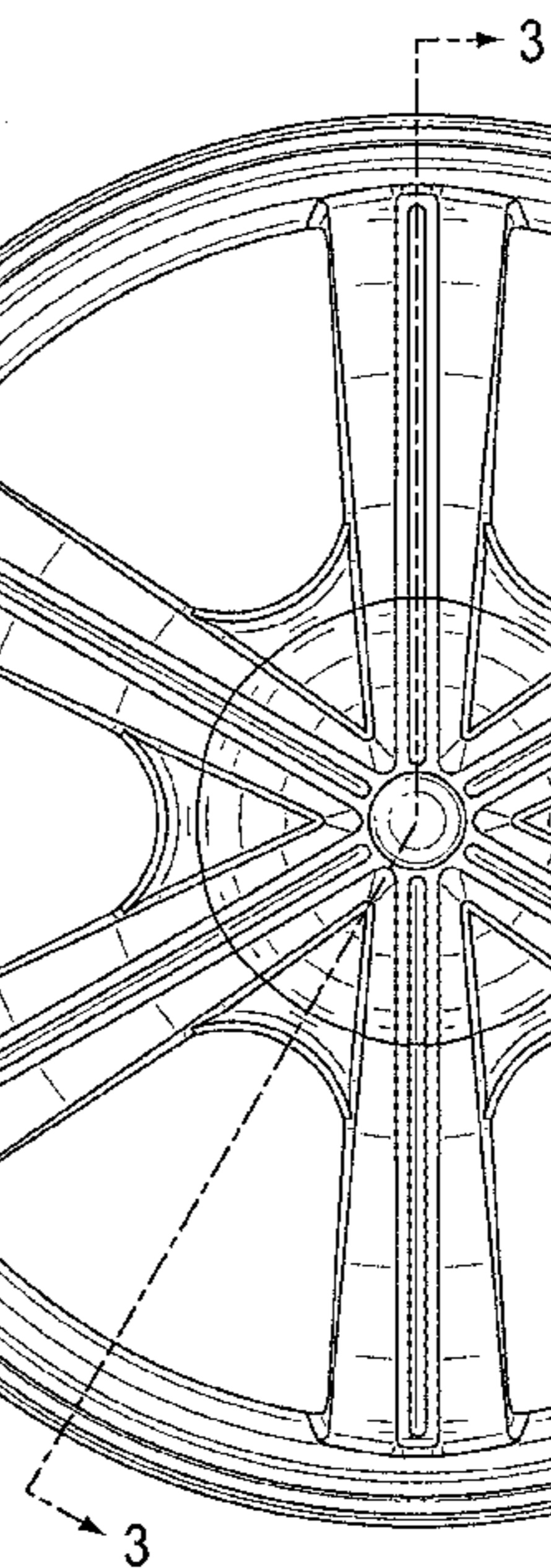
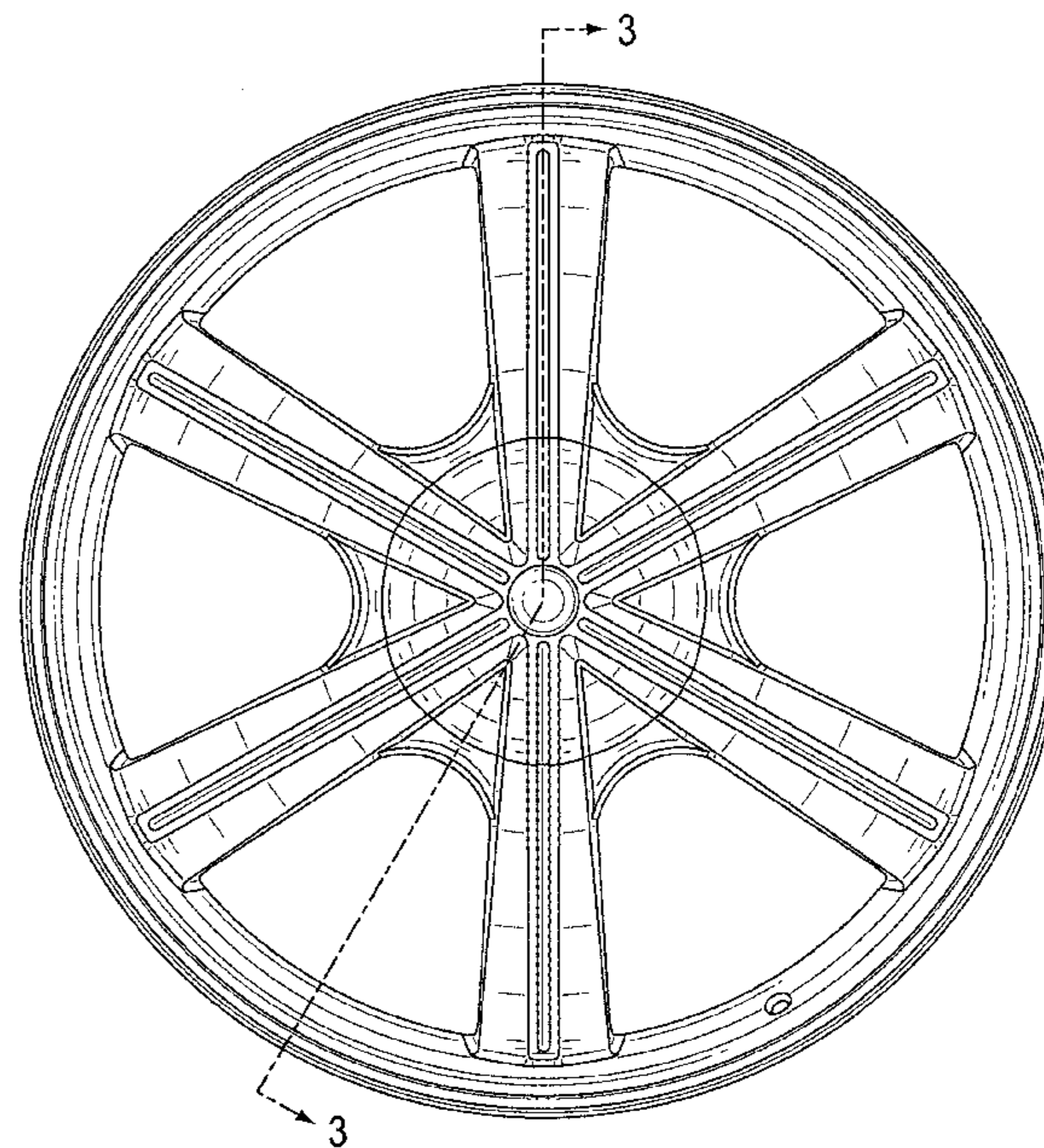
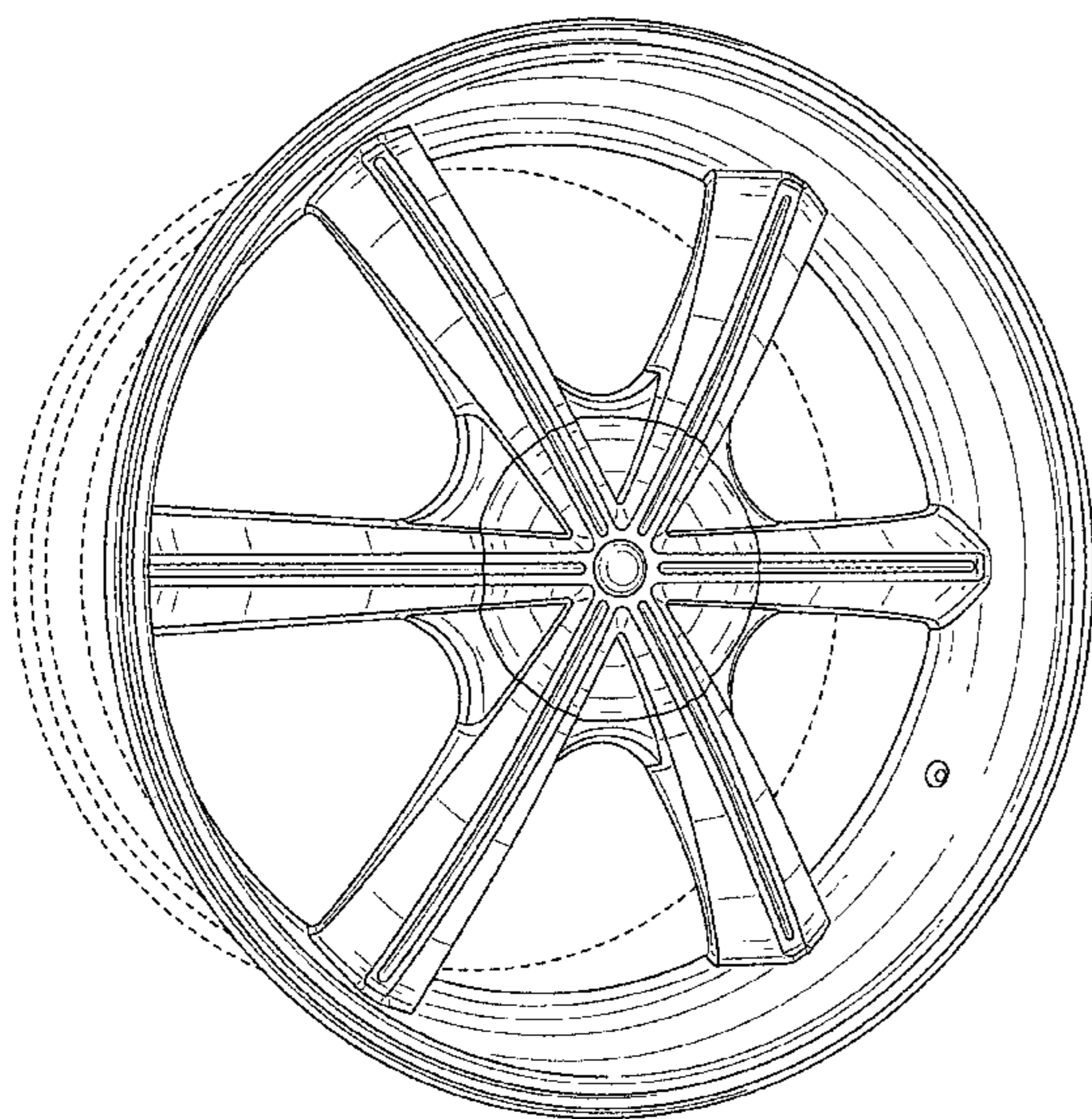
FIG. 1 is a perspective view of the vehicle wheel showing my new design;

FIG. 2 is a front view of the vehicle wheel; and,

FIG. 3 is a cross-sectional view taken along the line 3-3 of FIG. 2.

The broken lines showing portions of the vehicle wheel are for illustrative purposes only and form no part of the claimed design.

1 Claim, 3 Drawing Sheets



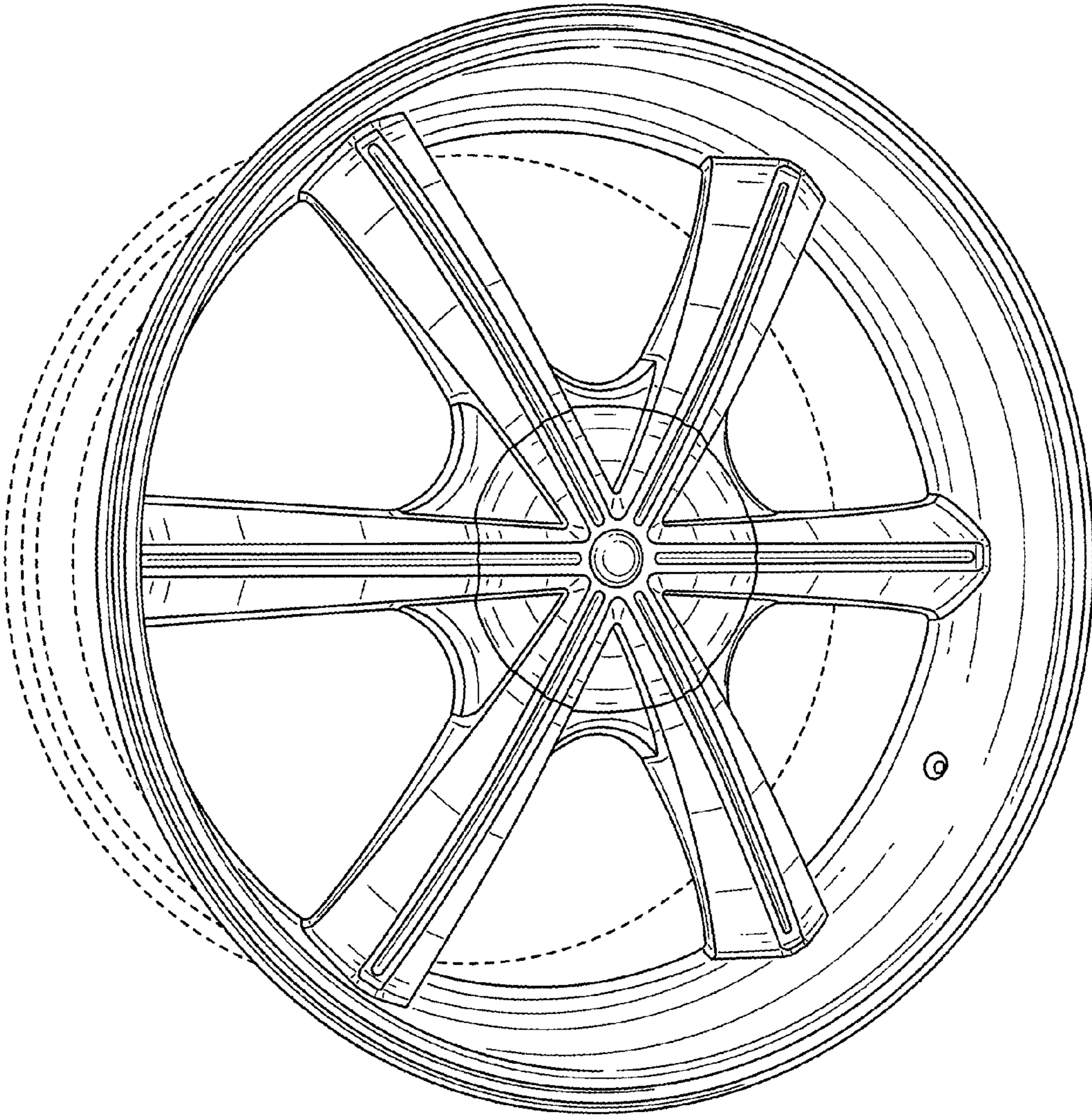


FIG. 1

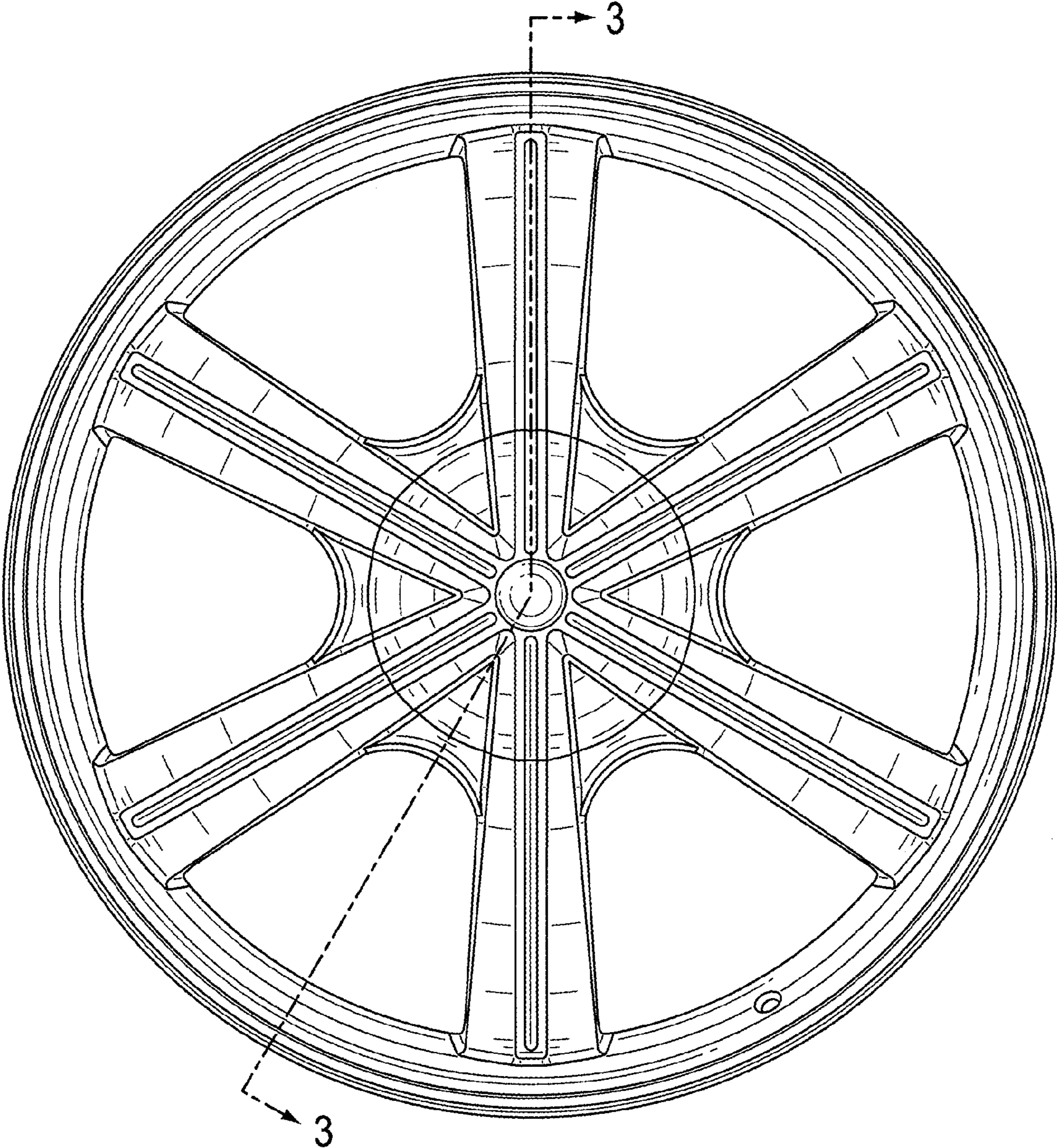


FIG. 2

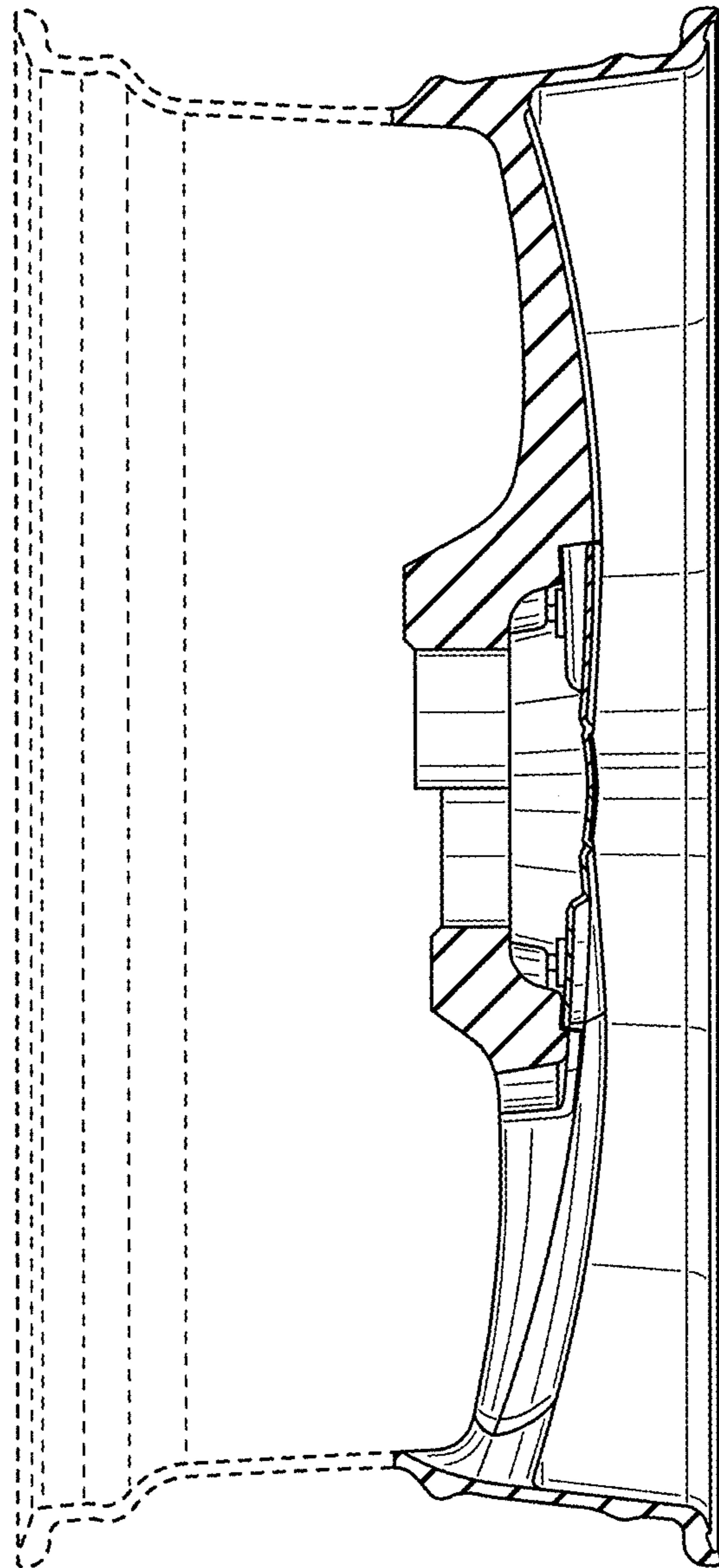


FIG. 3