

US00D756282S

(12) **United States Design Patent**
Zhao

(10) **Patent No.:** **US D756,282 S**
(45) **Date of Patent:** **** May 17, 2016**

- (54) **AUTOMOBILE WHEEL**
- (71) Applicant: **WAH HUNG GROUP INC.**, Monterey Park, CA (US)
- (72) Inventor: **John Zhao**, Monterey Park, CA (US)
- (73) Assignee: **Wah Hung Group Inc.**, Monterey Park, CA (US)
- (**) Term: **14 Years**
- (21) Appl. No.: **29/506,021**
- (22) Filed: **Oct. 12, 2014**
- (51) **LOC (10) Cl.** **12-16**
- (52) **U.S. Cl.**
USPC **D12/209**
- (58) **Field of Classification Search**
USPC D12/204–213; 301/37.101, 64.101, 65
See application file for complete search history.

D548,162 S *	8/2007	Baum	D12/211
D555,065 S *	11/2007	Hernandez	D12/211
D584,673 S *	1/2009	Chung	D12/209
D595,632 S *	7/2009	Hernandez	D12/211
D622,199 S *	8/2010	Gallert	D12/211
D623,115 S *	9/2010	Juergens	D12/211
D661,239 S *	6/2012	Pollmann	D12/209

OTHER PUBLICATIONS

Search Results for IN/emie and IN/alfonso on Dec. 21, 2014.
Search results of IM/john and TTL/wheel and IN/zhao on Dec. 19, 2014.

* cited by examiner

Primary Examiner — Ian Simmons
Assistant Examiner — Samantha Q Lawrence
(74) *Attorney, Agent, or Firm* — Payam Moradian

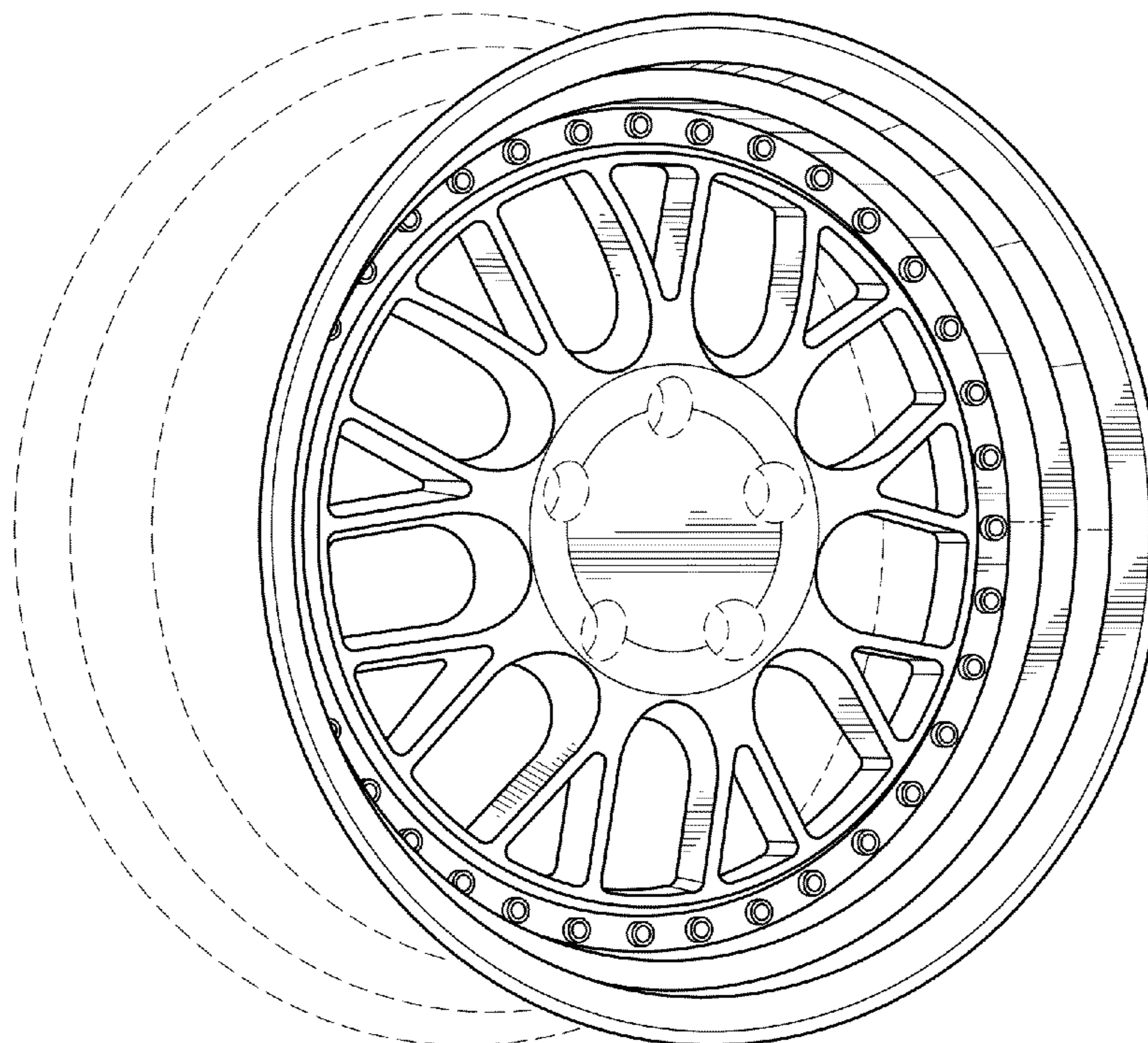
(57) **CLAIM**
I claim the ornamental design for an automobile wheel, as shown and described.

DESCRIPTION

FIG. 1 is a front elevational view of an automobile wheel according to the claimed design; and, FIG. 2 is a perspective view thereof. The broken lines shown in FIG. 1 and FIG. 2 illustrate portions of the automobile wheel that form no part of the claimed design.

1 Claim, 2 Drawing Sheets

- (56) **References Cited**
- U.S. PATENT DOCUMENTS
- D395,270 S * 6/1998 Baumgartner D12/211
- D405,409 S * 2/1999 Baumgartner D12/211
- D454,327 S * 3/2002 Bux D12/211
- D477,267 S * 7/2003 Chung D12/211
- D527,327 S * 8/2006 Laengerer D12/211
- D532,355 S * 11/2006 Baumgartner D12/211



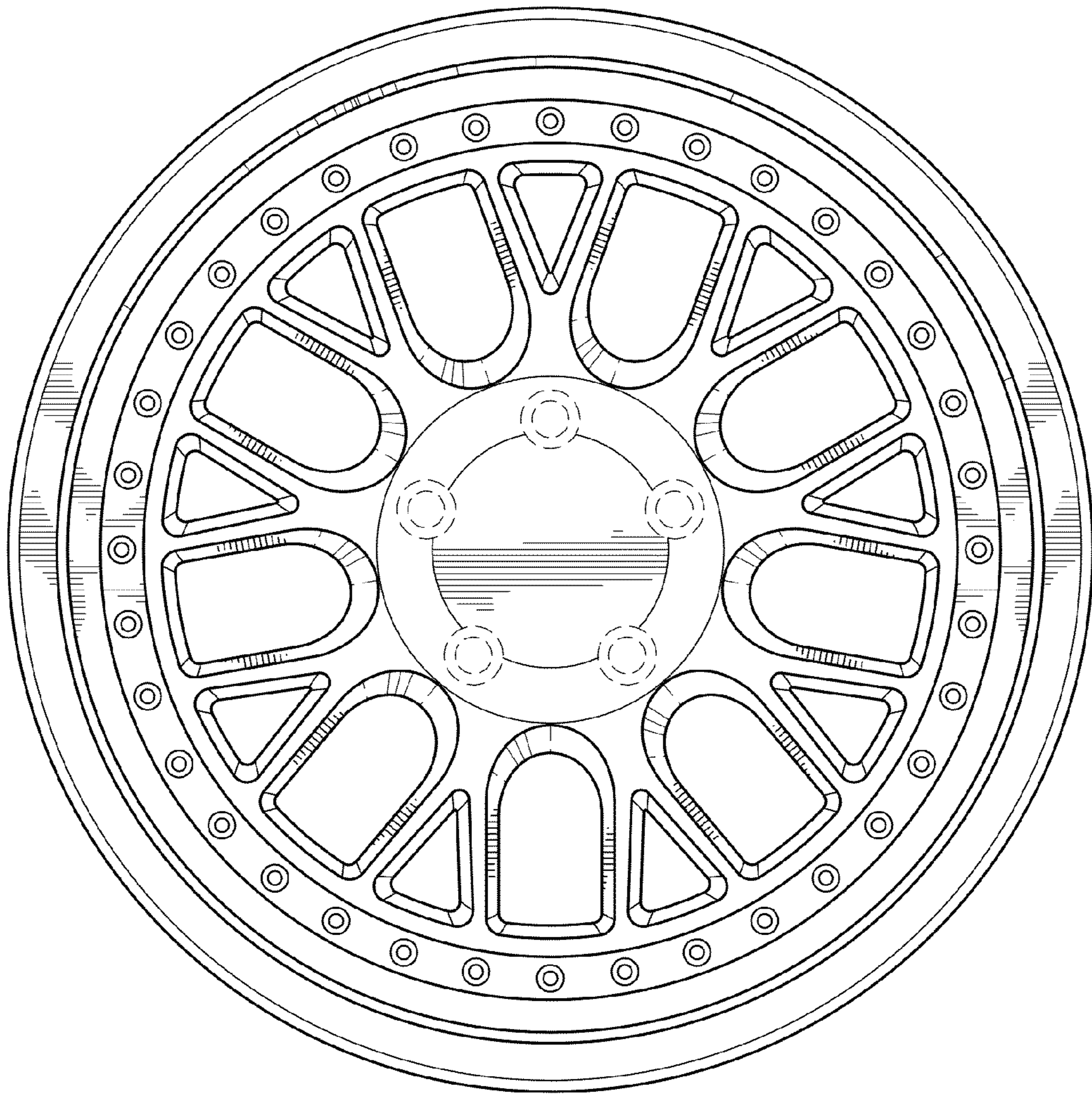


FIG. 1

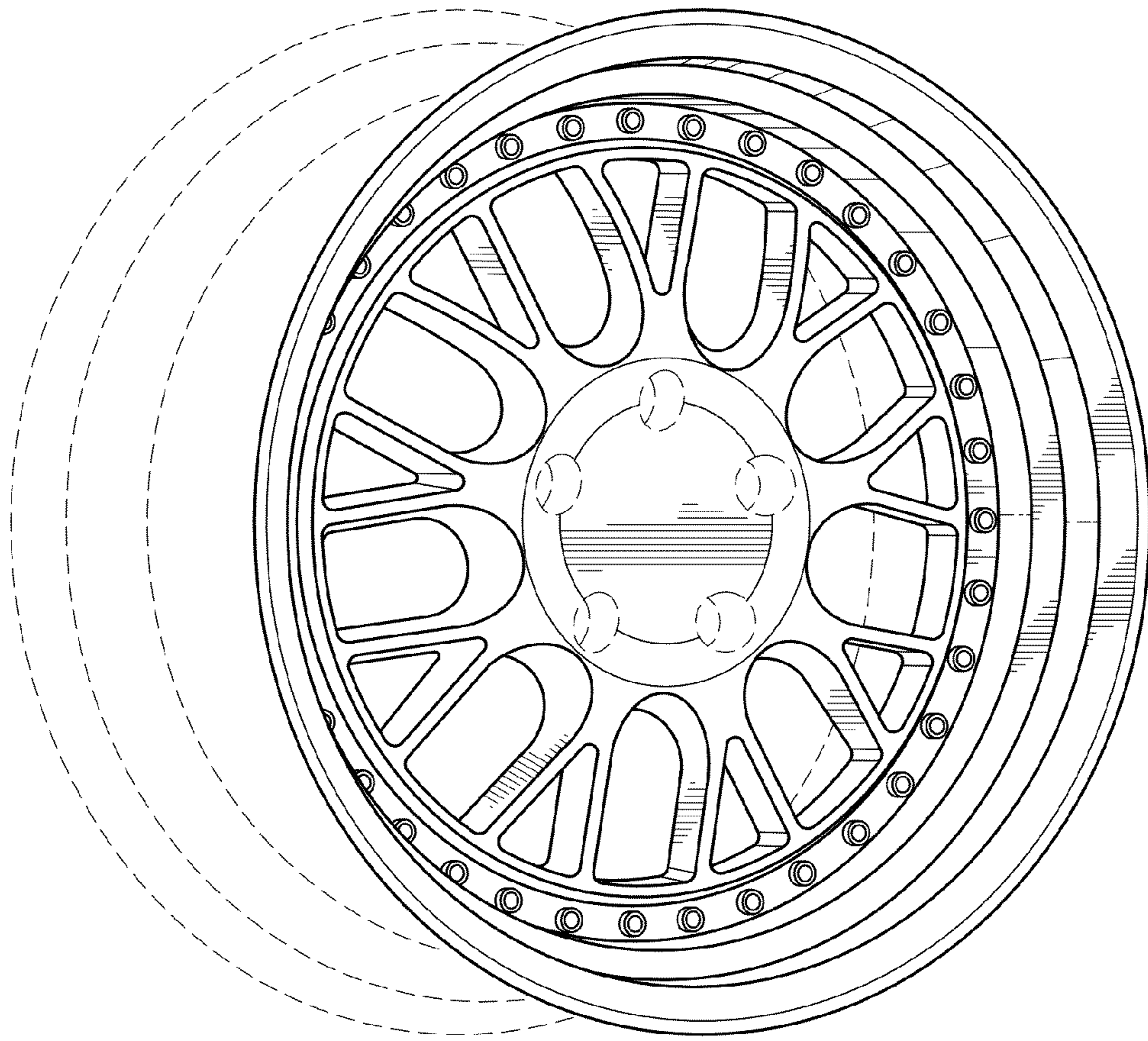


FIG. 2