



US00D756277S

(12) **United States Design Patent**
Pasfield

(10) **Patent No.:** **US D756,277 S**

(45) **Date of Patent:** **** May 17, 2016**

(54) **ELECTRIC BRAKE DRUM**

(71) Applicant: **R.V. Electronics Pty Ltd**, Holden Hill (AU)

(72) Inventor: **Colin Pasfield**, Holden Hill (AU)

(73) Assignee: **R.V. Electronics Pty Ltd**, Holden Hill, South Australia (AU)

(**) Term: **14 Years**

(21) Appl. No.: **29/502,550**

(22) Filed: **Sep. 17, 2014**

(30) **Foreign Application Priority Data**

Mar. 19, 2014 (AU) 201411274

(51) **LOC (10) Cl.** **12-16**

(52) **U.S. Cl.**
USPC **D12/180**

(58) **Field of Classification Search**
USPC D12/180; 188/412, 413, 415, 416;
192/324, 328, 333
CPC F16D 65/12; F16D 65/123
See application file for complete search history.

(56) **References Cited**

U.S. PATENT DOCUMENTS

D266,922 S * 11/1982 Reynolds D12/180
6,053,990 A * 4/2000 Persson C22C 37/10
148/321
6,572,712 B2 * 6/2003 Powell C22C 33/08
148/321
D476,932 S * 7/2003 Fishburn D12/180
D565,487 S * 4/2008 Zhang D12/180

D723,983 S * 3/2015 Blanca D12/180
2007/0289826 A1 * 12/2007 Suryatama F16D 65/10
188/218 R
2011/0297495 A1 * 12/2011 Hanna F16D 65/10
188/218 R
2013/0153345 A1 * 6/2013 Kuckert F16D 65/12
188/218 XL
2014/0069752 A1 * 3/2014 Fakhoury F16D 65/827
2015/0083532 A1 * 3/2015 Bordere F16D 65/10
188/218 R
2015/0167765 A1 * 6/2015 Plantan F16D 65/22
188/332

* cited by examiner

Primary Examiner — Philip S Hyder

Assistant Examiner — Darlington Ly

(74) *Attorney, Agent, or Firm* — Sand & Sebolt

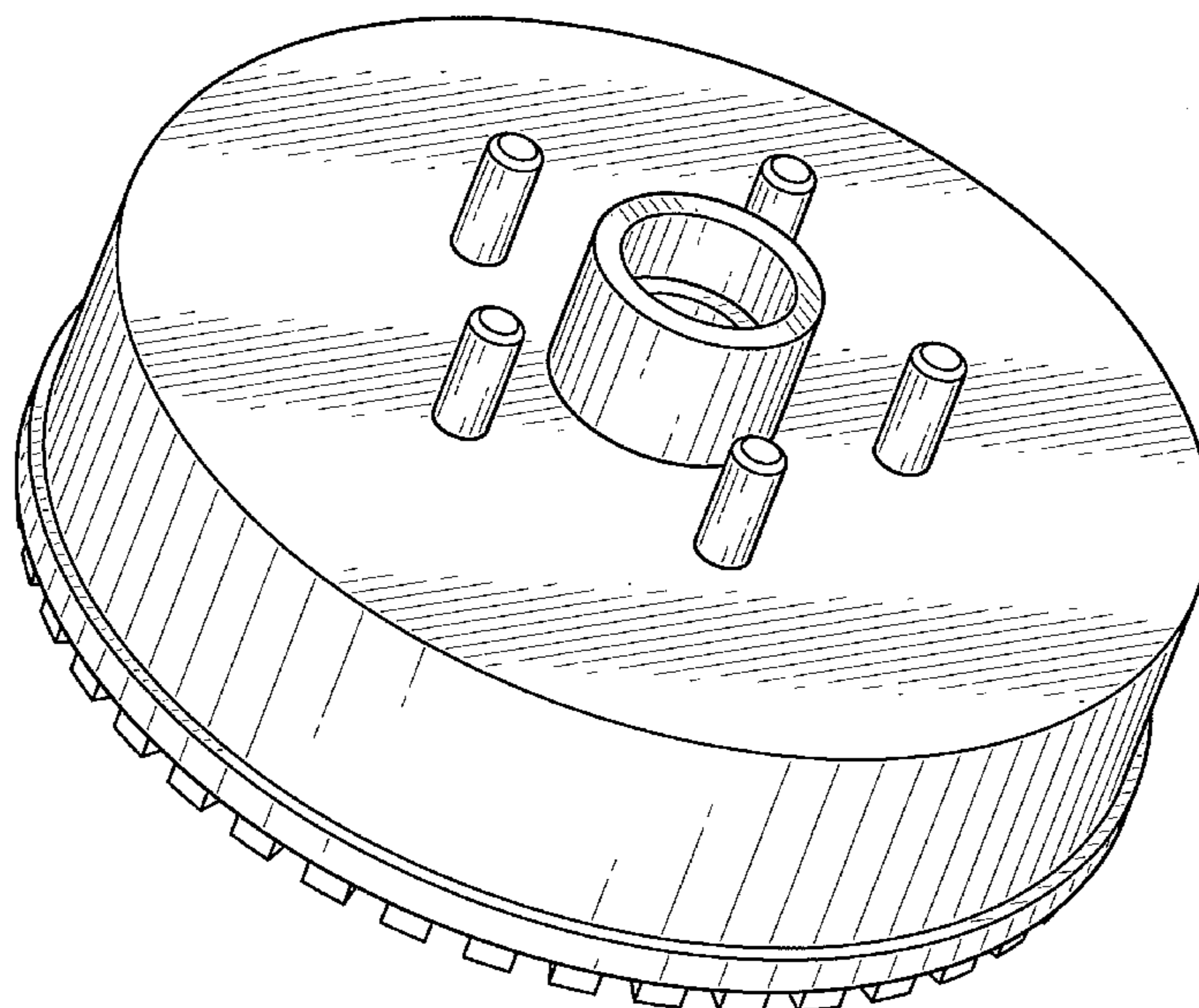
(57) **CLAIM**

The ornamental design for an electric brake drum, as shown and described.

DESCRIPTION

FIG. 1 is a top perspective view of an electric brake drum in accordance with my design;
FIG. 2 is a bottom perspective view thereof;
FIG. 3 is a top view thereof;
FIG. 4 is a bottom view thereof;
FIG. 5 is a front view thereof;
FIG. 6 is a rear view thereof;
FIG. 7 is a left side view thereof;
FIG. 8 is a right side view thereof; and,
FIG. 9 is a cross-section taken along line 9-9 of FIG. 3.
The broken lines show portions of the electric brake drum that form no part of the claimed design.

1 Claim, 7 Drawing Sheets



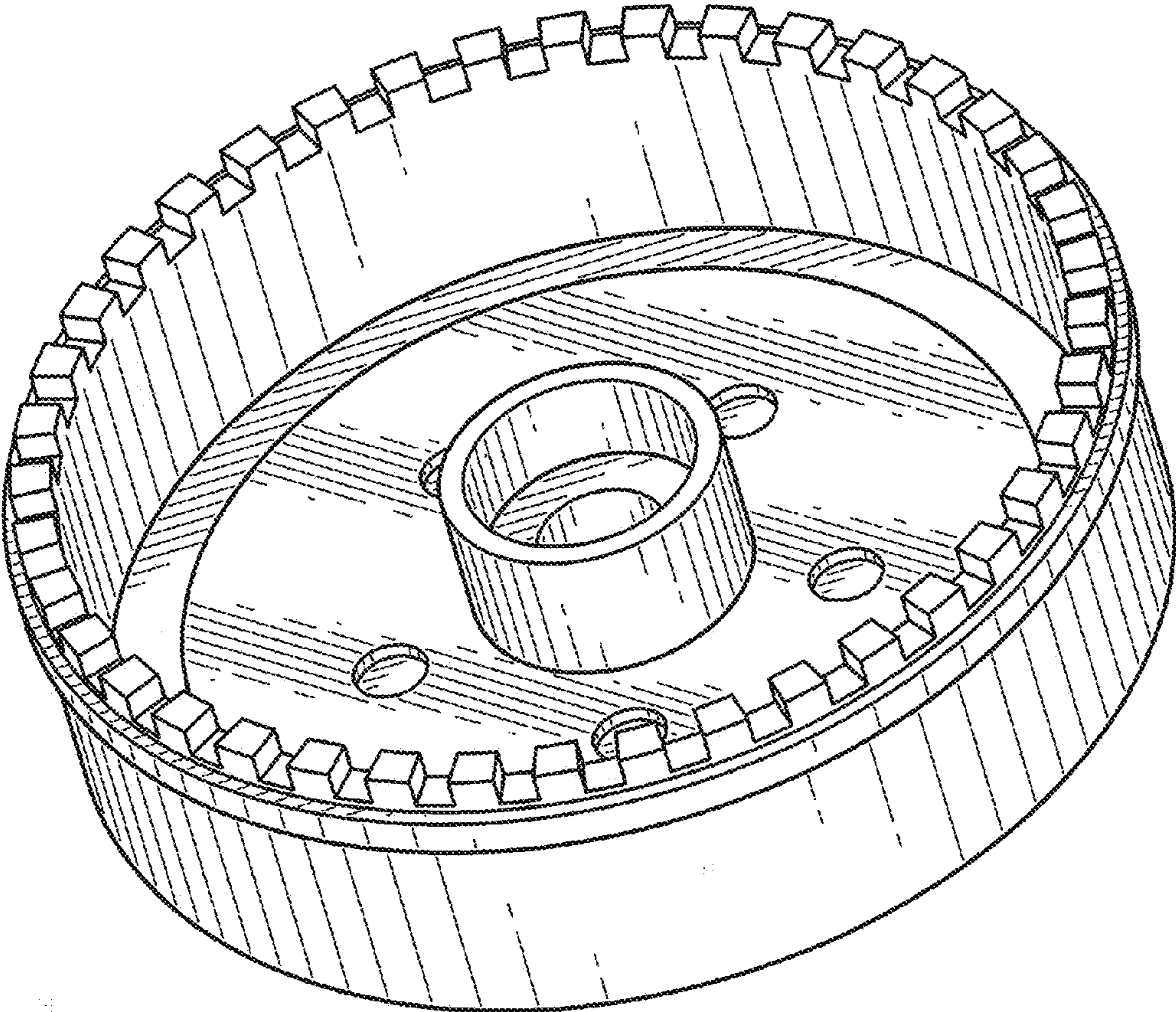


FIG-1

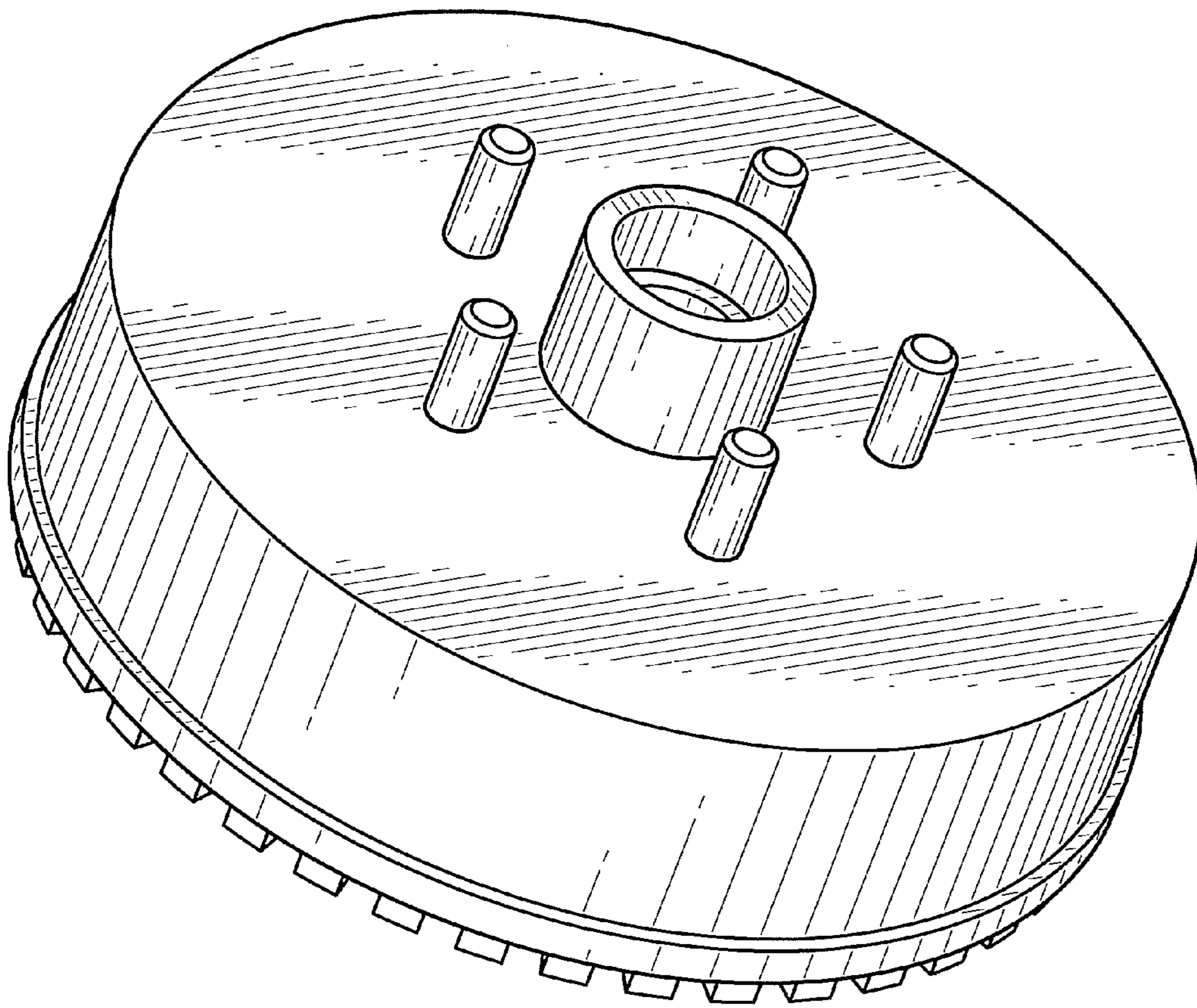


FIG-2

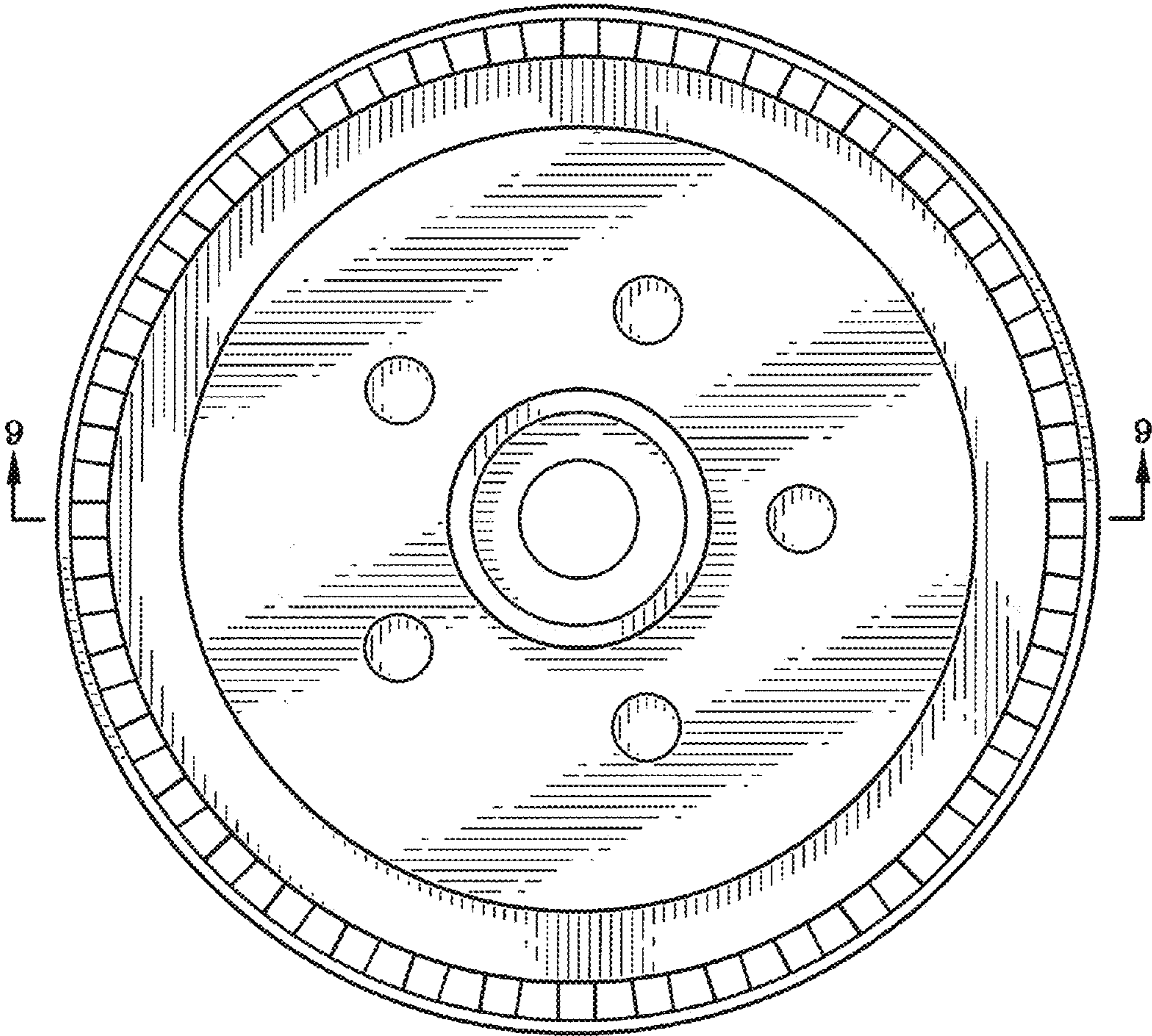


FIG-3

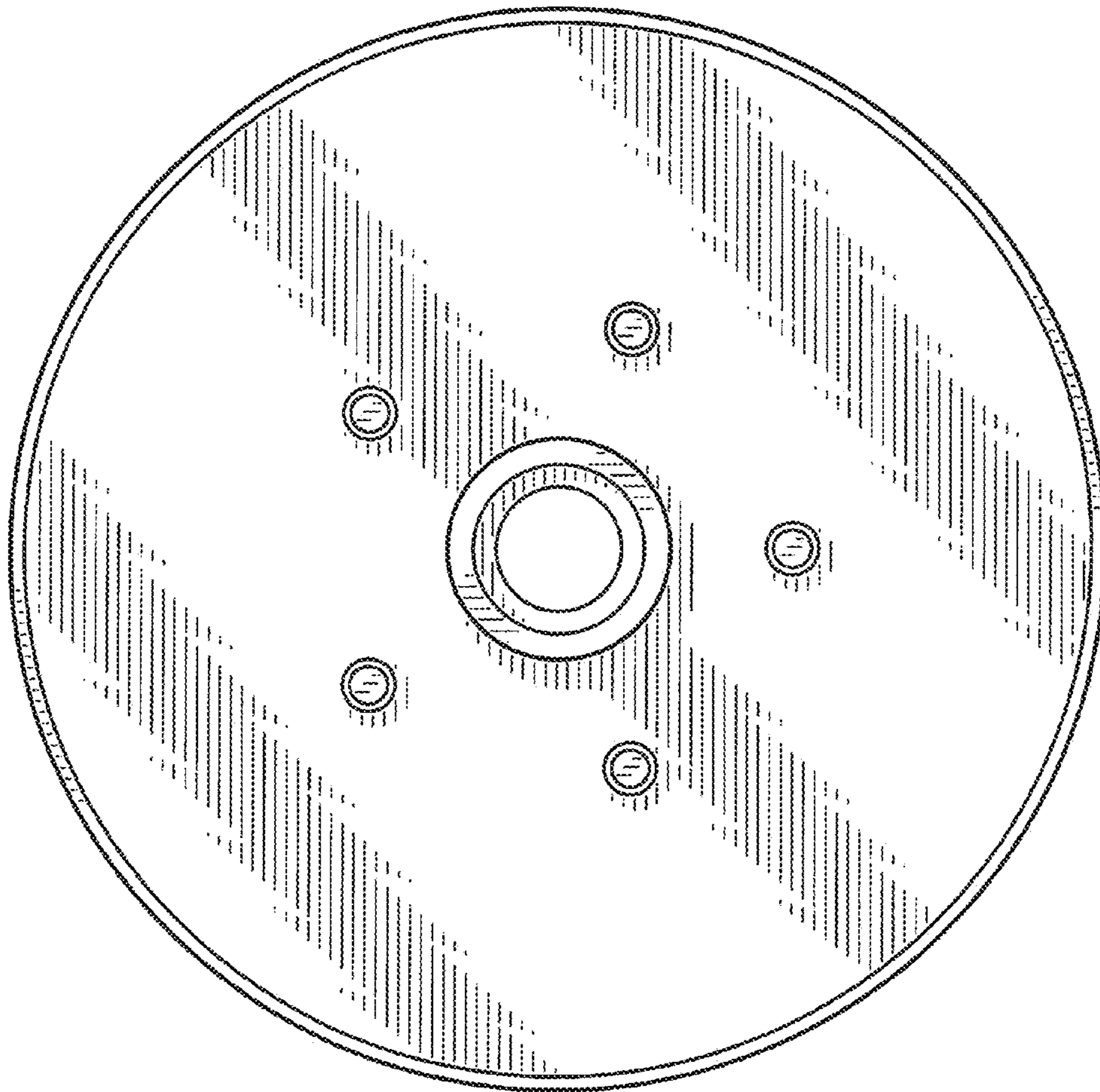


FIG-4

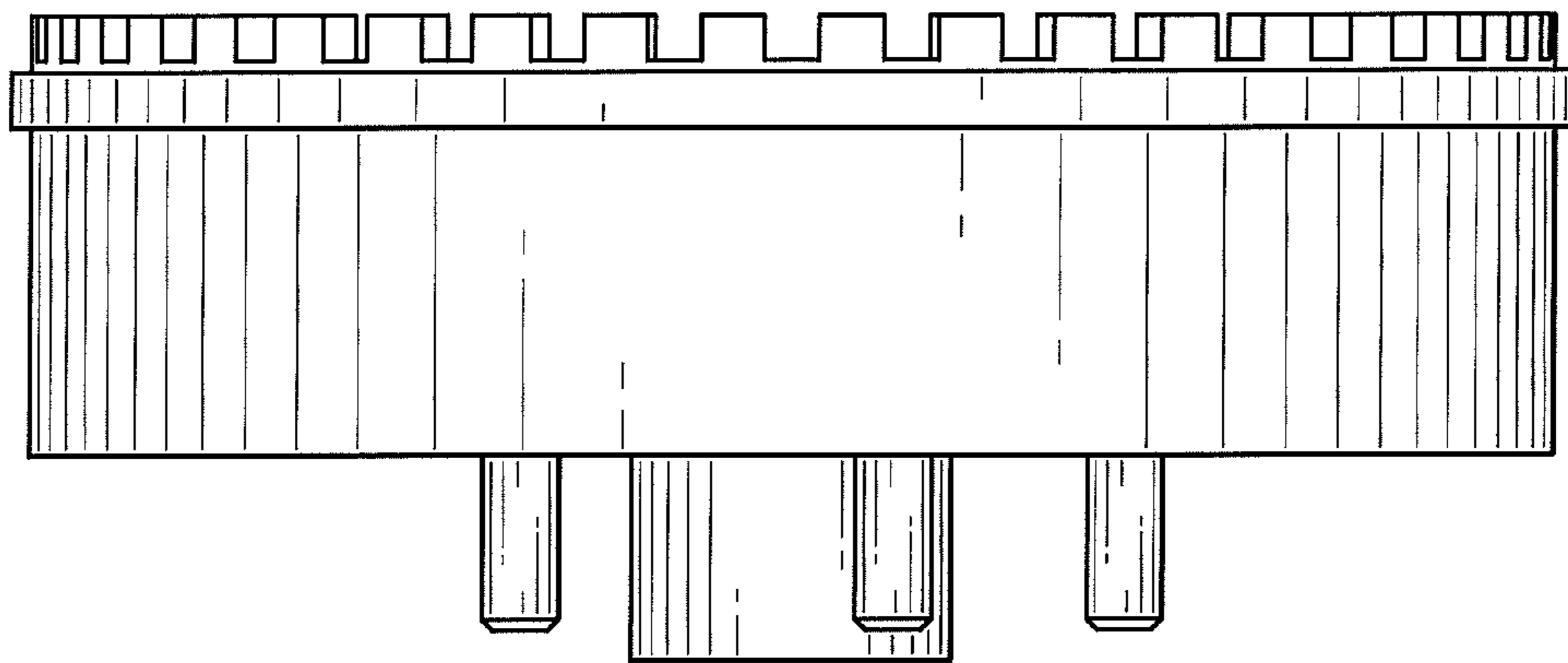


FIG-5

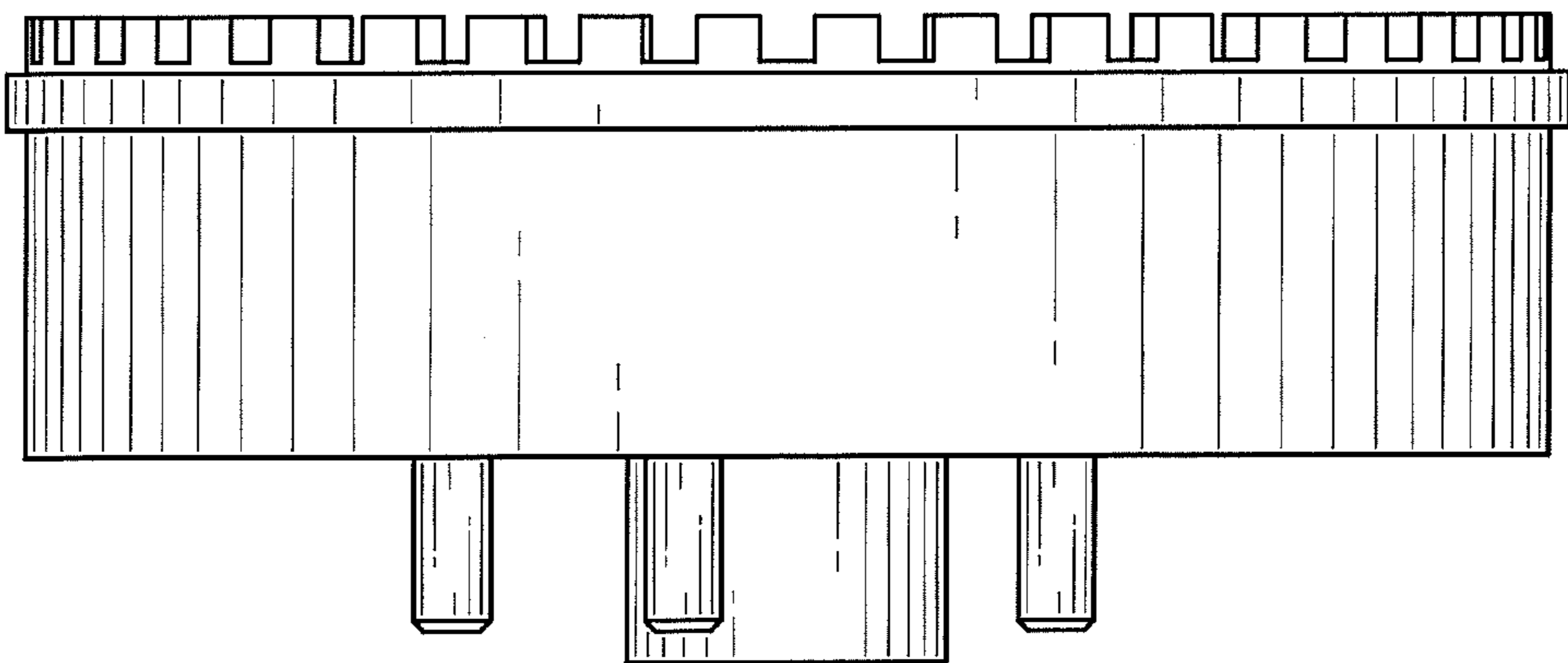


FIG-6

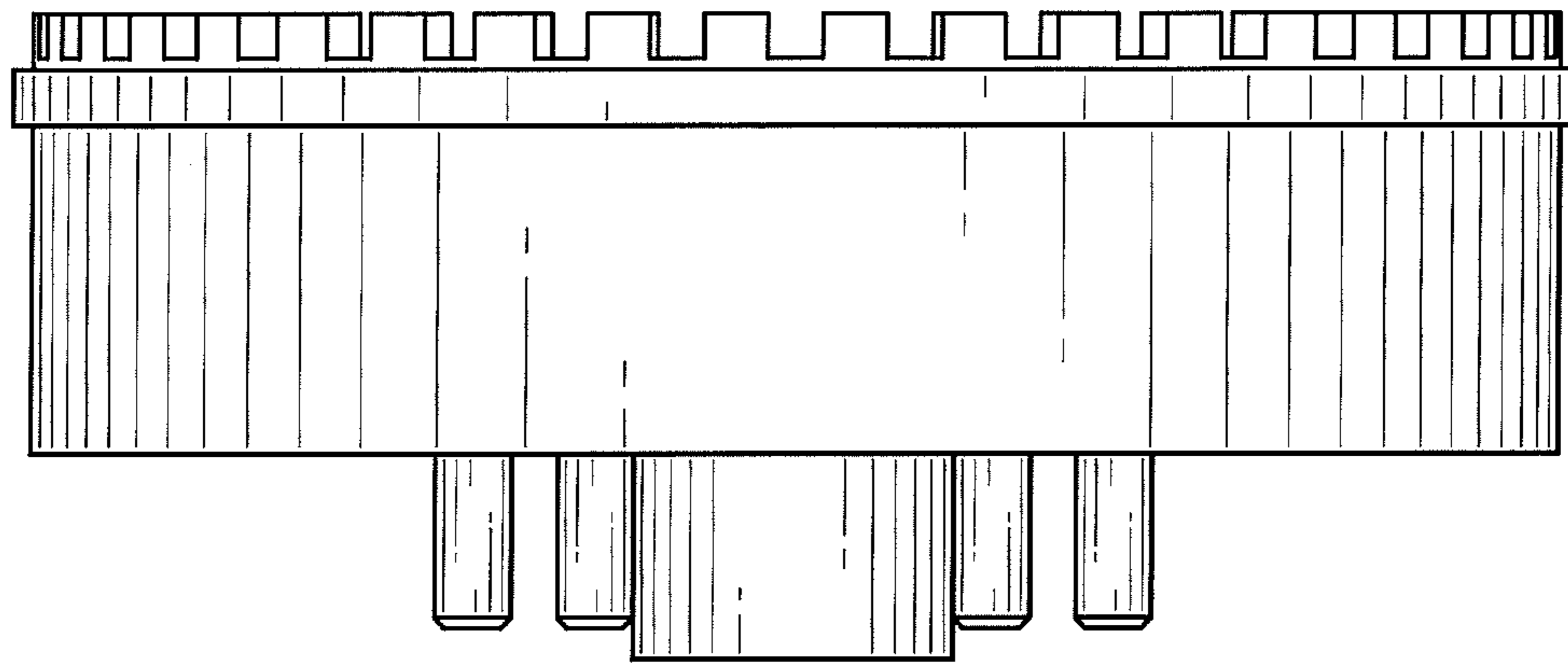


FIG-7

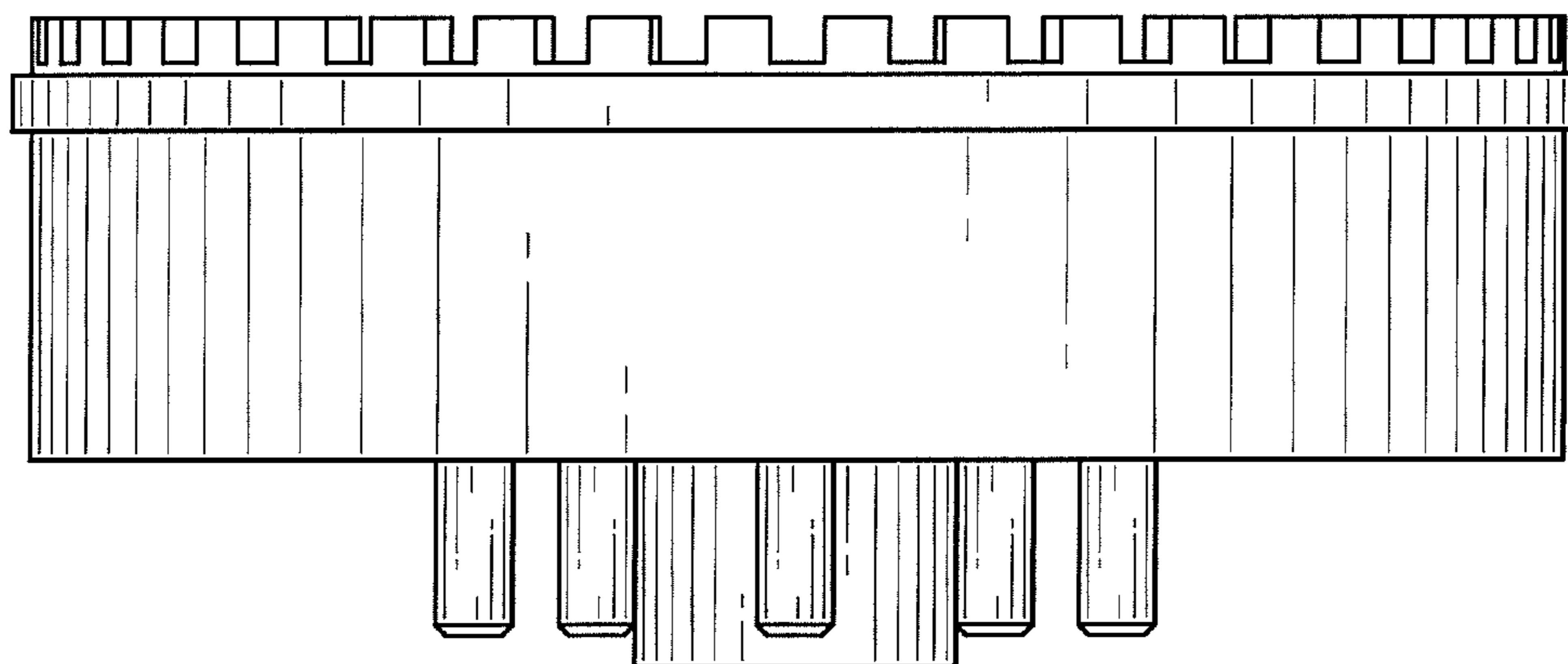


FIG-8

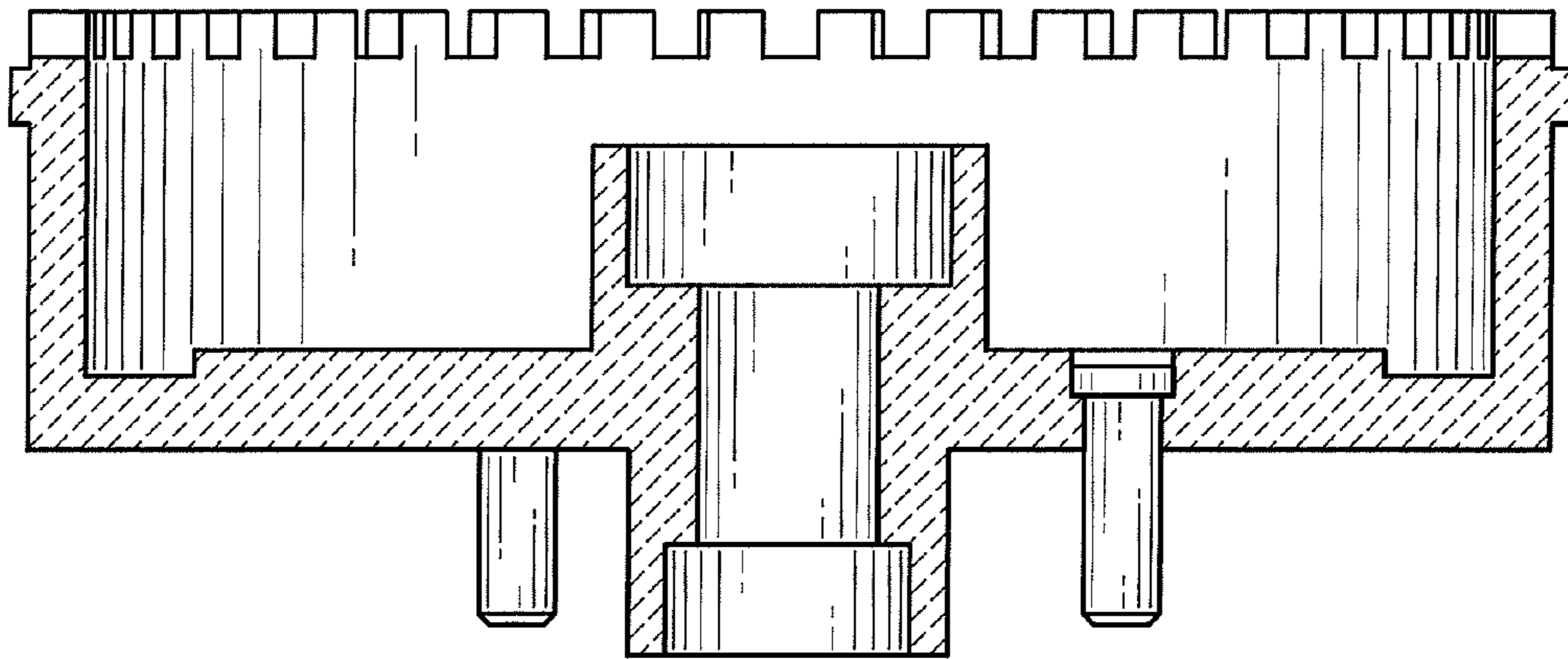


FIG-9