



US00D756274S

(12) **United States Design Patent**
Curic et al.

(10) **Patent No.:** **US D756,274 S**
(45) **Date of Patent:** **** May 17, 2016**

(54) **VEHICLE FRONT LOWER GRILLE**

(71) Applicant: **Ford Motor Company**, Dearborn, MI (US)

(72) Inventors: **Kemal Curic**, West Bloomfield, MI (US); **Darrell Behmer**, Novi, MI (US); **Christopher Svensson**, Clemsford (GB); **Moray Callum**, Ann Arbor, MI (US); **Joel Piaskowski**, Dusseldorf (DE)

(73) Assignee: **Ford Motor Company**, Dearborn, MI (US)

(**) Term: **14 Years**

(21) Appl. No.: **29/507,198**

(22) Filed: **Oct. 24, 2014**

(51) **LOC (10) Cl.** **12-16**

(52) **U.S. Cl.**
USPC **D12/169**

(58) **Field of Classification Search**
USPC D12/169, 216, 90-92, 86, 171, 196,
D12/163; 293/102, 113, 115, 117, 120;
296/180.1, 180.2
CPC . B60R 19/52; B60R 2019/25; B62D 25/0845
See application file for complete search history.

(56) **References Cited**

U.S. PATENT DOCUMENTS

D526,942 S * 8/2006 Delashaw D12/163
D557,183 S * 12/2007 Beigel D12/163
D565,477 S * 4/2008 Ishibashi D12/163
D575,686 S * 8/2008 Fukui D12/163
D578,938 S * 10/2008 Walter D12/163
D579,385 S * 10/2008 Schiavone D12/163

D627,272 S * 11/2010 Fisker D12/163
D681,515 S * 5/2013 Platto D12/163
D685,694 S * 7/2013 Platto D12/163
D691,930 S * 10/2013 Song D12/163
D740,185 S * 10/2015 Blanski D12/163

OTHER PUBLICATIONS

Ronan Glon. Ford Reveals one-off F-35-Inspired 2015 Mustang GT. Jul. 25, 2014 [online], [retrieved on Aug. 27, 2014] Retrieved from the Internet <URL: <http://www.leftlanenews.com/ford-mustang-gt-f-35-lightening-ii-edition.html>>.

2016 Ford Mustang SVT Spied Ring testing once again. [retrieved on Aug. 27, 2014] Retrieved from the Internet <URL: <http://www.worldcarfans.com/114071878374/2013-ford-mustang-svt-spied-ring-testing-once-again-html>>.

* cited by examiner

Primary Examiner — Melody Brown

(74) *Attorney, Agent, or Firm* — Damian Porcari

(57) **CLAIM**

The ornamental design for a vehicle front lower grille, as shown and described.

DESCRIPTION

FIG. 1 is a top front perspective view of the left vehicle front lower grille (the right vehicle front lower grille being a mirror image and is not shown);

FIG. 2 is a bottom front perspective view thereof;

FIG. 3 is a top rear perspective view thereof;

FIG. 4 is a front elevational view thereof;

FIG. 5 is a rear elevational view thereof;

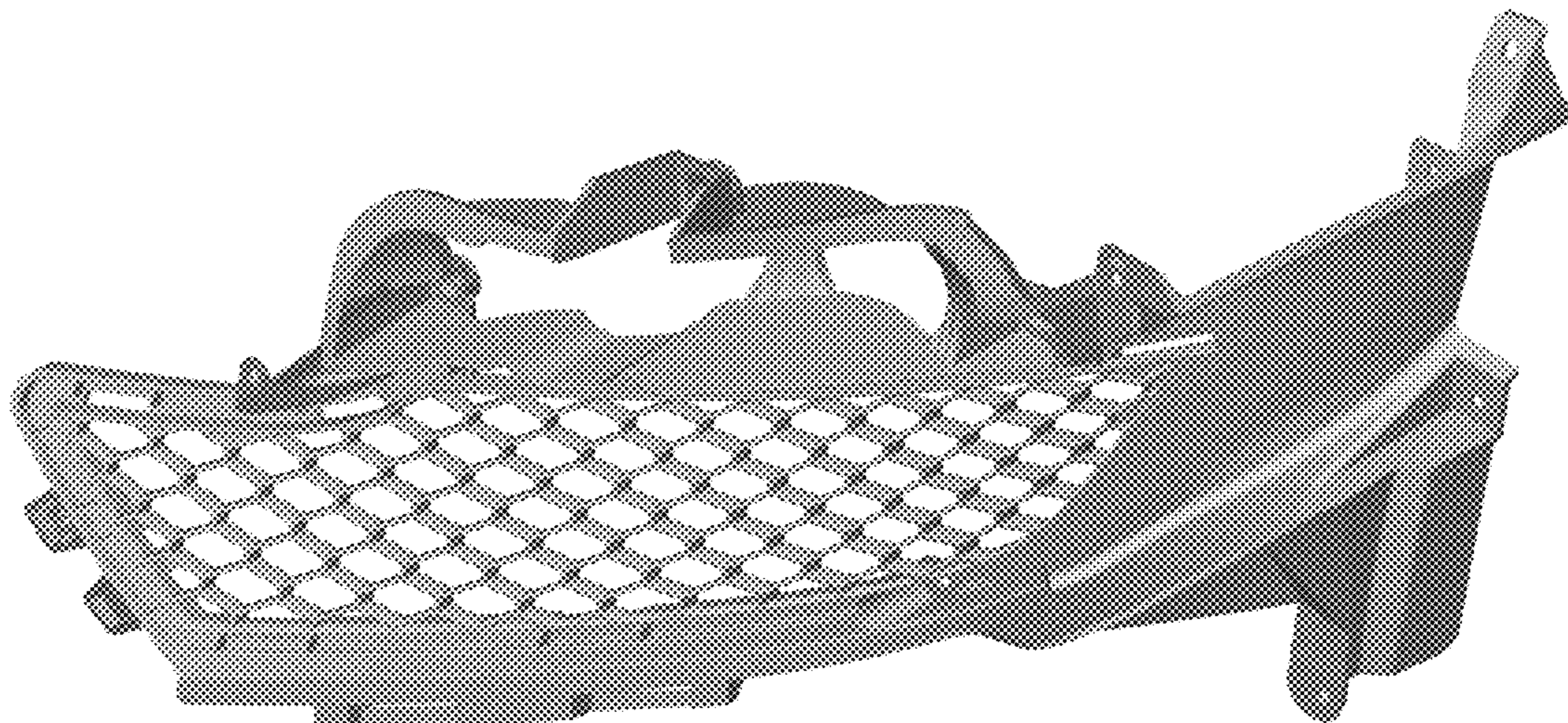
FIG. 6 is a left side elevational view thereof;

FIG. 7 is a right side elevational view thereof;

FIG. 8 is a top plan view thereof; and,

FIG. 9 is a bottom plan view thereof.

1 Claim, 9 Drawing Sheets



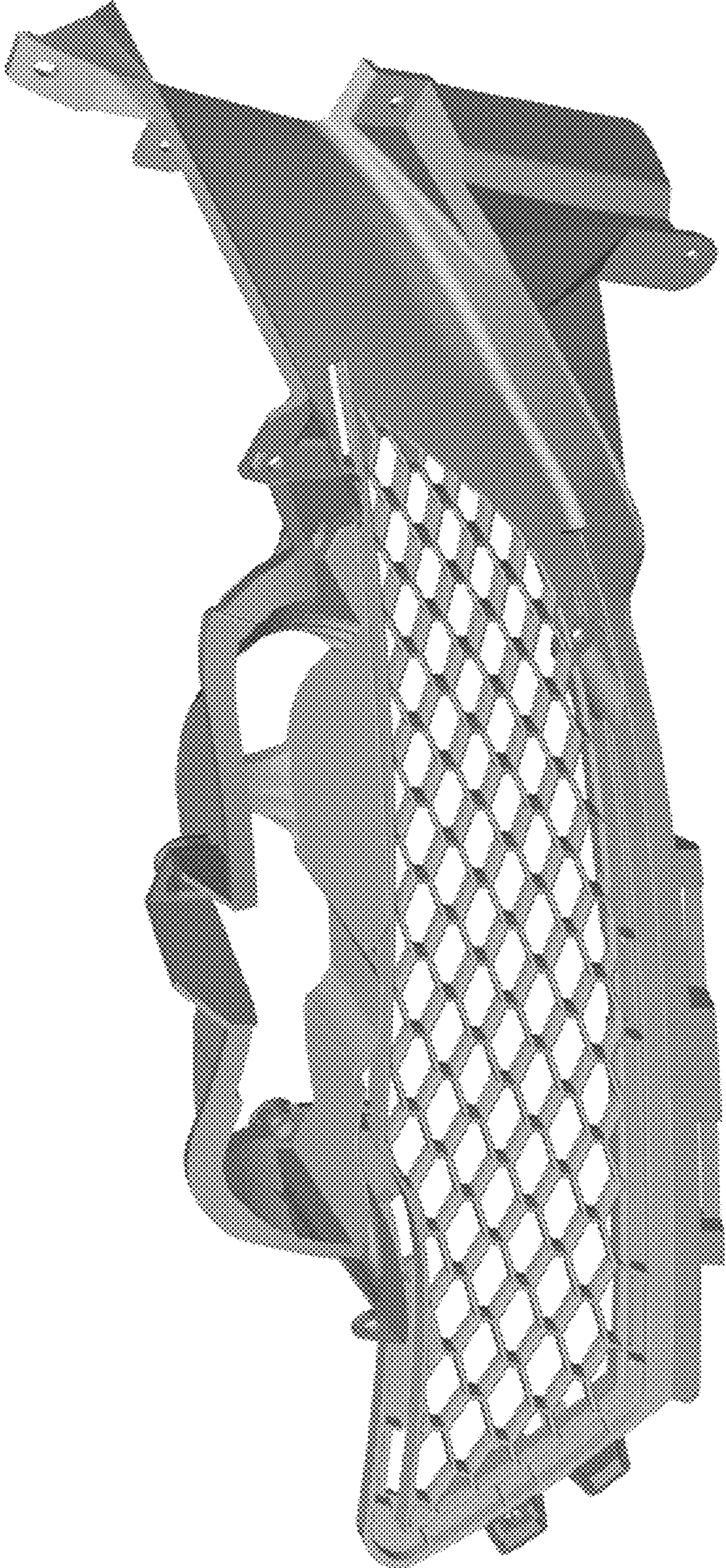


Figure 1

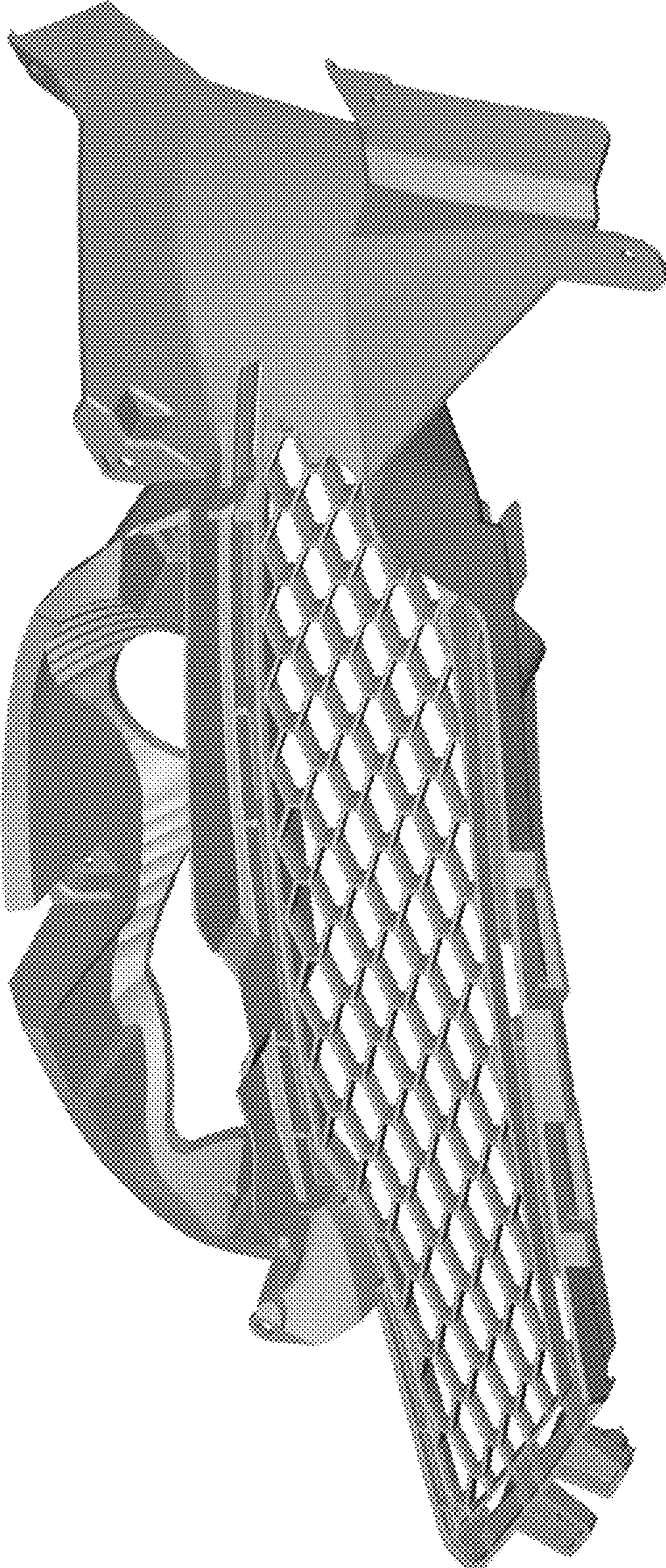


Figure 2

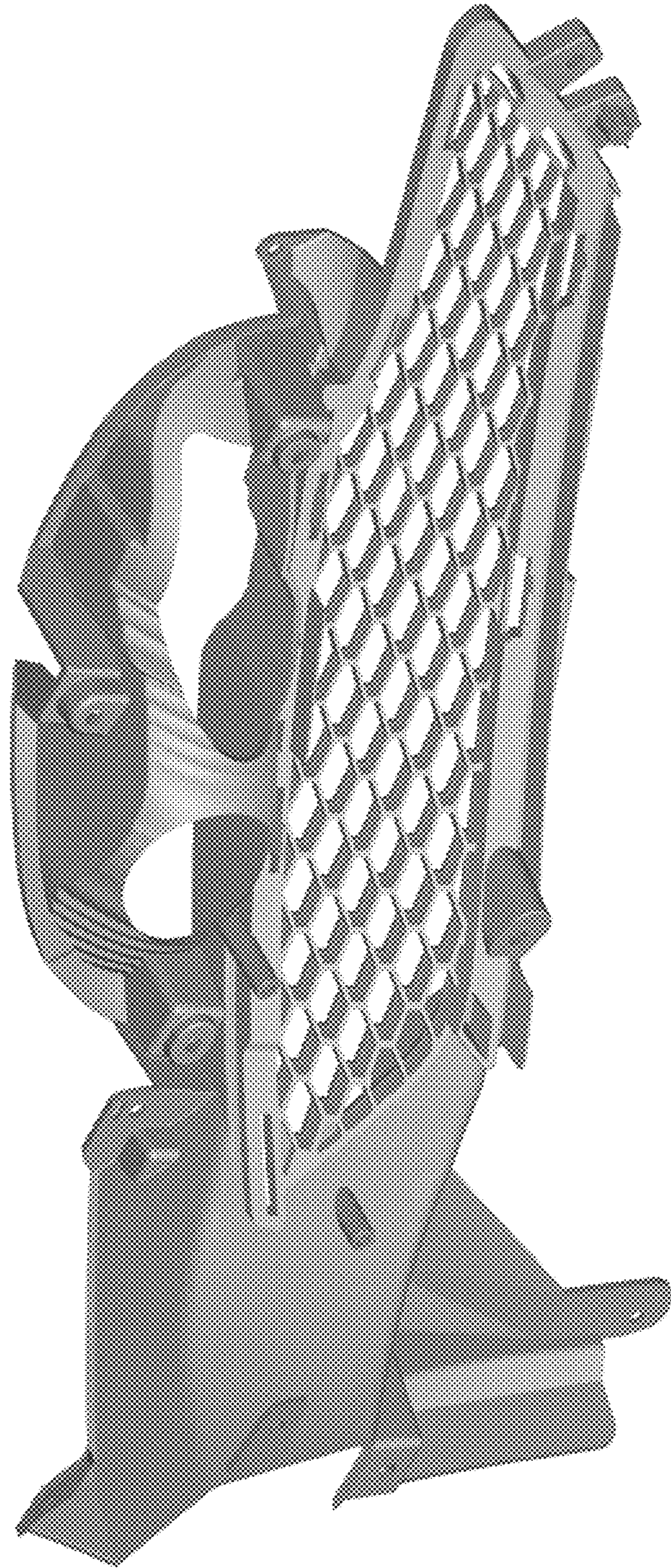


Figure 3



Figure 4

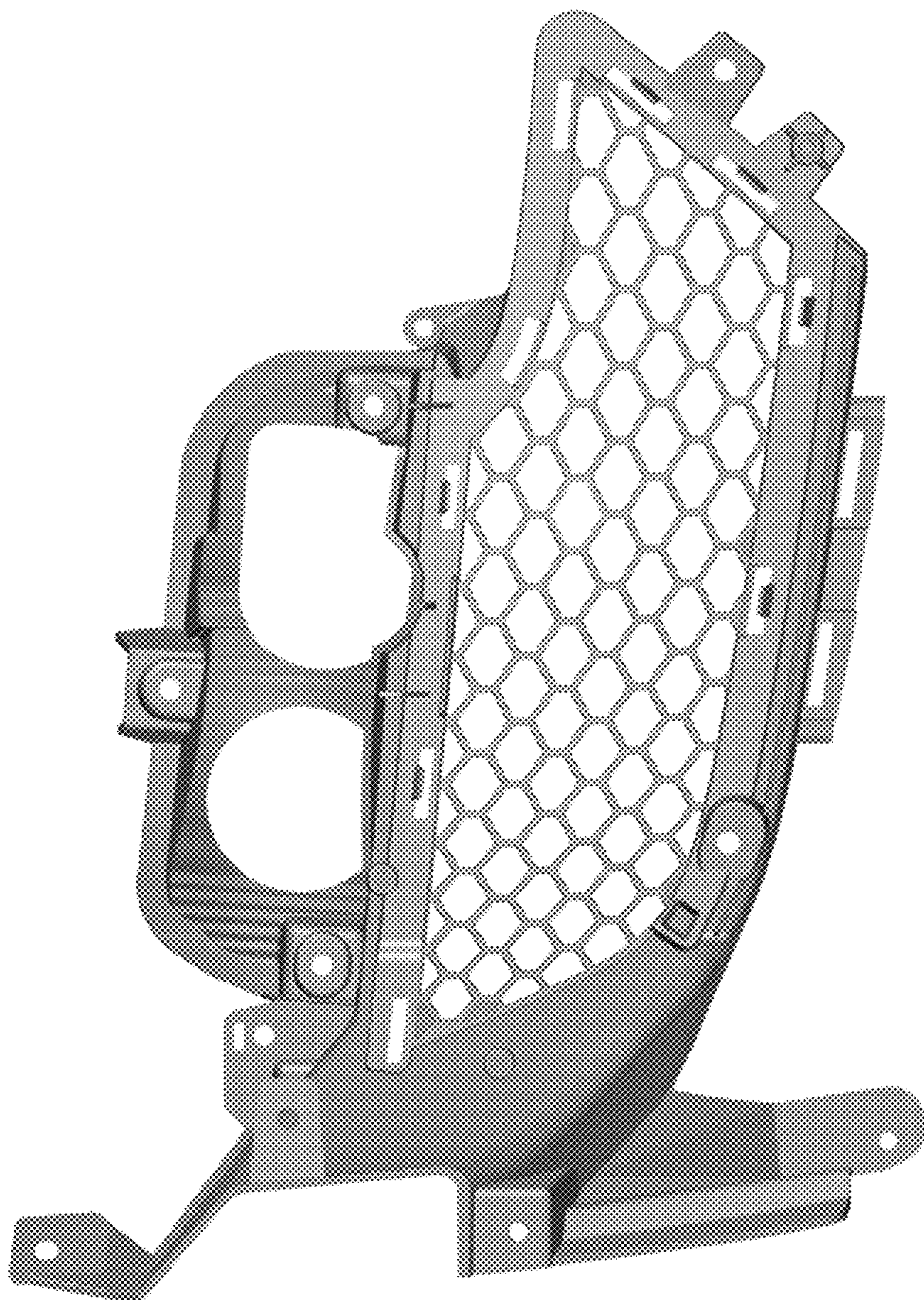


Figure 5

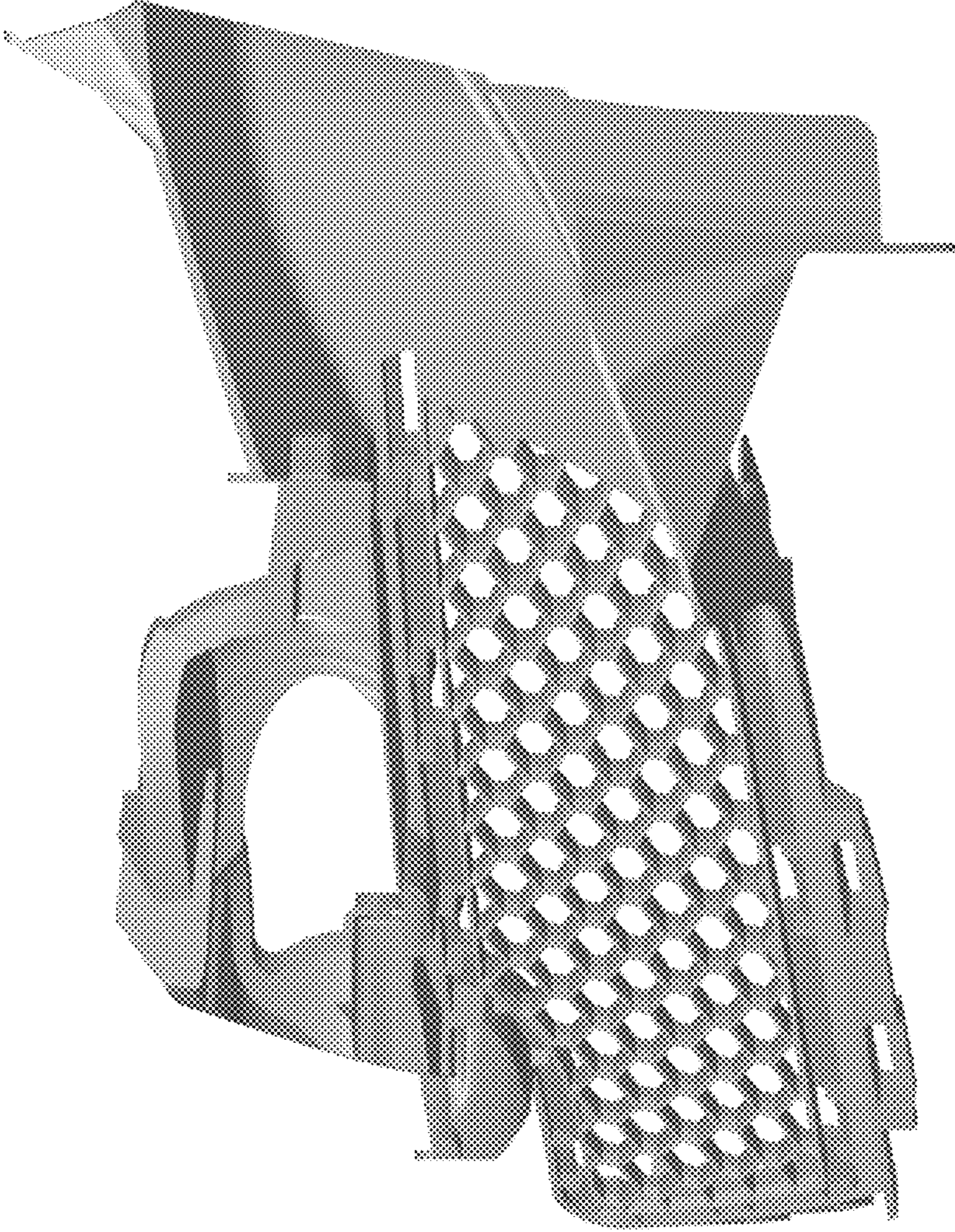


Figure 6

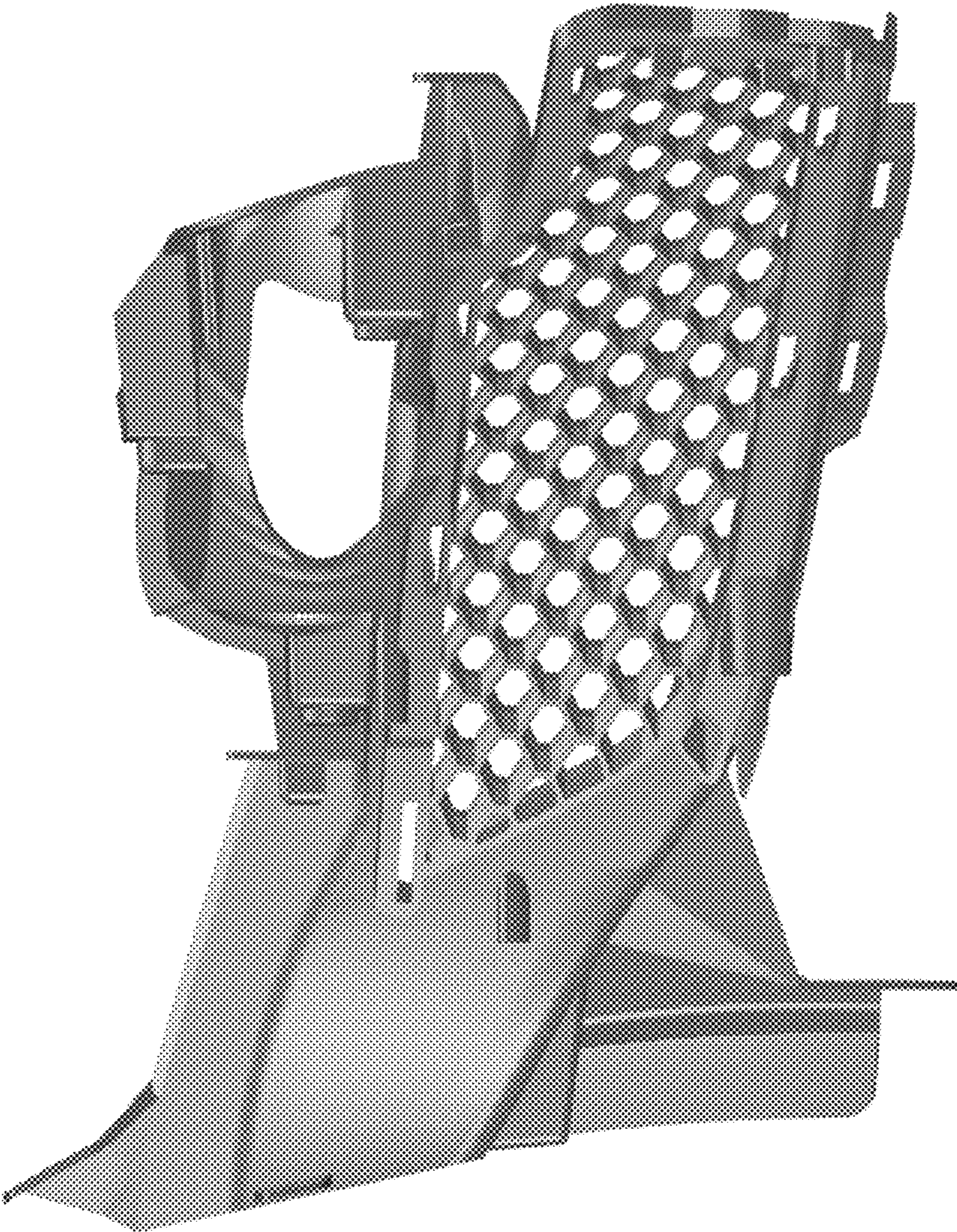


Figure 7

Figure 8

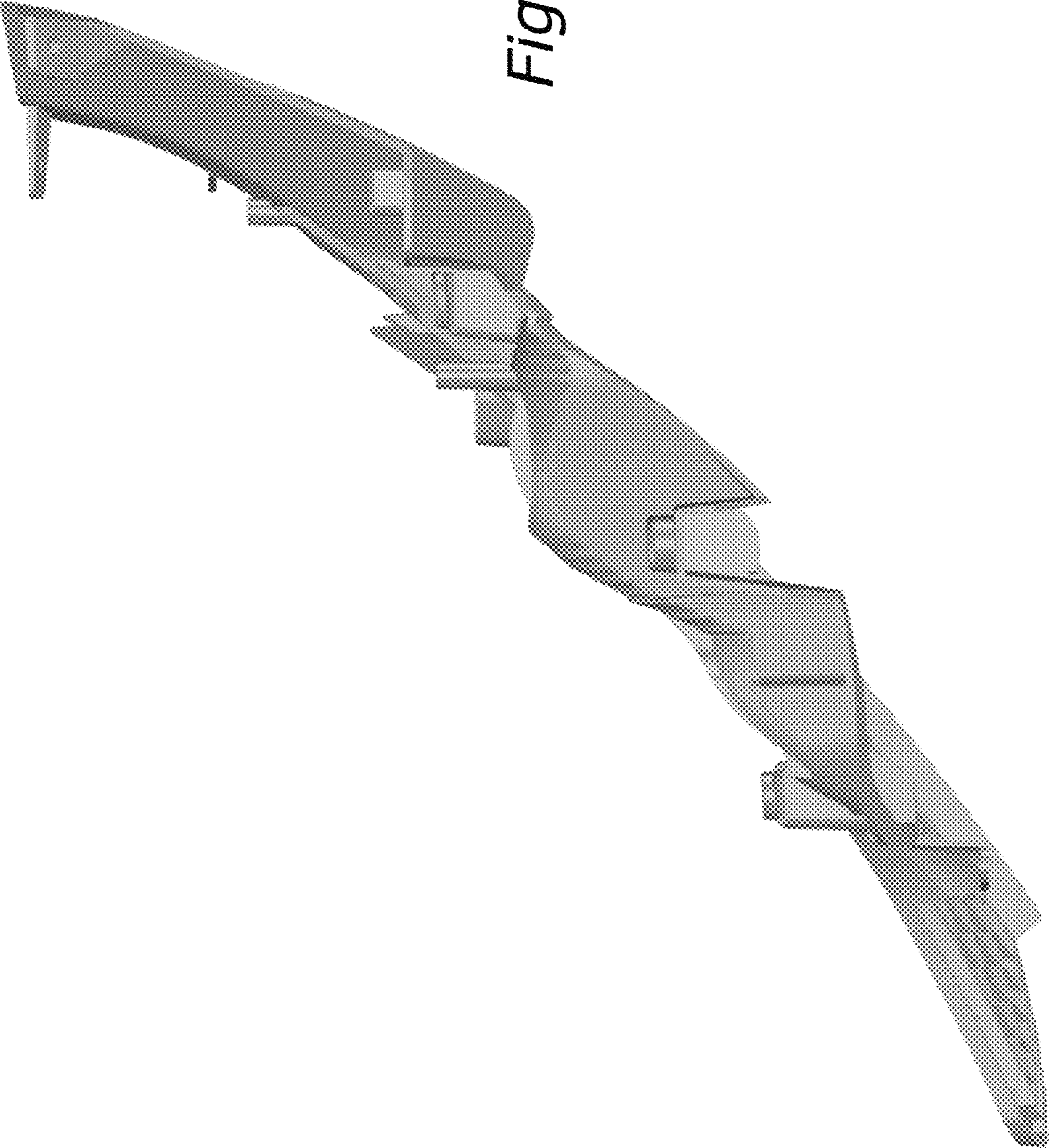


Figure 9

