



US00D756273S

(12) **United States Design Patent**
Platto et al.

(10) **Patent No.:** **US D756,273 S**

(45) **Date of Patent:** **** May 17, 2016**

(54) **VEHICLE FENDER VENT**

(71) Applicant: **Ford Motor Company**, Dearborn, MI (US)

(72) Inventors: **Gordon M Platto**, Troy, MI (US);
Bradley A Richards, Beverly Hills, MI (US); **Dong H Park**, Royal Oak, MI (US); **William K Moore**, West Bloomfield, MI (US)

(73) Assignee: **Ford Motor Company**, Dearborn, MI (US)

(**) Term: **14 Years**

(21) Appl. No.: **29/513,829**

(22) Filed: **Jan. 6, 2015**

(51) **LOC (10) Cl.** **12-16**

(52) **U.S. Cl.**
USPC **D12/163**

(58) **Field of Classification Search**
USPC D12/56, 90, 91, 92, 163, 164, 169, 196, D12/171, 173, 216; 180/68.1, 68.6; 296/187.09, 193.1; D15/89; D23/354, D23/371, 385, 387, 388, 393, 412; D25/155; D26/59, 72, 120, 121; D6/703.5, 409; 293/115; 454/155
CPC B63B 3/66; B60H 1/34; B60H 1/248; B60H 1/262; B60K 13/02; B60K 13/005; B60K 19/52; B60K 2019/525
See application file for complete search history.

(56) **References Cited**

U.S. PATENT DOCUMENTS

D394,035 S *	5/1998	Stosel	D12/163
D410,219 S *	5/1999	Bangle	D12/163
D429,195 S *	8/2000	Gabath	D12/163
D502,898 S *	3/2005	Delashaw	D12/163
D515,987 S *	2/2006	Yamamoto	D12/163
D526,942 S *	8/2006	Delashaw	D12/163

D540,228 S *	4/2007	Lai	D12/190
D540,229 S *	4/2007	Lai	D12/190
D545,729 S *	7/2007	Lee	D12/163
D548,158 S *	8/2007	Kulla	D12/196
D565,477 S *	4/2008	Ishibashi	D12/163
D566,022 S *	4/2008	Johnson	D12/190
D586,273 S *	2/2009	Hamburger	D12/181
D609,149 S *	2/2010	Larson	D12/181
D627,272 S *	11/2010	Fisker	D12/163
D647,829 S *	11/2011	Medina	D12/163
D647,830 S *	11/2011	Medina	D12/163
D678,133 S *	3/2013	Behmer	D12/163
D678,152 S *	3/2013	Behmer	D12/173
D684,902 S *	6/2013	Platto	D12/163
D685,691 S *	7/2013	Messale	D12/163
D685,694 S *	7/2013	Platto	D12/163
D686,116 S *	7/2013	Karras	D12/163
D686,543 S *	7/2013	Weil	D12/163
D696,165 S *	12/2013	Campbell	D12/163
2014/0014436 A1 *	1/2014	Nguyen	B64F 1/26 181/210

* cited by examiner

Primary Examiner — Philip S Hyder

Assistant Examiner — Darlington Ly

(74) *Attorney, Agent, or Firm* — Damian Porcari

(57) **CLAIM**

The ornamental design for a vehicle fender vent, as shown and described.

DESCRIPTION

FIG. 1 is a rear and left side perspective view of the vehicle fender vent showing our new design;
FIG. 2 is a front and left side perspective view thereof;
FIG. 3 is a top and right side perspective view thereof;
FIG. 4 is a front elevational view thereof;
FIG. 5 is a rear elevational view thereof;
FIG. 6 is a left side elevational view thereof;
FIG. 7 is a right side elevational view thereof;
FIG. 8 is a top plan view thereof; and,
FIG. 9 is a bottom plan view thereof.

1 Claim, 9 Drawing Sheets

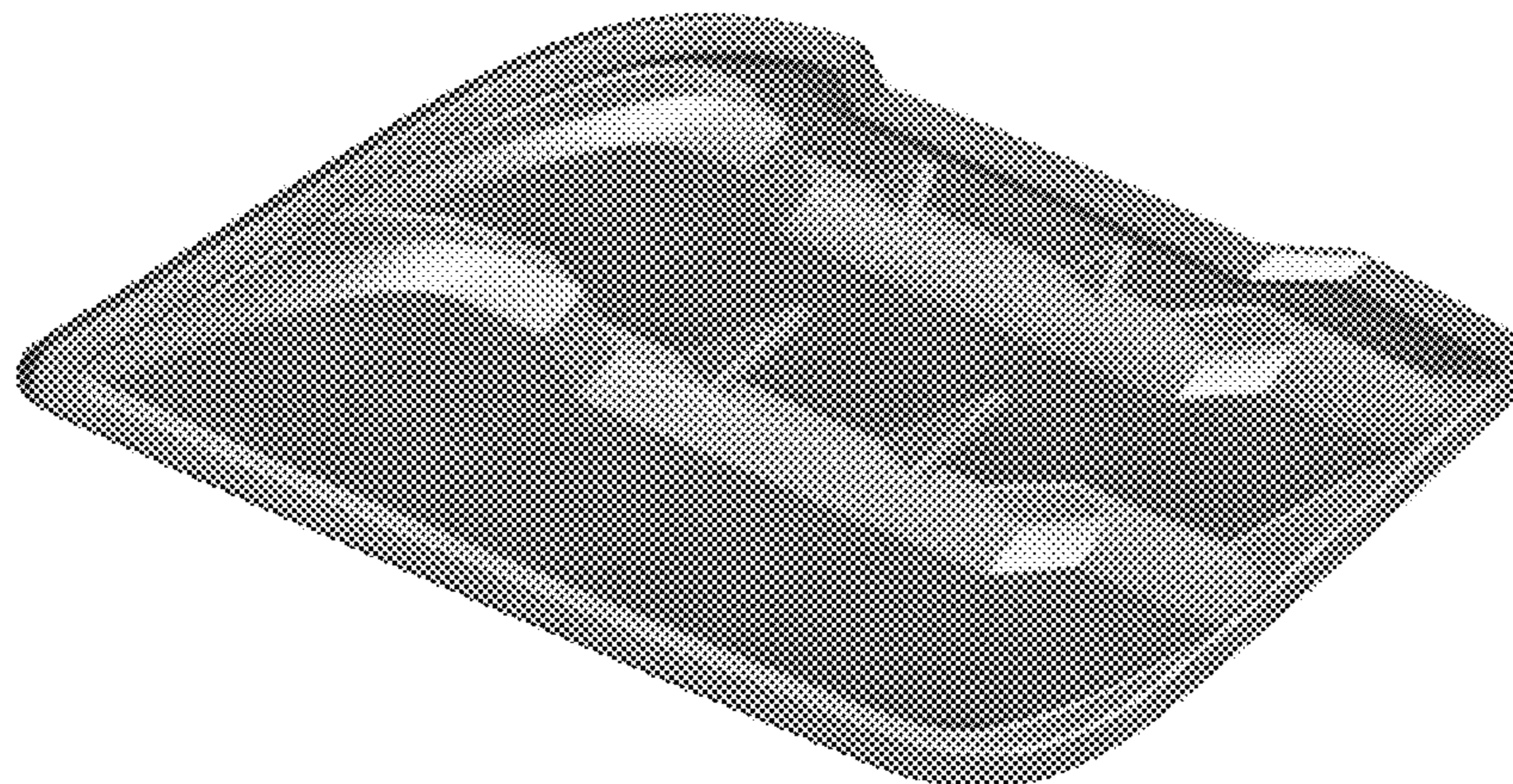
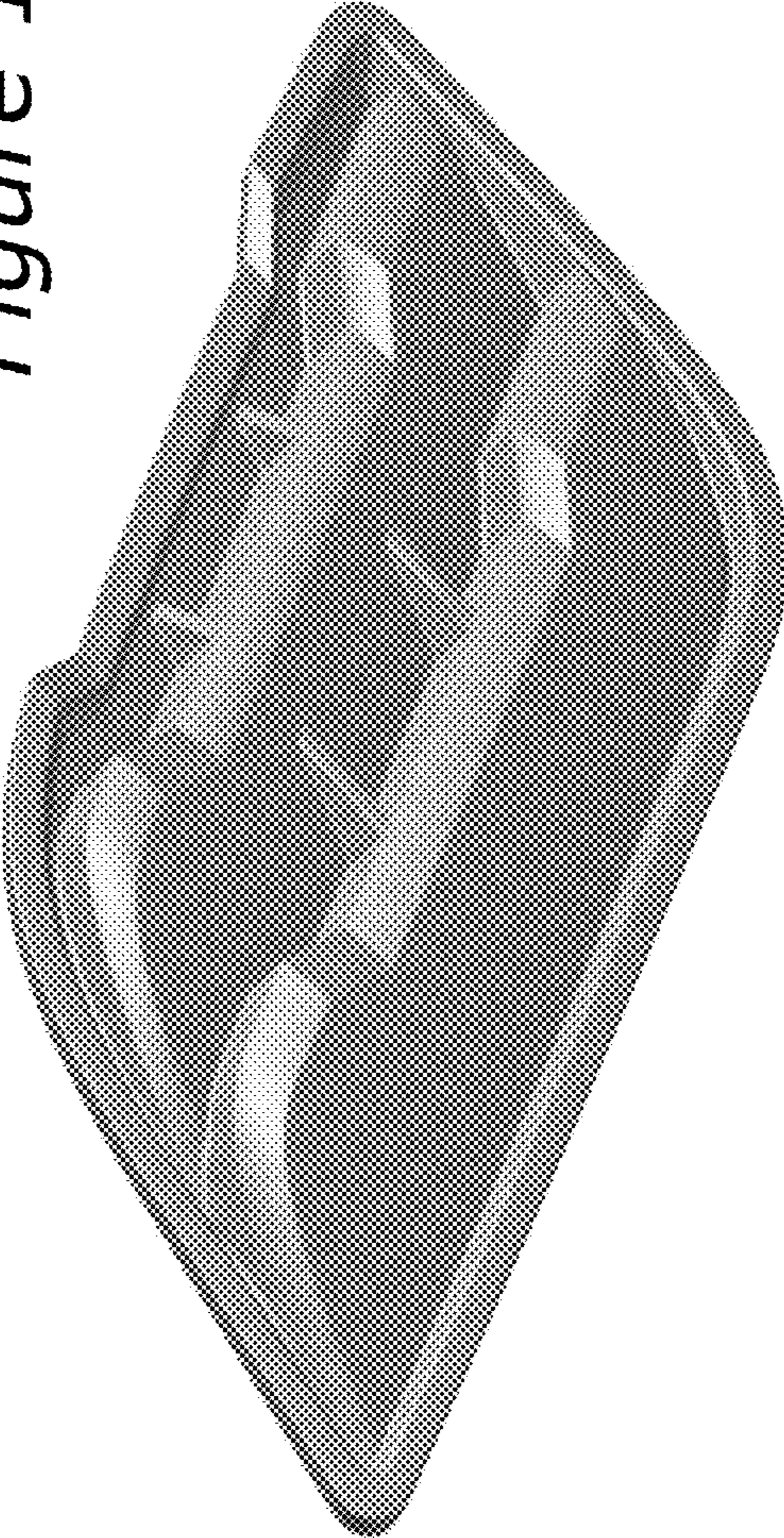


Figure 1



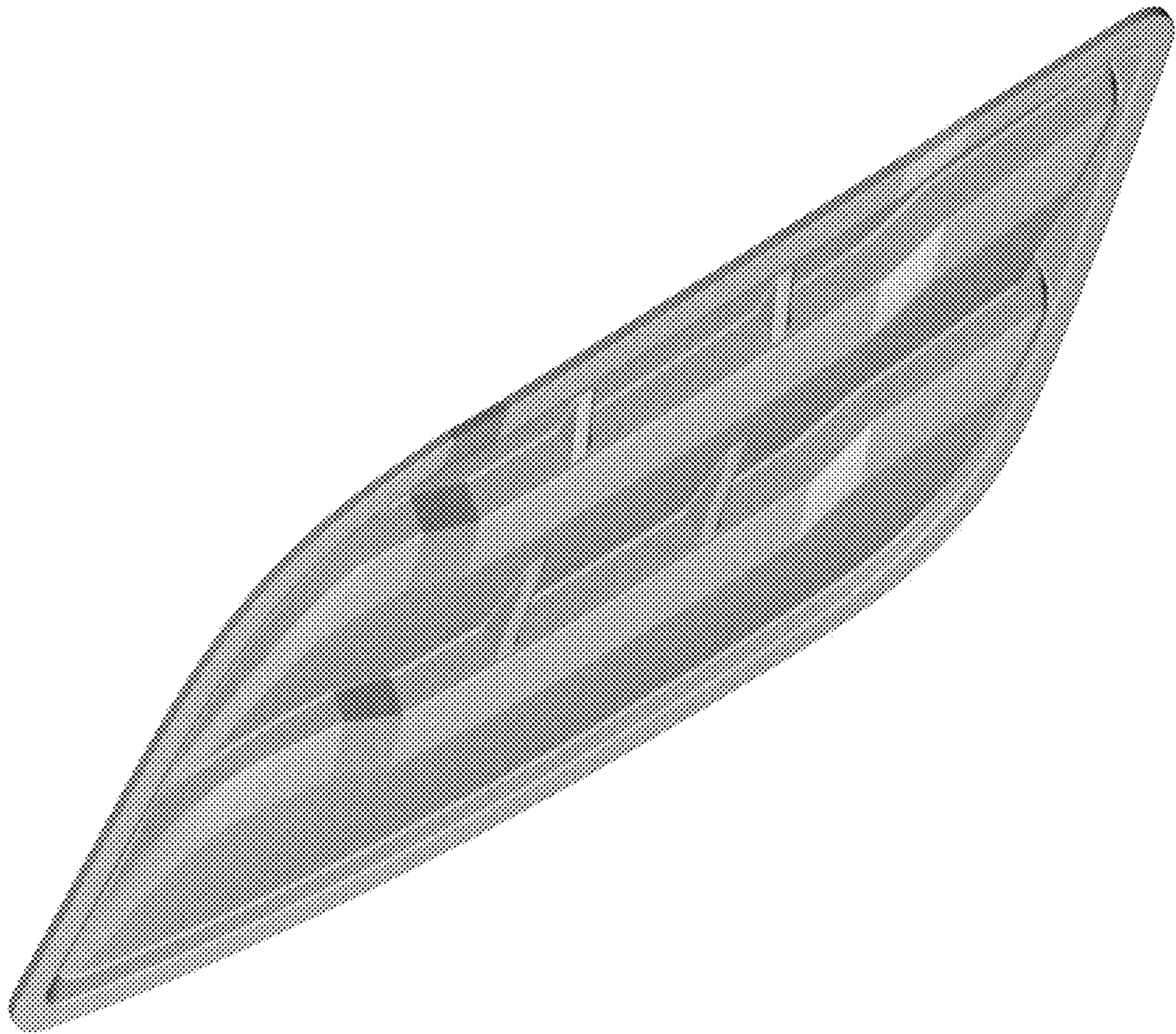


Figure 2



Figure 3

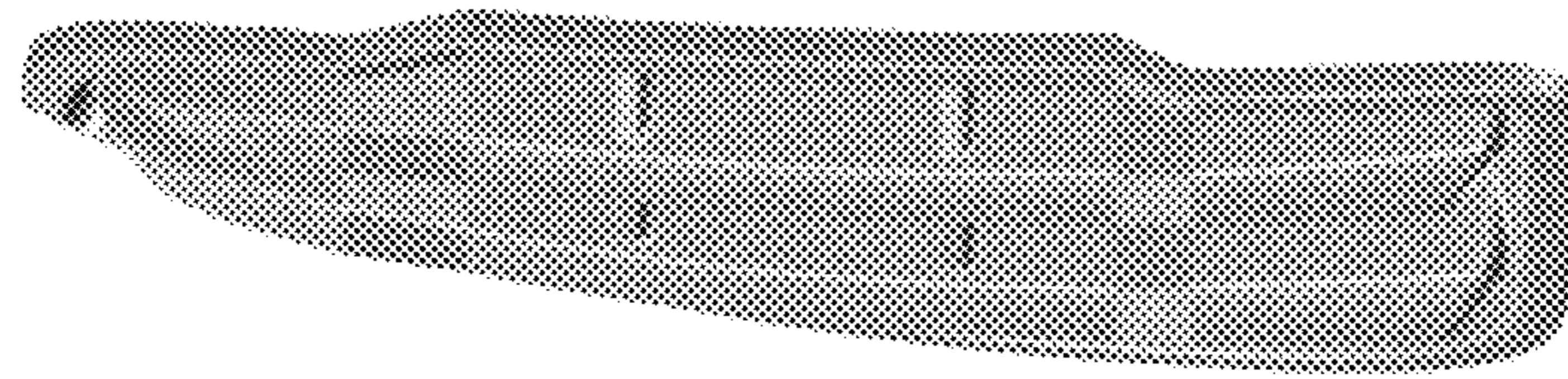


Figure 4

Figure 5

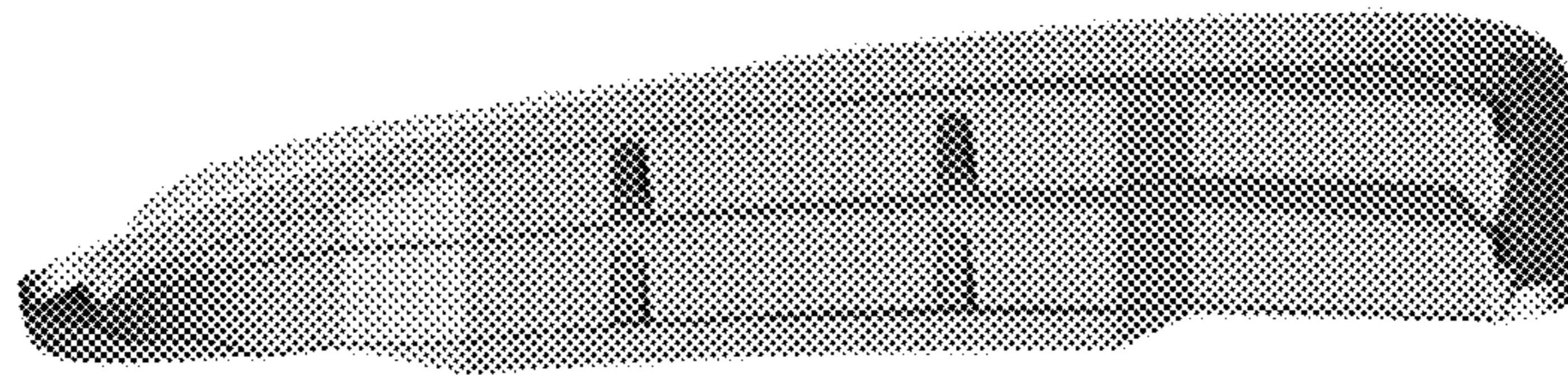
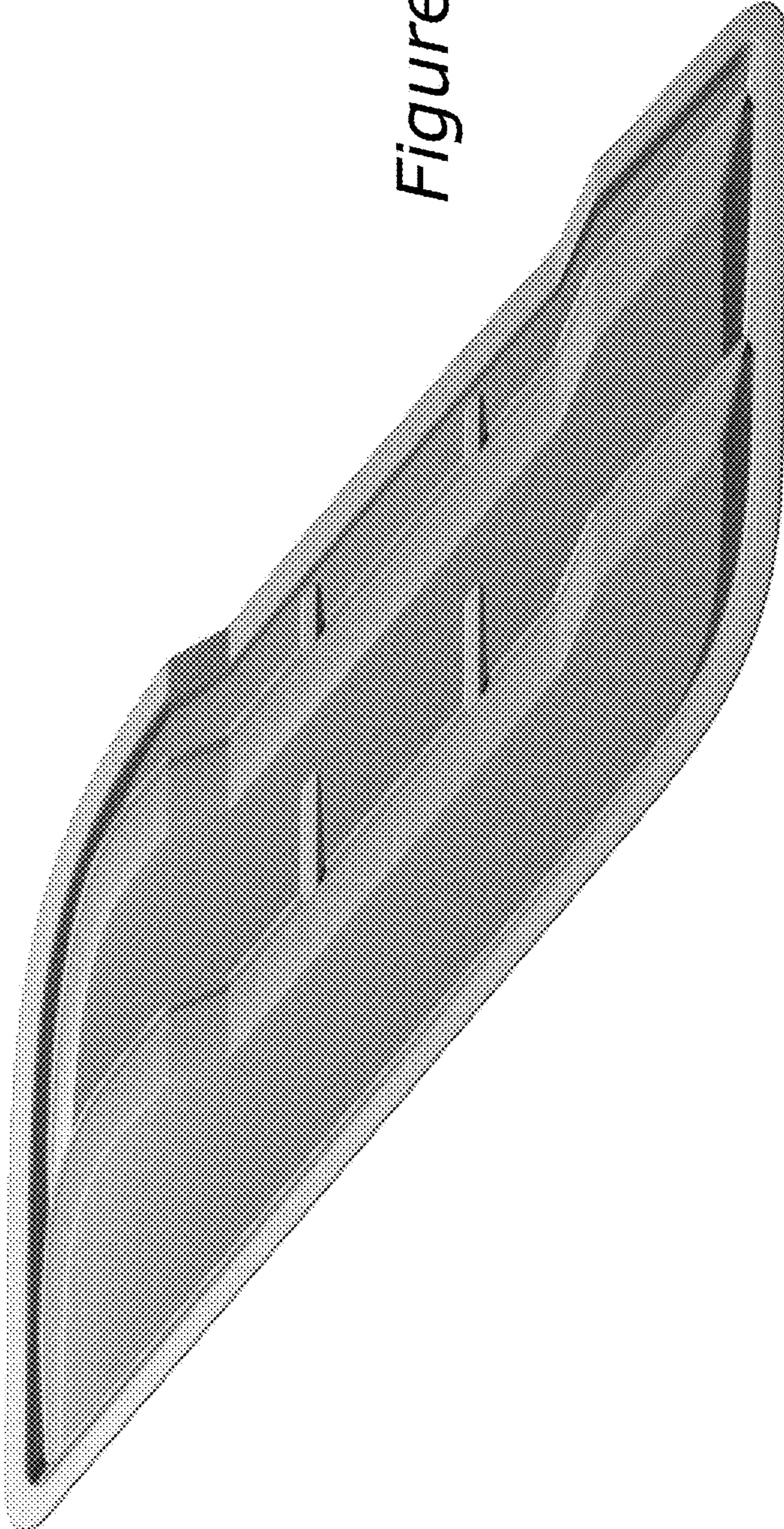


Figure 6



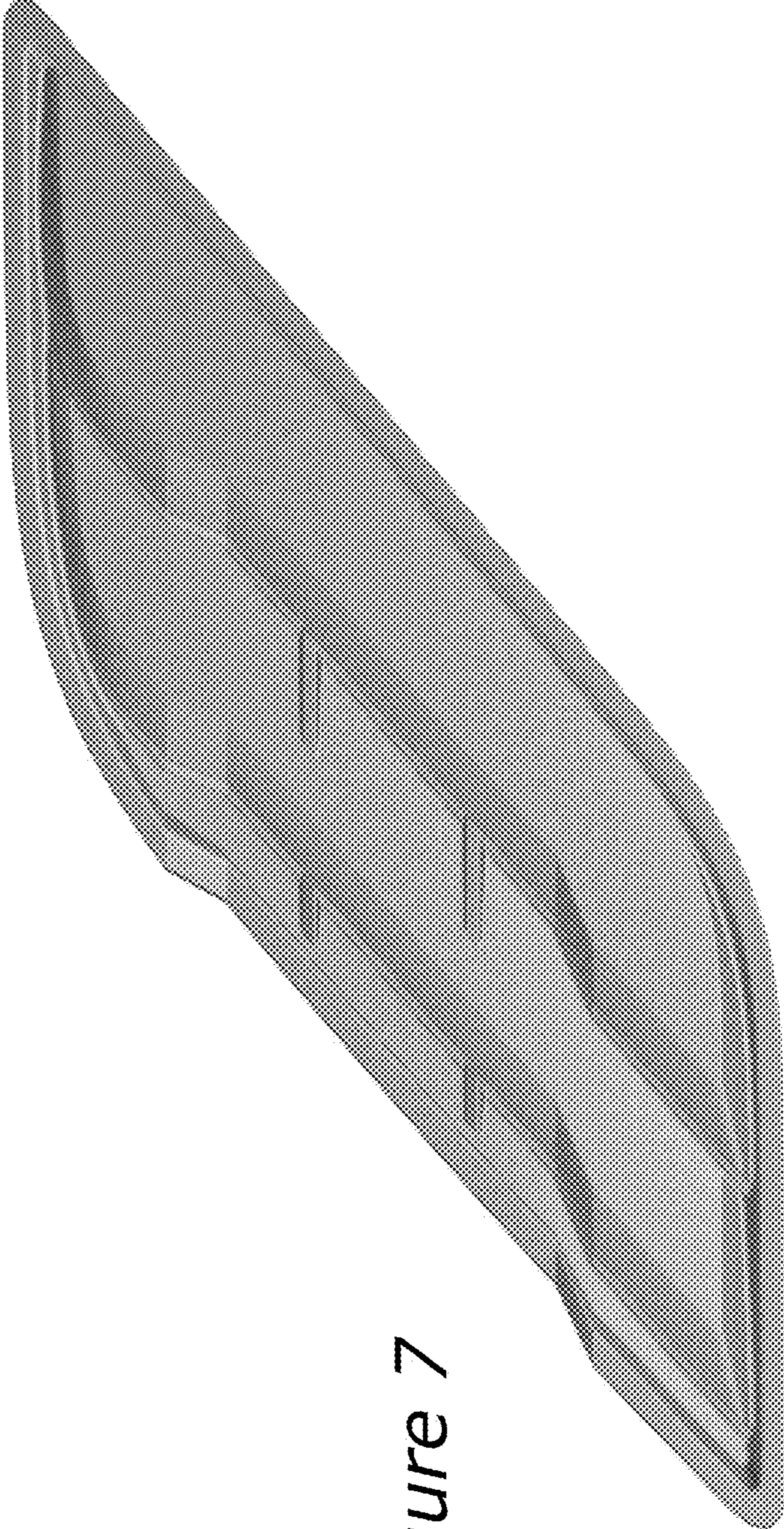


Figure 7

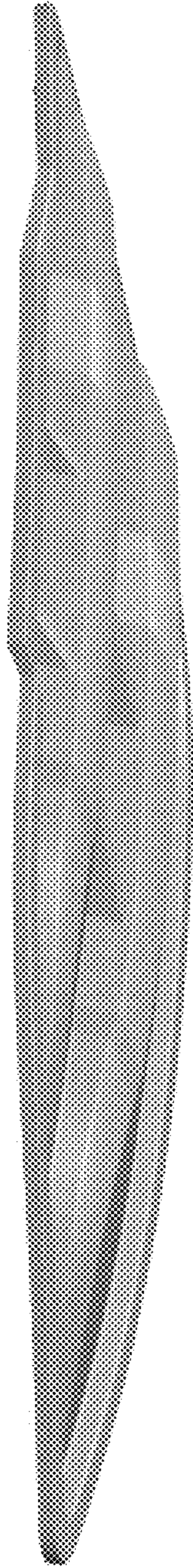


Figure 8

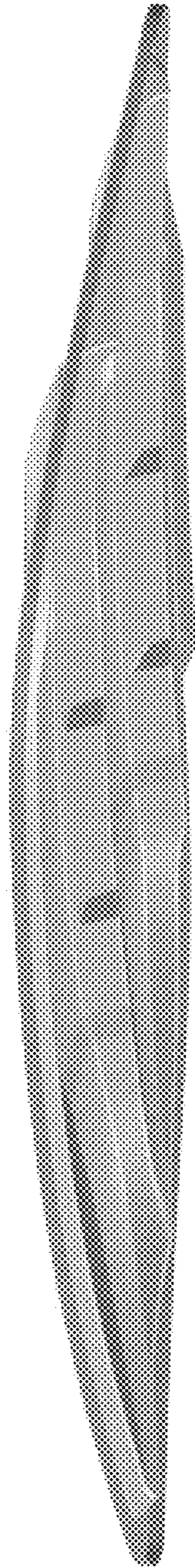


Figure 9