



US00D756272S

(12) **United States Design Patent**
Okubo

(10) **Patent No.:** **US D756,272 S**
(45) **Date of Patent:** **** May 17, 2016**

(54) **WHEELED WALKER**
(71) Applicant: **Yasuyoshi Okubo**, Nagano (JP)
(72) Inventor: **Yasuyoshi Okubo**, Nagano (JP)
(**) Term: **14 Years**
(21) Appl. No.: **29/494,550**
(22) Filed: **Jun. 21, 2014**

6,848,696 B2 * 2/2005 Miller A61H 3/04
135/67
D517,455 S * 3/2006 Allen D12/130
7,287,767 B1 * 10/2007 Gomes B62K 3/16
280/87.021
7,311,319 B1 * 12/2007 Ortega A61H 3/04
280/87.021
D589,410 S * 3/2009 Ramm D12/130
D594,792 S * 6/2009 Shimodaira D12/130
D597,451 S * 8/2009 Ramm D12/130
D618,140 S * 6/2010 Sanderson D12/130

* cited by examiner

Primary Examiner — Susan Bennett Hattan

Assistant Examiner — Charles Hanson

(30) **Foreign Application Priority Data**
Dec. 26, 2013 (JP) D2013-030509
(51) **LOC (10) Cl.** **12-12**
(52) **U.S. Cl.**
USPC **D12/130**
(58) **Field of Classification Search**
USPC D12/130
CPC A61H 3/00; A61H 3/04; A61H
2003/001–2003/007; A61H 2003/043; A61H
2003/046
See application file for complete search history.

(57) **CLAIM**
The ornamental design for a wheeled walker, as shown and described.

DESCRIPTION

FIG. 1 is a perspective view of a wheeled walker showing my new design;
FIG. 2 is a front elevational view thereof;
FIG. 3 is a rear elevational view thereof;
FIG. 4 is a left side elevational view thereof;
FIG. 5 is a right side elevational view thereof; and
FIG. 6 is a top plan view thereof; and,
FIG. 7 is a bottom plan view thereof in an open position.
The broken line showing in FIG. 7 is included for the purpose of illustrating a portion of the wheeled walker that forms no part of the claimed design.

(56) **References Cited**
U.S. PATENT DOCUMENTS
4,029,329 A * 6/1977 Chambers B62K 9/02
280/272
D363,904 S * 11/1995 Stone D12/128

1 Claim, 7 Drawing Sheets

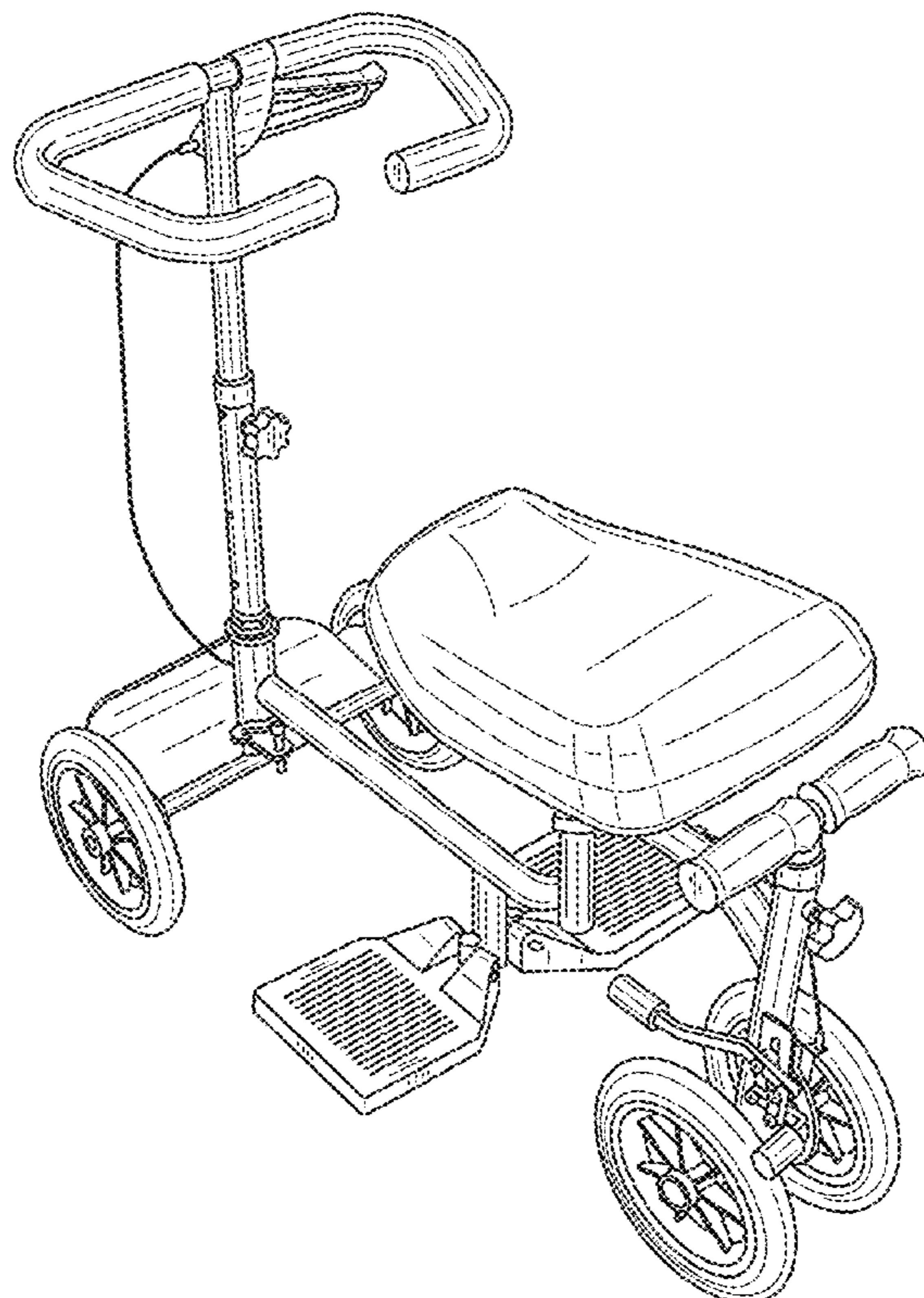


FIG. 1

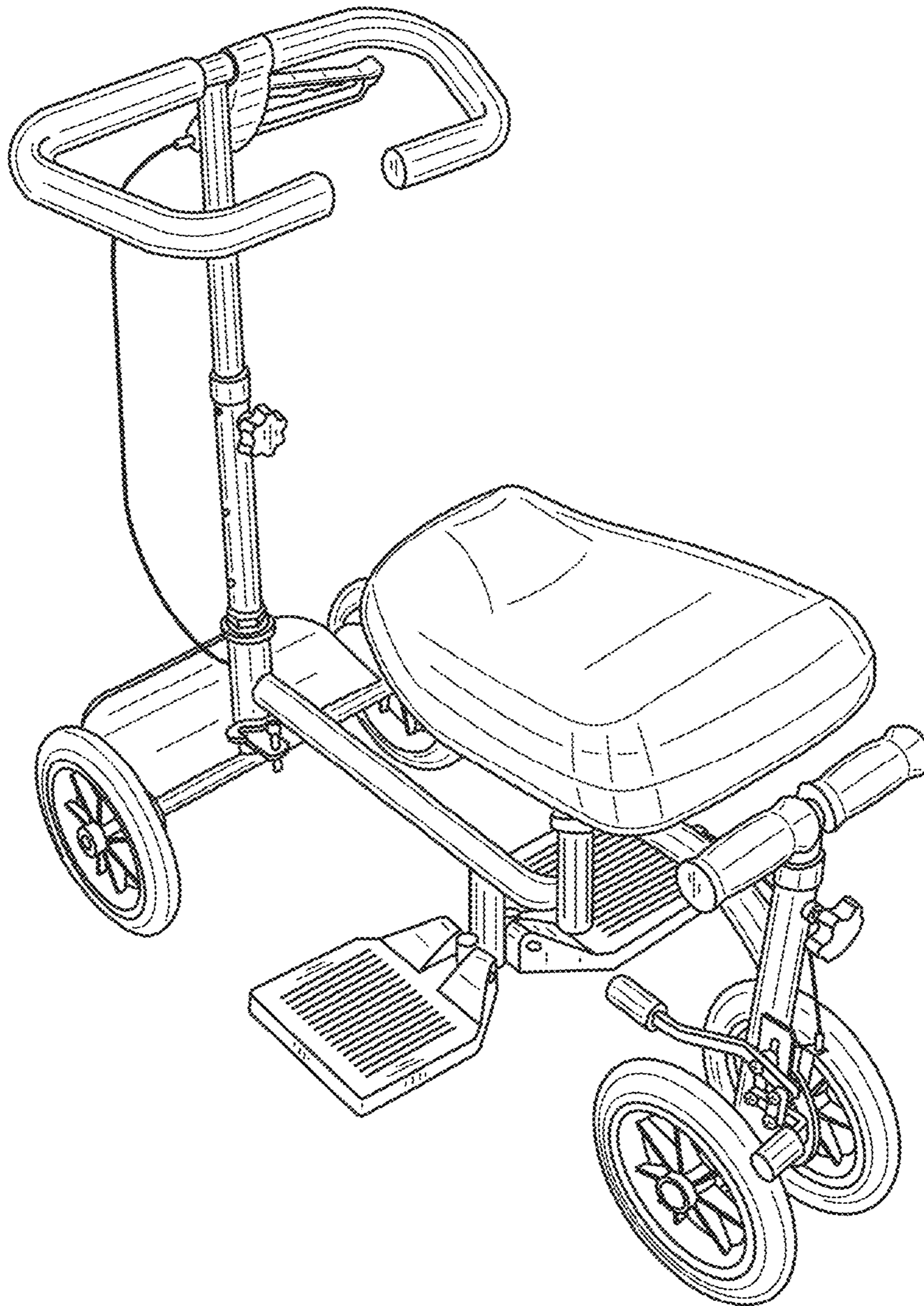


FIG.2

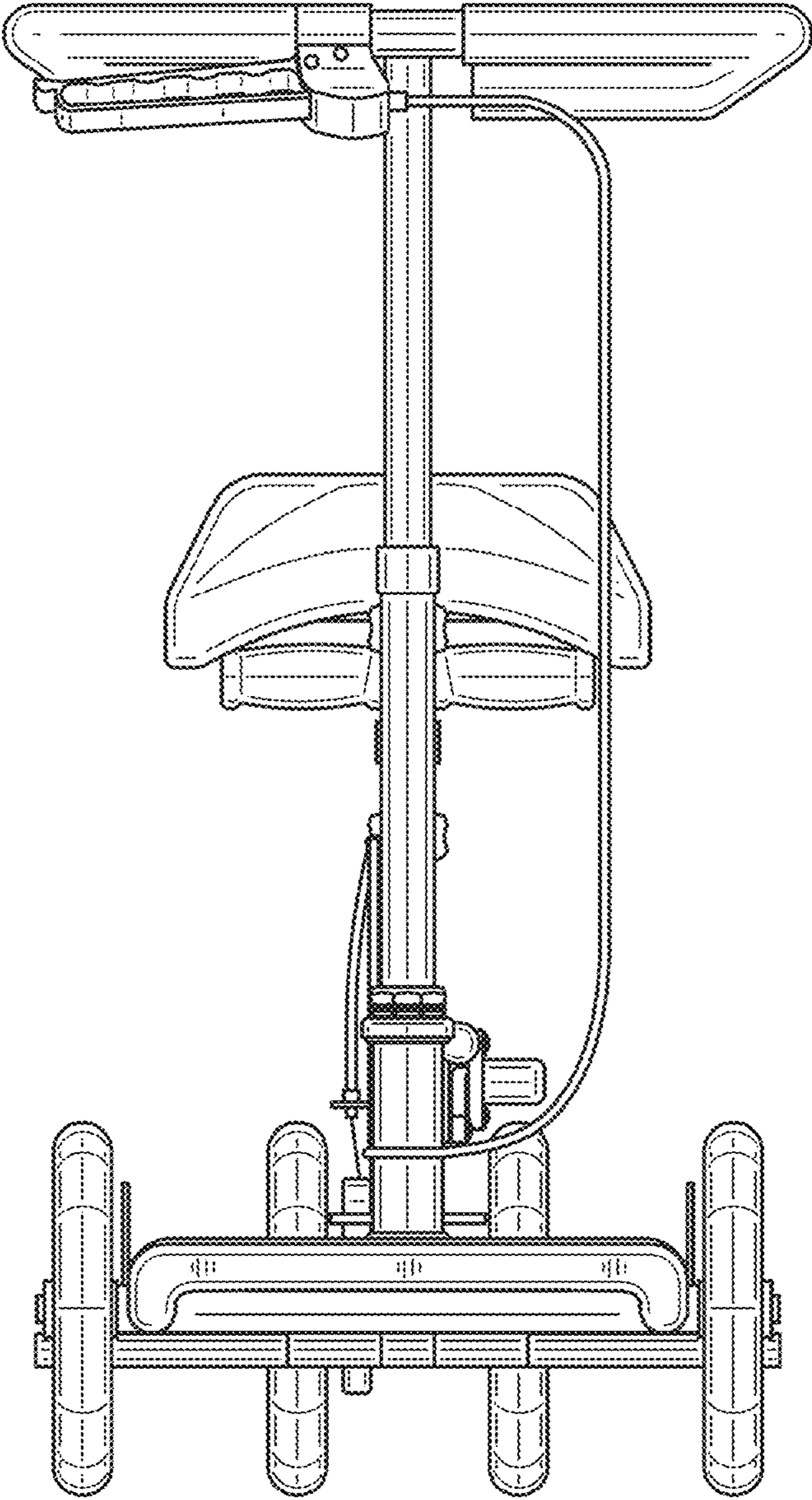


FIG.3

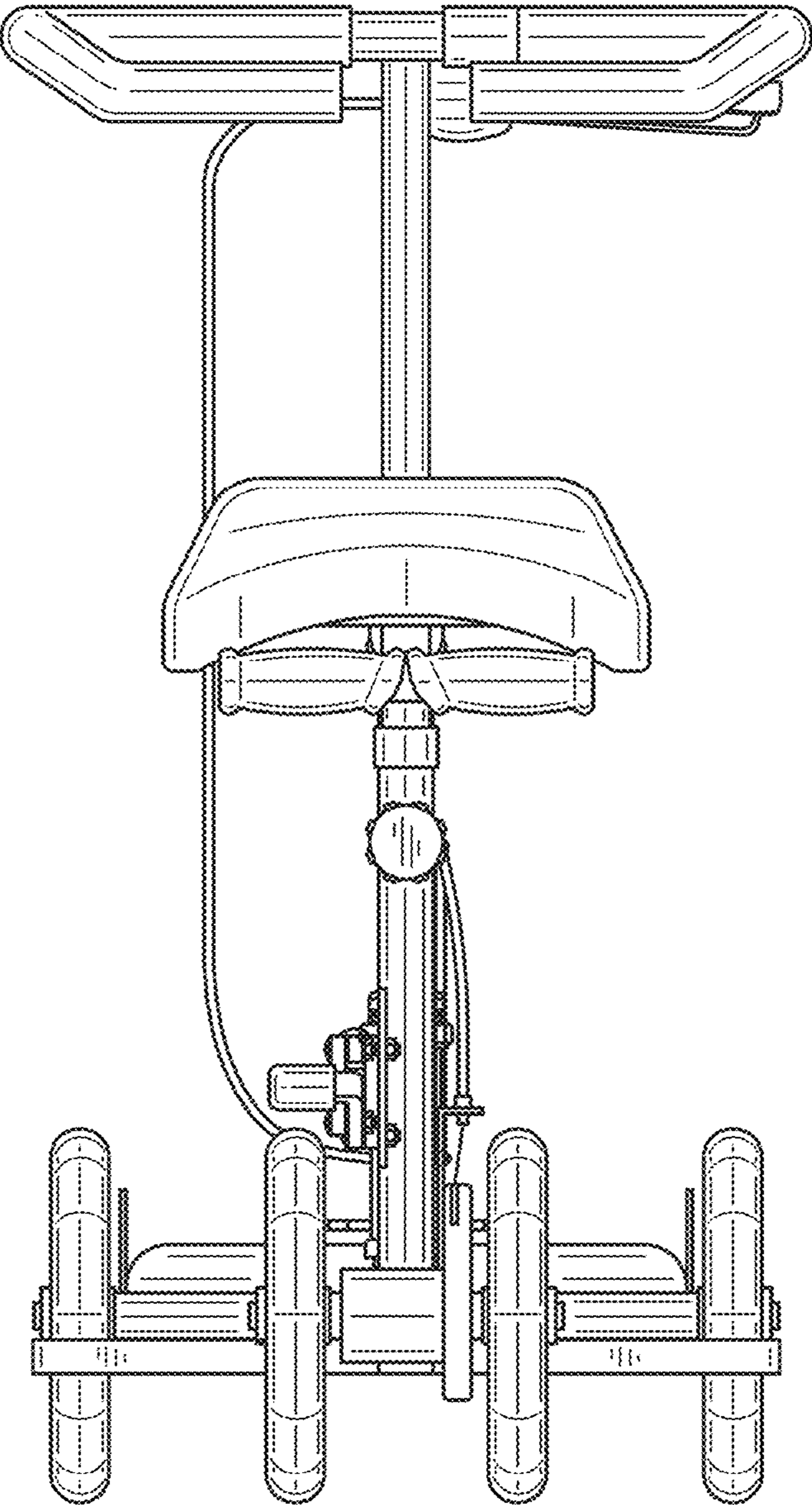


FIG.4

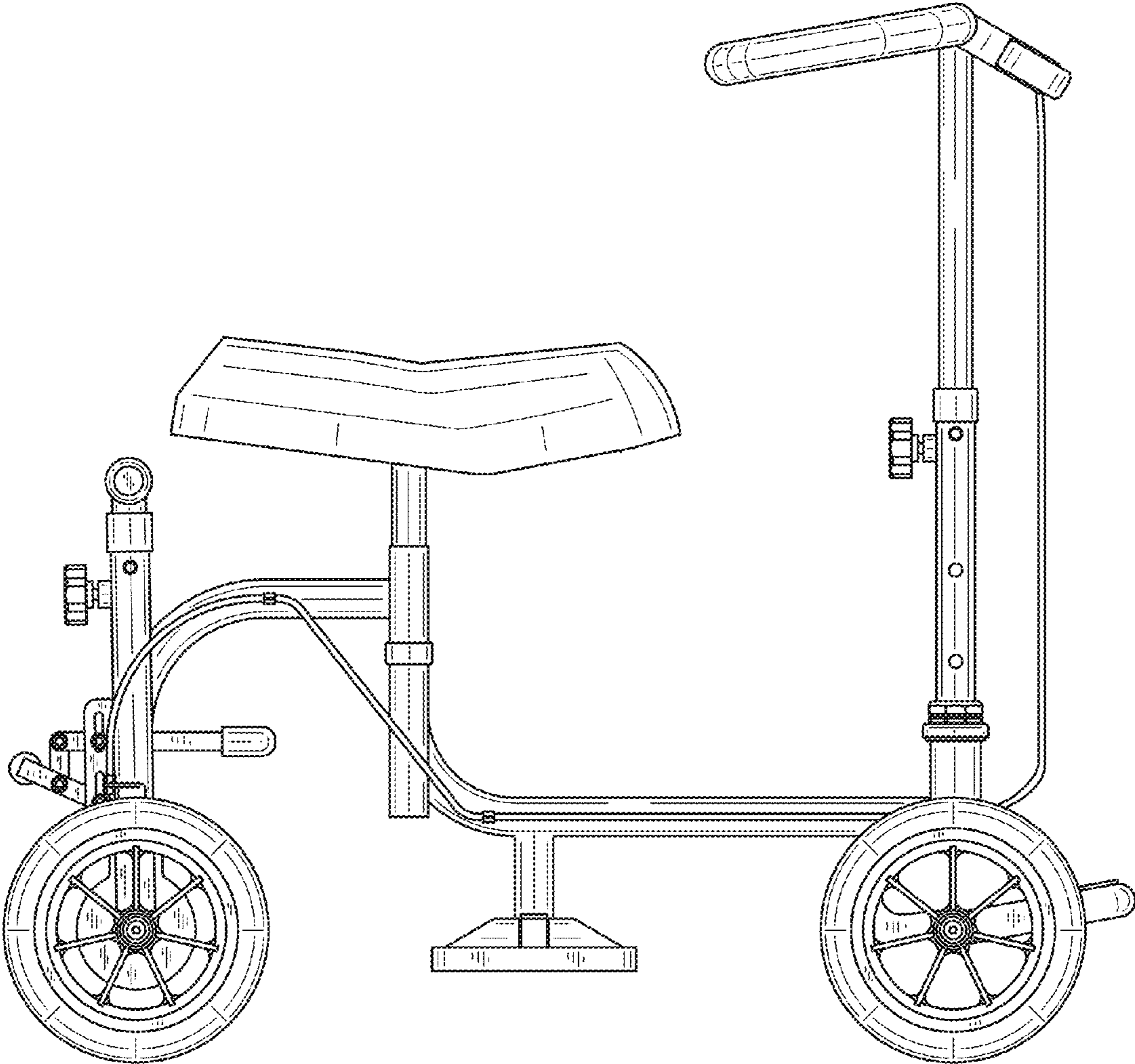


FIG.5

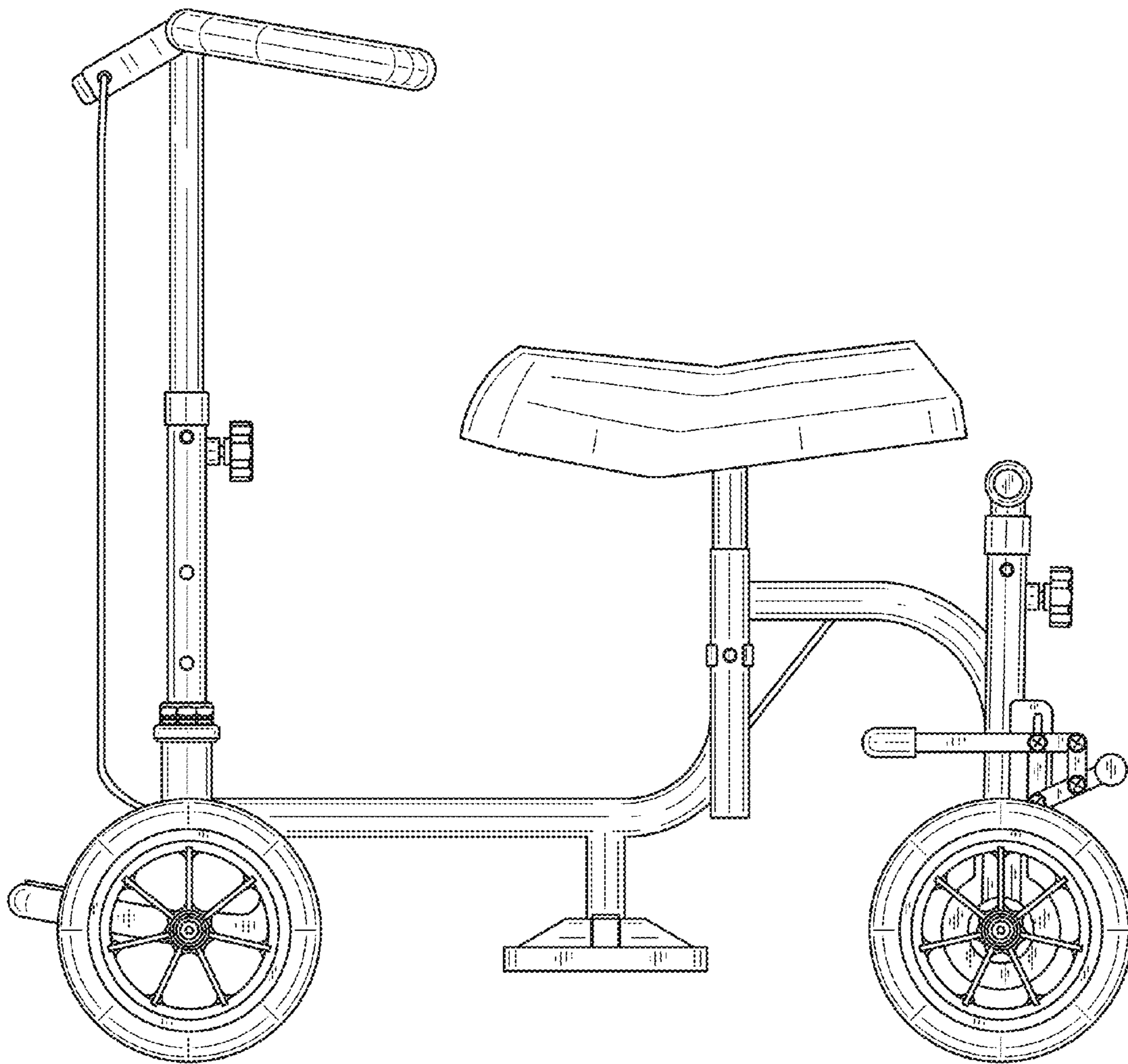


FIG.6

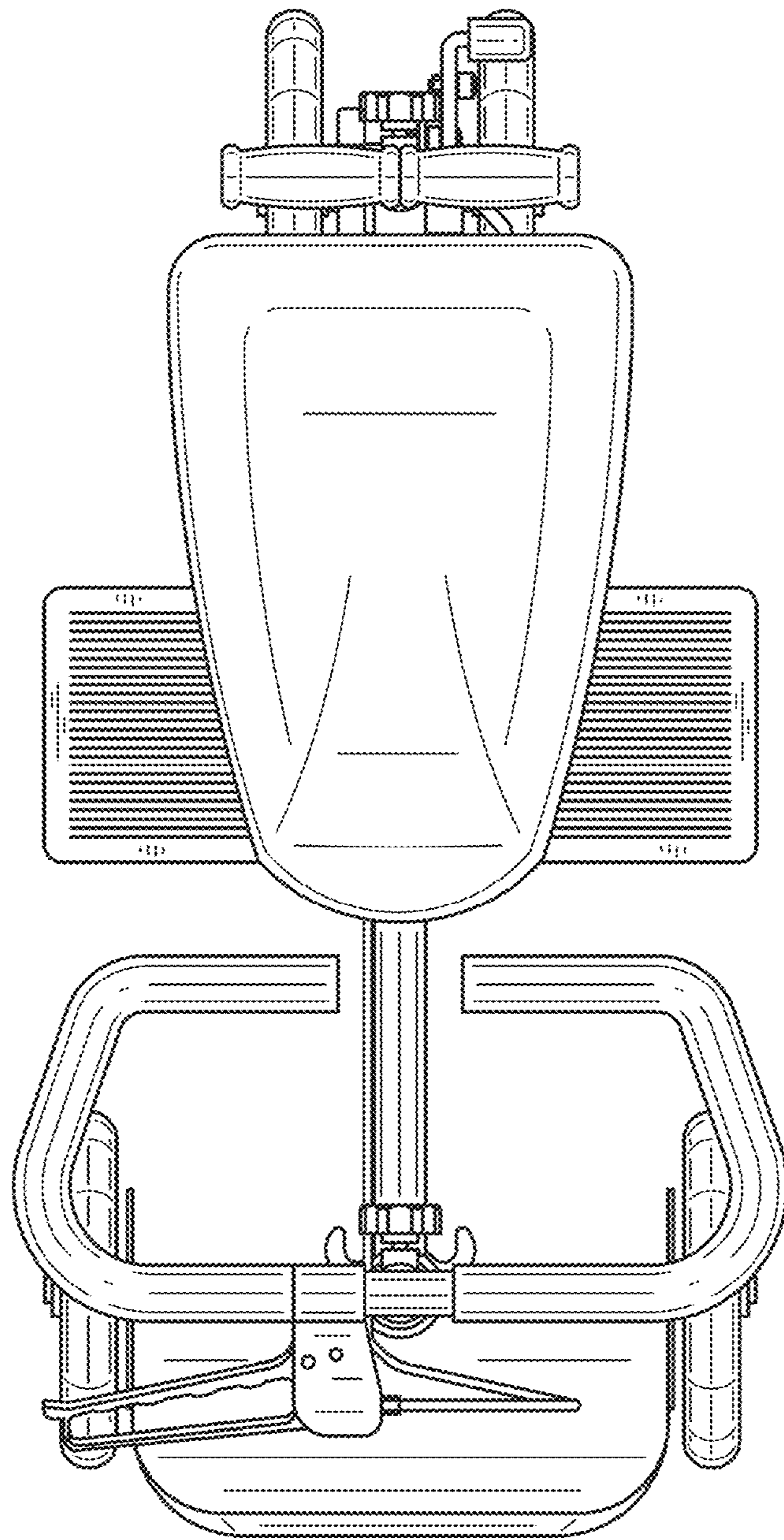


FIG. 7

