



US00D756269S

(12) **United States Design Patent**  
**Hahn-Woernle**

(10) **Patent No.:** **US D756,269 S**

(45) **Date of Patent:** **\*\* May 17, 2016**

(54) **MOTORCYCLE, TOY, AND/OR REPLICAS THEREOF**

(71) Applicant: **Bayerische Motoren Werke Aktiengesellschaft, Munich (DE)**

(72) Inventor: **Christian Siegfried Erhard Hahn-Woernle, Munich (DE)**

(73) Assignee: **Bayersche Motoren Werke Aktiengesellschaft, Munich (DE)**

(\*\*) Term: **14 Years**

(21) Appl. No.: **29/516,032**

(22) Filed: **Jan. 29, 2015**

(30) **Foreign Application Priority Data**

Jul. 30, 2014 (DE) ..... 40 2014 100 660

(51) **LOC (10) Cl.** ..... **12-11**

(52) **U.S. Cl.**  
USPC ..... **D12/110**

(58) **Field of Classification Search**  
USPC ..... D12/109, 110, 111, 114, 117, 126, 184, D12/186; D21/432, 458, 538; 180/210–217, 180/219, 220, 225, 229, 908; 280/103, 124, 280/152.1–152.3, 288.2, 288.4, 304.3, 770, 280/827, 828, 847, 848; 296/77.1, 78.1, 296/181.1, 187.01, 187.12, 192, 193.01, 296/193.04, 193.05, 193.09; 446/440  
CPC ..... B62D 37/00; B62D 57/00; B62K 9/00; B62K 11/04; B62K 17/00; B62K 19/48; B62M 7/12; F02M 61/02; A63H 17/21; B62J 17/00; B62J 17/04; B62J 29/00

See application file for complete search history.

(56) **References Cited**

U.S. PATENT DOCUMENTS

D582,317 S *	12/2008	Takigawa	.....	D12/110
D598,815 S *	8/2009	Nagao	.....	D12/110
D601,460 S *	10/2009	Wong	.....	D12/110
D651,138 S *	12/2011	Lai	.....	D12/110
D666,535 S *	9/2012	Kiska	.....	D12/110
D684,901 S *	6/2013	Chiu	.....	D12/110
8,807,259 B2 *	8/2014	Tominaga	.....	B62K 11/04 180/219
8,827,024 B1 *	9/2014	Sumi	.....	B62M 9/16 180/227
D715,696 S *	10/2014	Sasanami	.....	D12/110
D718,670 S *	12/2014	Kiska	.....	D12/110
D734,216 S *	7/2015	Sasanami	.....	D12/110
D735,085 S *	7/2015	Buckan	.....	D12/110
2012/0318598 A1 *	12/2012	Fujiyama	.....	B60K 5/12 180/219

FOREIGN PATENT DOCUMENTS

EM 002460964-0001 3/2015

\* cited by examiner

*Primary Examiner* — Philip S Hyder

*Assistant Examiner* — Darlington Ly

(74) *Attorney, Agent, or Firm* — Crowell & Moring LLP

(57) **CLAIM**

The ornamental design for a motorcycle, toy, and/or replicas thereof, as shown and described.

**DESCRIPTION**

FIG. 1 is a left, front perspective view of a motorcycle, toy, and/or replicas thereof according to the design;

FIG. 2 is a left side view thereof;

FIG. 3 is a right side view thereof;

FIG. 4 is a front view thereof;

FIG. 5 is a rear view thereof;

FIG. 6 is a top view thereof; and,

FIG. 7 is a bottom view thereof.

**1 Claim, 7 Drawing Sheets**



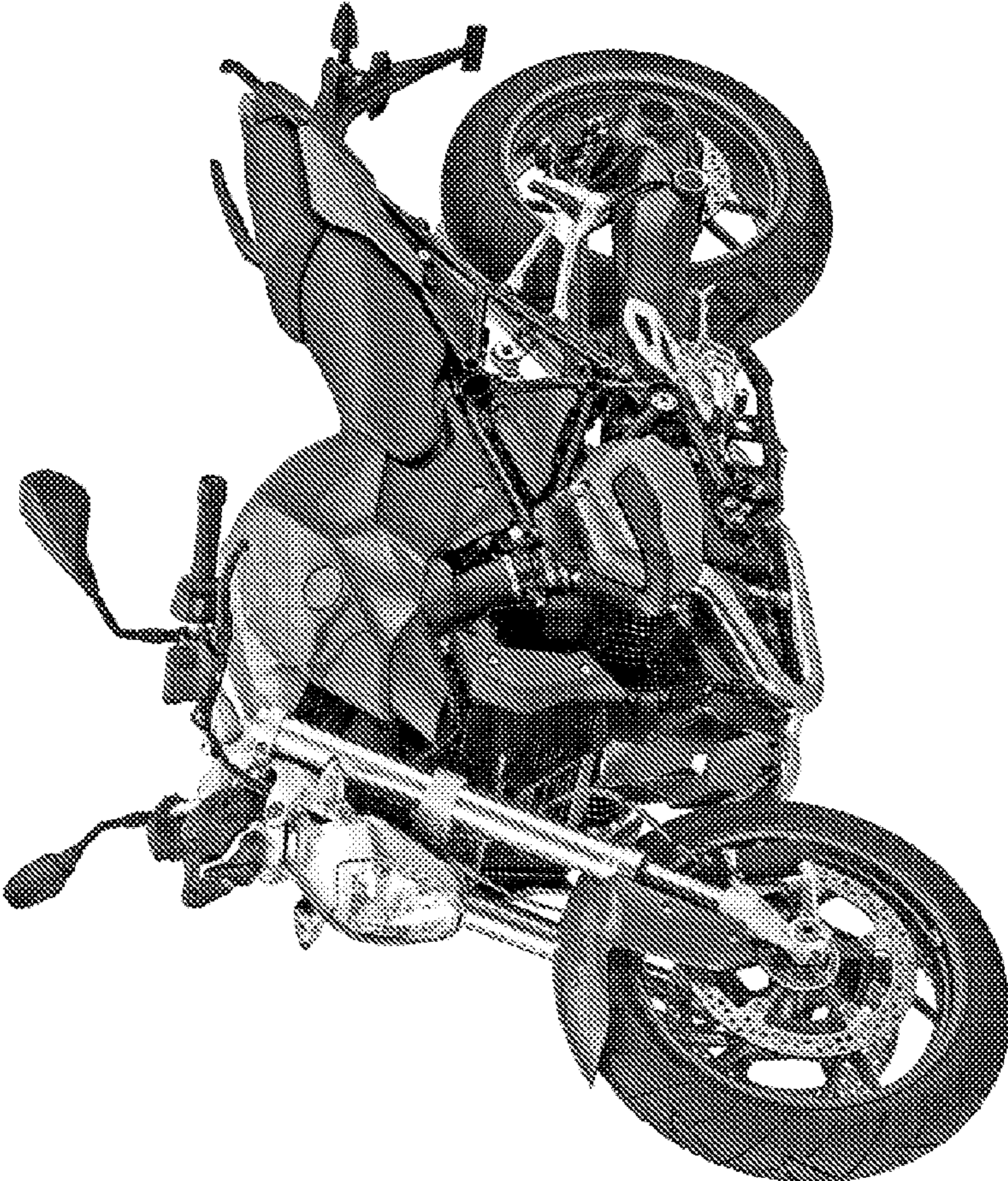


Fig. 1

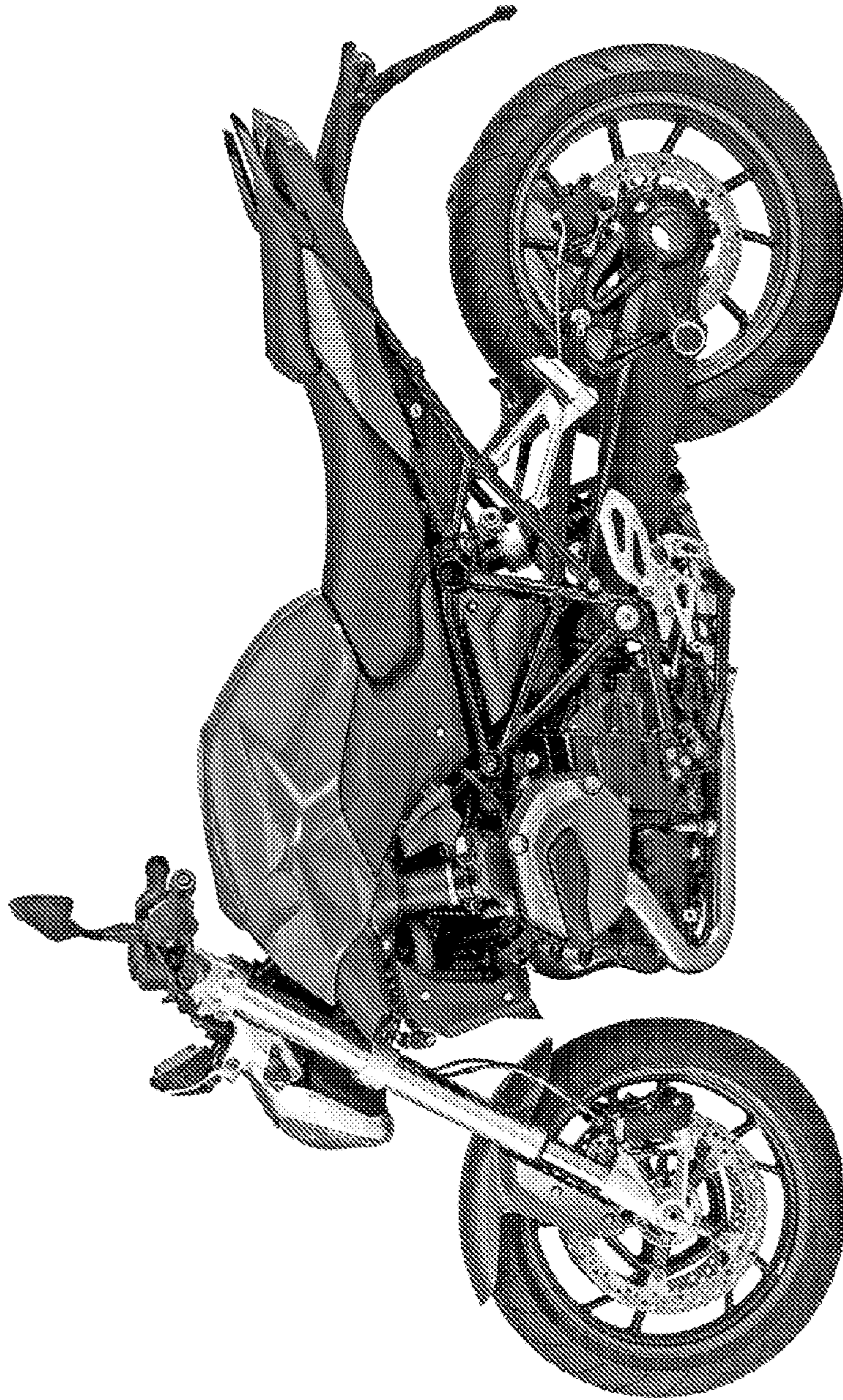


Fig. 2

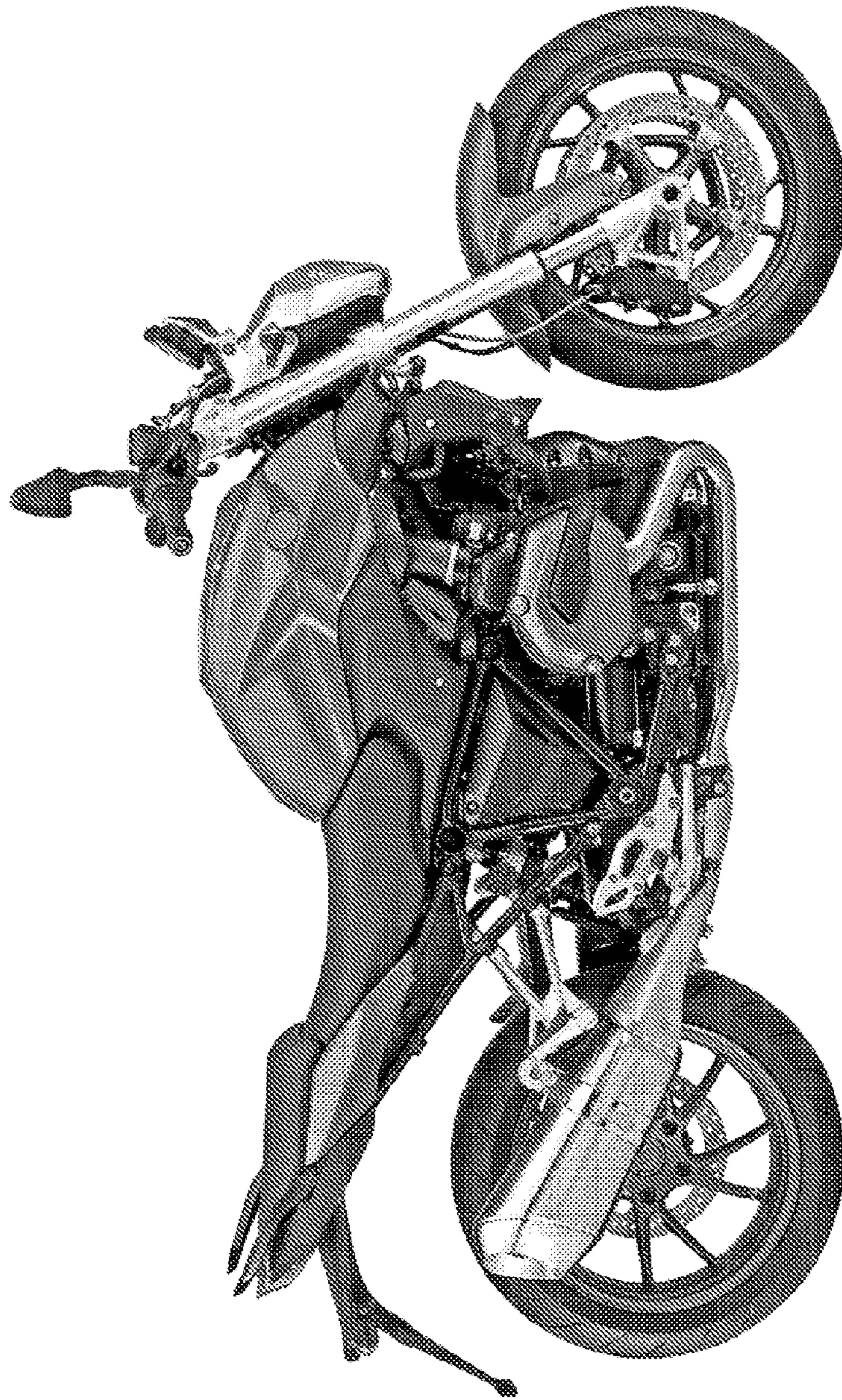


Fig. 3

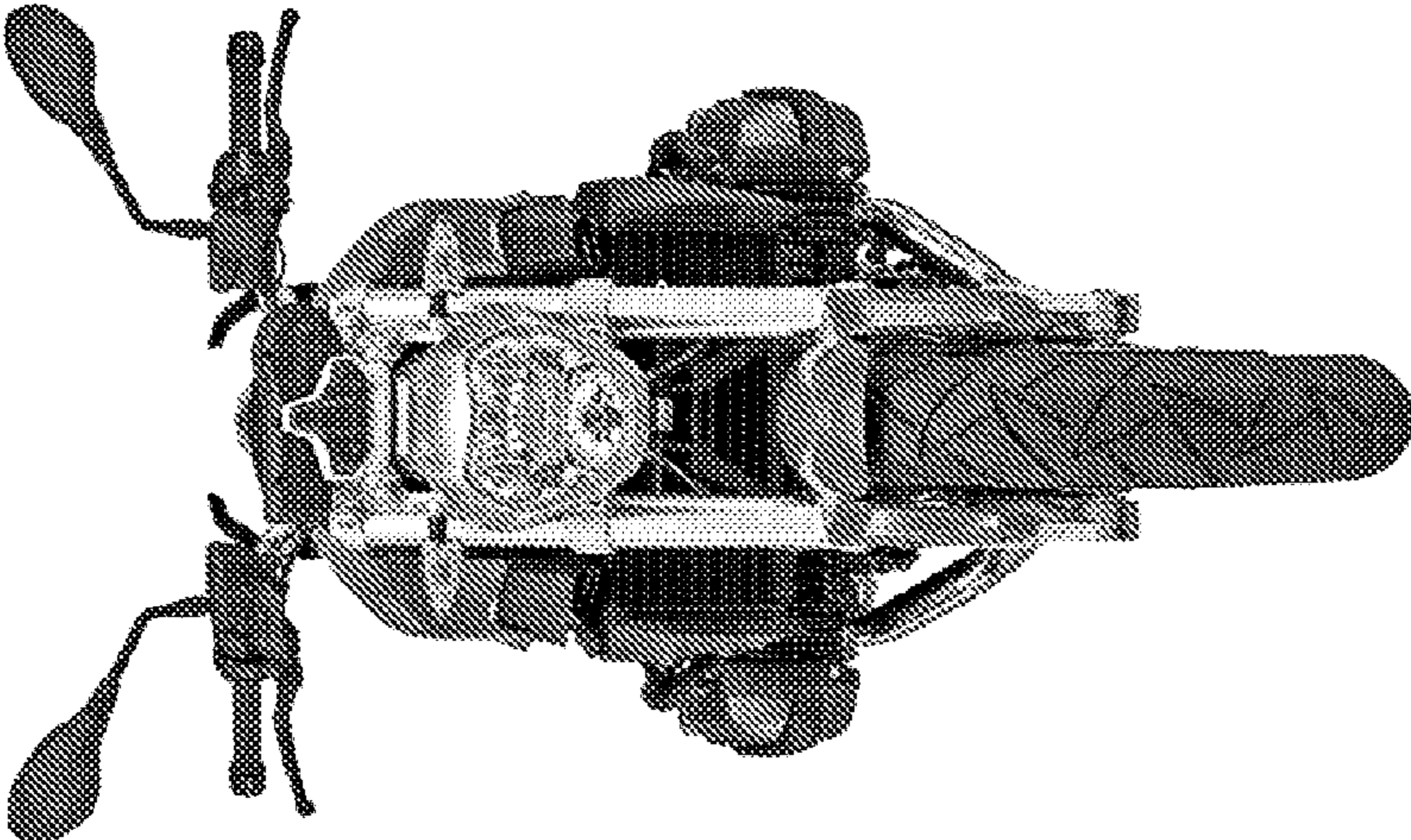


Fig. 4

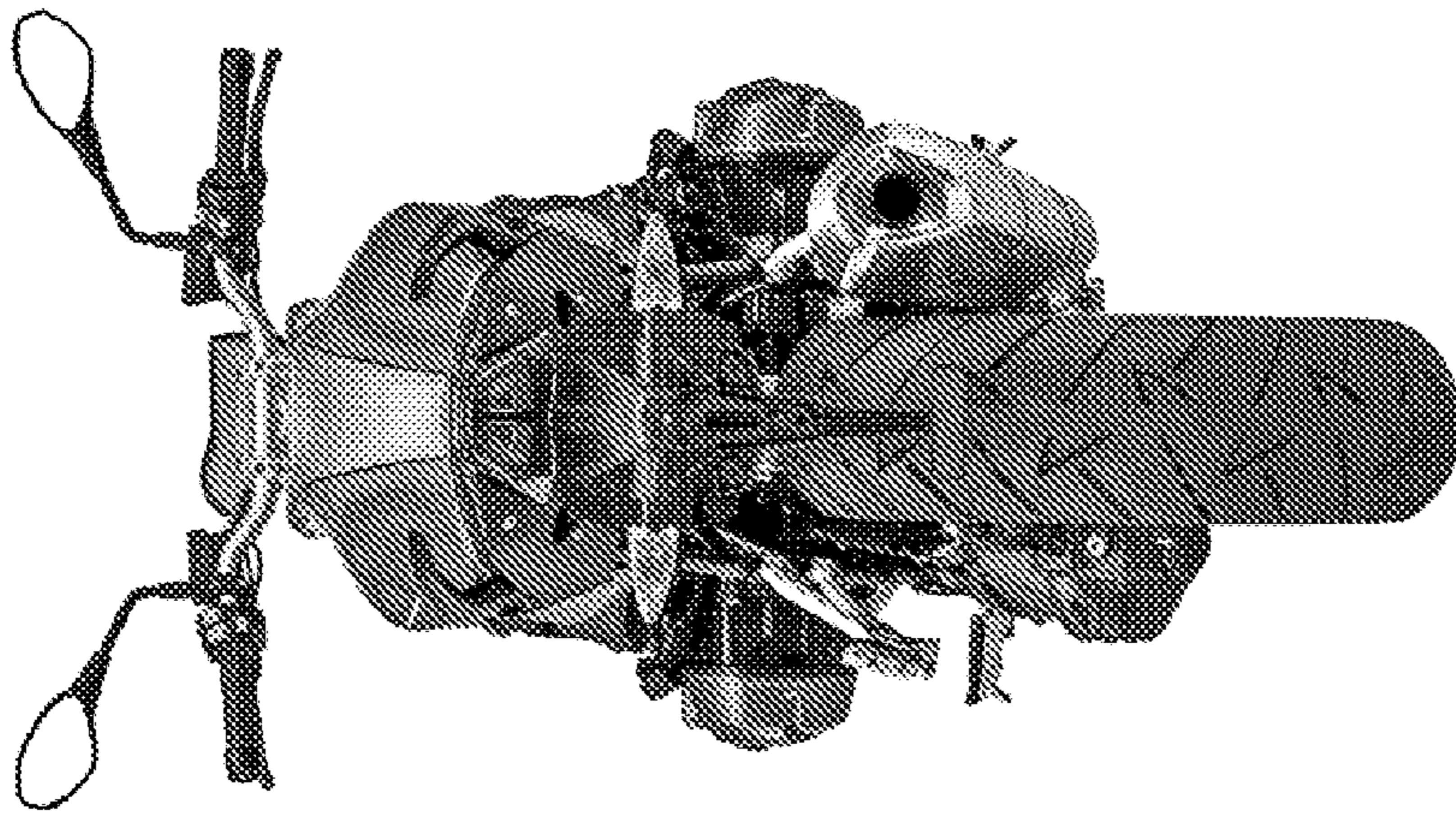


Fig. 5

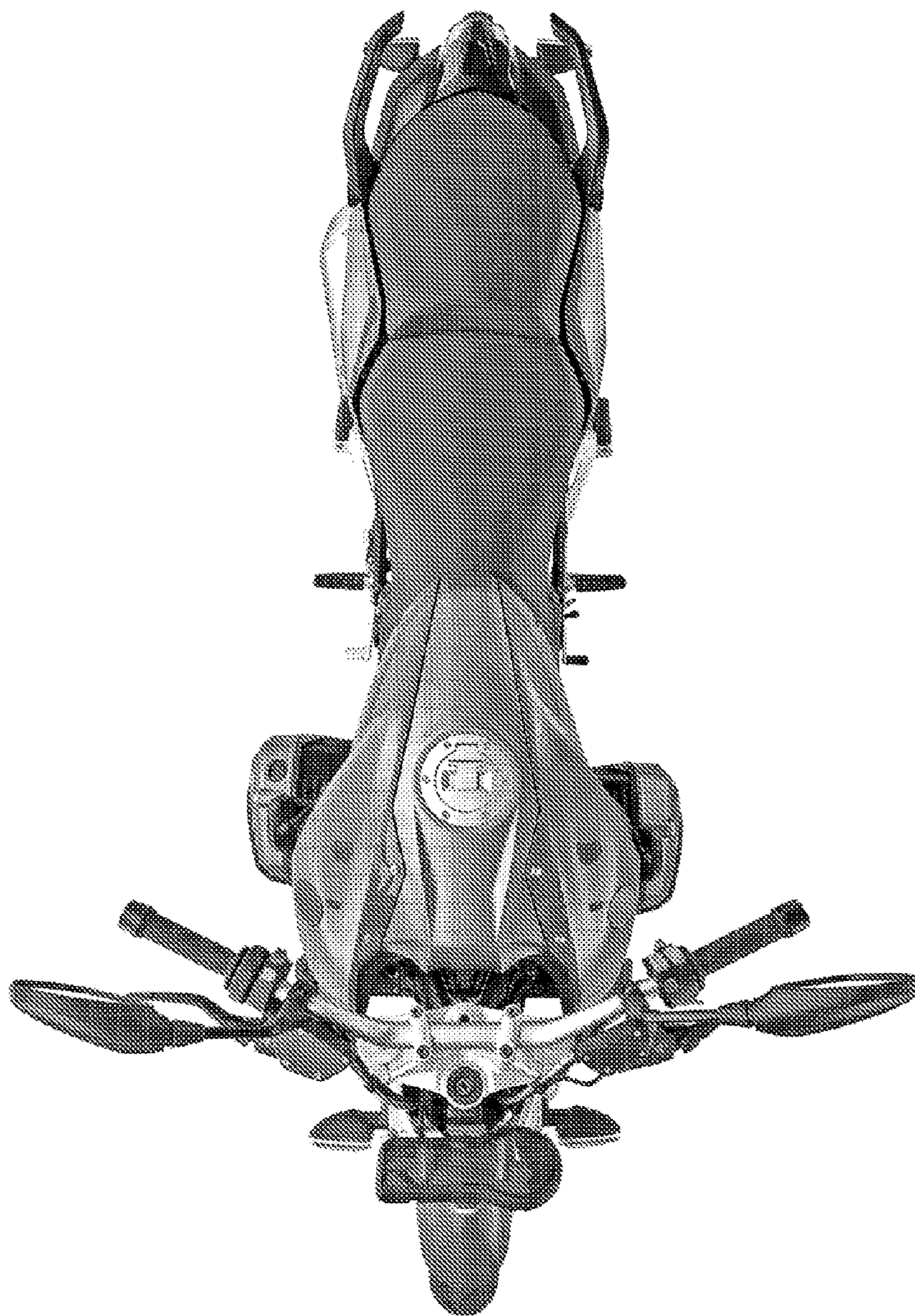


Fig. 6

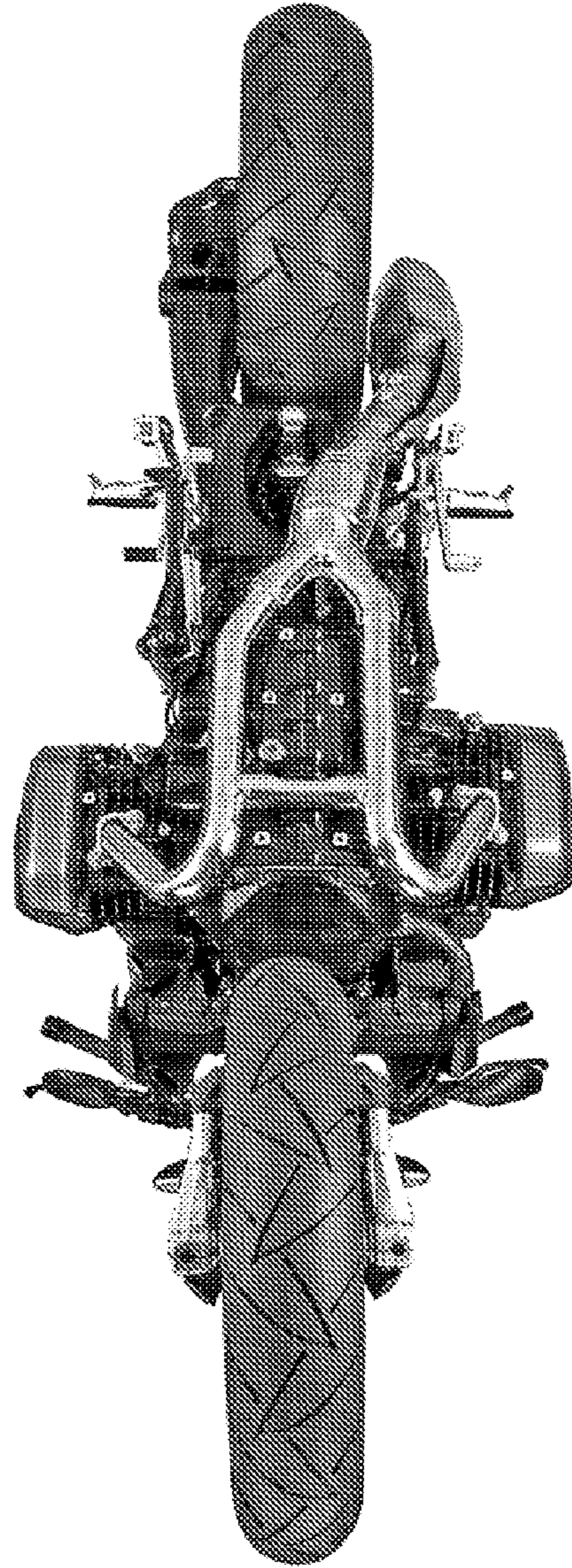


Fig. 7