



US00D756264S

(12) **United States Design Patent**
Thompson et al.

(10) **Patent No.:** **US D756,264 S**

(45) **Date of Patent:** **** May 17, 2016**

(54) **FOLDING BICYCLE**

(71) Applicant: **Ford Motor Company**, Dearborn, MI (US)

(72) Inventors: **Thomas Thompson**, Brentwood (GB);
Paul J Wraith, Colchester (GB)

(73) Assignee: **Ford Global Technologies, LLC**, Dearborn, MI (US)

(**) Term: **14 Years**

(21) Appl. No.: **29/518,660**

(22) Filed: **Feb. 26, 2015**

(51) **LOC (10) Cl.** **12-11**

(52) **U.S. Cl.**
USPC **D12/11**

(58) **Field of Classification Search**

USPC D12/111, 117; 280/274–280, 281.1,
280/283–288, 288.1–288.4
CPC B62K 3/00; B62K 3/005; B62K 9/00;
B62K 19/00; B62K 19/02; B62K 19/04;
B62K 19/06; B62K 19/16

See application file for complete search history.

(56) **References Cited**

U.S. PATENT DOCUMENTS

| | | | | | |
|-----------|------|---------|----------|-------|------------------------|
| 4,634,138 | A * | 1/1987 | Fryer | | B62K 15/008 280/278 |
| 5,836,602 | A * | 11/1998 | Wang | | B62K 15/008 280/278 |
| 6,267,401 | B1 * | 7/2001 | De Jong | | B62K 15/008 280/287 |
| 6,623,023 | B2 * | 9/2003 | Niitsu | | B62K 15/008 180/220 |
| D487,234 | S * | 3/2004 | Chen | | D12/111 |
| 6,702,312 | B1 * | 3/2004 | Mikdsik | | B62J 1/04 280/278 |
| D497,122 | S * | 10/2004 | Uenaka | | D12/111 |
| 6,799,771 | B2 * | 10/2004 | Bigot | | B62K 15/008 280/278 |
| D512,346 | S * | 12/2005 | Sinclair | | D12/111 |
| 7,055,842 | B1 * | 6/2006 | Lin | | B62K 15/008 280/278 |
| 7,156,409 | B2 * | 1/2007 | Chuang | | B62K 15/006 280/278 |
| D536,645 | S * | 2/2007 | Cole | | D12/111 |
| D547,702 | S * | 7/2007 | Tabuchi | | D12/111 |

D616,335 S * 5/2010 Kubota D12/111
D617,687 S * 6/2010 Brady D12/111

(Continued)

Primary Examiner — Philip S Hyder

Assistant Examiner — Darlington Ly

(74) *Attorney, Agent, or Firm* — Damian Porcari

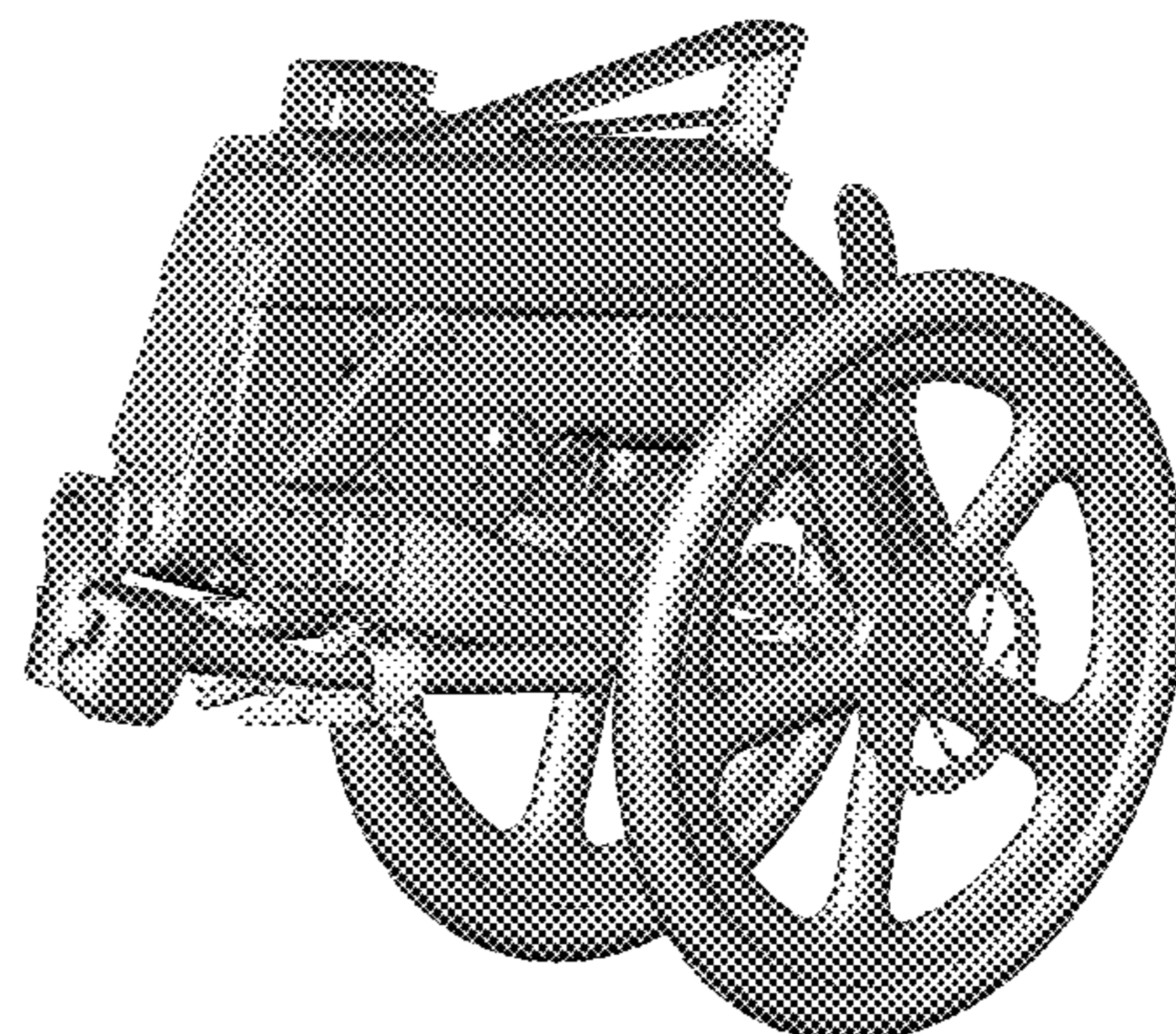
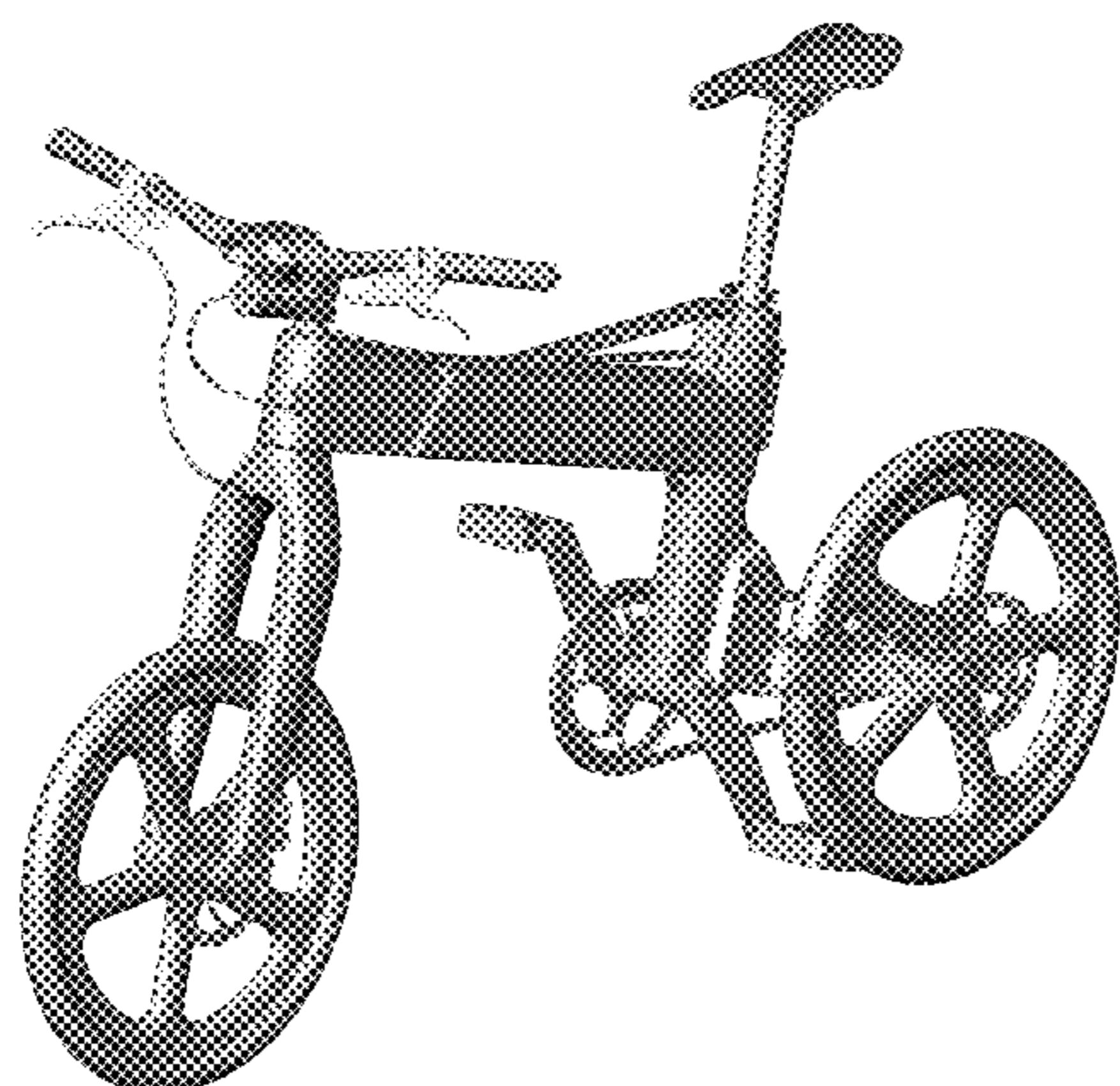
(57) **CLAIM**

The ornamental design for a folding bicycle, as shown and described.

DESCRIPTION

FIG. 1 is a top, front and left perspective view of the folding bicycle in an unfolded position;
 FIG. 2 is a top, rear and left perspective view thereof;
 FIG. 3 is a front elevational view thereof;
 FIG. 4 is a left side elevation view thereof;
 FIG. 5 is a bottom plan view thereof;
 FIG. 6 is a rear elevational view thereof;
 FIG. 7 is a right side elevational view thereof;
 FIG. 8 is a top plan view thereof;
 FIG. 9 is a top, front and left perspective view thereof in a folded position;
 FIG. 10 is a top, rear and left perspective view thereof;
 FIG. 11 is a front elevational view thereof;
 FIG. 12 is a left elevational view thereof;
 FIG. 13 is a bottom plan view thereof;
 FIG. 14 is a rear elevational view thereof;
 FIG. 15 is a right elevational view thereof;
 FIG. 16 is a top plan view thereof;
 FIG. 17 is a top, front and left perspective view thereof in a towable position;
 FIG. 18 is a top, rear and left perspective view thereof;
 FIG. 19 is a front elevational view thereof;
 FIG. 20 is a left elevational view thereof;
 FIG. 21 is a bottom plan view thereof;
 FIG. 22 is a rear elevational view thereof;
 FIG. 23 is a right elevational view thereof; and,
 FIG. 24 is a top plan view thereof.

1 Claim, 24 Drawing Sheets



(56)

References Cited

U.S. PATENT DOCUMENTS

D626,037 S * 10/2010 Thetard D12/111
D724,497 S * 3/2015 Harness D12/111

D730,778 S * 6/2015 Harness D12/111
D730,779 S * 6/2015 Arbour D12/111
D739,308 S * 9/2015 Barnaby Latham D12/111
D739,310 S * 9/2015 Barnaby Latham D12/112

* cited by examiner

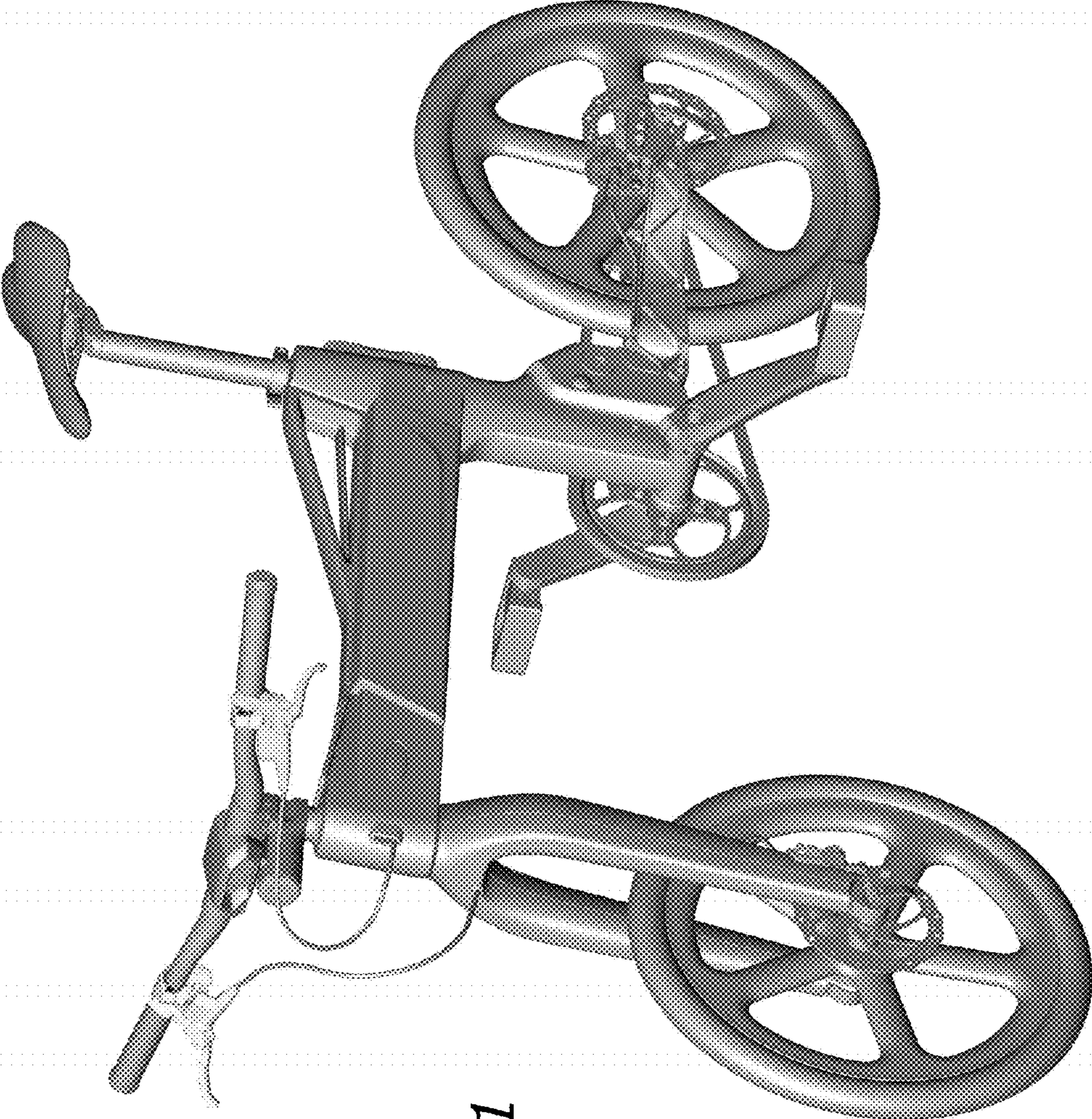


Figure 1



Figure 2

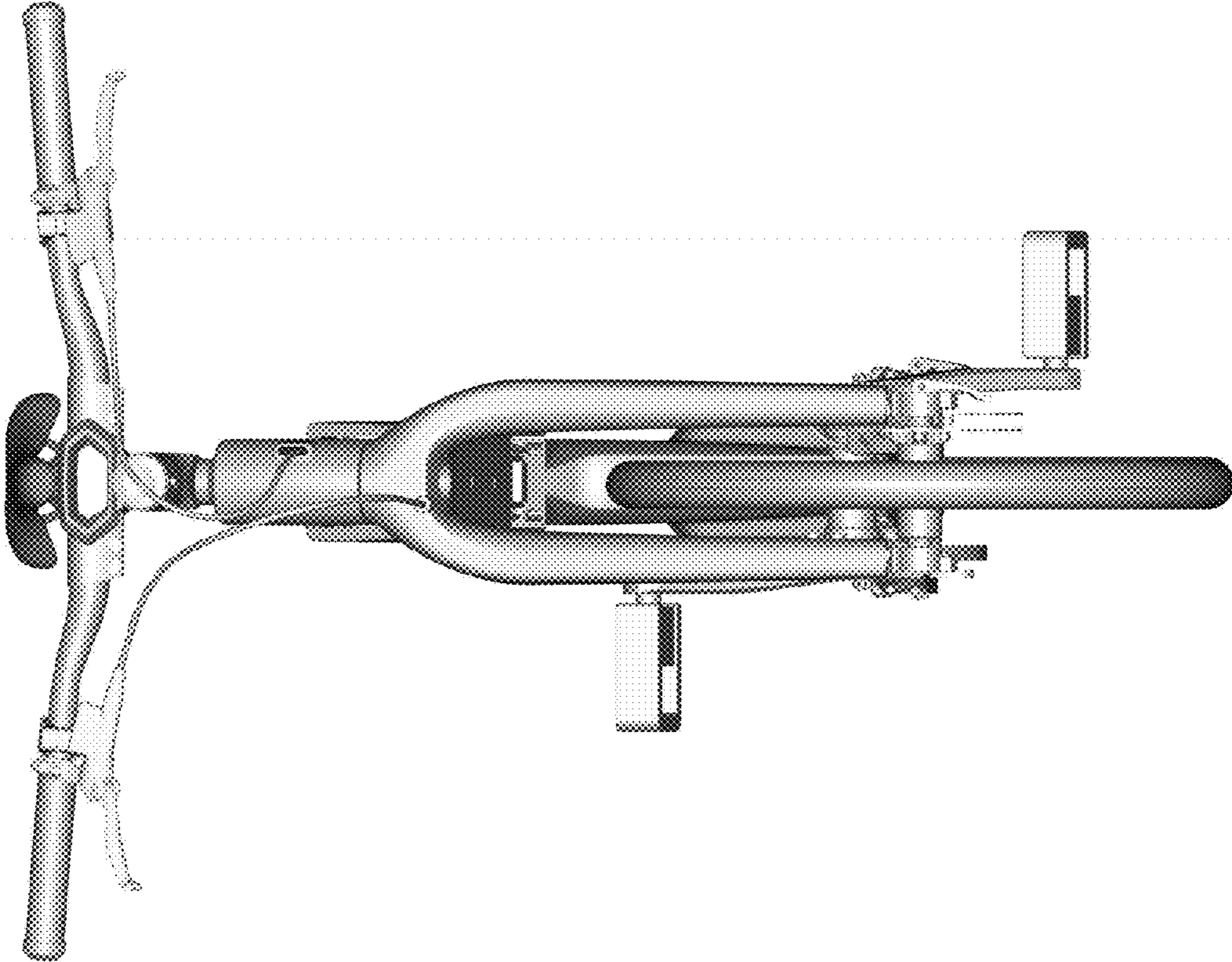


Figure 3

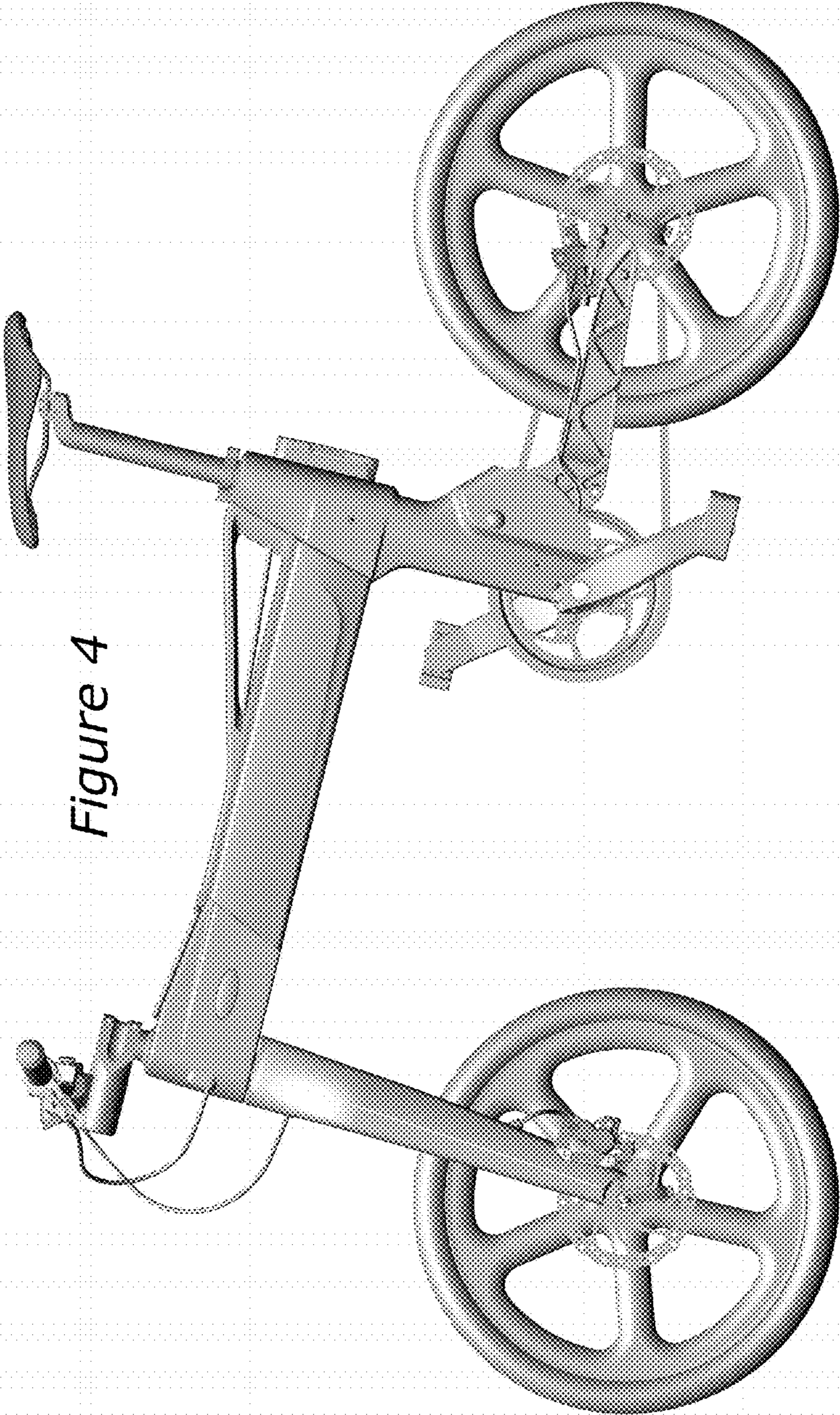
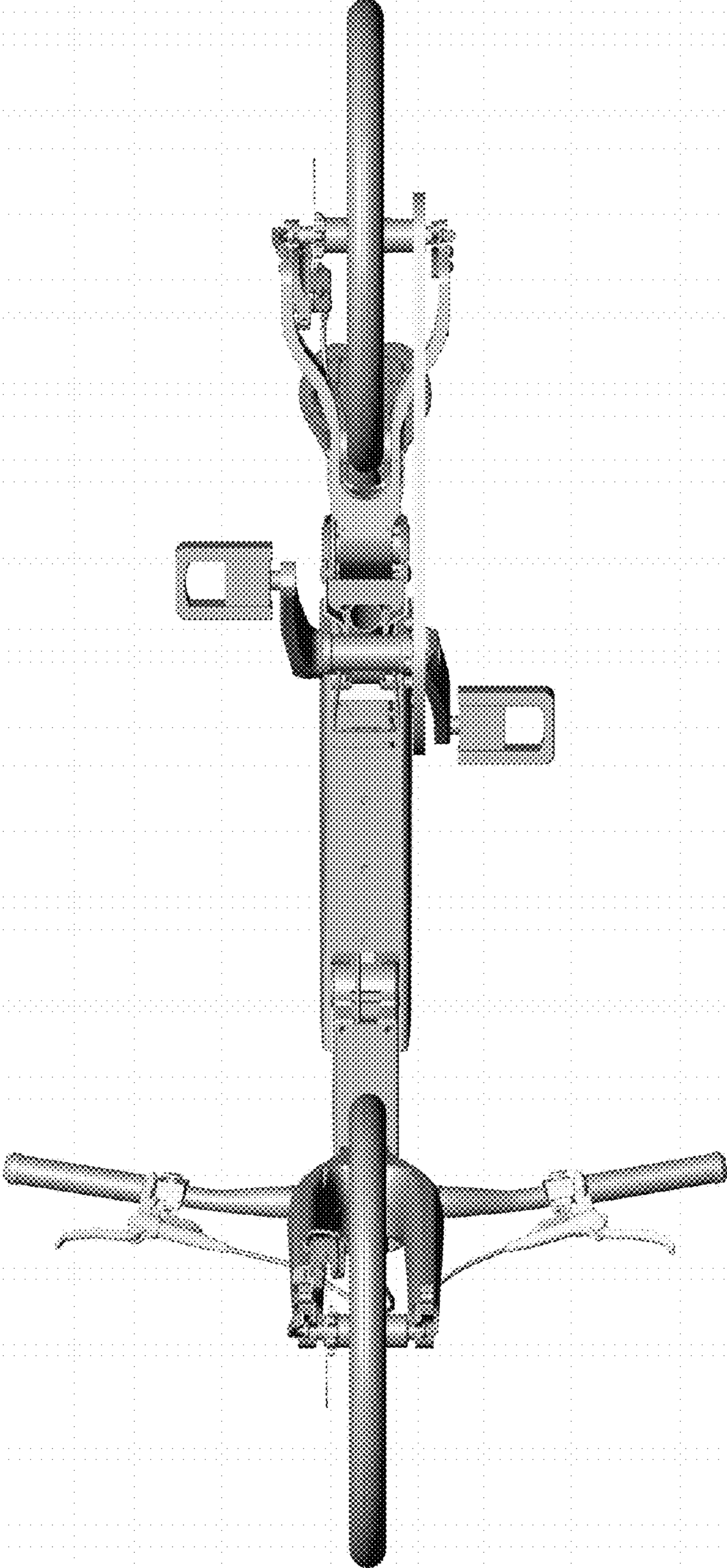


Figure 4

Figure 5



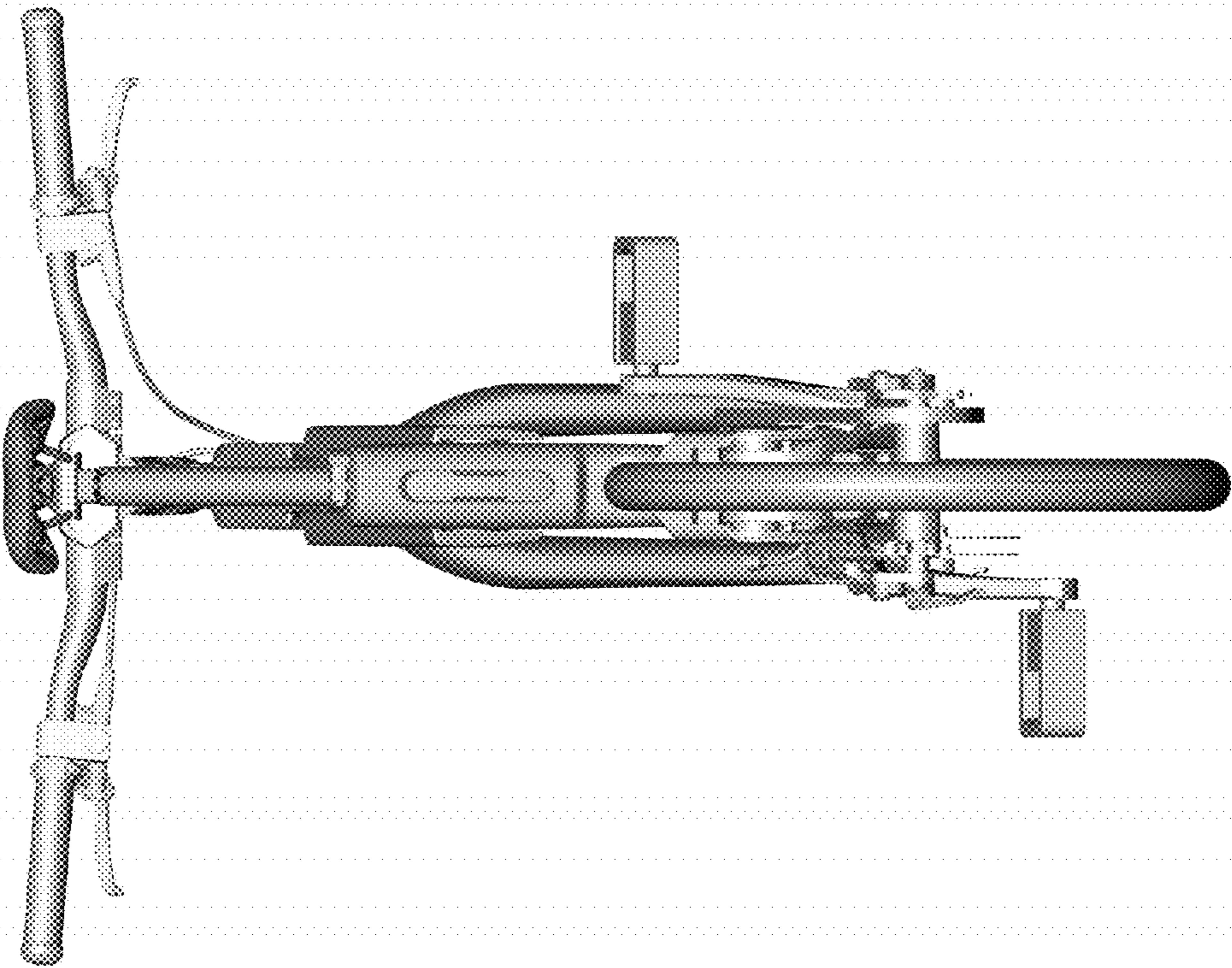


Figure 6

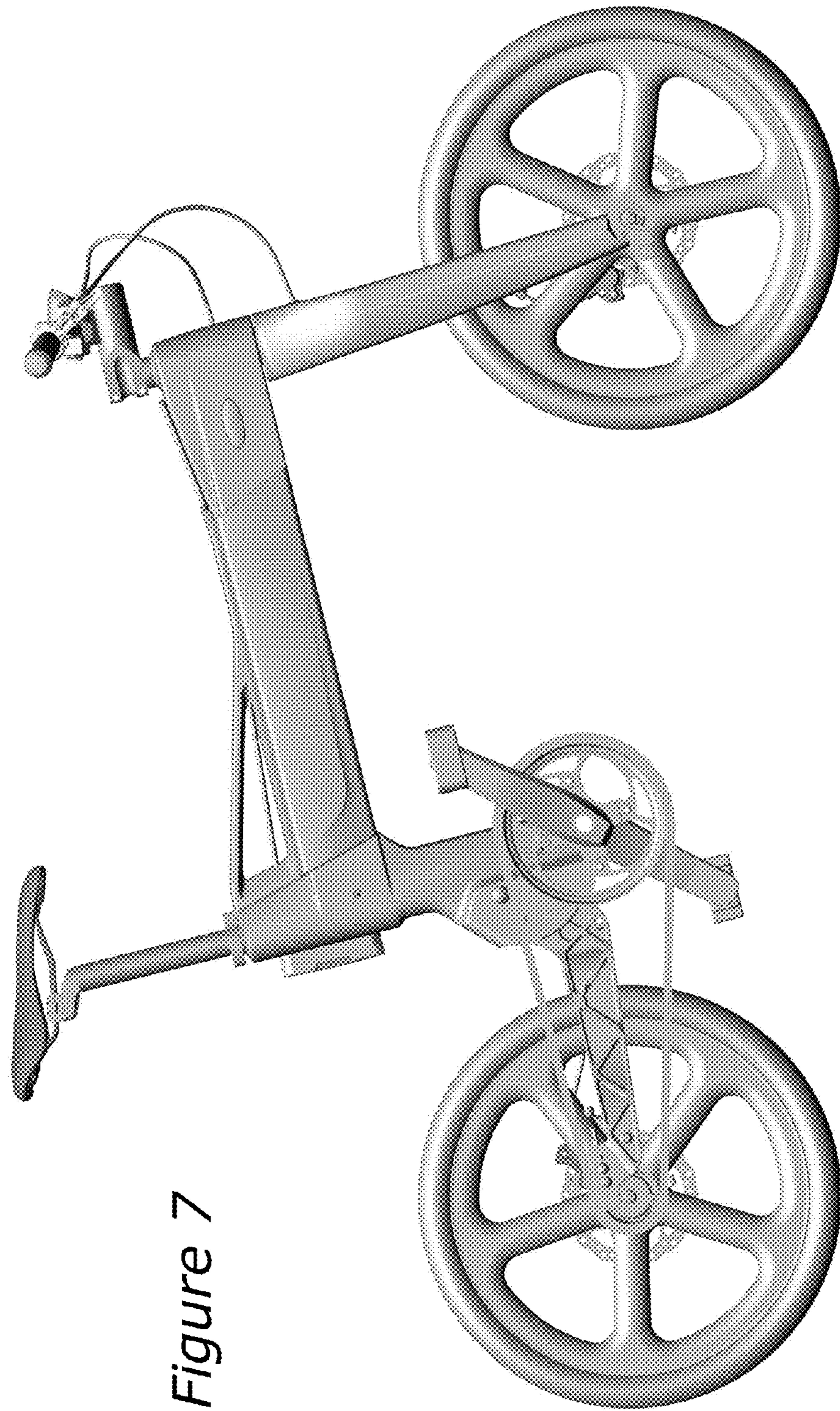


Figure 7

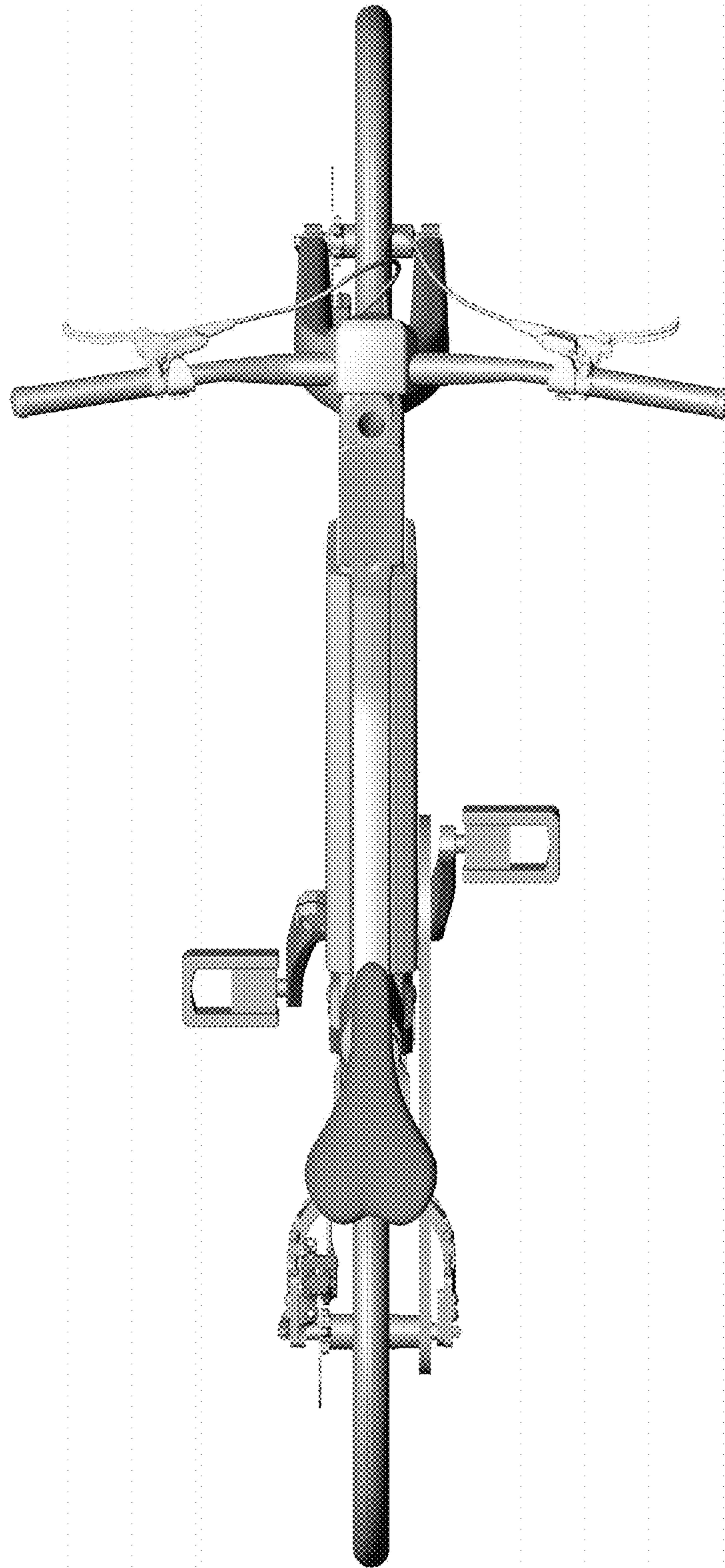


Figure 8

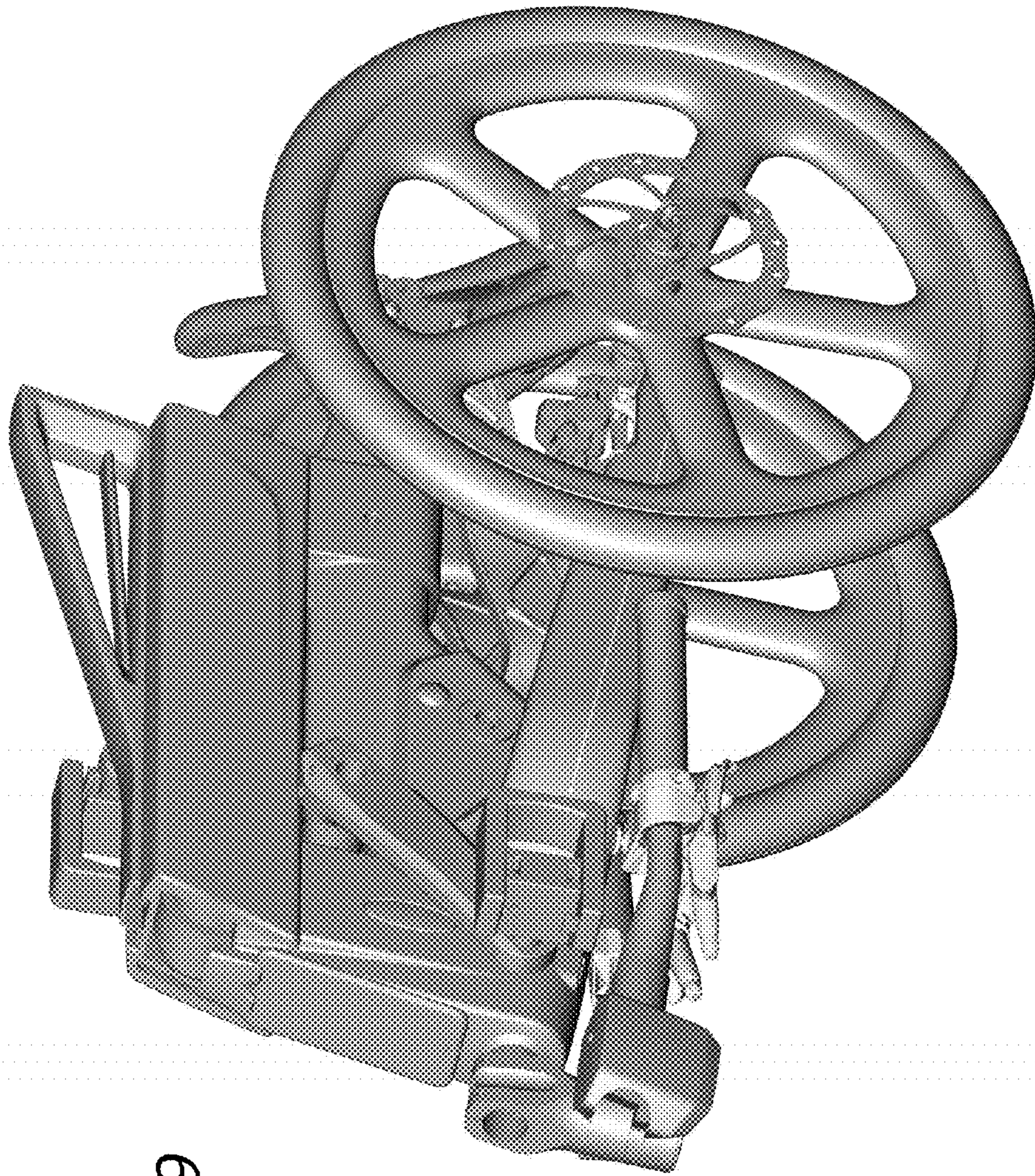


Figure 9

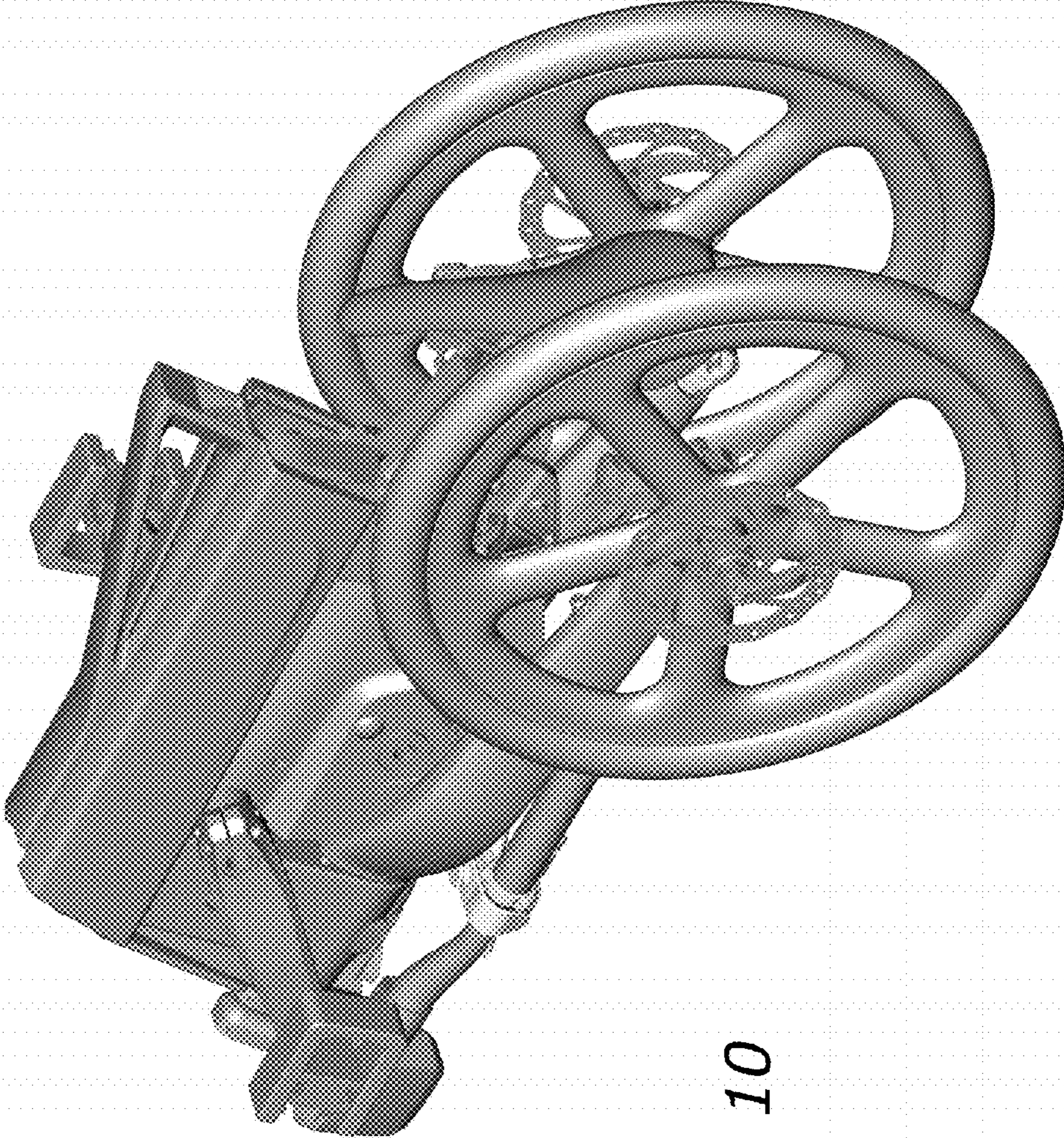


Figure 10

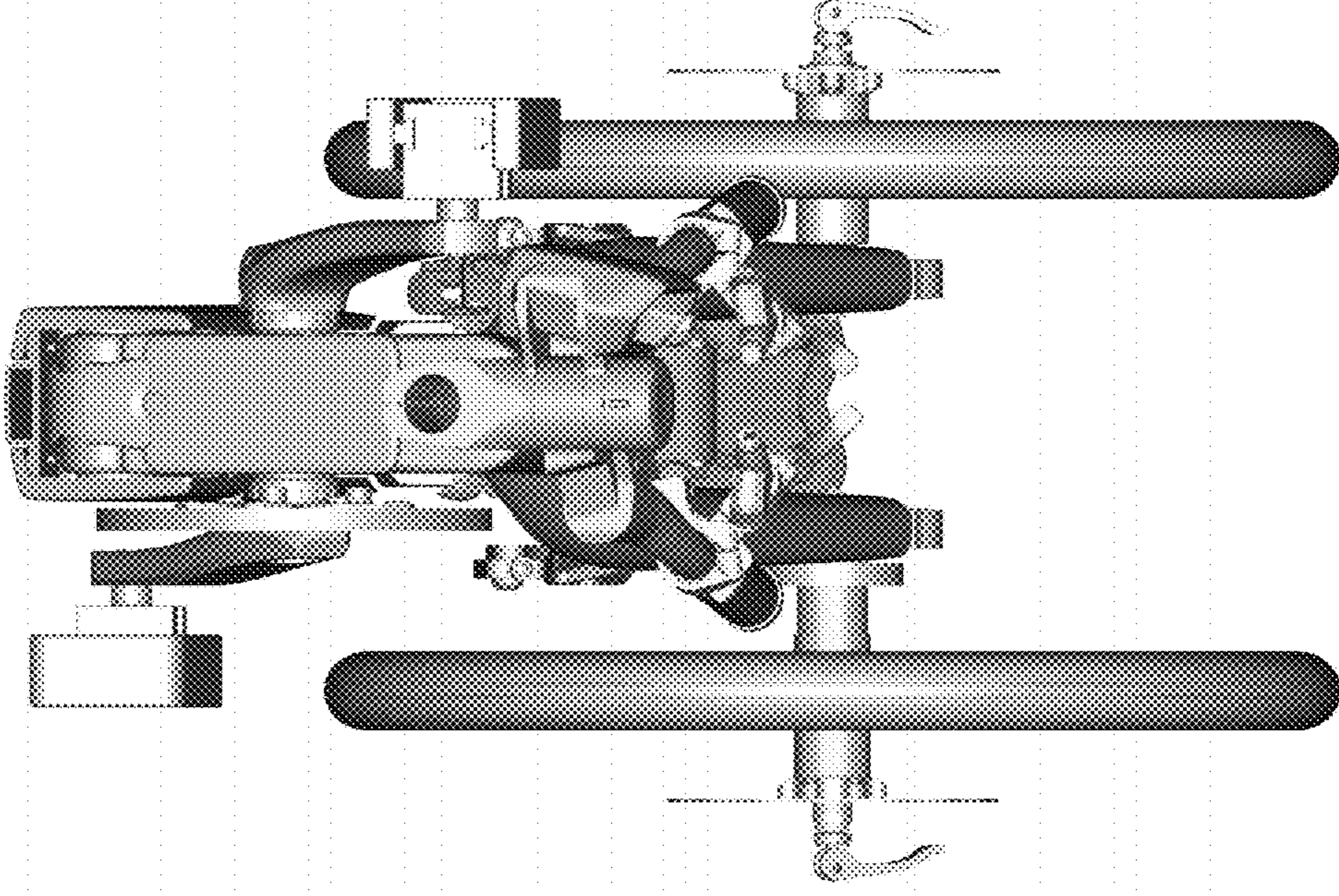


Figure 11

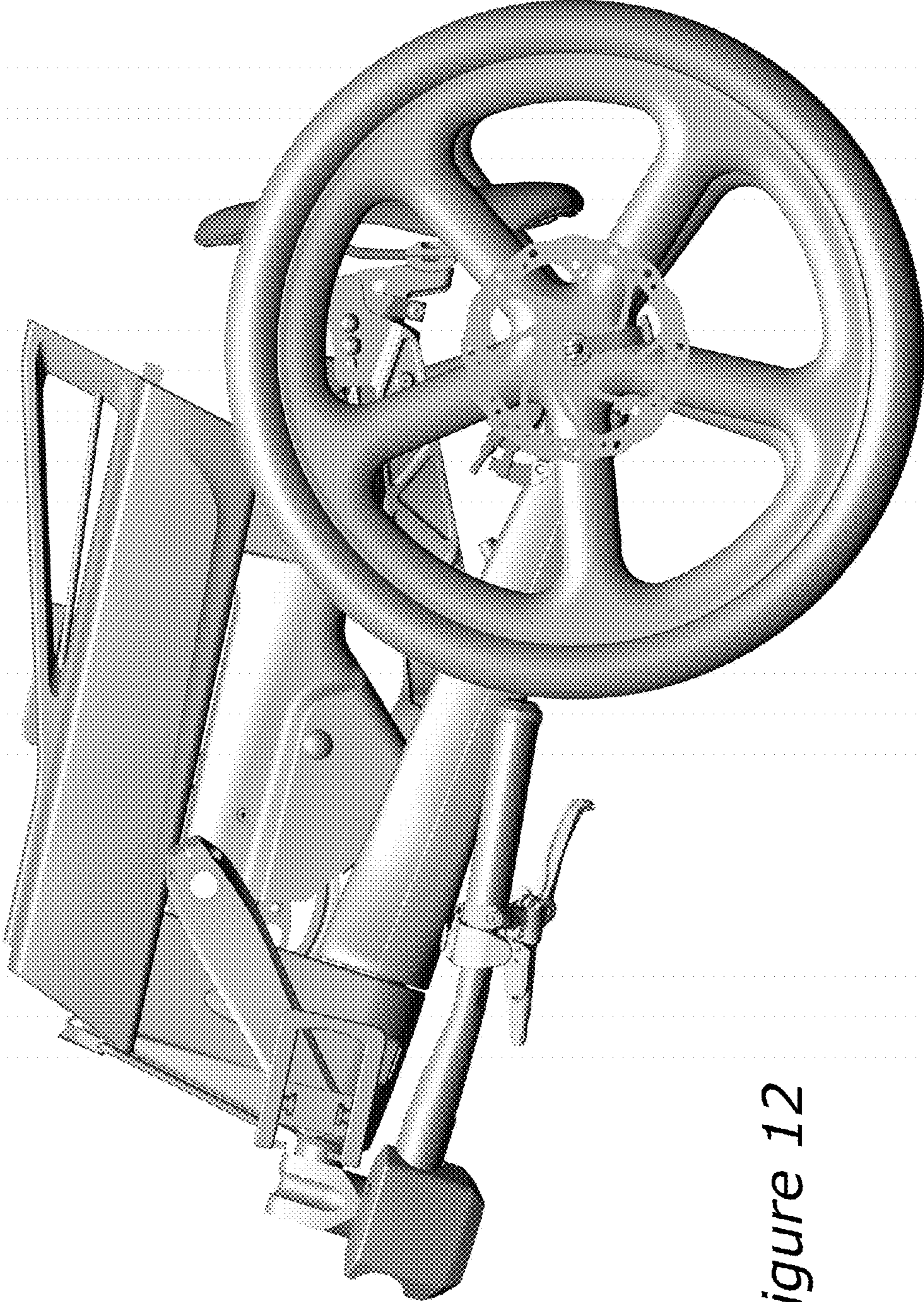


Figure 12

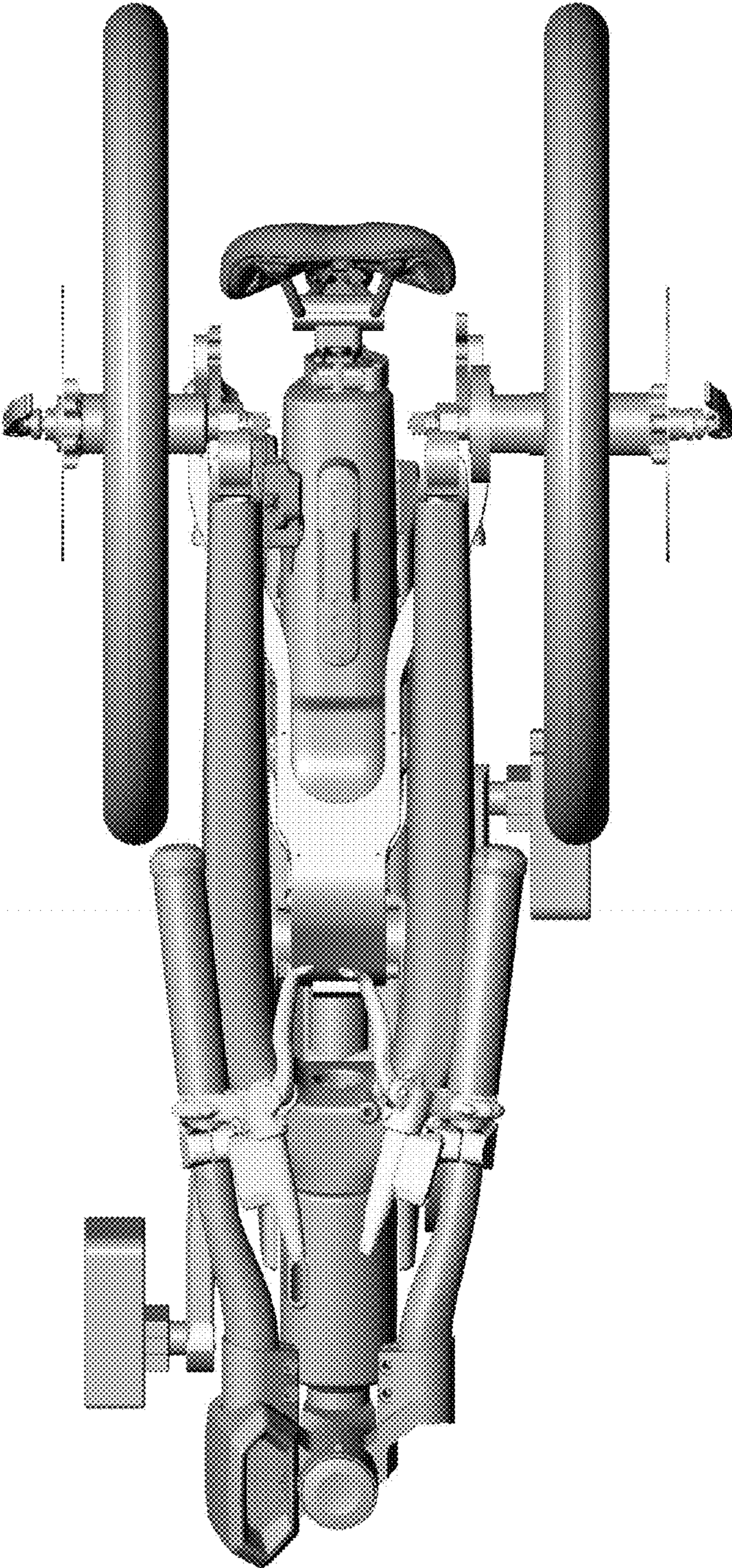


Figure 13

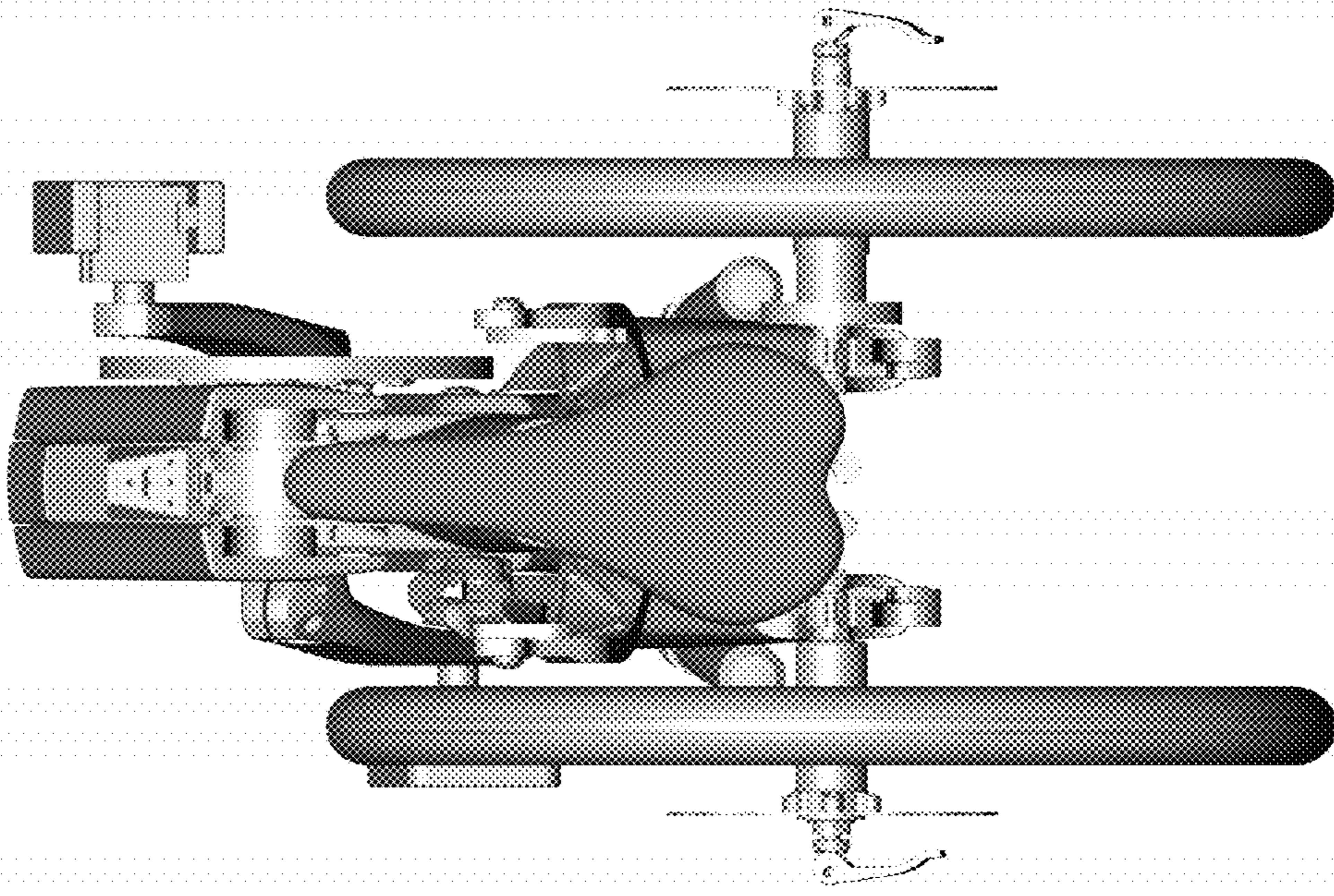


Figure 14

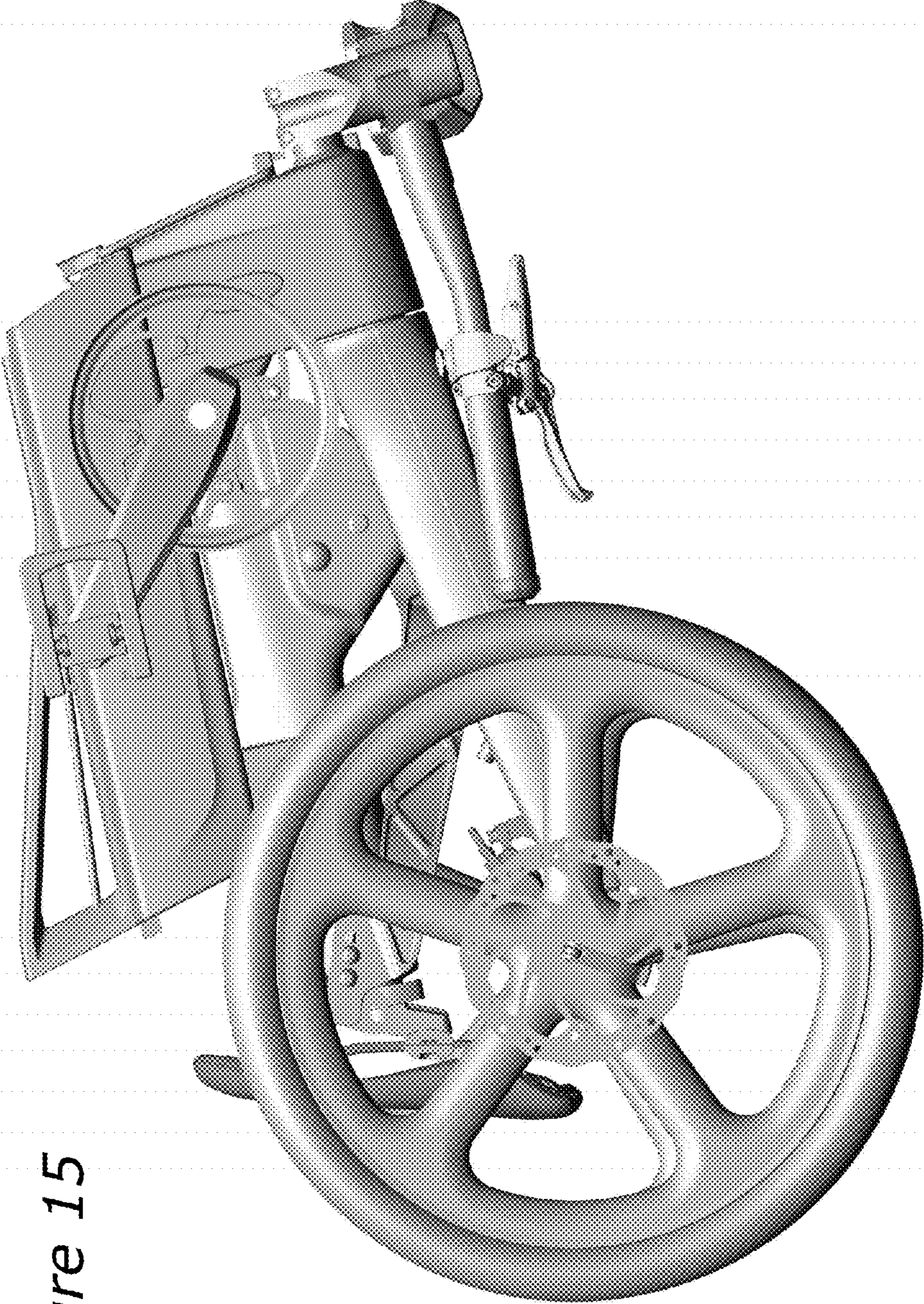


Figure 15

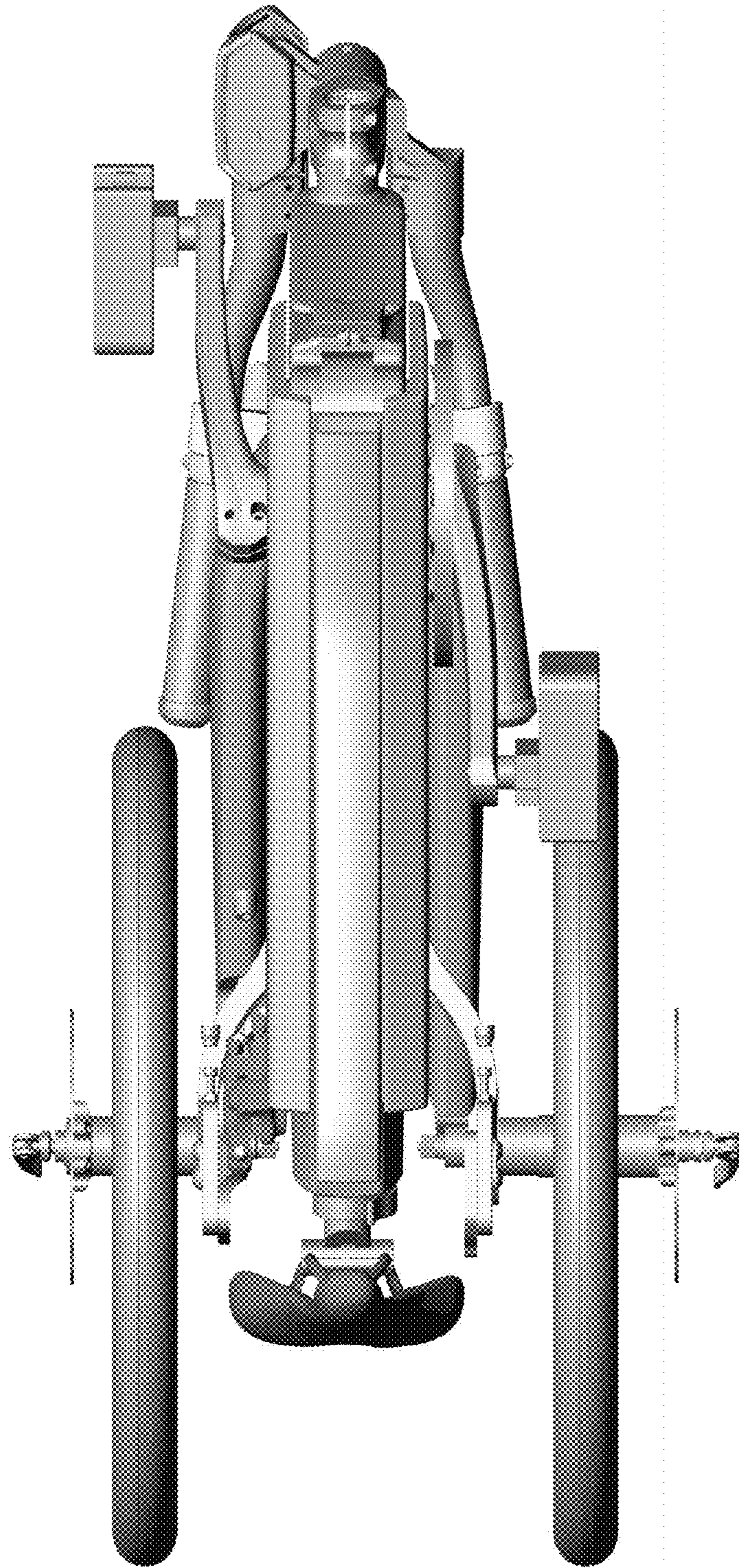


Figure 16

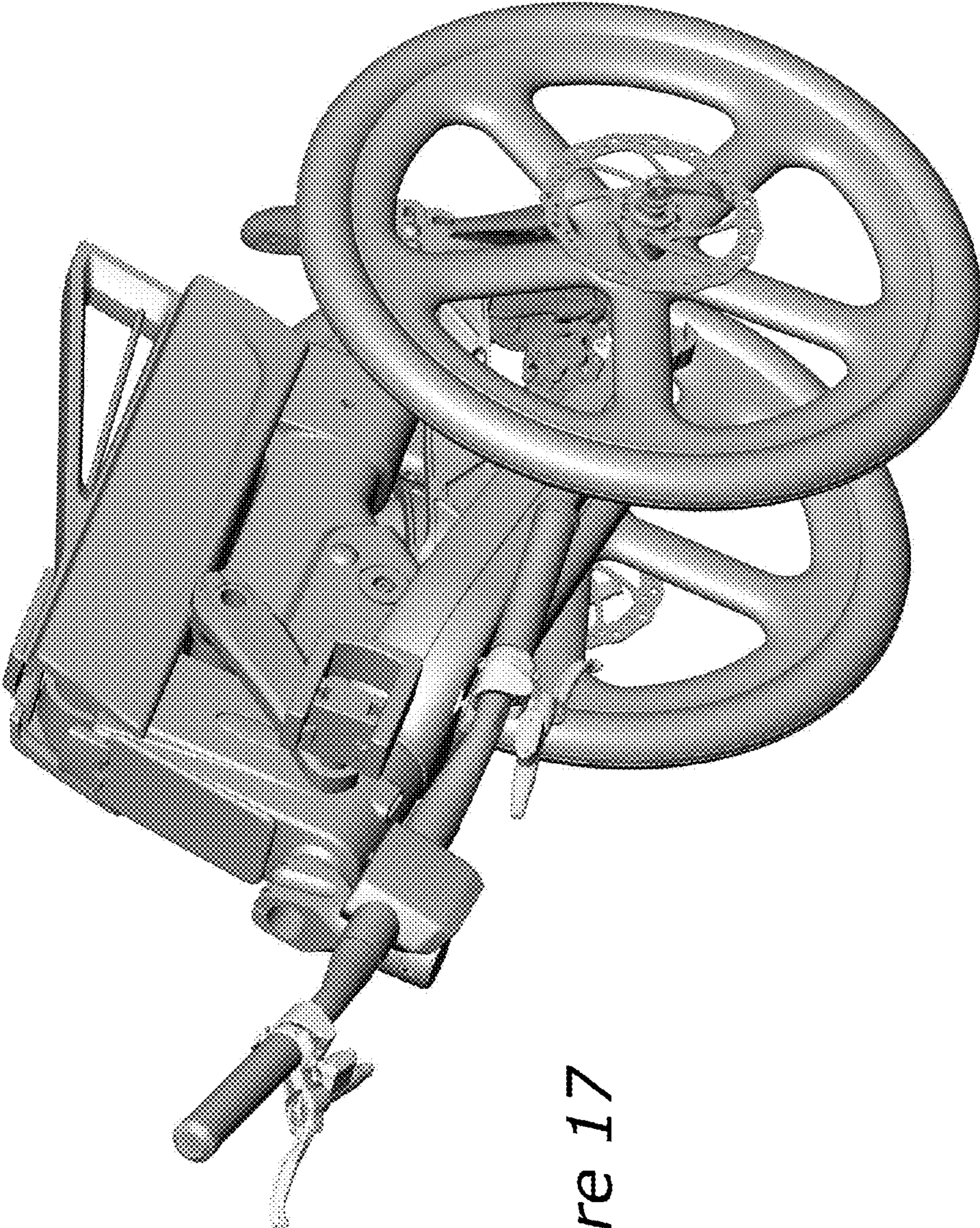


Figure 17

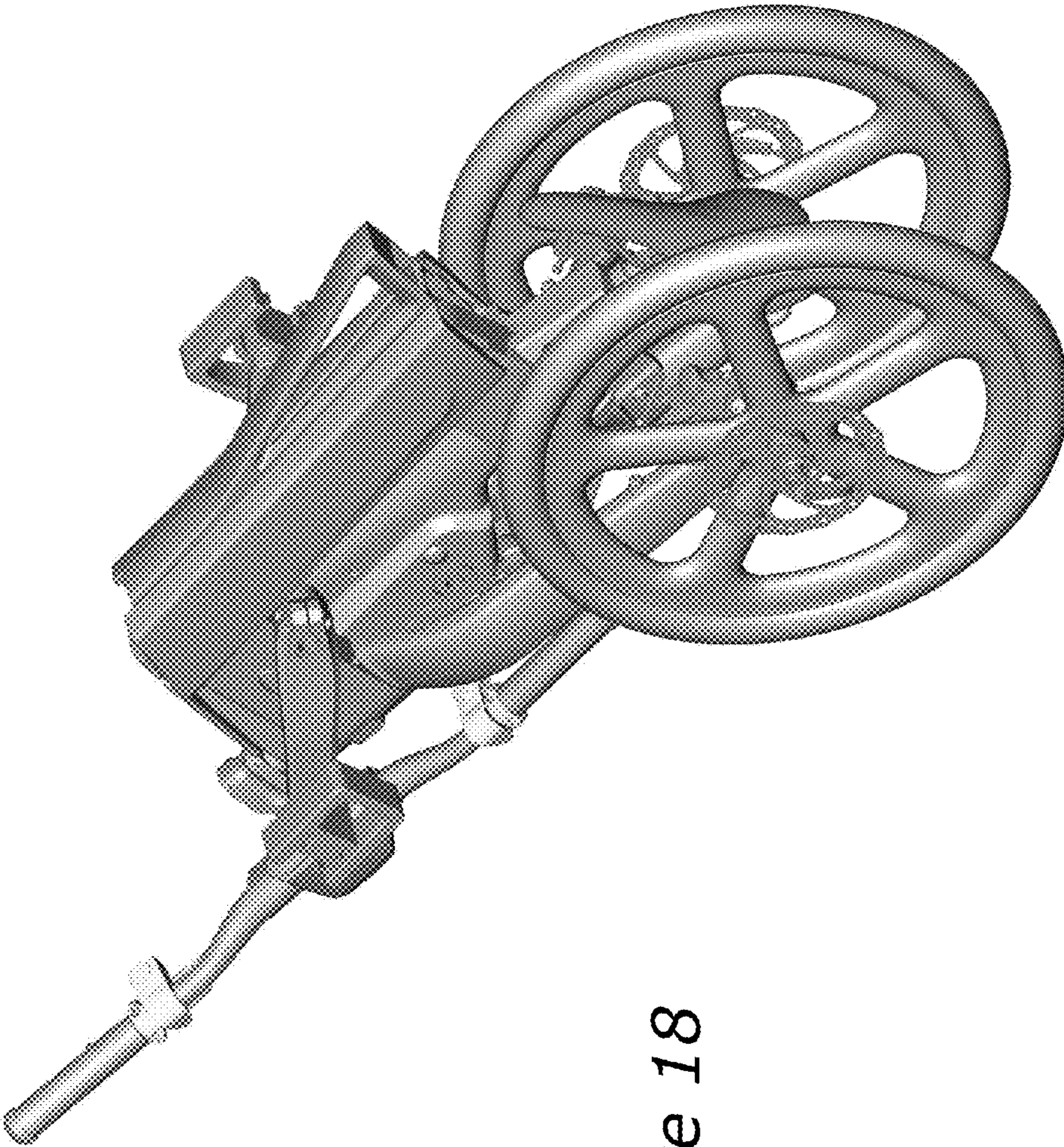


Figure 18

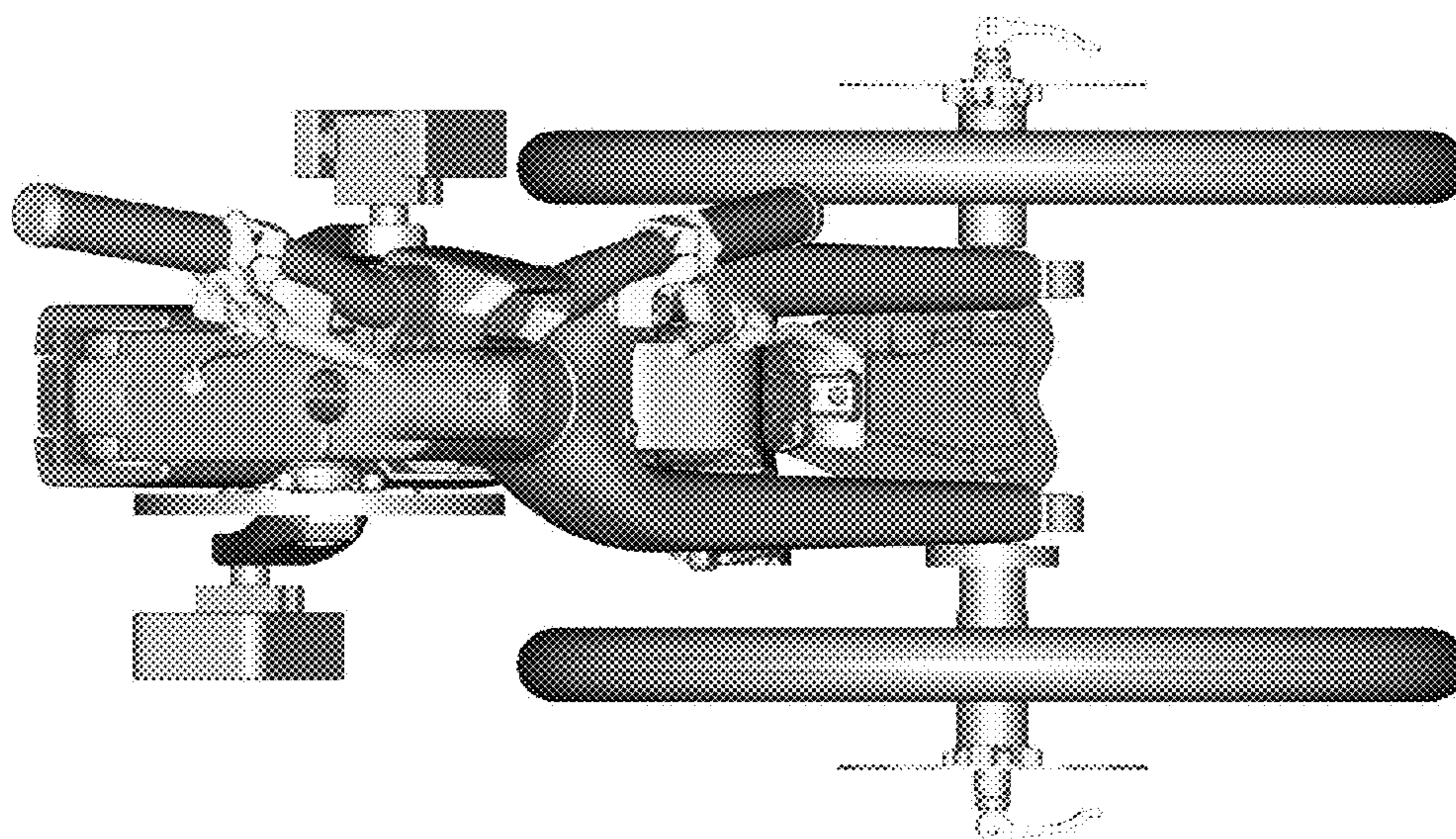


Figure 19

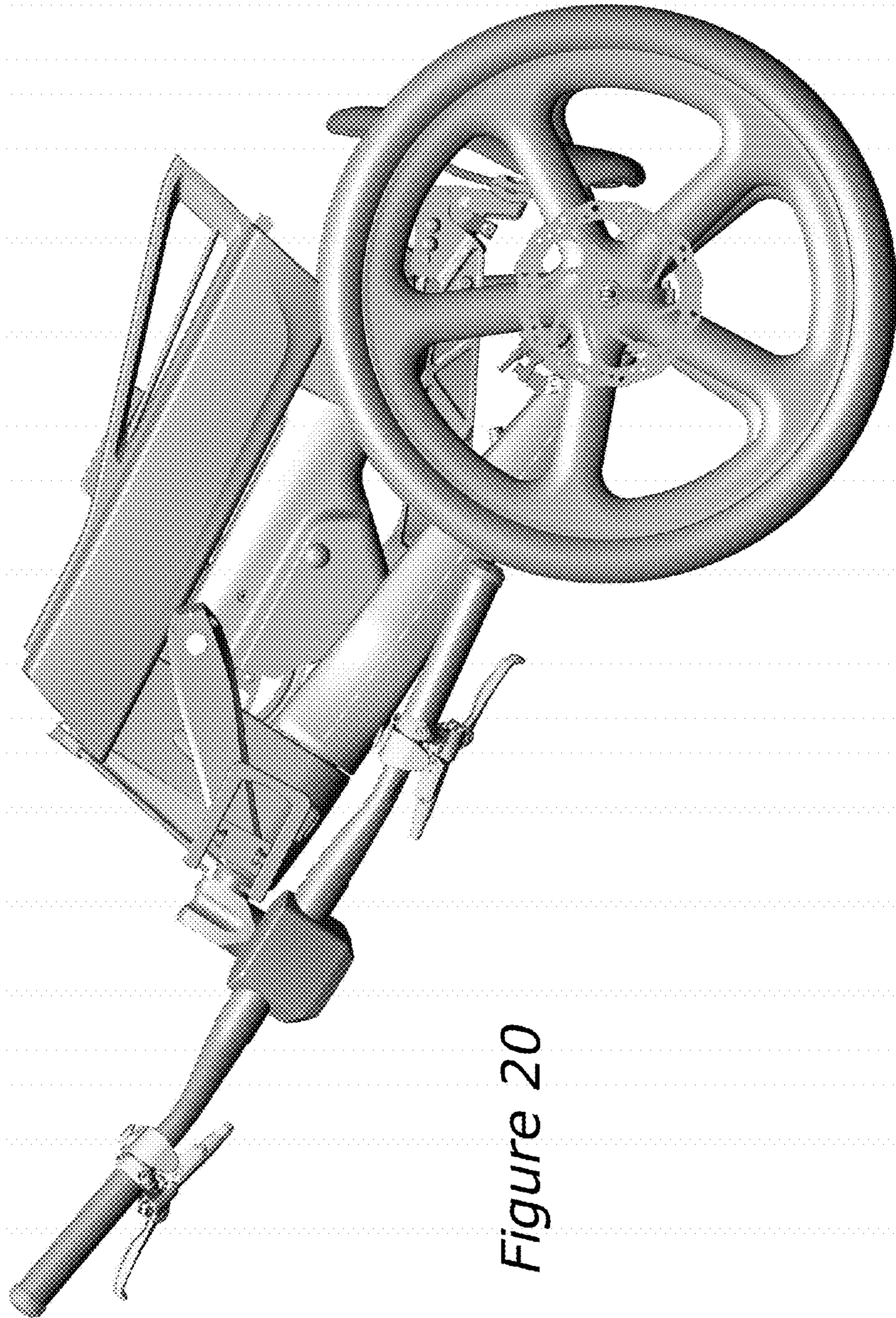


Figure 20

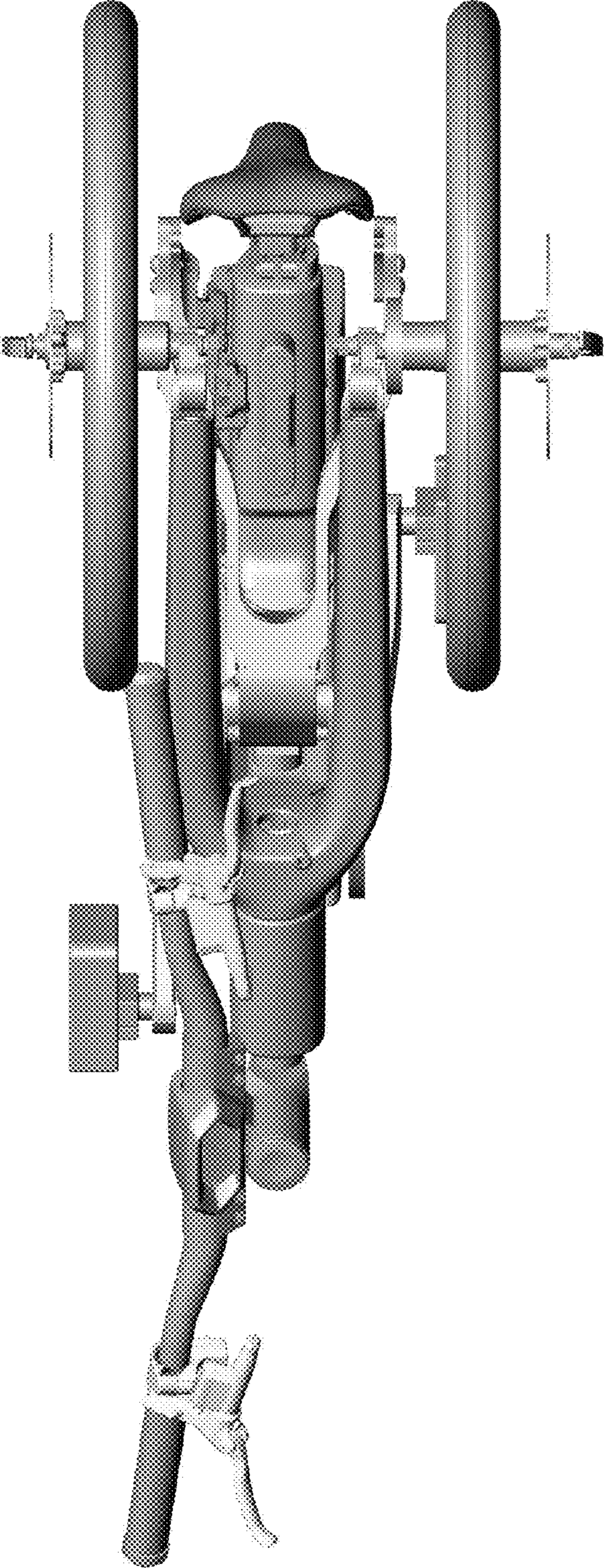


Figure 21

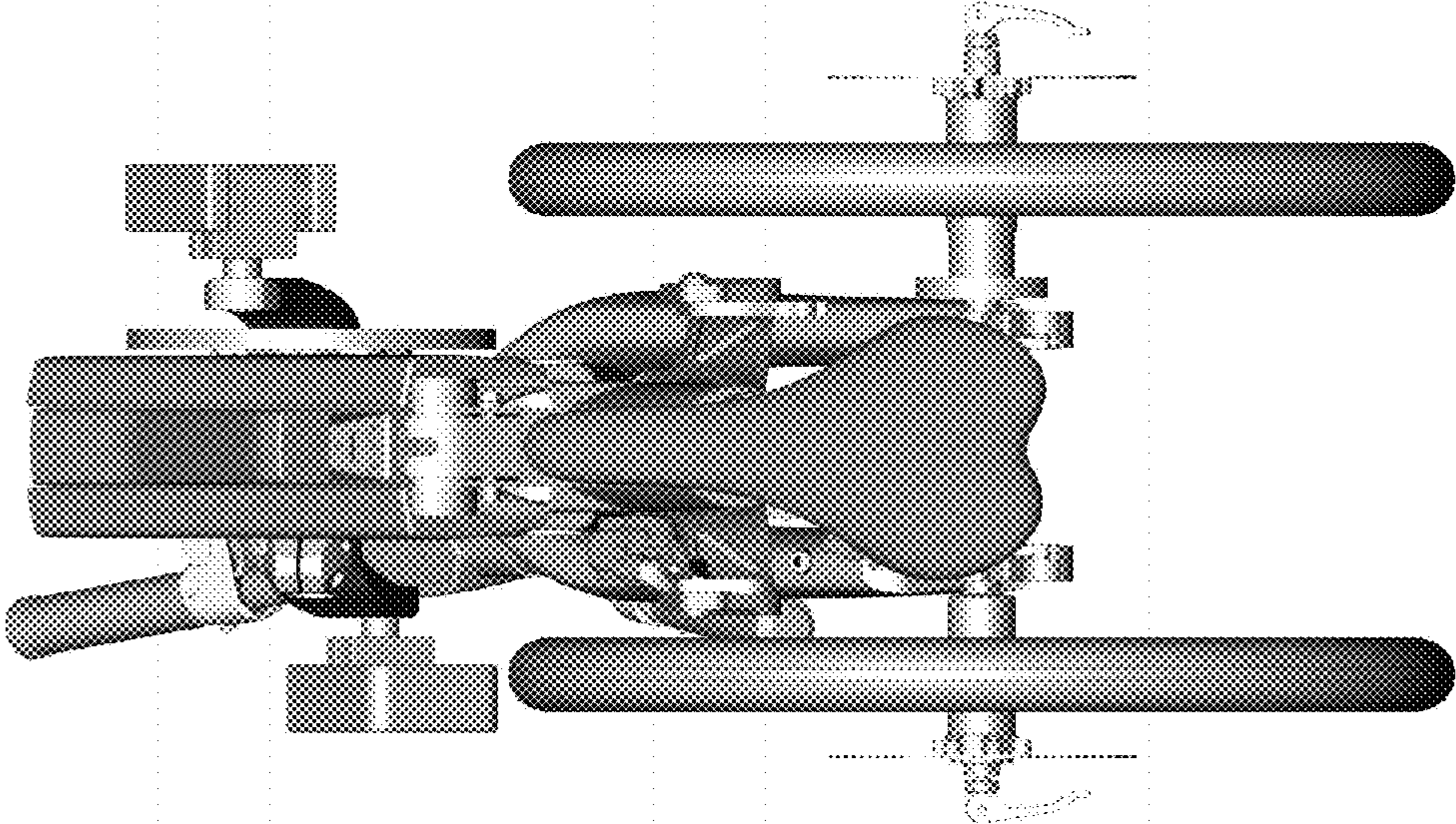


Figure 22

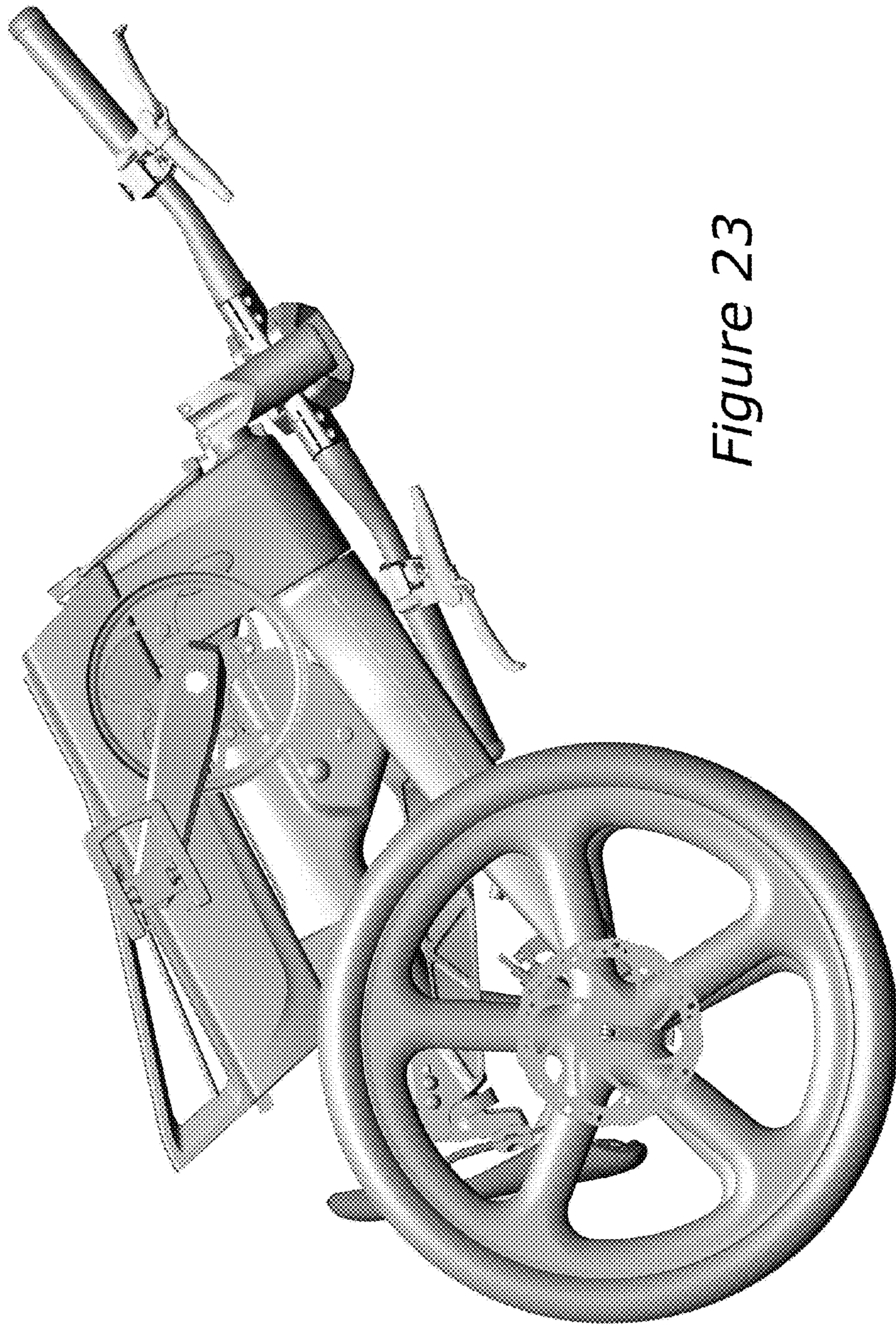


Figure 23

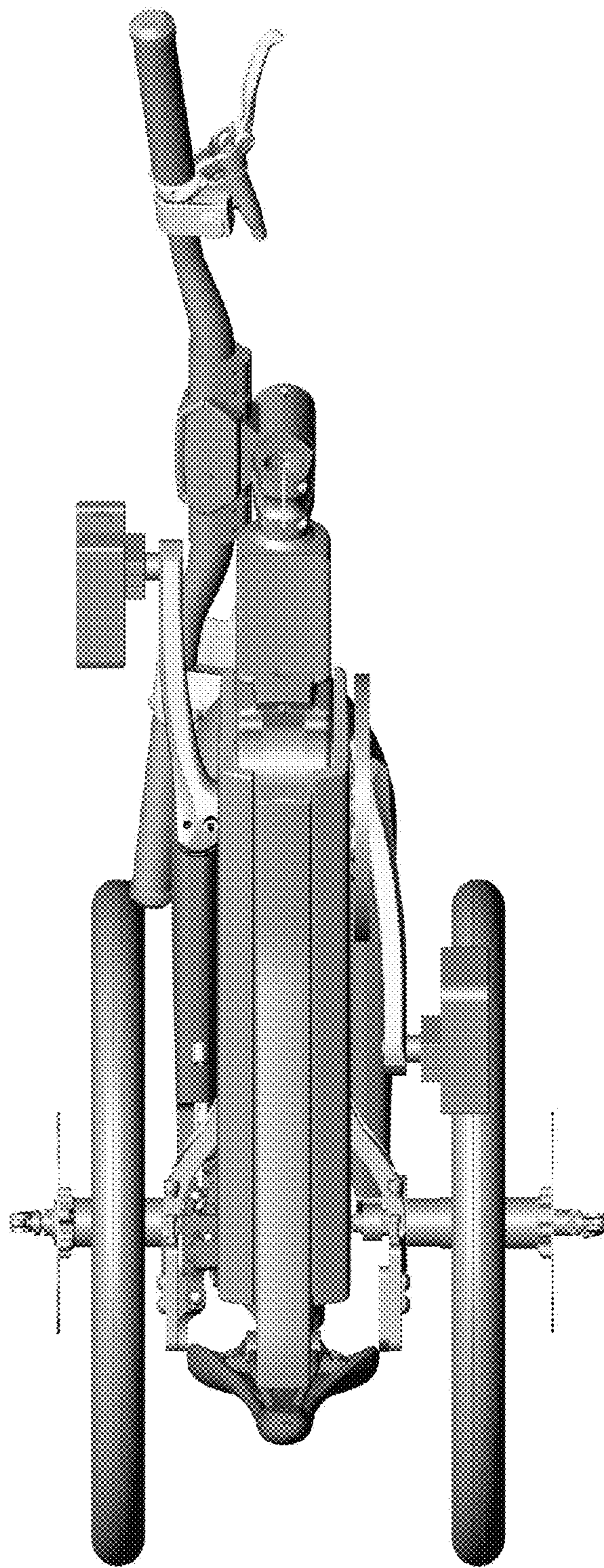


Figure 24