



US00D756262S

(12) **United States Design Patent**
Lee

(10) **Patent No.:** **US D756,262 S**
(45) **Date of Patent:** **** May 17, 2016**

(54) **WIND SPINNER**

(71) Applicant: **Lawrence K. Lee**, Houston, TX (US)

(72) Inventor: **Lawrence K. Lee**, Houston, TX (US)

(**) Term: **14 Years**

(21) Appl. No.: **29/516,278**

(22) Filed: **Jan. 30, 2015**

(51) **LOC (10) Cl.** **11-99**

(52) **U.S. Cl.**
USPC **D11/131; D21/458**

(58) **Field of Classification Search**
USPC D11/131, 157; D21/414, 458, 483, 808
CPC A63H 33/40; A63H 33/007; A63H 1/06;
A63H 7/04; A63H 1/20; A63H 1/30; A63B
19/00; A63B 67/16; A63F 7/38
See application file for complete search history.

(56) **References Cited**

U.S. PATENT DOCUMENTS

D4,877 S *	5/1871	Duff	D21/458
2,085,343 A *	6/1937	Steeple	A47G 33/0809
				248/317
D200,964 S *	4/1965	Phelps	D21/458
D201,657 S *	7/1965	Lewis	D20/21
4,582,497 A *	4/1986	Lyons	A63H 33/40
				446/217
D500,525 S *	1/2005	Kaplan	D20/36
D721,676 S *	1/2015	Hammond	D14/218
9,148,996 B2 *	10/2015	Qiu	A01D 34/001
2007/0014106 A1 *	1/2007	Ronn	F21S 6/001
				362/186

OTHER PUBLICATIONS

Primitive Red Barn Star posted at Factory direct Craft.com, posting date not given, [online], [site visited on Dec. 22, 2015]. Available from internet, <URL:http://factorydirectcraft.com/catalog/products/2030_2152-28933-primitive_red_barn_star.html>.*

Paradise Party Pinwheels posted on amazon.com, posting date not give, [online], [site visited Dec. 28, 2015]. Available from internet, <URL: http://www.amazon.com/PARADISE-PARTY-PIN-WHEELS-DOZEN-Children/dp/B007F0U4VI.html>.*

Country Star Garden Flag Stand posted at JustforFunflags.com, posting date not given, [online], [site visited on Dec. 28, 2015]. Available from internet, <URL: http://www.justforfunflags.com/product/XE1052.html>.*

Country Star Garden Flag Stand posted Sep. 12, 2012 on internet Archive Wayback Machine. Available from internet, <URL:http://web.archive.org/web/20120912002939/http://www.justforfunflags.com/product/XE1052.html>.*

Gold Magic Wand from dreamstime.com, posting date not given, [online],[site visited Dec. 23, 2015]. Available from internet, <URL: http://www.dreamstime.com/royalty-free-stock-images-gold-magic-wand-image20328209.html>.*

(Continued)

Primary Examiner — Karen S Acker

Assistant Examiner — Carmen Arellano-Lado

(74) *Attorney, Agent, or Firm* — Egbert Law Offices, PLLC

(57) **CLAIM**

The ornamental design for a wind spinner, as shown and described.

DESCRIPTION

FIG. 1 is a perspective view of the wind spinner showing my new design.

FIG. 2 is a front view thereof;

FIG. 3 is a rear view thereof;

FIG. 4 is a side view thereof;

FIG. 5 is an opposite side view thereof;

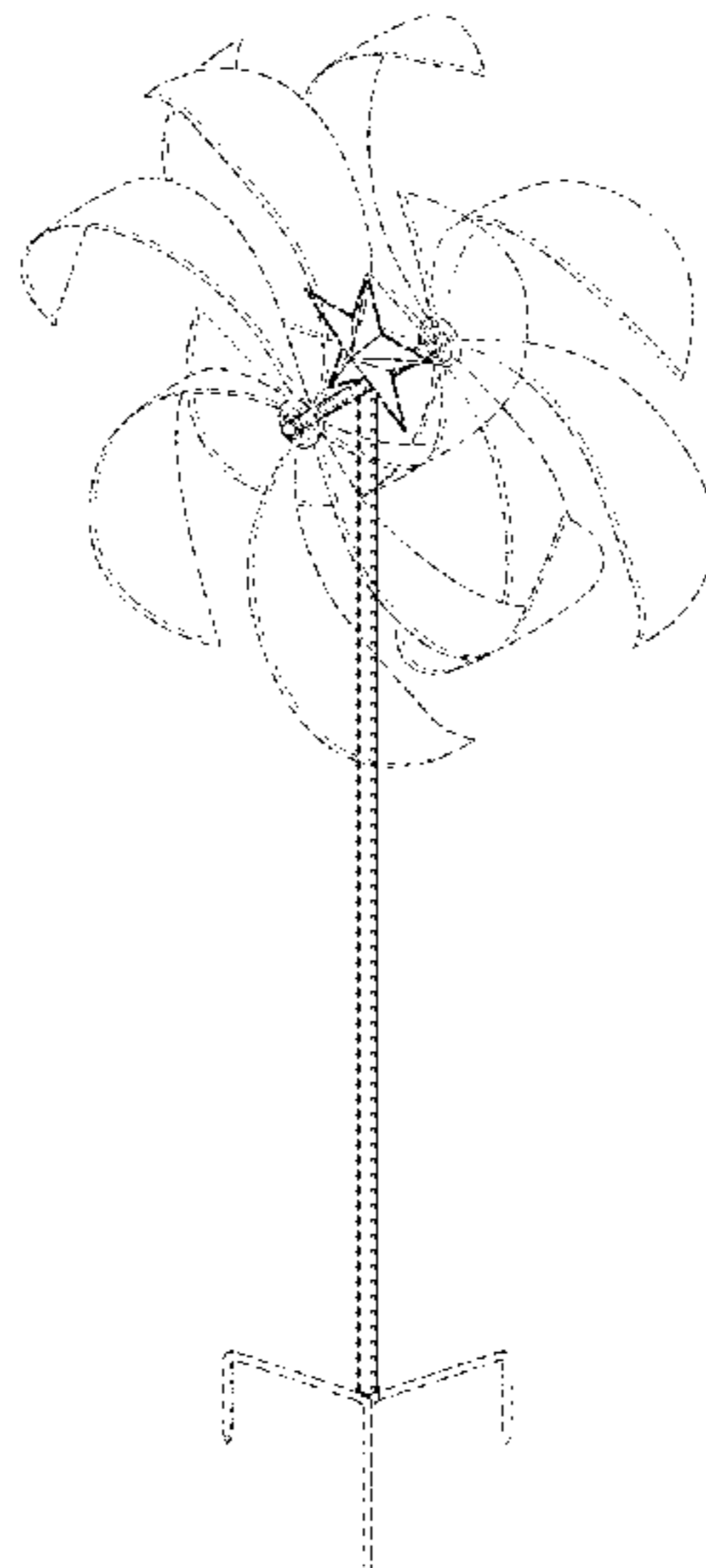
FIG. 6 is a top view thereof;

FIG. 7 is a bottom view thereof; and,

FIG. 8 is a perspective view thereof showing the design of FIG. 1 in a position of use with blades thereon.

The broken lines in the drawings illustrate environmental subject matter that forms no part of the claimed design.

1 Claim, 3 Drawing Sheets



(56)

References Cited

OTHER PUBLICATIONS

Gold Magic Wand posted Nov. 27, 2013 on internet TinEye Reverse Image Search best match www.shutterstock.com. Available from internet, <URL: <http://www.tineye.com/search/bc998a5598fc6922ab0631d1e698f18e9f5964f9/?pluginver=>.html>.*

Glowing Stars Metal Wind Spinner by Wind & Weather, posting date not given; [online], [site visited on Jan. 7, 2016] Available from Internet at: <URL: <http://www.windandweather.com/glowing-stars-metal-wind-spinner.html>>.*

* cited by examiner

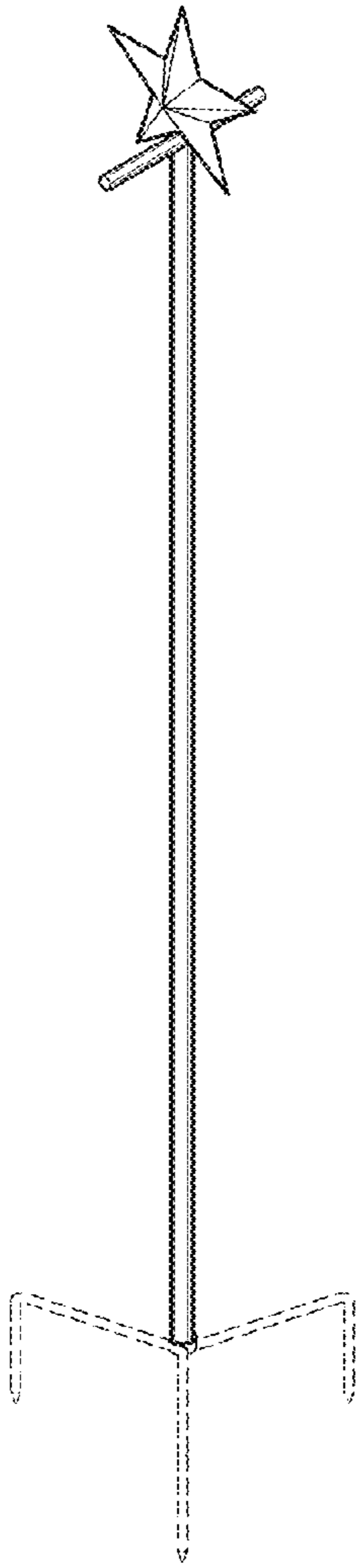


FIG. 1

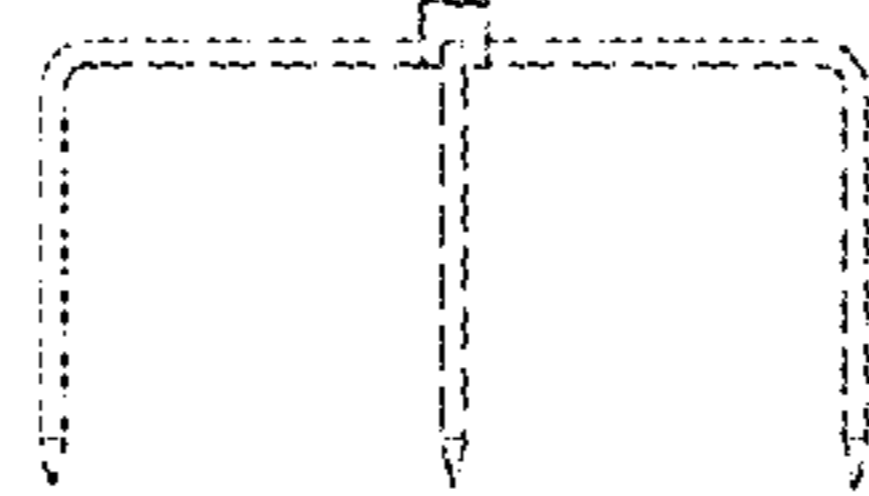
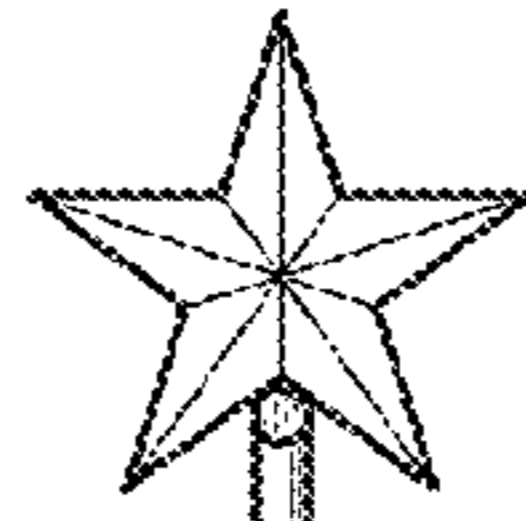


FIG. 2

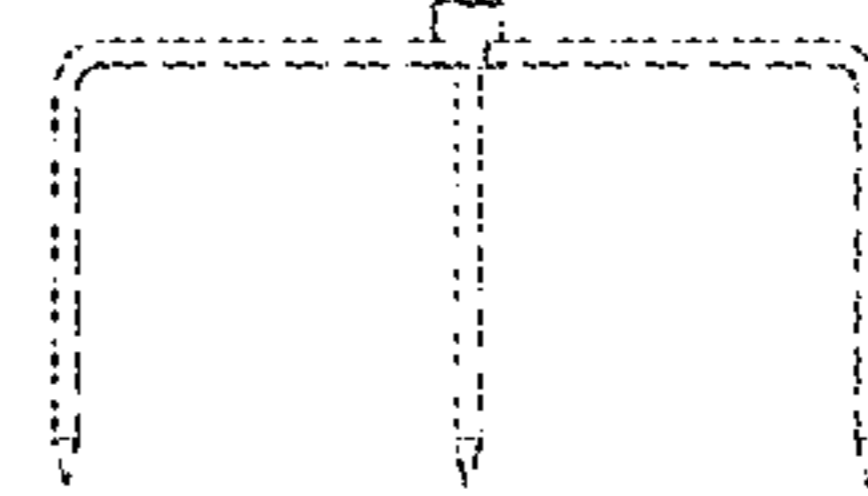
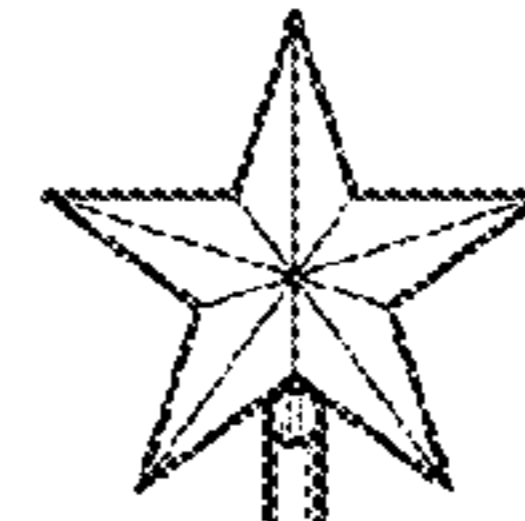


FIG. 3

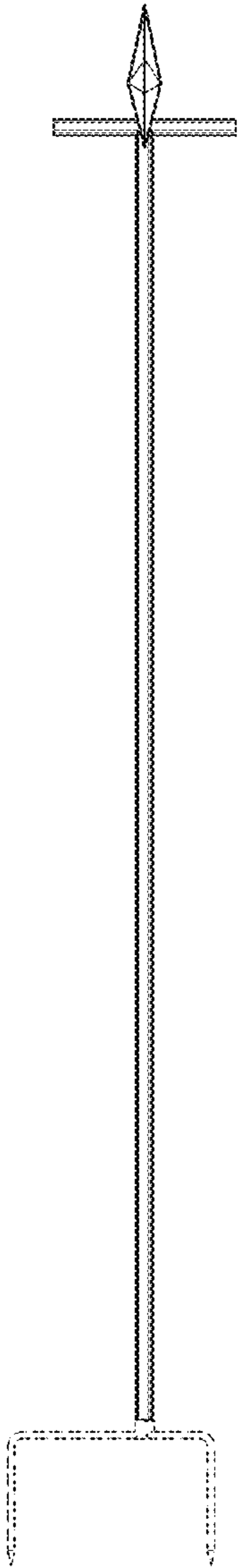


FIG. 4

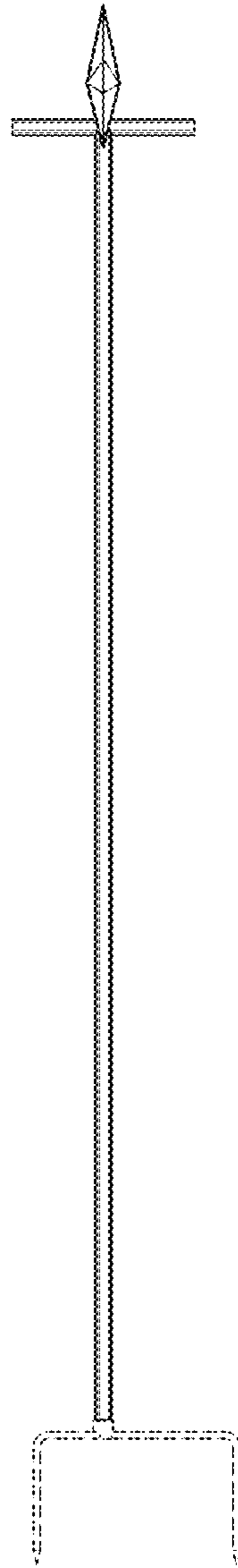


FIG. 5

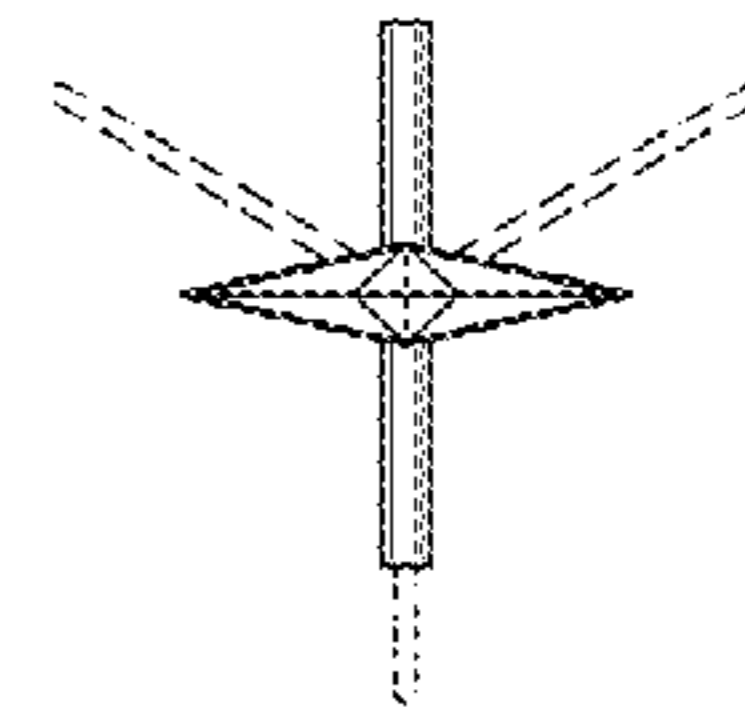


FIG. 6

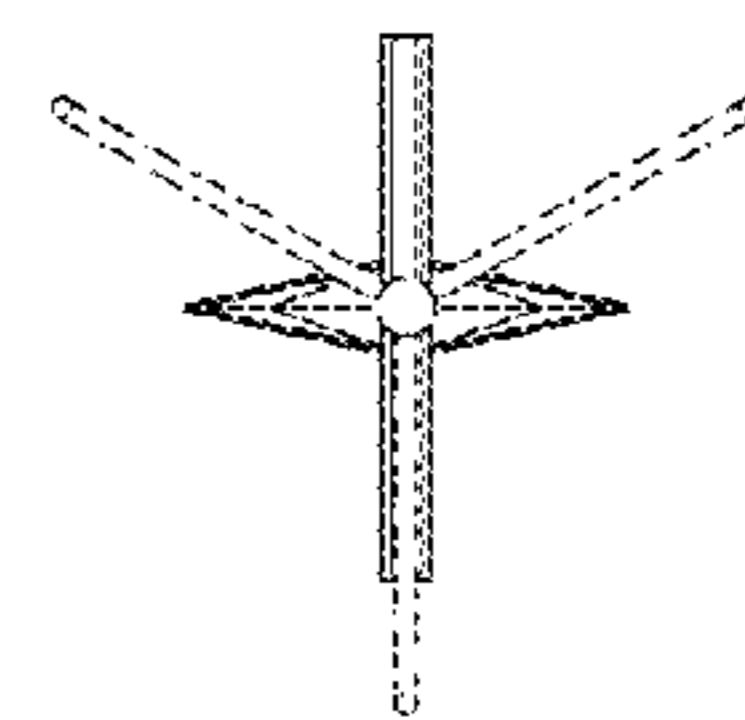


FIG. 7

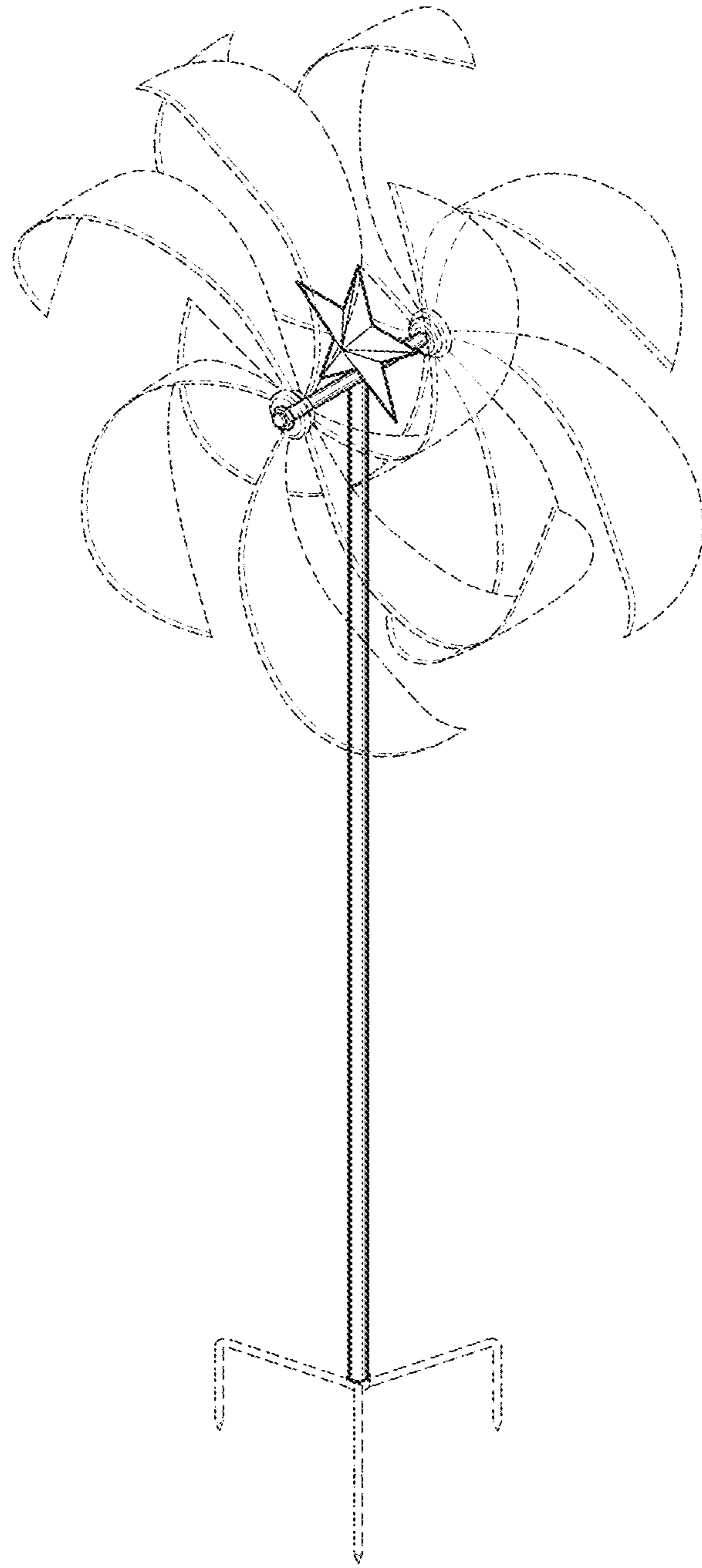


FIG. 8