



US00D756257S

(12) **United States Design Patent**
Hinebaugh et al.

(10) **Patent No.:** **US D756,257 S**

(45) **Date of Patent:** **** May 17, 2016**

(54) **BARRIER COVER**

(71) Applicants: **Jeffrey P. Hinebaugh**, Cincinnati, OH
(US); **John J. Hoffmann**, Dayton, OH
(US)

(72) Inventors: **Jeffrey P. Hinebaugh**, Cincinnati, OH
(US); **John J. Hoffmann**, Dayton, OH
(US)

(**) Term: **14 Years**

(21) Appl. No.: **29/508,064**

(22) Filed: **Nov. 3, 2014**

(51) **LOC (10) Cl.** **10-05**

(52) **U.S. Cl.**
USPC **D10/113.3**

(58) **Field of Classification Search**
USPC D10/113.3, 113.1; D20/10
CPC E01F 9/09; E01F 9/087; E01F 15/085
See application file for complete search history.

(56) **References Cited**

U.S. PATENT DOCUMENTS

D351,422 S *	10/1994	Morris	D10/113.1
5,772,357 A *	6/1998	Evans	E01F 9/019 256/13.1
D420,928 S *	2/2000	Spiller	D10/113.3
6,692,182 B1 *	2/2004	Fenimore	E01F 9/087 404/7

7,351,003 B1 *	4/2008	Fenimore	E01F 15/085 40/565
D622,773 S *	8/2010	Giudicelli	D20/10
D665,455 S *	8/2012	Giudicelli	D20/10
8,985,890 B2 *	3/2015	Miracle	E01F 13/048 404/6
9,117,380 B2 *	8/2015	Walters	G09F 7/18

* cited by examiner

Primary Examiner — George D Kirschbaum

(74) *Attorney, Agent, or Firm* — Dinsmore & Shohl LLP

(57) **CLAIM**

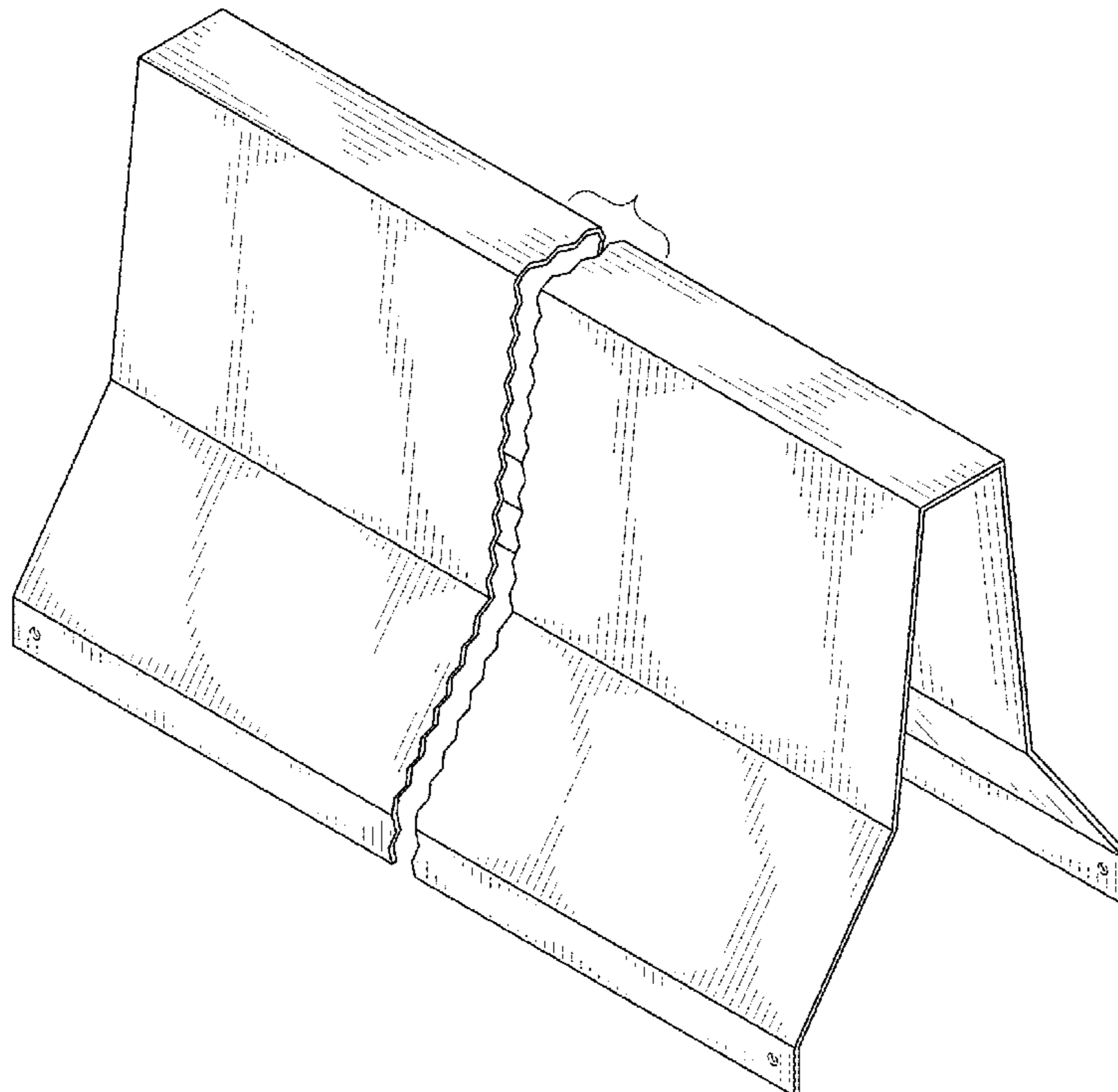
The ornamental design for a barrier cover, as shown and described.

DESCRIPTION

FIG. 1 is a perspective view of a barrier cover;
FIG. 2 is a front elevation view or a rear elevation view thereof;
FIG. 3 is a right side elevation view or a left side elevation view thereof;
FIG. 4 is a top plan view thereof;
FIG. 5 is a bottom plan view thereof; and,
FIG. 6 is a perspective environmental view thereof positioned on a barrier.

The broken line showing of a barrier is included for the purpose of illustrating portions of the "article" and forms no part of the claimed design.

1 Claim, 5 Drawing Sheets



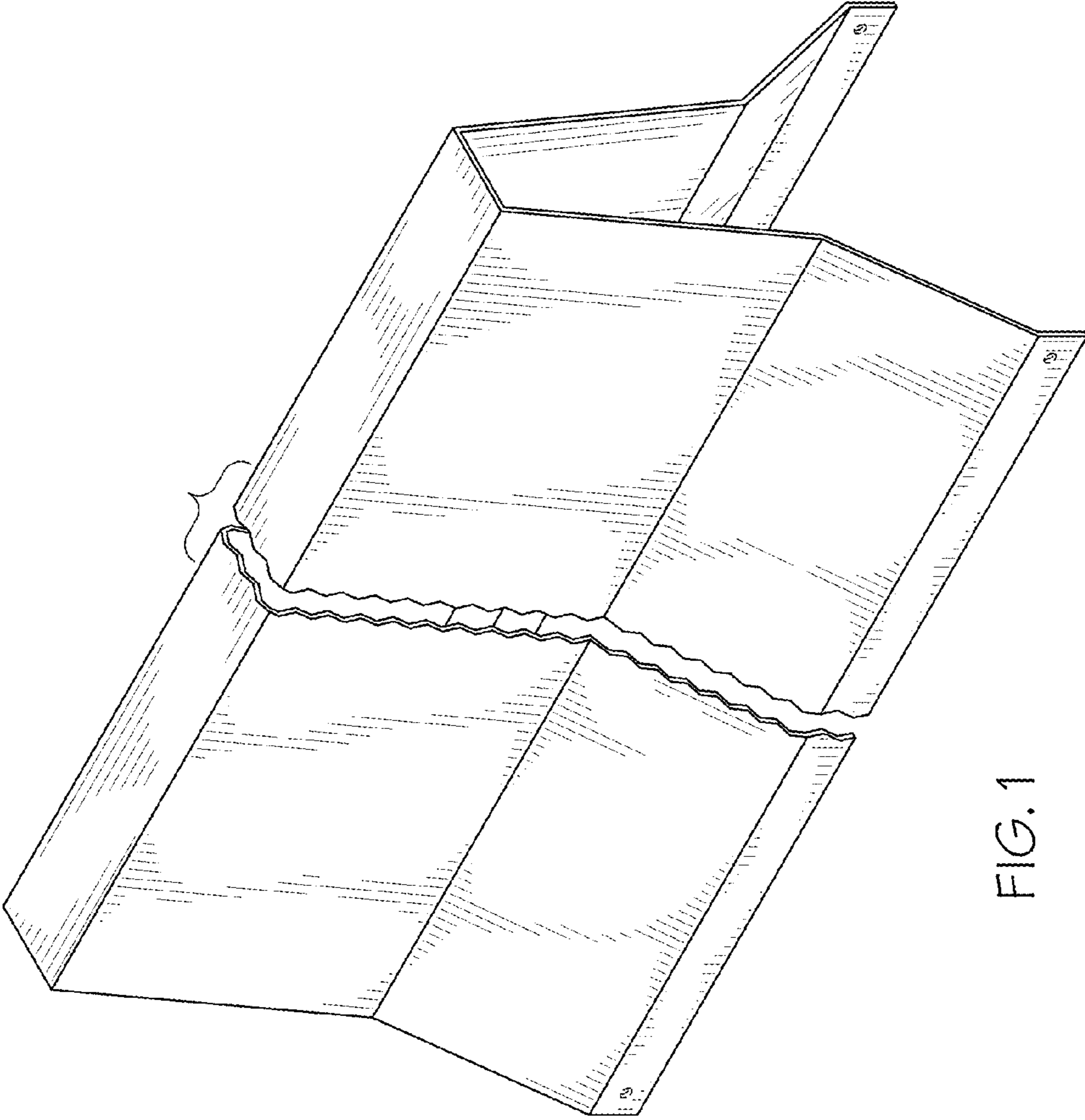


FIG. 1

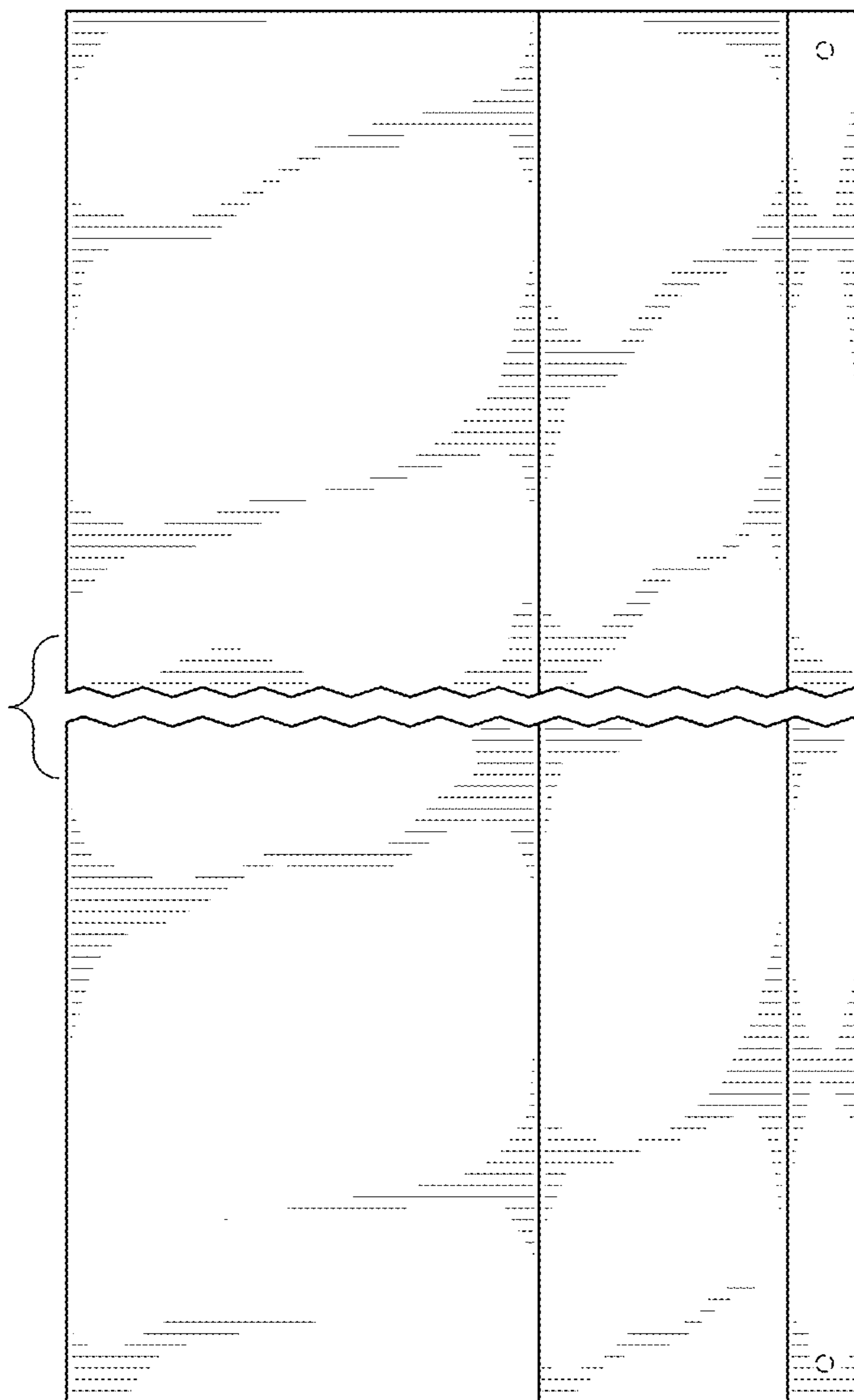


FIG. 2

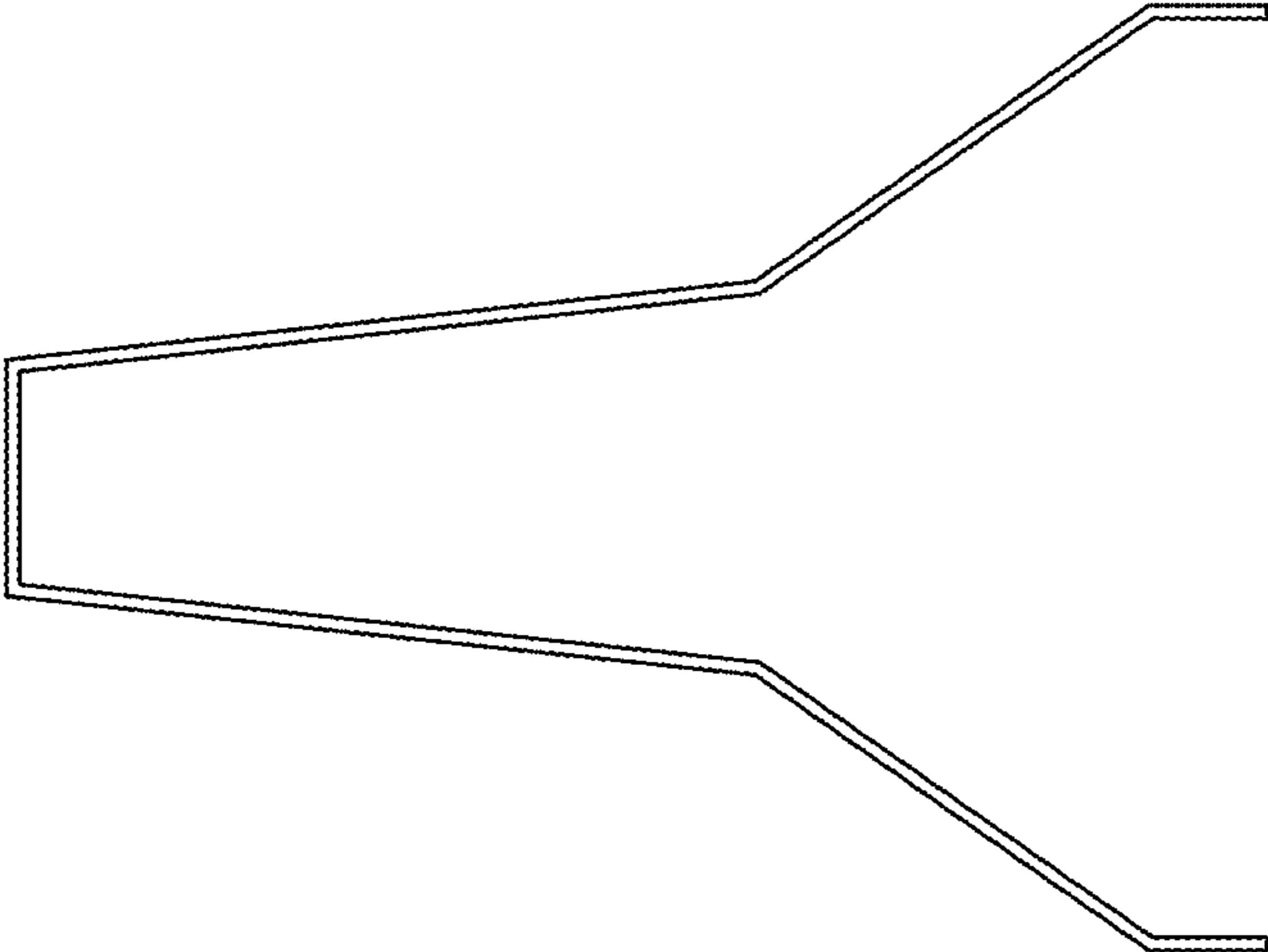


FIG. 3

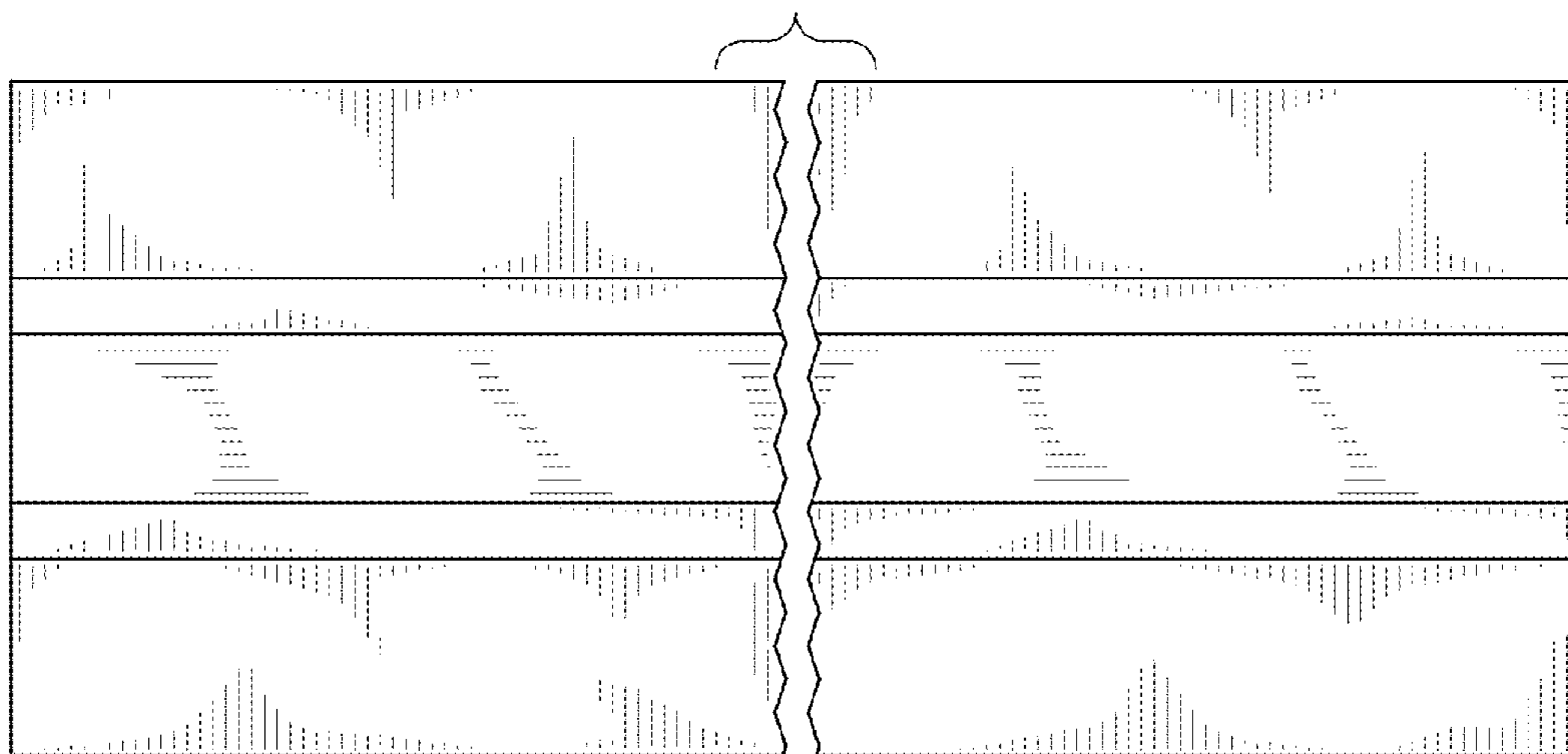


FIG. 4

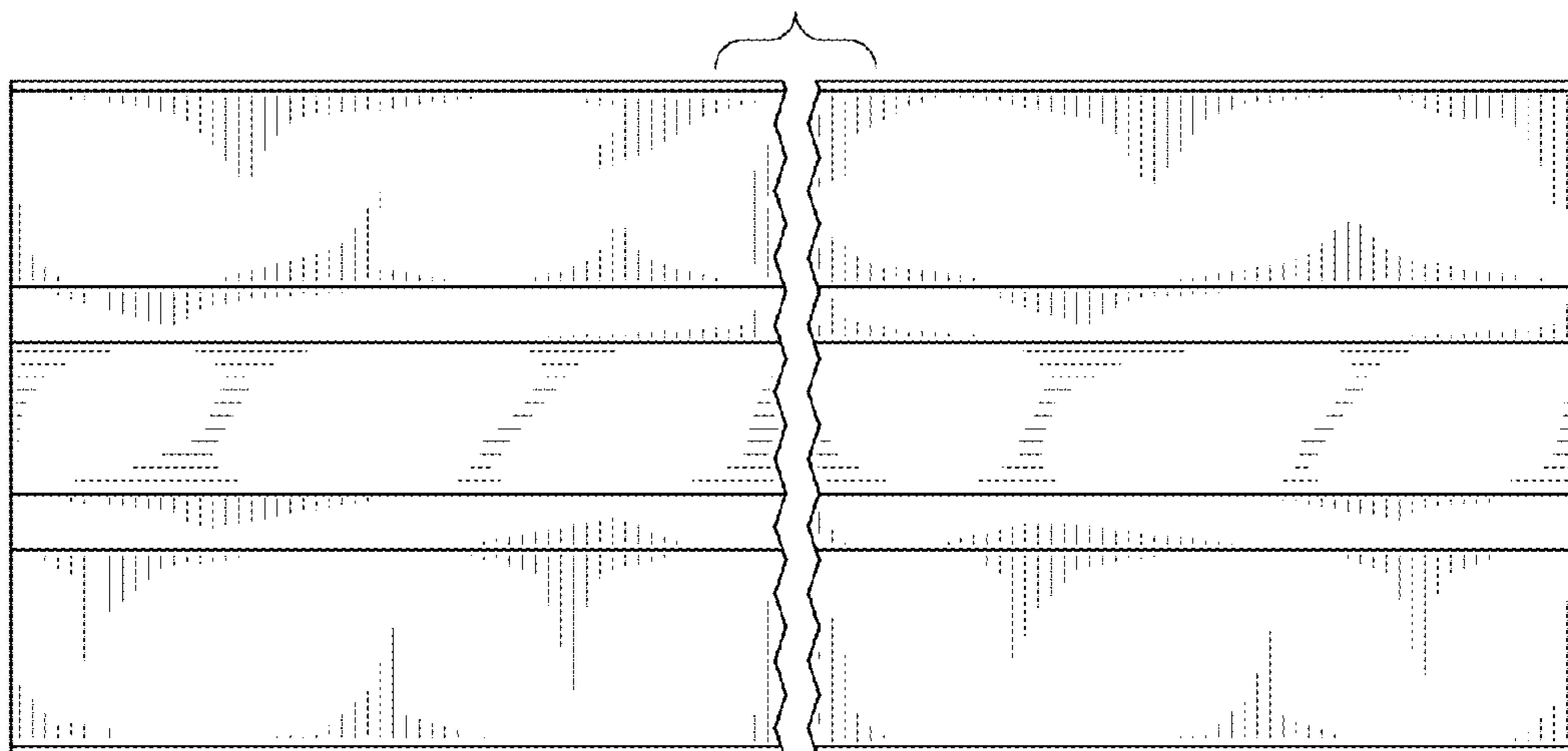


FIG. 5

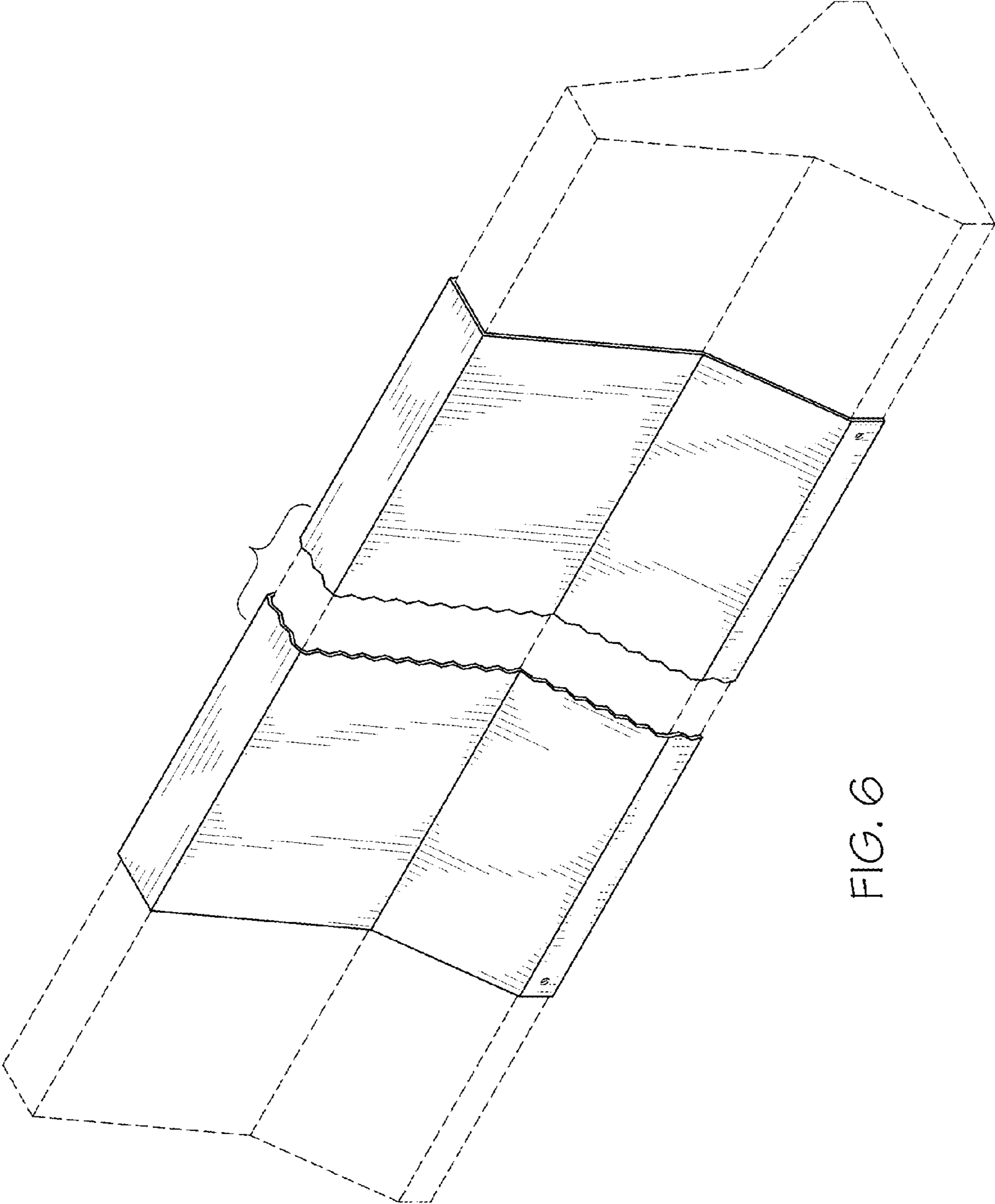


FIG. 6