



US00D756256S

(12) **United States Design Patent**  
**Hinebaugh et al.**

(10) **Patent No.:** **US D756,256 S**  
(45) **Date of Patent:** **\*\* May 17, 2016**

- (54) **BARRIER COVER**
- (71) Applicants: **Jeffrey P. Hinebaugh**, Cincinnati, OH (US); **John J. Hoffmann**, Dayton, OH (US)
- (72) Inventors: **Jeffrey P. Hinebaugh**, Cincinnati, OH (US); **John J. Hoffmann**, Dayton, OH (US)
- (\*\*) Term: **14 Years**
- (21) Appl. No.: **29/508,063**
- (22) Filed: **Nov. 3, 2014**
- (51) **LOC (10) Cl.** ..... **10-05**
- (52) **U.S. Cl.**  
USPC ..... **D10/113.3**
- (58) **Field of Classification Search**  
USPC ..... D10/113.3, 113.1; D20/10  
CPC ..... E01F 9/09; E01F 9/087; E01F 15/085  
See application file for complete search history.

- 7,351,003 B1 \* 4/2008 Fenimore ..... E01F 15/085  
40/565
- D622,773 S \* 8/2010 Giudicelli ..... D20/10
- D665,455 S \* 8/2012 Giudicelli ..... D20/10
- 8,985,890 B2 \* 3/2015 Miracle ..... E01F 13/048  
404/6
- 9,117,380 B2 \* 8/2015 Walters ..... G09F 7/18

\* cited by examiner

*Primary Examiner* — George D Kirschbaum  
(74) *Attorney, Agent, or Firm* — Dinsmore & Shohl LLP

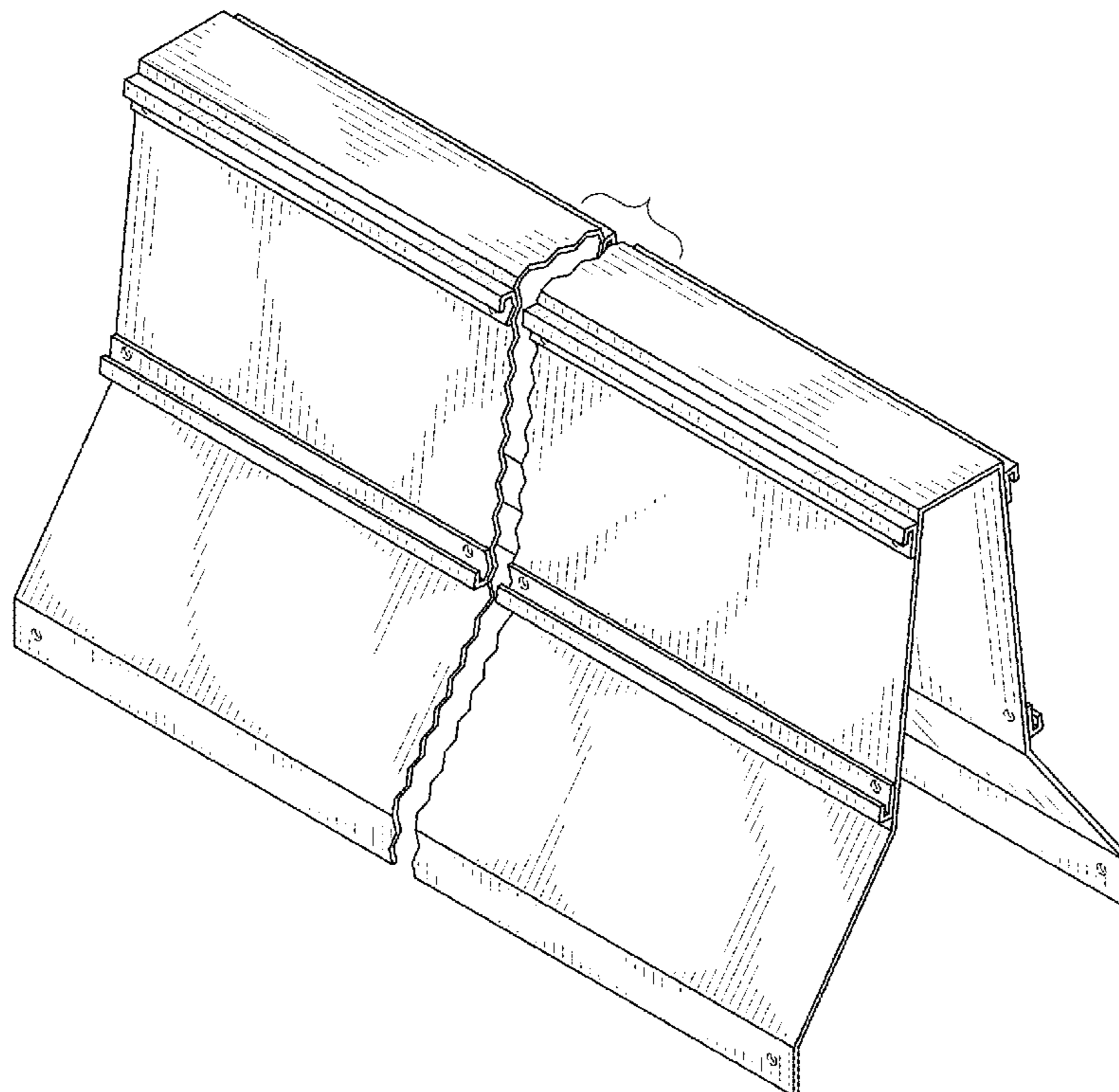
(57) **CLAIM**  
The ornamental design for a barrier cover, as shown and described.

**DESCRIPTION**

FIG. 1 is a perspective view of a barrier cover;  
FIG. 2 is a front elevation view or a rear elevation view thereof;  
FIG. 3 is a right side elevation view or a left side elevation view thereof;  
FIG. 4 is a top plan view thereof;  
FIG. 5 is a bottom plan view thereof; and,  
FIG. 6 is a perspective environmental view thereof positioned on a barrier.  
The broken line showing of a barrier is included for the purpose of illustrating portions of the “article” and forms no part of the claimed design.

**1 Claim, 5 Drawing Sheets**

- (56) **References Cited**  
U.S. PATENT DOCUMENTS  
D351,422 S \* 10/1994 Morris ..... D10/113.1  
5,772,357 A \* 6/1998 Evans ..... E01F 9/019  
256/13.1  
D420,928 S \* 2/2000 Spiller ..... D10/113.3  
6,692,182 B1 \* 2/2004 Fenimore ..... E01F 9/087  
404/7



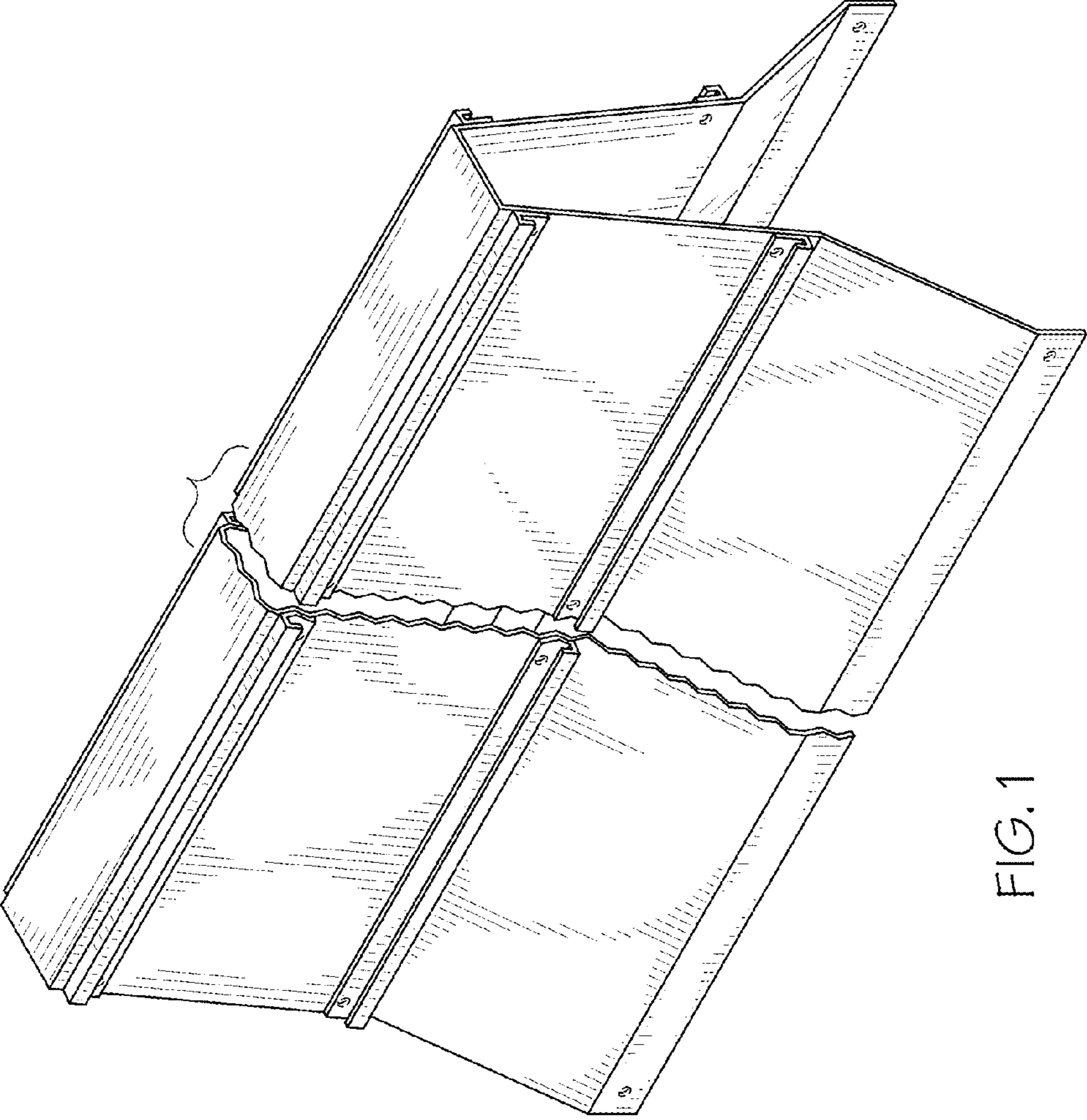


FIG.1

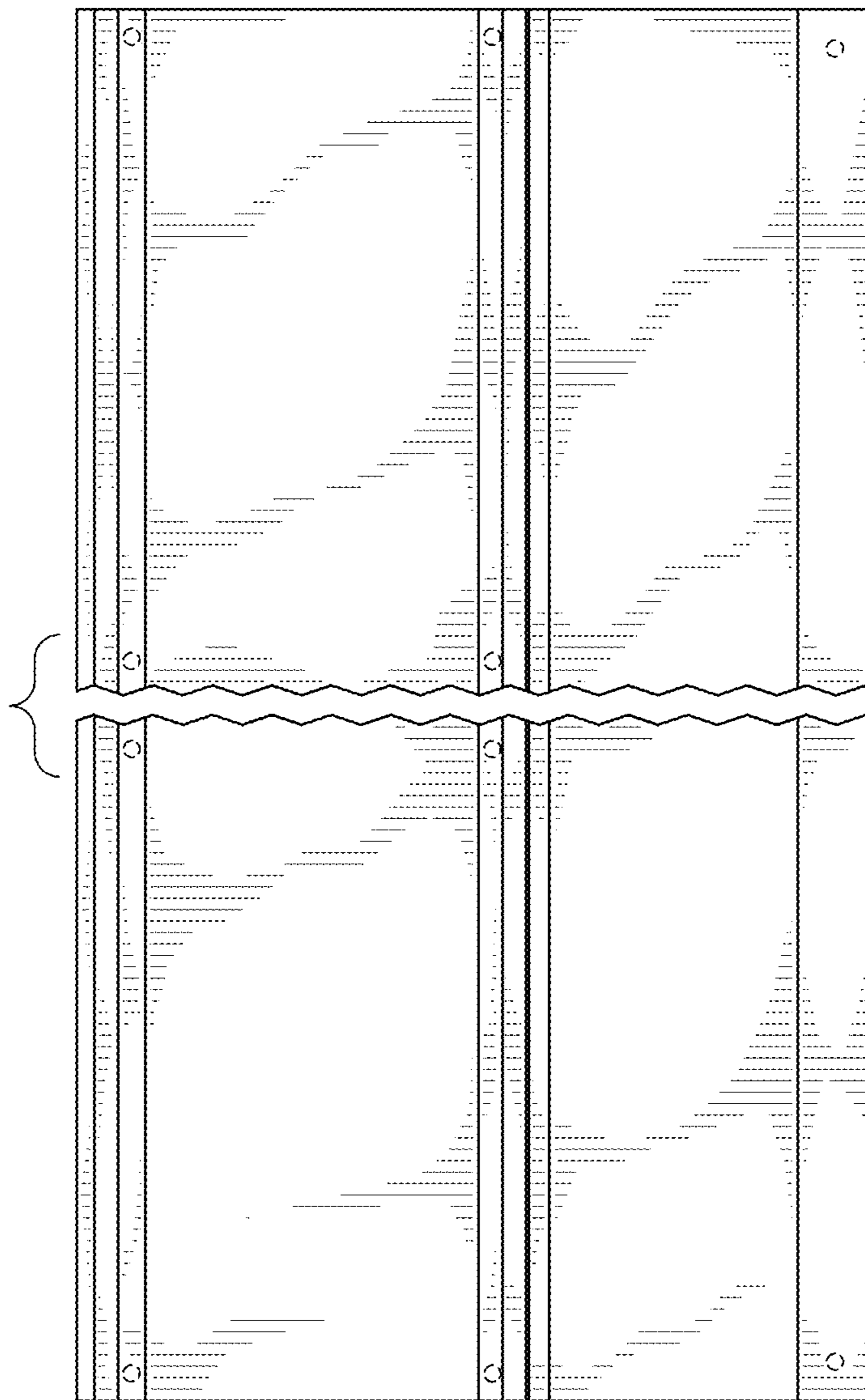


FIG. 2

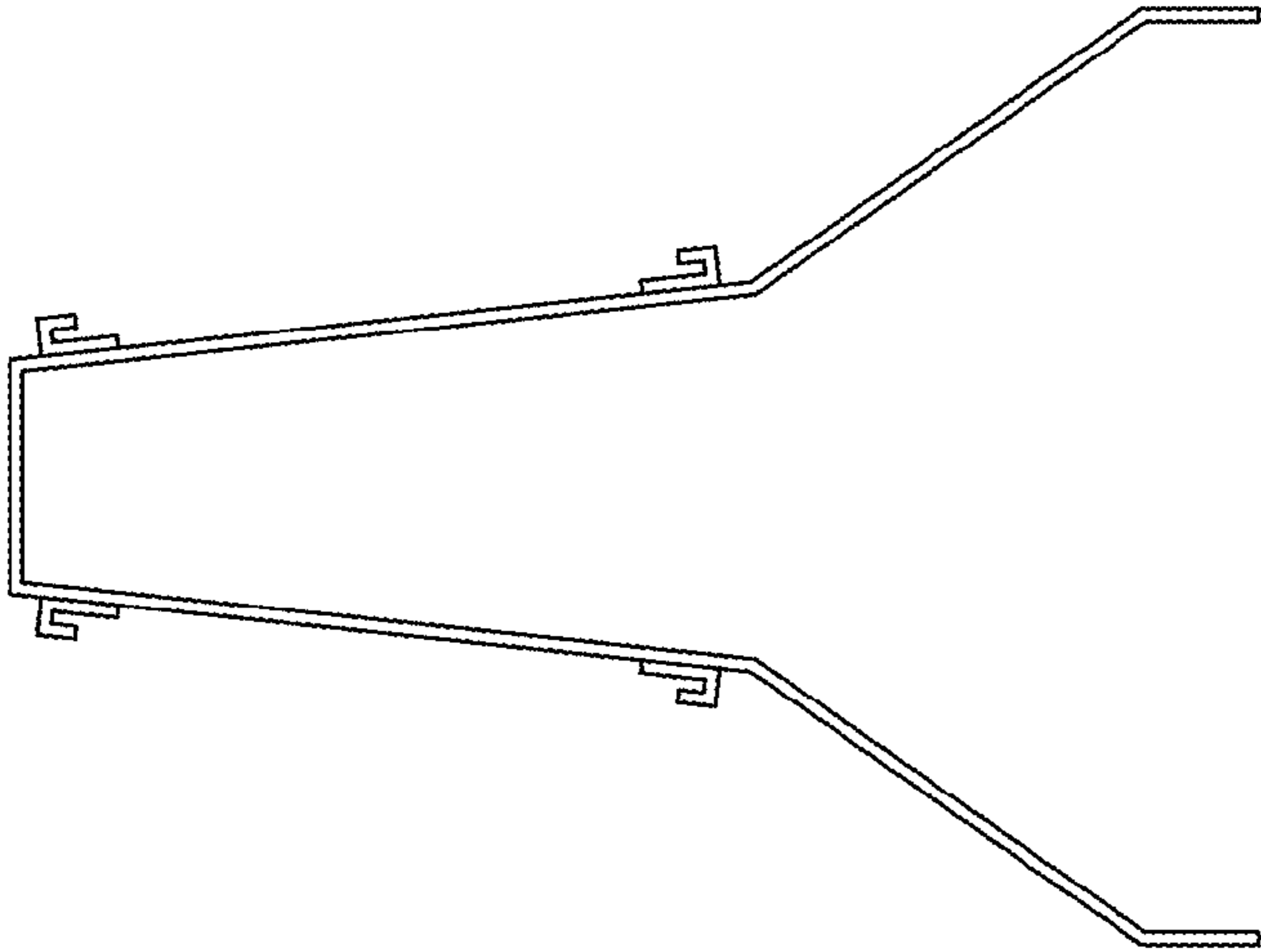


FIG. 3

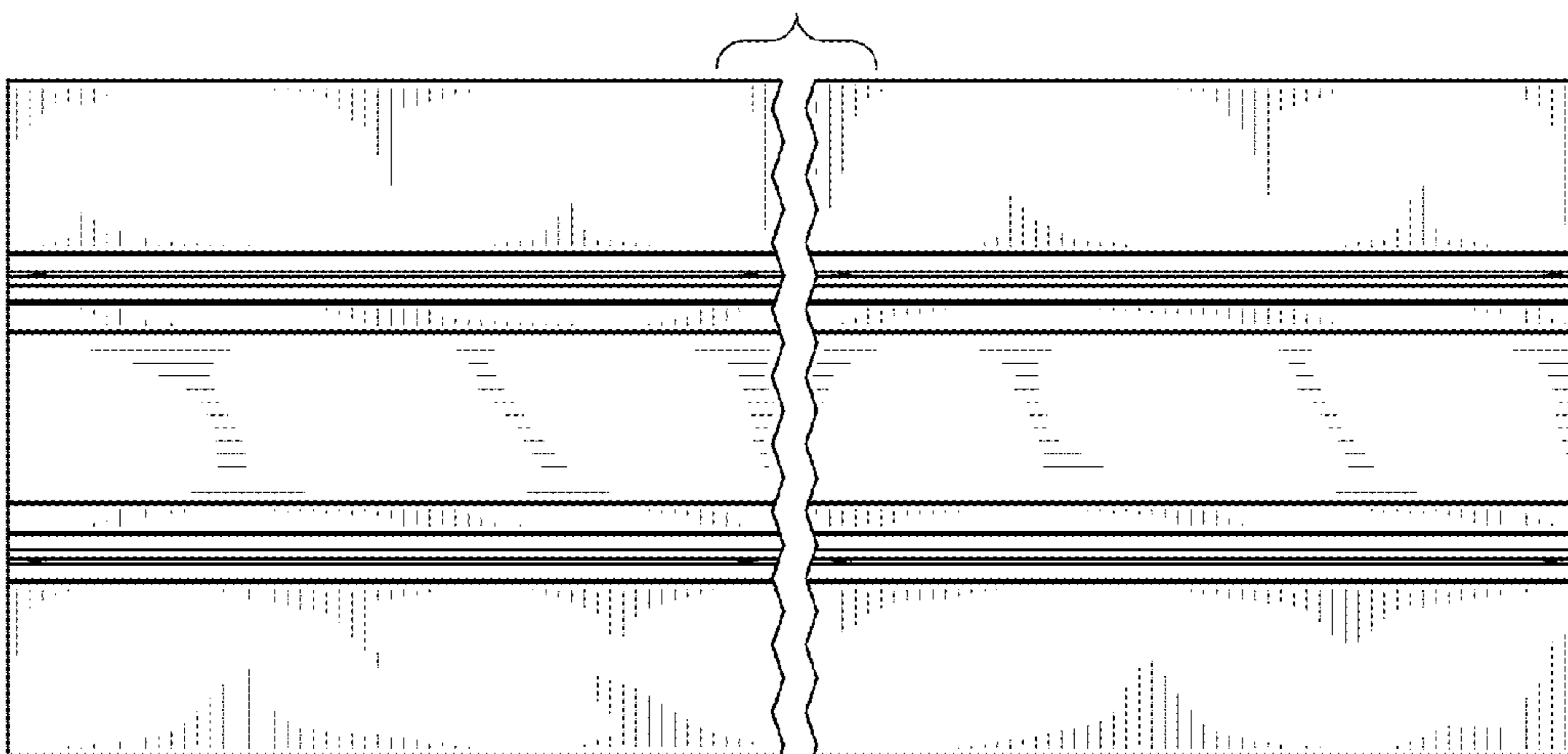


FIG. 4

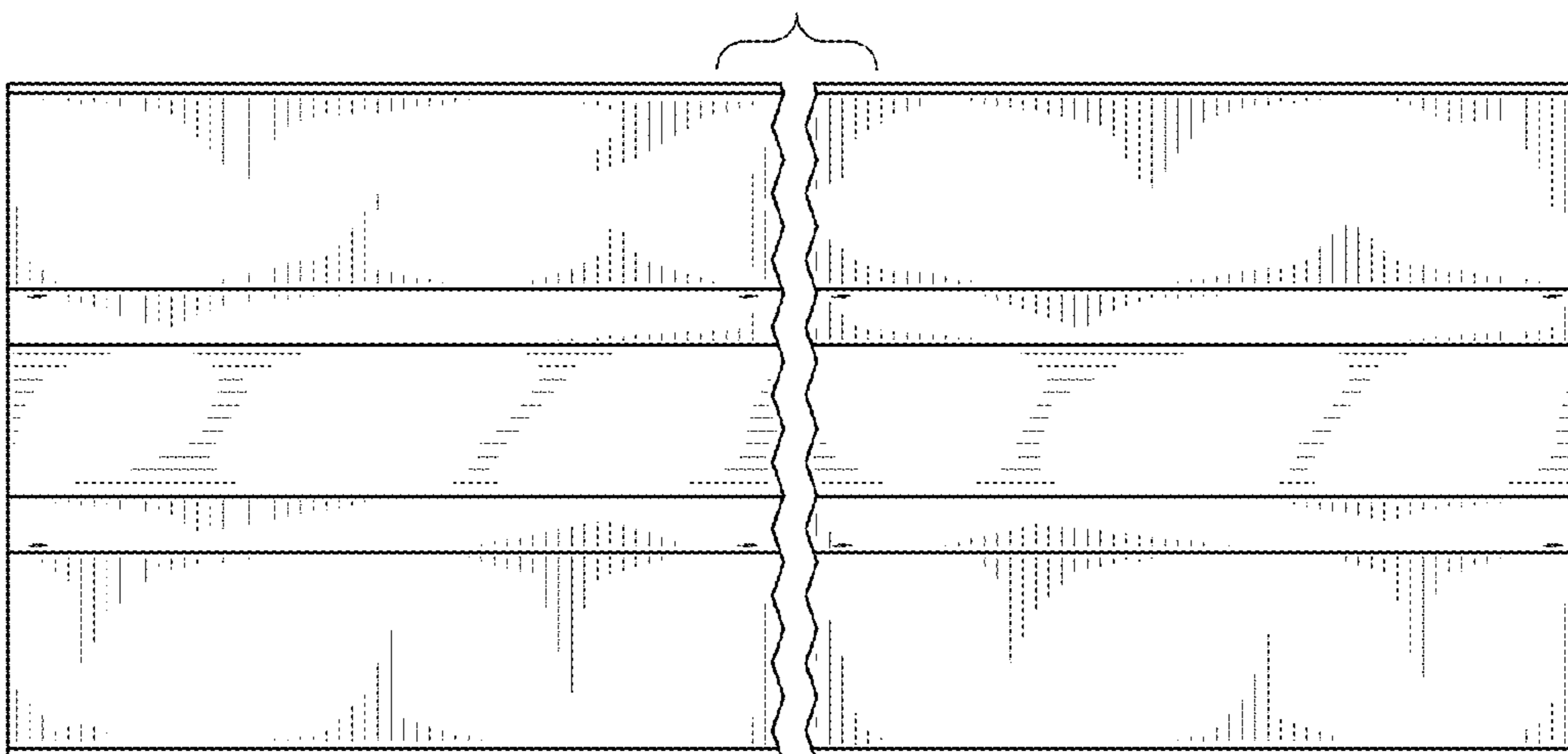


FIG. 5



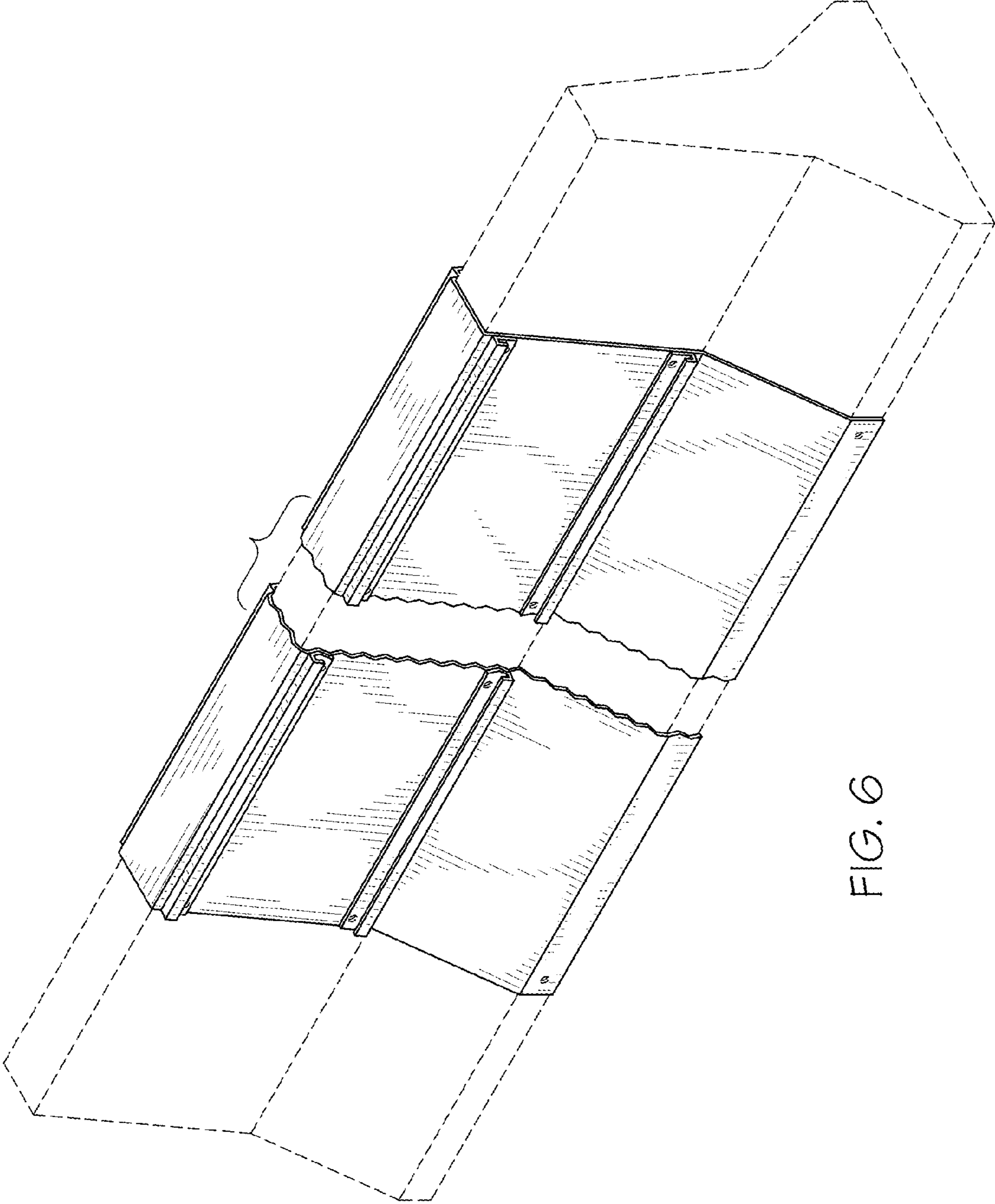


FIG. 6