



US00D756255S

(12) **United States Design Patent**
Hinebaugh et al.

(10) **Patent No.:** **US D756,255 S**
(45) **Date of Patent:** **** May 17, 2016**

- (54) **BARRIER COVER**
- (71) Applicants: **Jeffrey P. Hinebaugh**, Cincinnati, OH (US); **John J. Hoffmann**, Dayton, OH (US)
- (72) Inventors: **Jeffrey P. Hinebaugh**, Cincinnati, OH (US); **John J. Hoffmann**, Dayton, OH (US)
- (**) Term: **14 Years**
- (21) Appl. No.: **29/508,062**
- (22) Filed: **Nov. 3, 2014**
- (51) **LOC (10) Cl.** **10-05**
- (52) **U.S. Cl.**
USPC **D10/113.3**
- (58) **Field of Classification Search**
USPC D10/113.3, 113.1; D20/10
CPC E01F 9/09; E01F 9/087; E01F 15/085
See application file for complete search history.

- 7,351,003 B1 * 4/2008 Fenimore E01F 15/085
40/565
- D622,773 S * 8/2010 Giudicelli D20/10
- D665,455 S * 8/2012 Giudicelli D20/10
- 8,985,890 B2 * 3/2015 Miracle E01F 13/048
404/6
- 9,117,380 B2 * 8/2015 Walters G09F 7/18

* cited by examiner

Primary Examiner — George D Kirschbaum
(74) *Attorney, Agent, or Firm* — Dinsmore & Shohl LLP

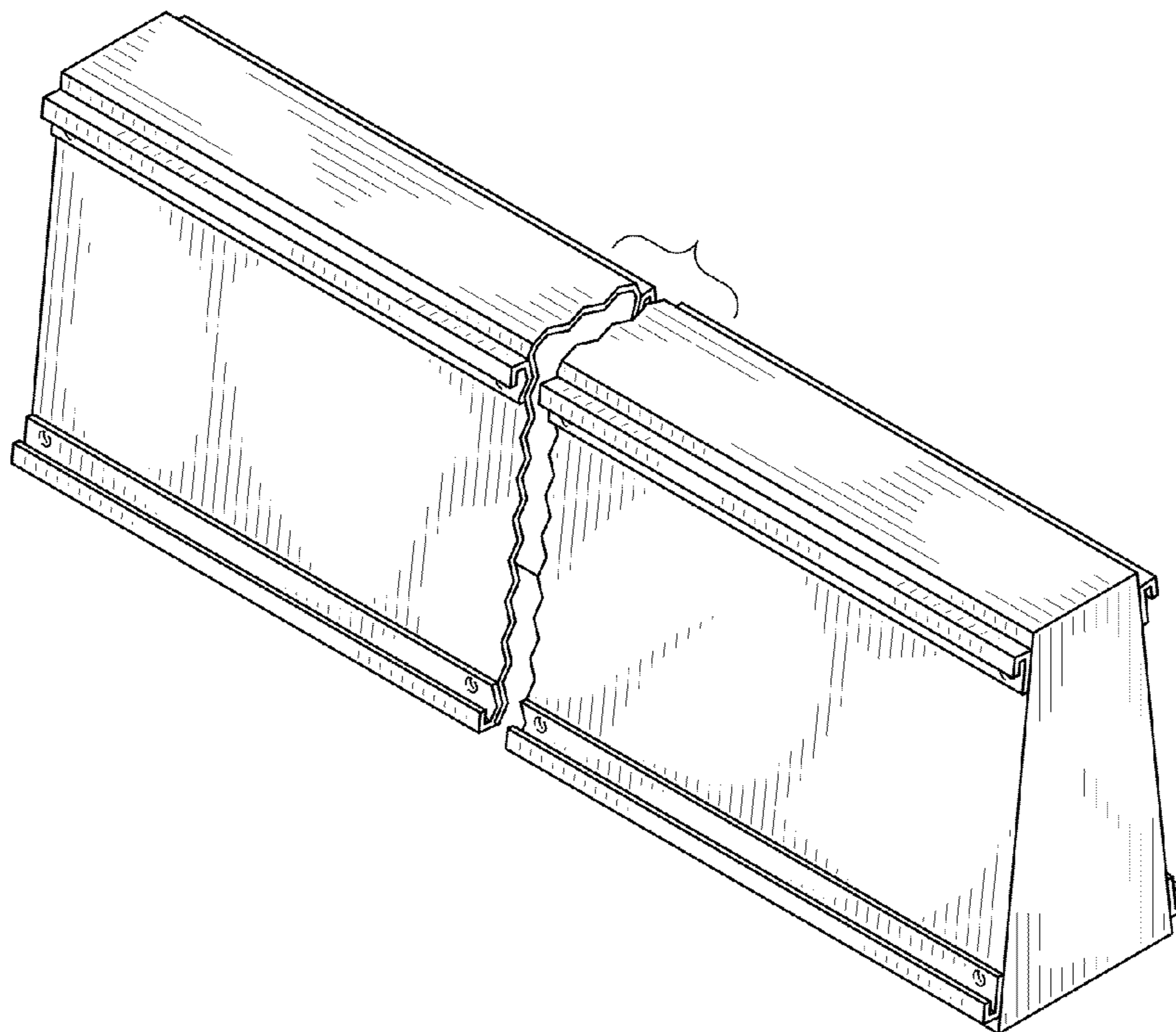
(57) **CLAIM**
The ornamental design for a barrier cover, as shown and described.

DESCRIPTION

FIG. 1 is a perspective view of a barrier cover;
FIG. 2 is a front elevation view or a rear elevation view thereof;
FIG. 3 is a right side elevation view or a left side elevation view thereof;
FIG. 4 is a top plan view thereof;
FIG. 5 is a bottom plan view thereof; and,
FIG. 6 is a perspective environmental view thereof positioned on a barrier.
The broken line showing of a barrier is included for the purpose of illustrating portions of the “article” and forms no part of the claimed design.

1 Claim, 4 Drawing Sheets

- (56) **References Cited**
U.S. PATENT DOCUMENTS
D351,422 S * 10/1994 Morris D10/113.1
5,772,357 A * 6/1998 Evans E01F 9/019
256/13.1
D420,928 S * 2/2000 Spiller D10/113.3
6,692,182 B1 * 2/2004 Fenimore E01F 9/087
404/7



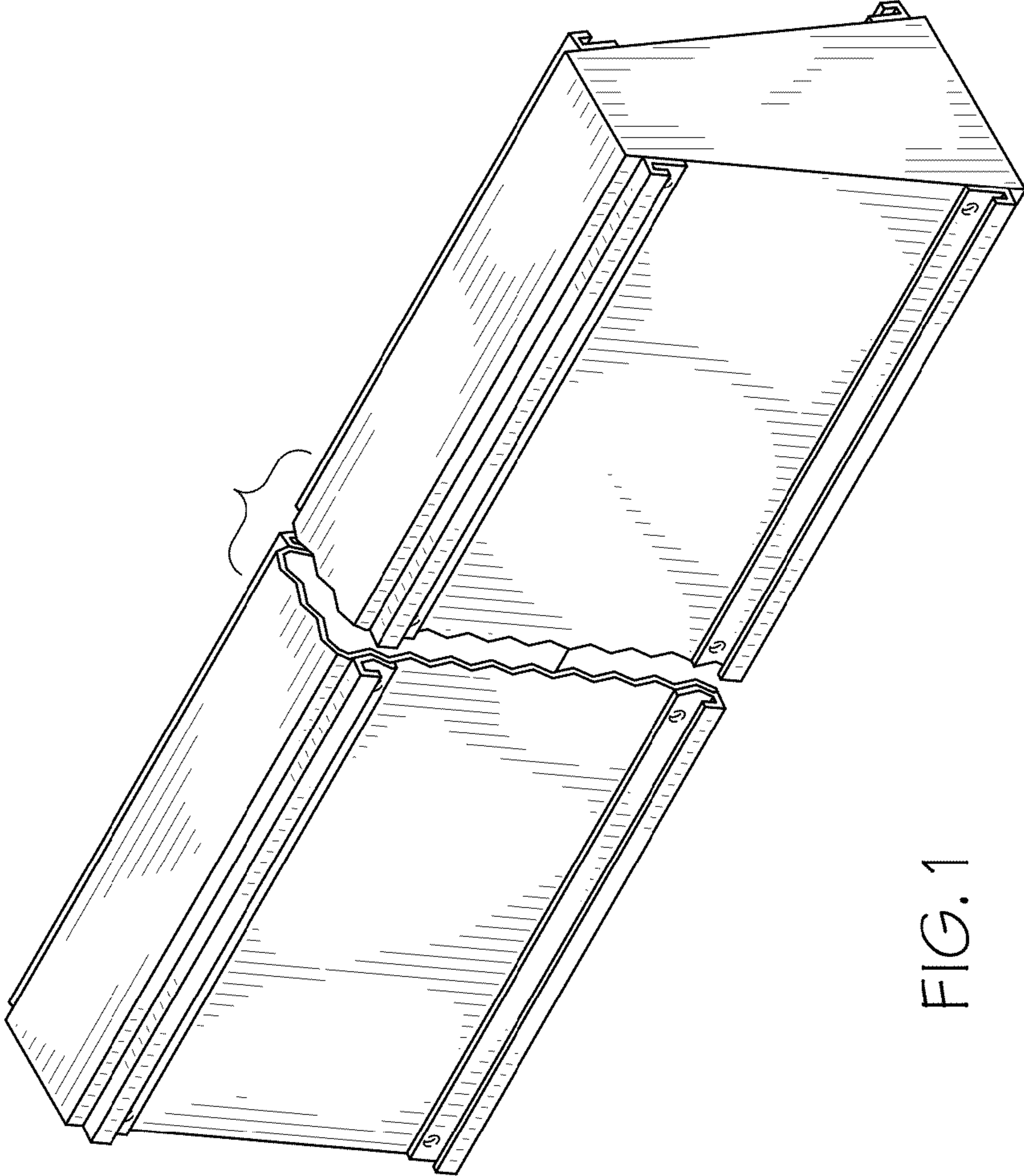


FIG. 1

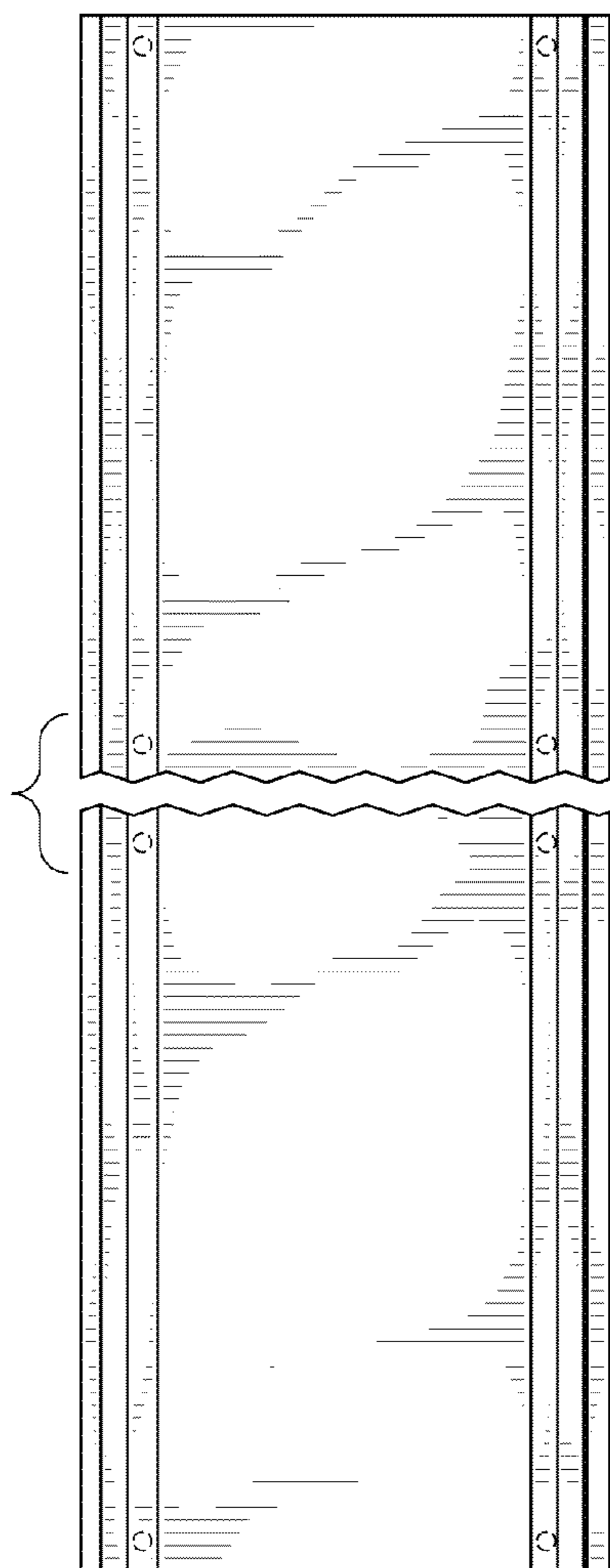


FIG. 2

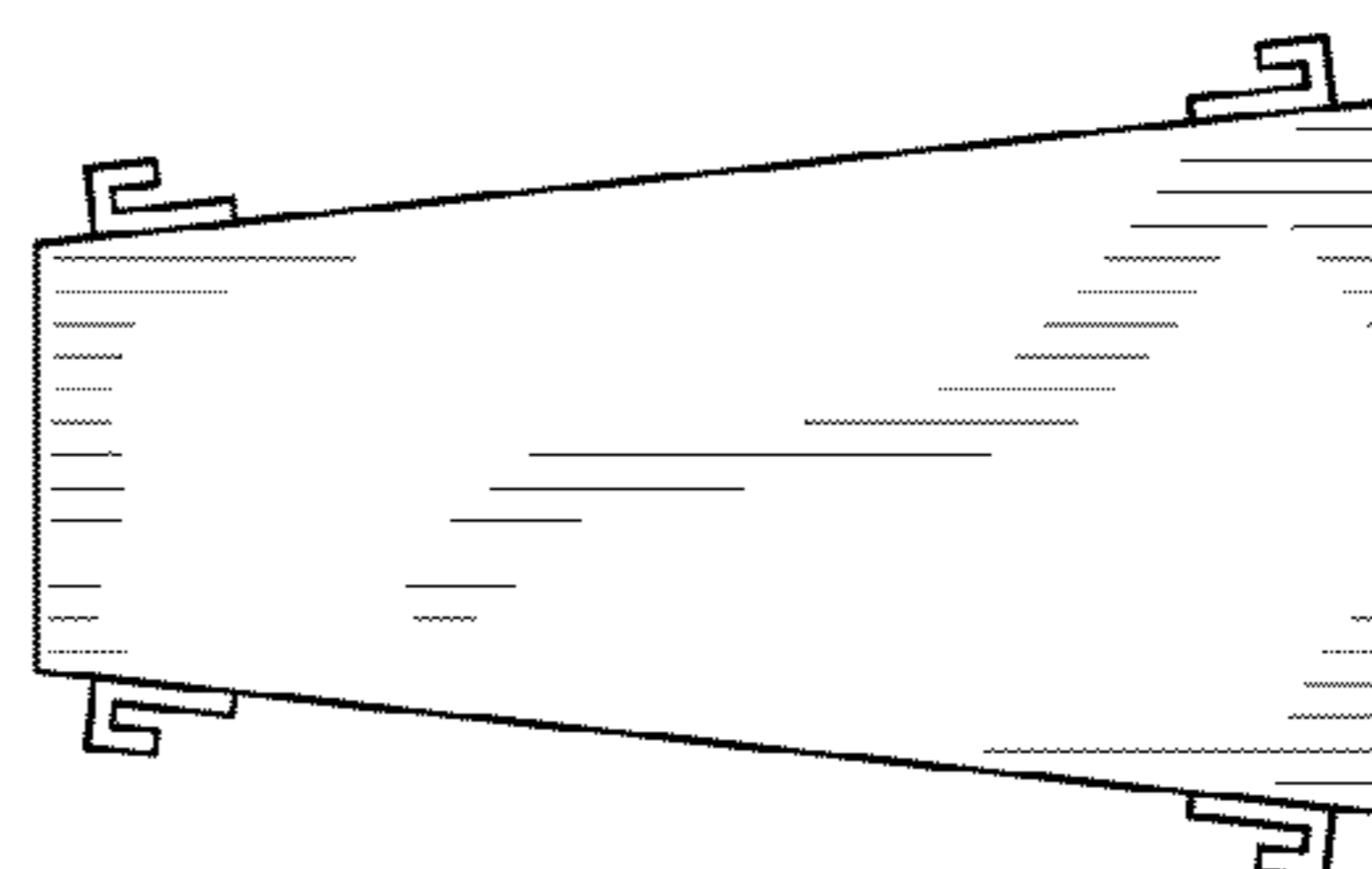


FIG. 3

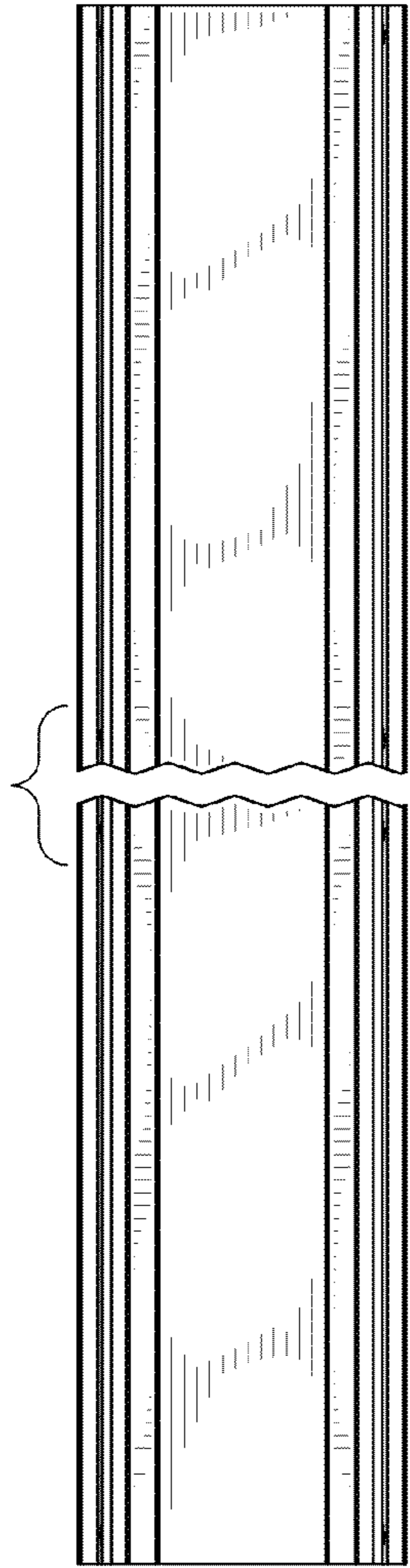


FIG. 4

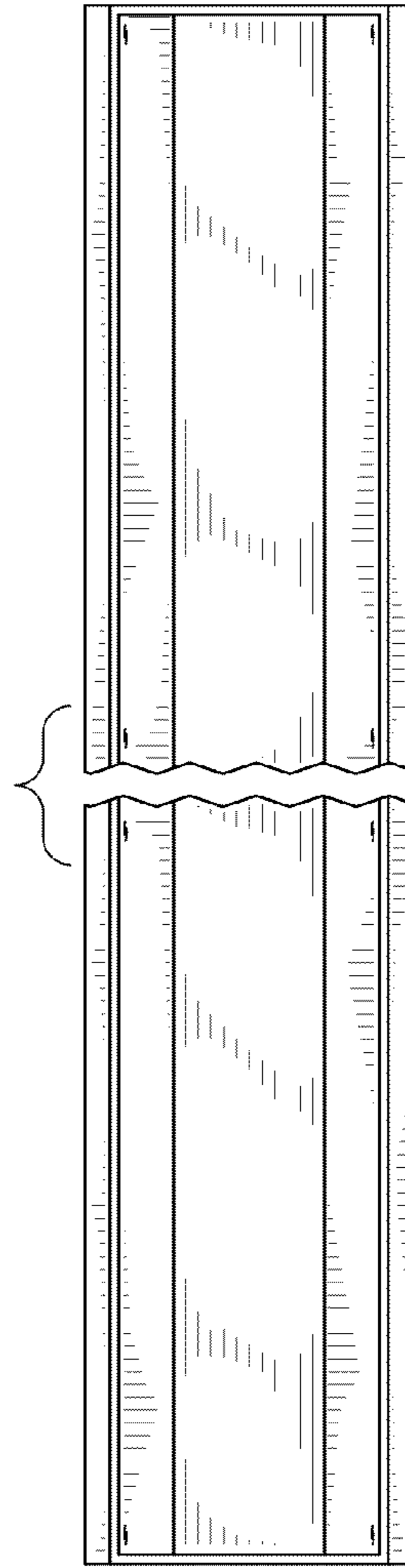


FIG. 5

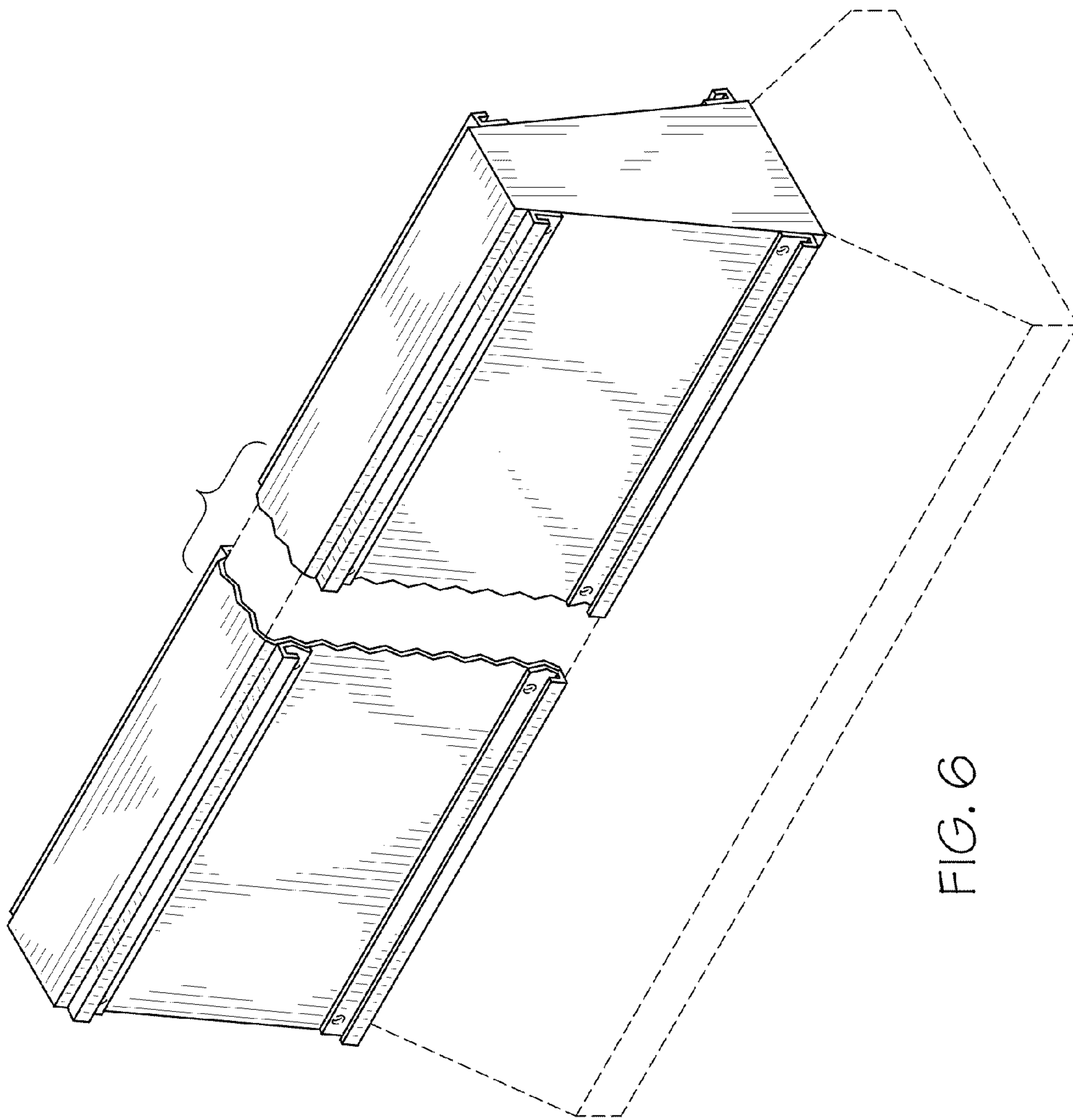


FIG. 6