



US00D756252S

(12) **United States Design Patent**
Ducry

(10) **Patent No.:** **US D756,252 S**
(45) **Date of Patent:** **** May 17, 2016**

(54) **SAMPLE PRESS FOR SPARK OPTICAL
EMISSION SPECTROMETER**

(71) Applicant: **THERMO FISHER SCIENTIFIC
(ECUBLENS) SARL, Ecublens (CH)**

(72) Inventor: **Frederic Ducry, Domdidier (CH)**

(73) Assignee: **Thermo Fisher Scientific (Ecublens)
SARL, Ecublens (CH)**

(**) Term: **14 Years**

(21) Appl. No.: **29/518,551**

(22) Filed: **Feb. 25, 2015**

(30) **Foreign Application Priority Data**

Aug. 28, 2014 (CN) 2014 3 0313372

(51) **LOC (10) Cl.** **10-04**

(52) **U.S. Cl.**
USPC **D10/81; D24/216**

(58) **Field of Classification Search**
USPC D10/81; D24/216, 219, 220, 223, 224,
D24/232–234
CPC G01J 3/00; G01J 3/0202; G01J 3/0205;
G01J 3/0208; G01J 3/021; G01J 3/0213;
G01J 3/0216; G01J 3/0218; G01J 3/0221;
G01J 3/0224; G01J 3/0227; G01J 3/0229;
G01J 3/0232; G01J 3/0235; G01J 3/0237;
G01J 3/024; G01J 3/0243

See application file for complete search history.

(56) **References Cited**

U.S. PATENT DOCUMENTS

D320,851 S * 10/1991 Storzbach D24/220
5,055,408 A * 10/1991 Higo G01N 35/0098
141/130
5,147,611 A * 9/1992 Stout G01N 21/71
422/78
D349,861 S * 8/1994 Kanewske D10/81
D373,830 S * 9/1996 LaBarbera D10/81
7,635,725 B2 * 12/2009 Bellare A61L 27/16
522/150
D715,958 S * 10/2014 Bossart D24/216

* cited by examiner

Primary Examiner — Antoine D Davis

(74) *Attorney, Agent, or Firm* — Gordon Stewart

(57) **CLAIM**

I claim the ornamental design for a sample press for spark optical emission spectrometer, as shown and described.

DESCRIPTION

FIG. 1 is a front view of the sample press for spark optical emission spectrometer.

FIG. 2 is rear view of the sample press for spark optical emission spectrometer.

FIG. 3 is a left side view of the sample press for spark optical emission spectrometer.

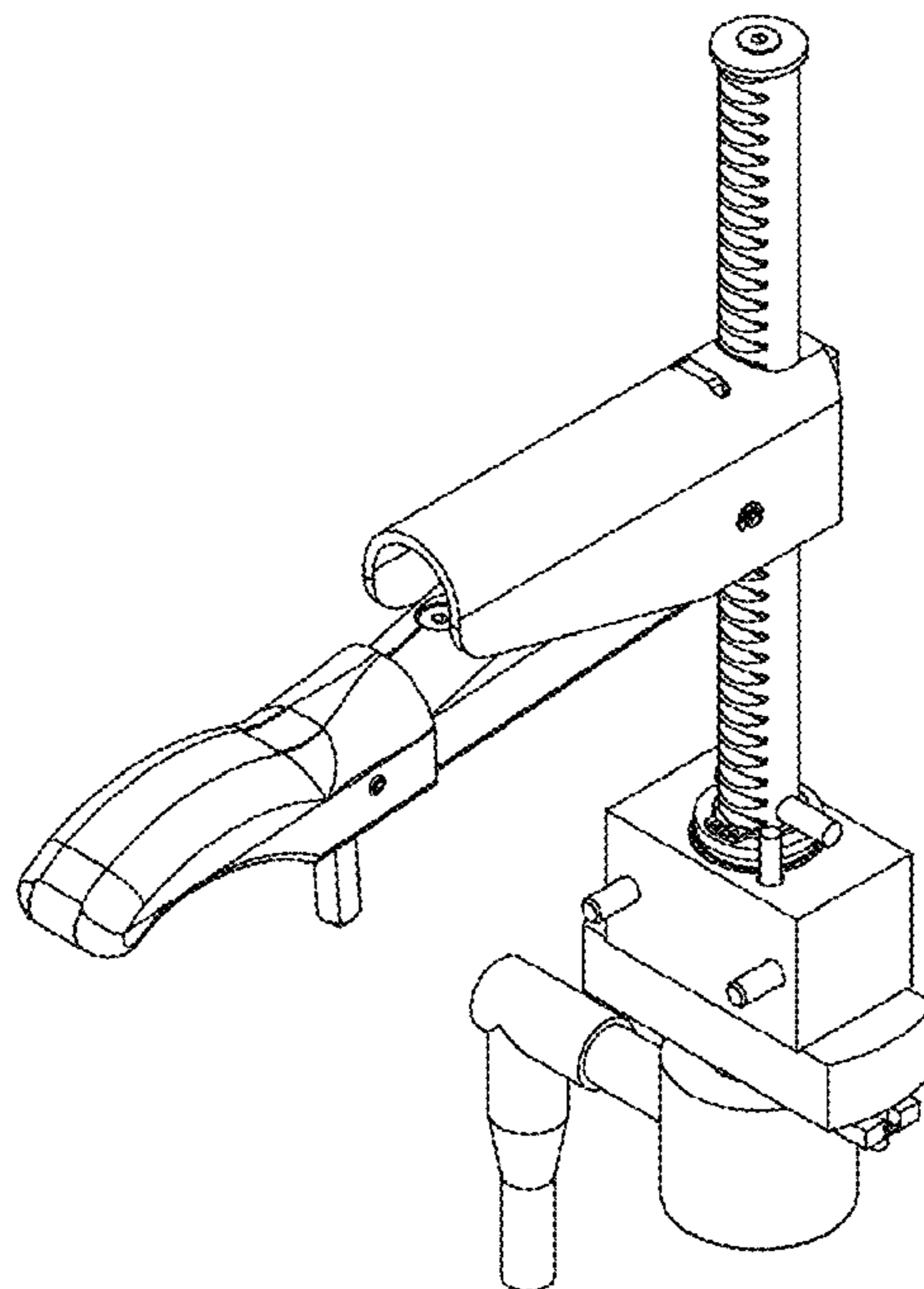
FIG. 4 is a right side view of the sample press for spark optical emission spectrometer.

FIG. 5 is a top view of the sample press for spark optical emission spectrometer.

FIG. 6 is a bottom view of the sample press for spark optical emission spectrometer; and,

FIG. 7 is a perspective view of the sample press for spark optical emission spectrometer.

1 Claim, 6 Drawing Sheets



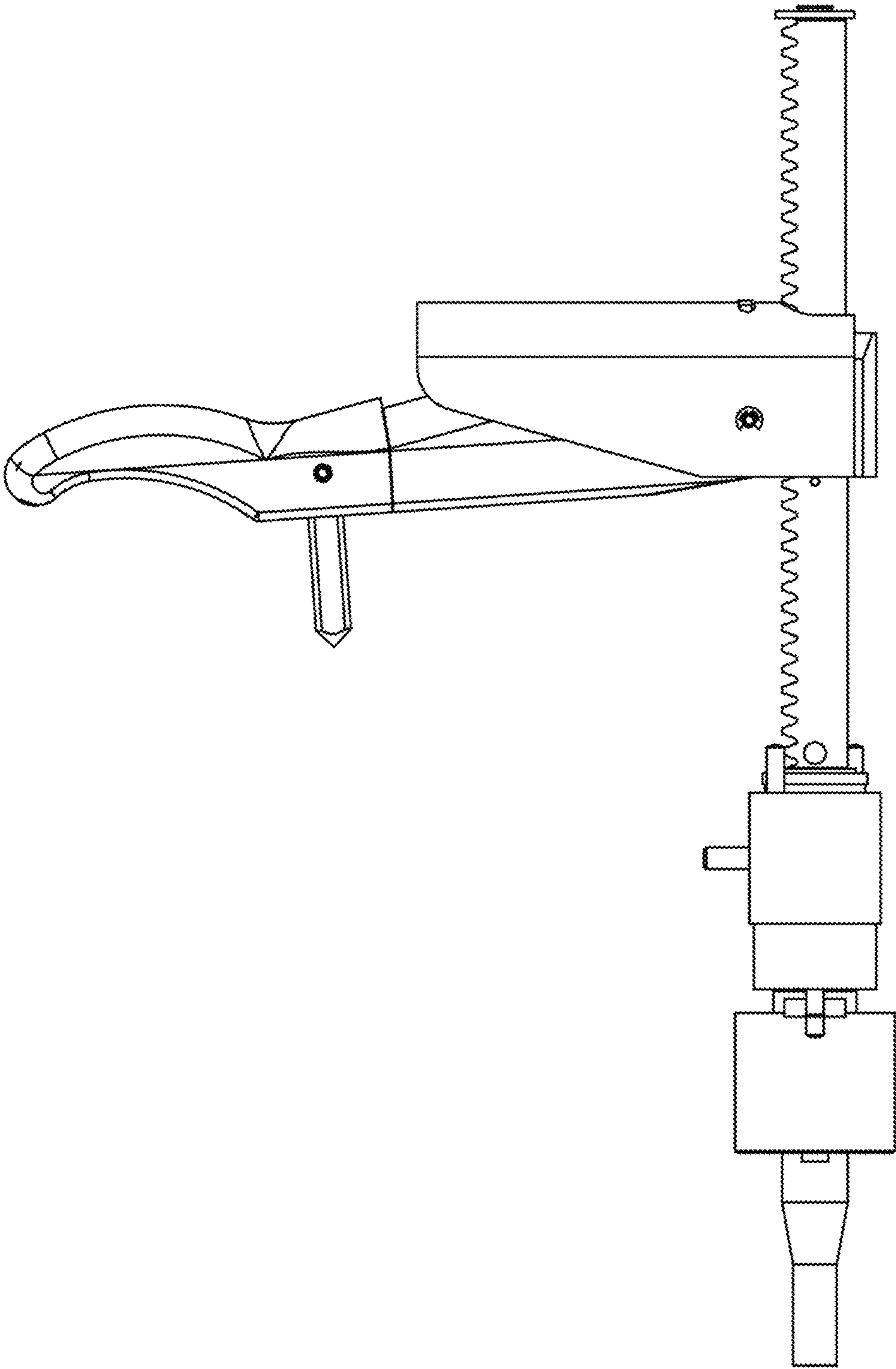


FIG. 1

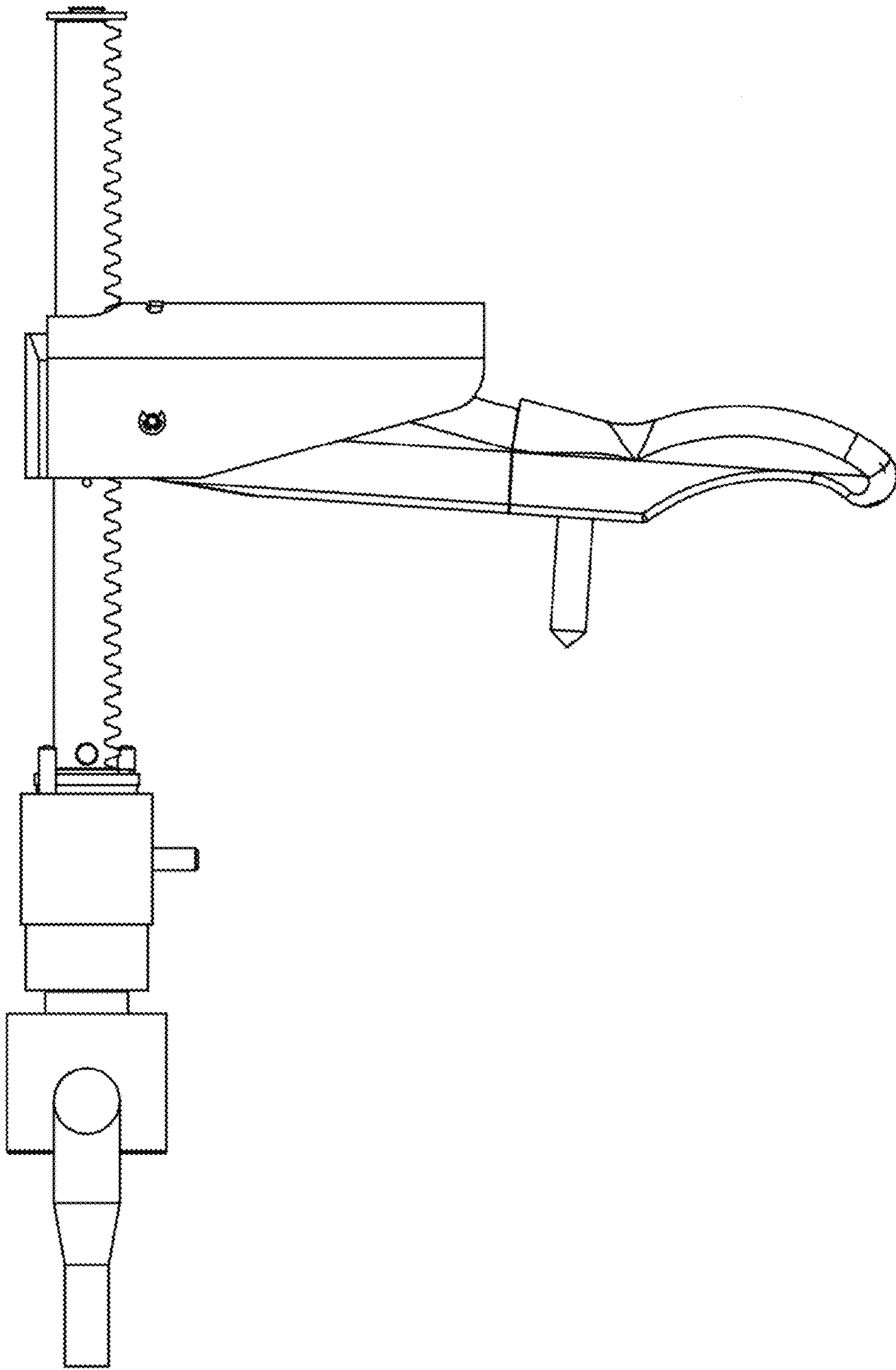


FIG. 2

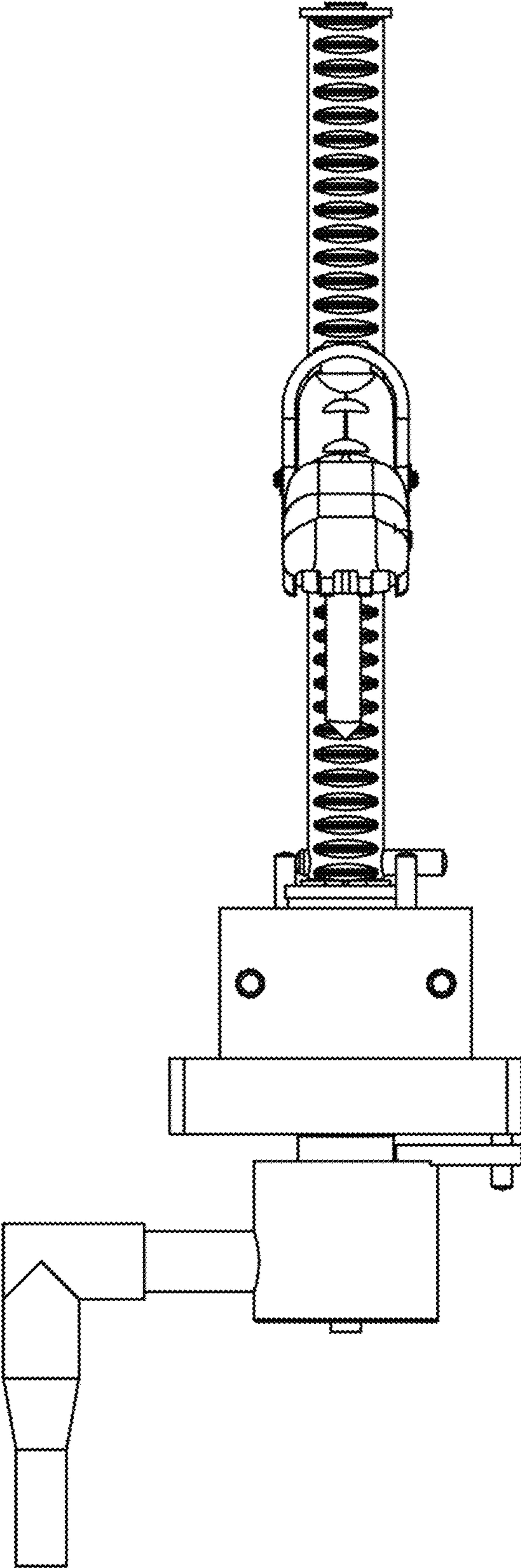


FIG. 3

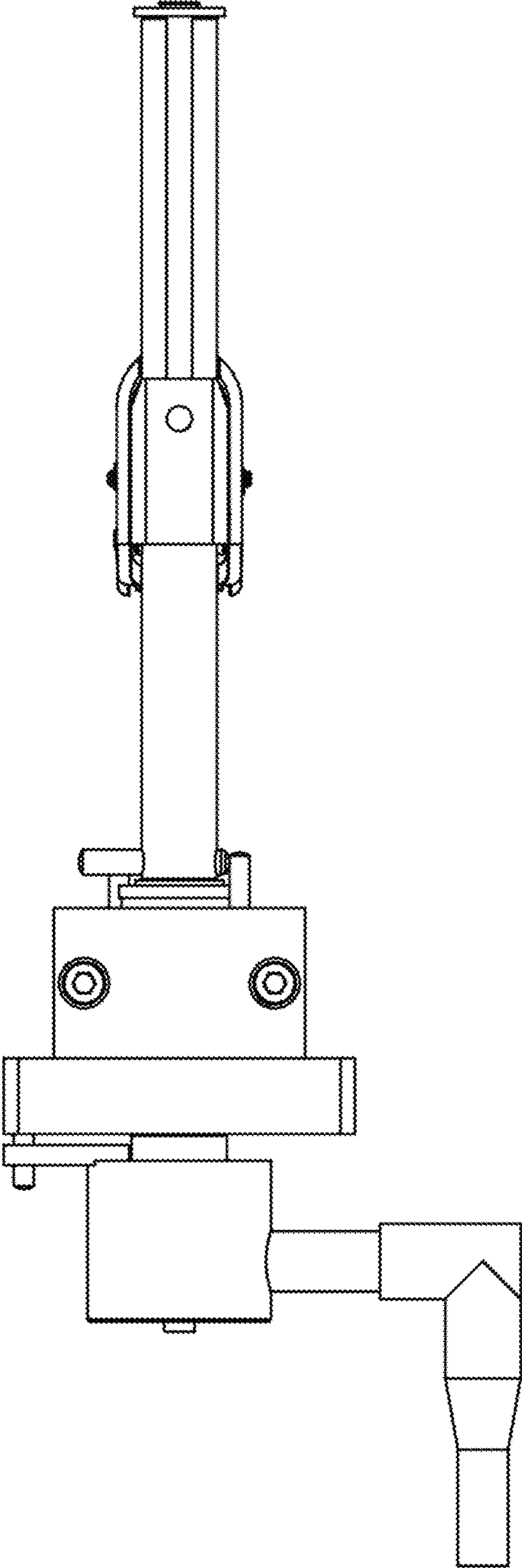


FIG. 4

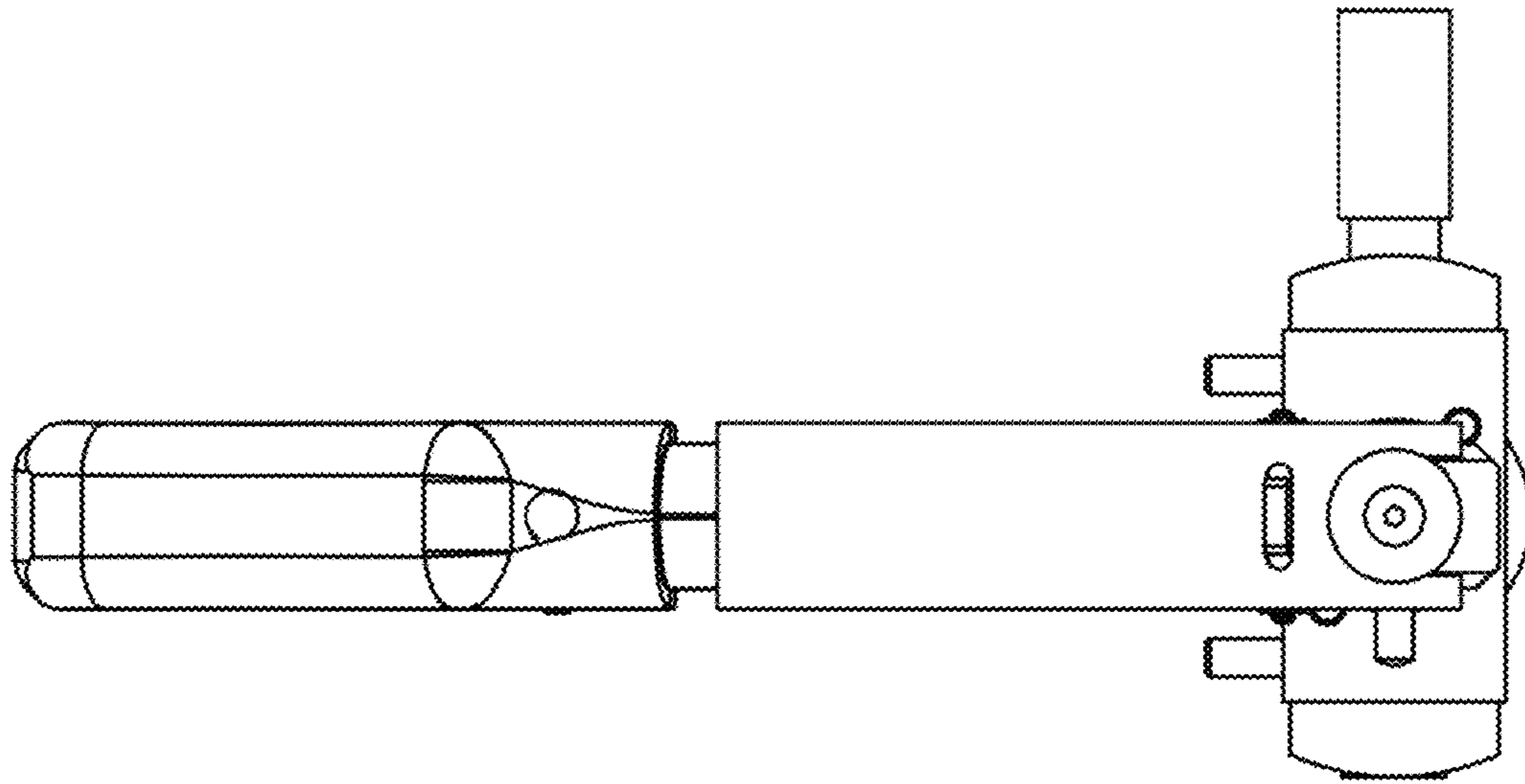


FIG. 5

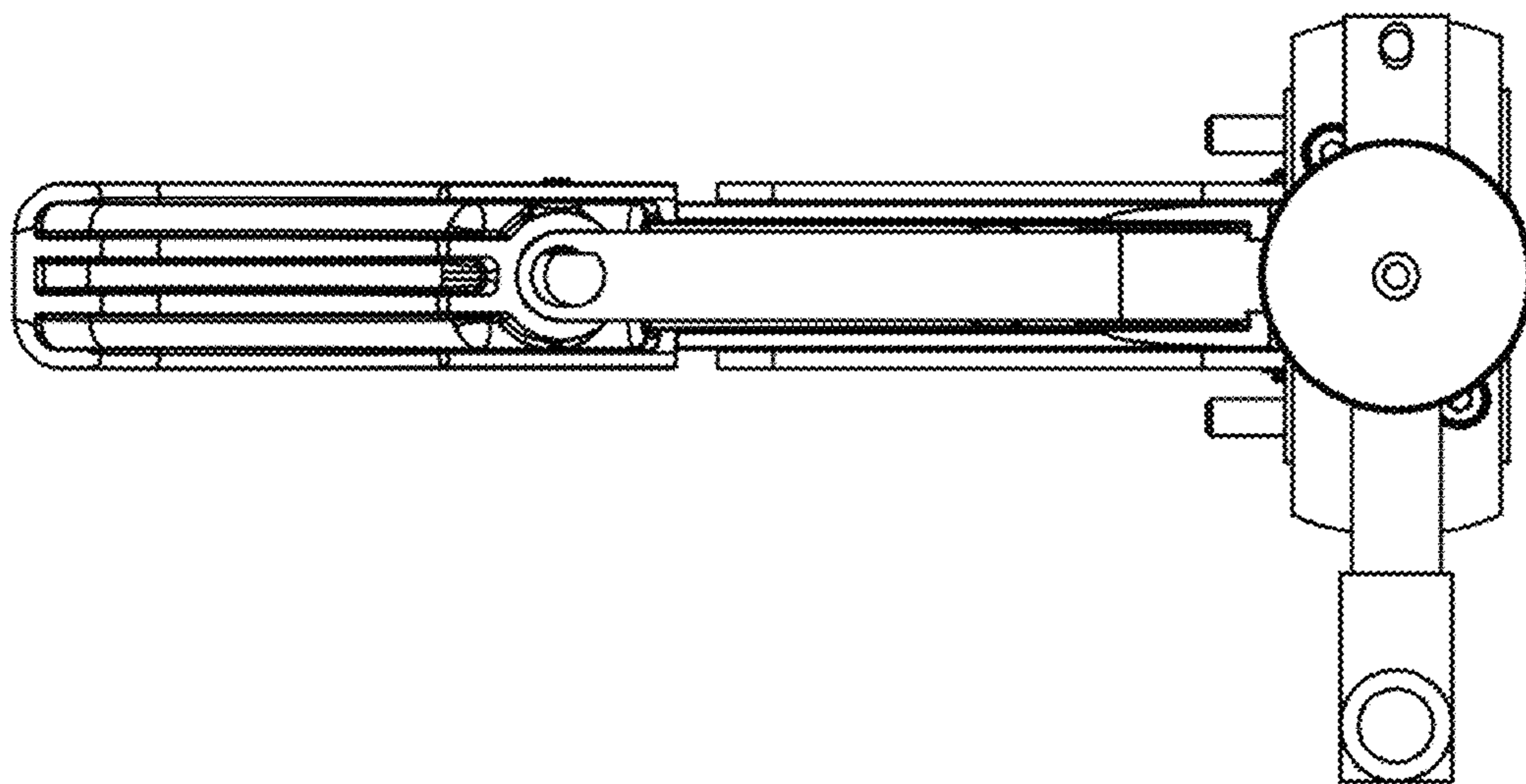


FIG. 6

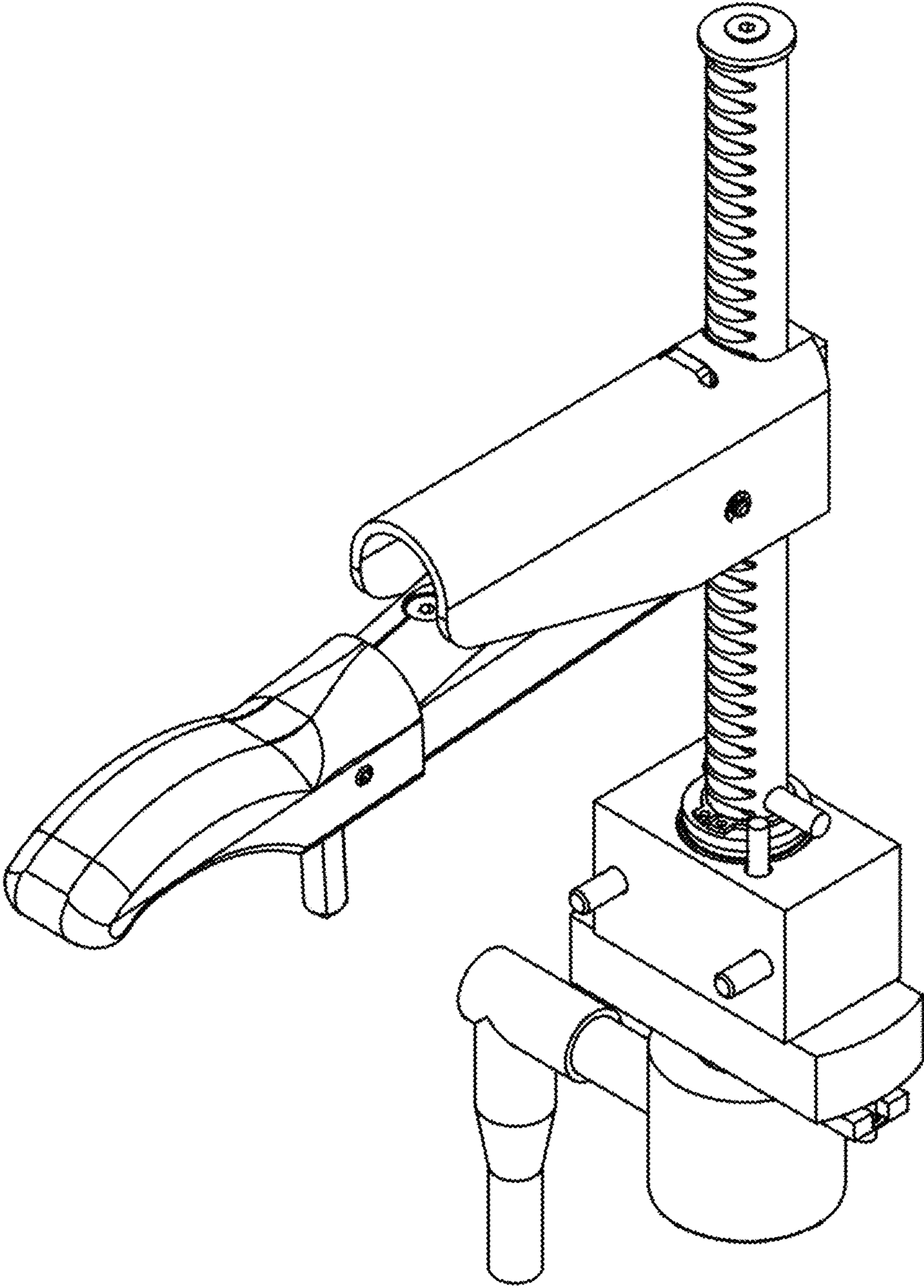


FIG. 7