



US00D756249S

(12) **United States Design Patent**
Xiao

(10) **Patent No.:** **US D756,249 S**

(45) **Date of Patent:** **** May 17, 2016**

(54) **ENVIRONMENTAL MONITOR**

(71) Applicant: **Juntao Xiao**, Beijing (CN)

(72) Inventor: **Juntao Xiao**, Beijing (CN)

(**) Term: **14 Years**

(21) Appl. No.: **29/511,888**

(22) Filed: **Dec. 15, 2014**

(30) **Foreign Application Priority Data**

Jun. 16, 2014 (CN) 2014 3 0188277

(51) **LOC (10) Cl.** **10-04**

(52) **U.S. Cl.**
USPC **D10/52; D10/53; D10/56**

(58) **Field of Classification Search**
USPC D10/52, 53, 55, 56, 60
CPC ... G01S 5/0009; G01S 5/0018; G01S 5/0036;
G01W 1/02; G01W 1/04; G01W 1/06; G01W
1/10; G01W 1/11; G01W 1/12; G01W 1/14;
G01W 1/16; G01W 1/17; G01W 1/18;
G01W 2001/006; G01W 2201/00; G01W
2203/00

See application file for complete search history.

(56) **References Cited**

U.S. PATENT DOCUMENTS

D498,428 S 11/2004 Chan
7,271,887 B2 * 9/2007 Bickel G01W 1/12
356/218
D579,353 S 10/2008 Robinson
D609,588 S * 2/2010 Morton D10/56
D611,846 S 3/2010 Sadler

(Continued)

OTHER PUBLICATIONS

USPTO, Office Action in U.S. Appl. No. 29/511,889 dated Oct. 27, 2015, 5 pages.

Primary Examiner — Antoine D Davis

(57) **CLAIM**

I claim the ornamental design for an environmental monitor, as shown and described.

DESCRIPTION

The patent or application file contains at least one drawing executed in color. Copies of this patent or patent application publication with color drawing(s) will be provided by the Office upon request of the necessary fee.

FIG. 1 is a three-dimensional view of an environmental monitor showing my new design;

FIG. 2 is a three-dimensional view of a part of the environmental monitor shown in FIG. 1;

FIG. 3 is a bottom view of the part of the environmental monitor shown in FIG. 2;

FIG. 4 is a left view of the part of the environmental monitor shown in FIG. 2;

FIG. 5 is a front view of the part of the environmental monitor shown in FIG. 2;

FIG. 6 is a right view of the part of the environmental monitor shown in FIG. 2;

FIG. 7 is a top view of the part of the environmental monitor shown in FIG. 2;

FIG. 8 is a rear view of the part of the environmental monitor shown in FIG. 2;

FIG. 9 is a three-dimensional view of a part of the environmental monitor shown in FIG. 1;

FIG. 10 is a bottom view of the part of the environmental monitor shown in FIG. 9;

FIG. 11 is a front view of the part of the environmental monitor shown in FIG. 9;

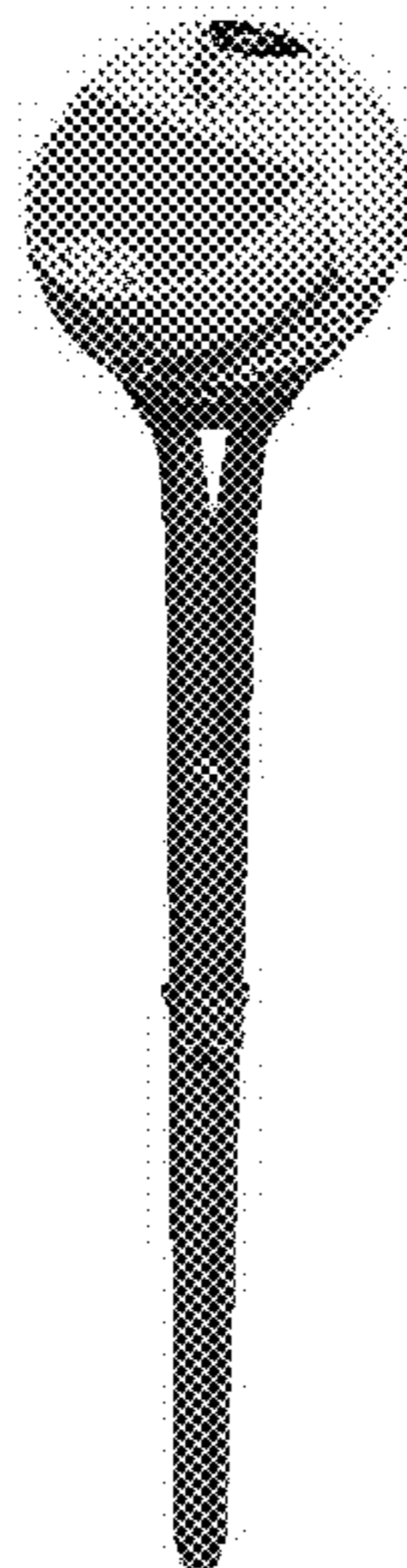
FIG. 12 is a top view of the part of the environmental monitor shown in FIG. 9;

FIG. 13 is another three-dimensional view of an environmental monitor showing my new design;

FIG. 14 is a further three-dimensional view of an environmental monitor showing my new design; and,

FIG. 15 is a further three-dimensional view of an environmental monitor showing my new design.

1 Claim, 6 Drawing Sheets
(5 of 6 Drawing Sheet(s) Filed in Color)



US D756,249 S

Page 2

(56)

References Cited

U.S. PATENT DOCUMENTS

D632,596 S * 2/2011 Marsden D10/56
D632,597 S * 2/2011 Marsden D10/56
D688,573 S * 8/2013 Behrmann D10/56

D692,325 S * 10/2013 Meyer D10/40
D713,752 S * 9/2014 Holbein D10/53
D725,507 S * 3/2015 Marquez D10/56
D734,184 S * 7/2015 Ulmer D10/60
D734,185 S * 7/2015 Ulmer D10/60

* cited by examiner

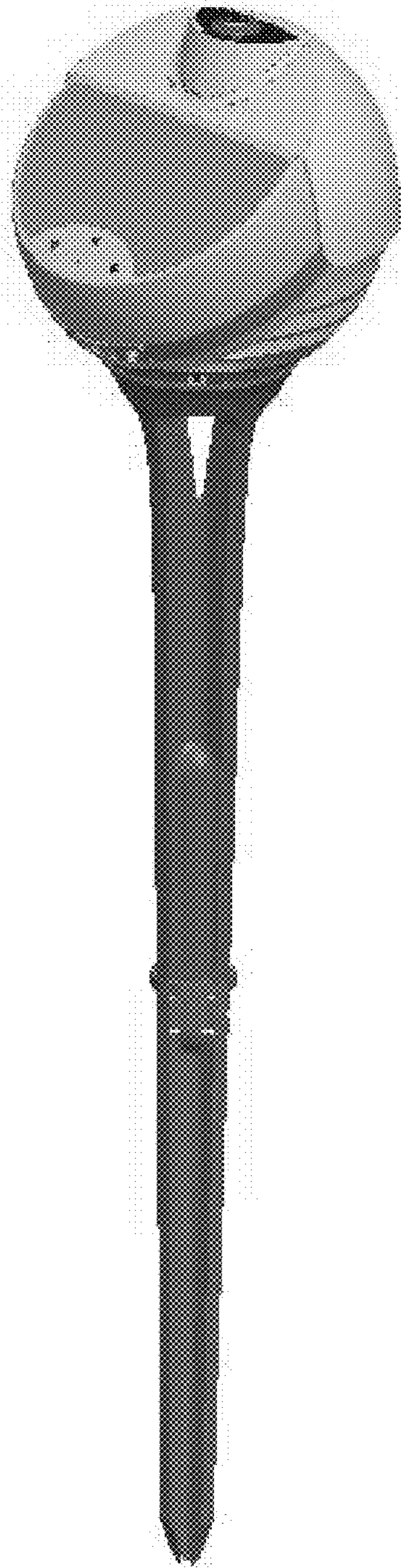


FIG. 1

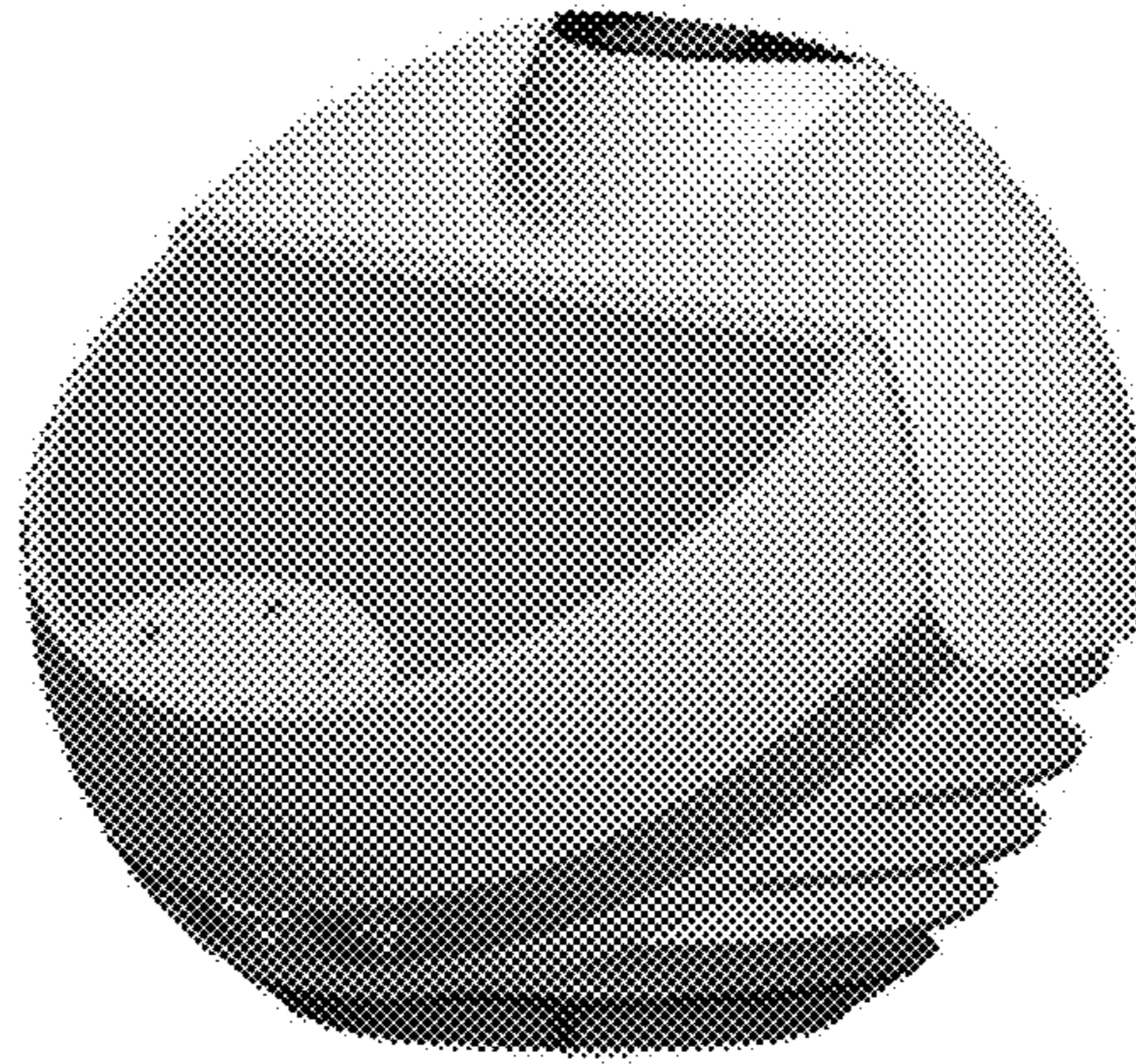


FIG. 2

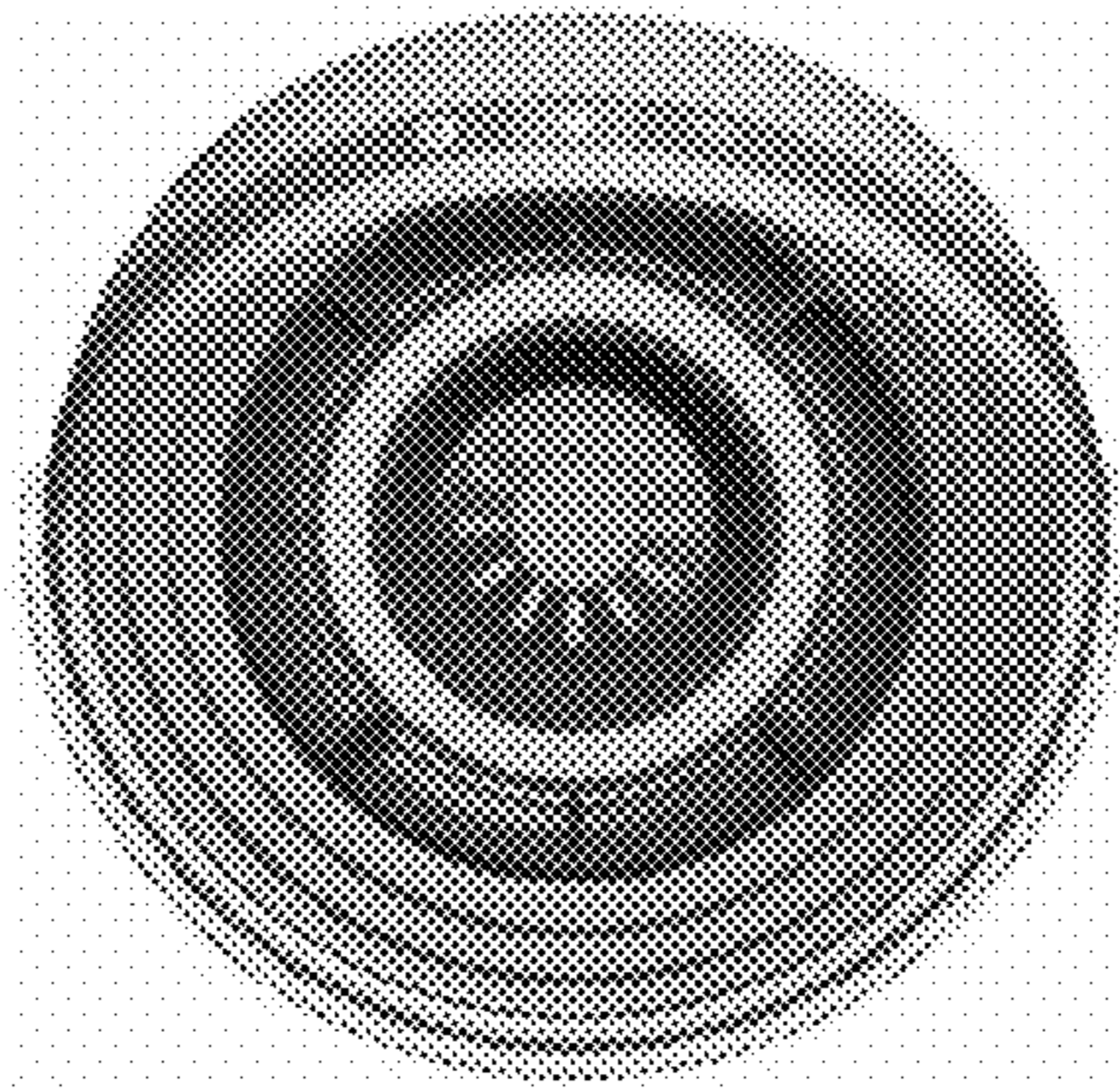


FIG. 3

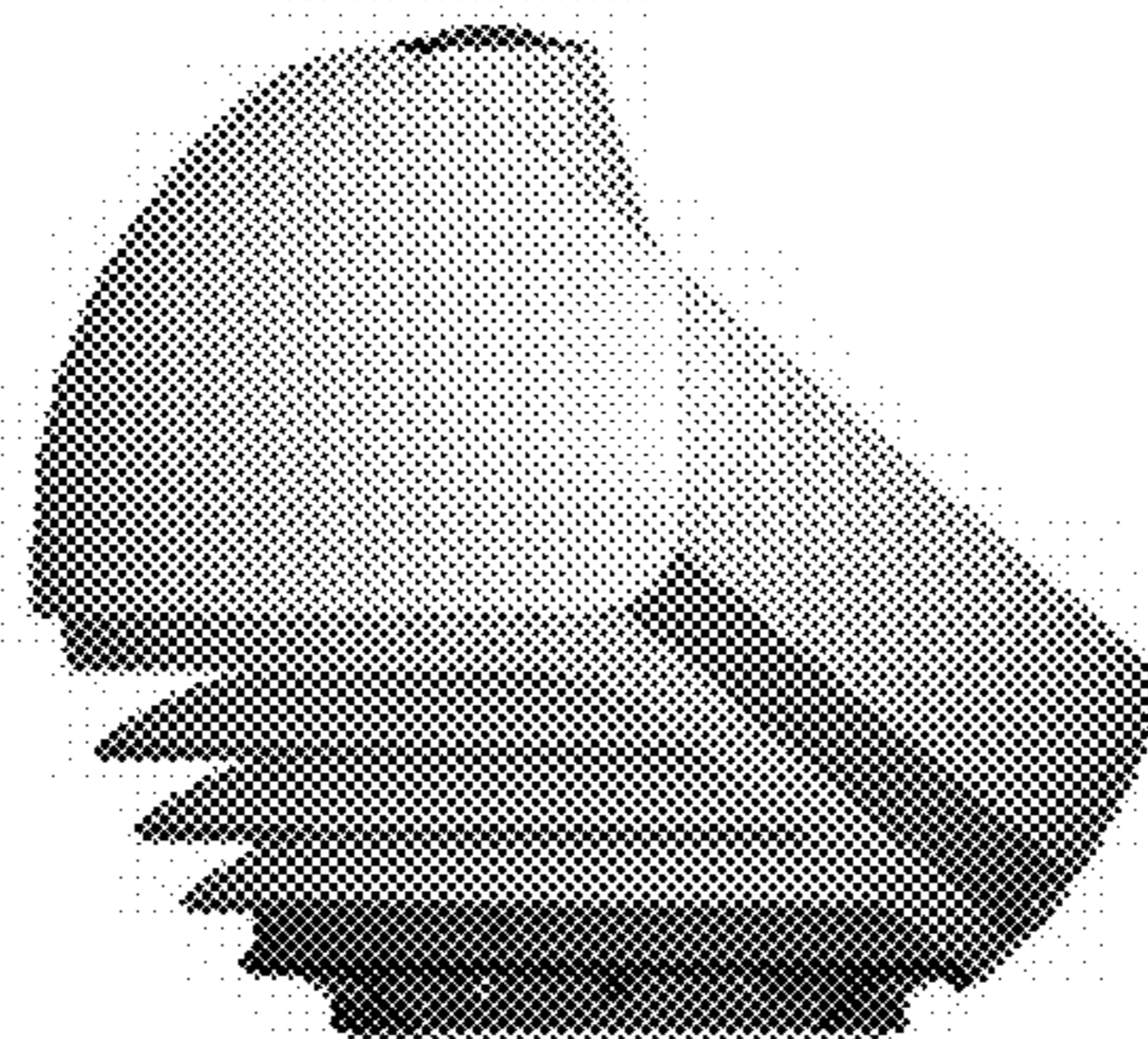


FIG. 4

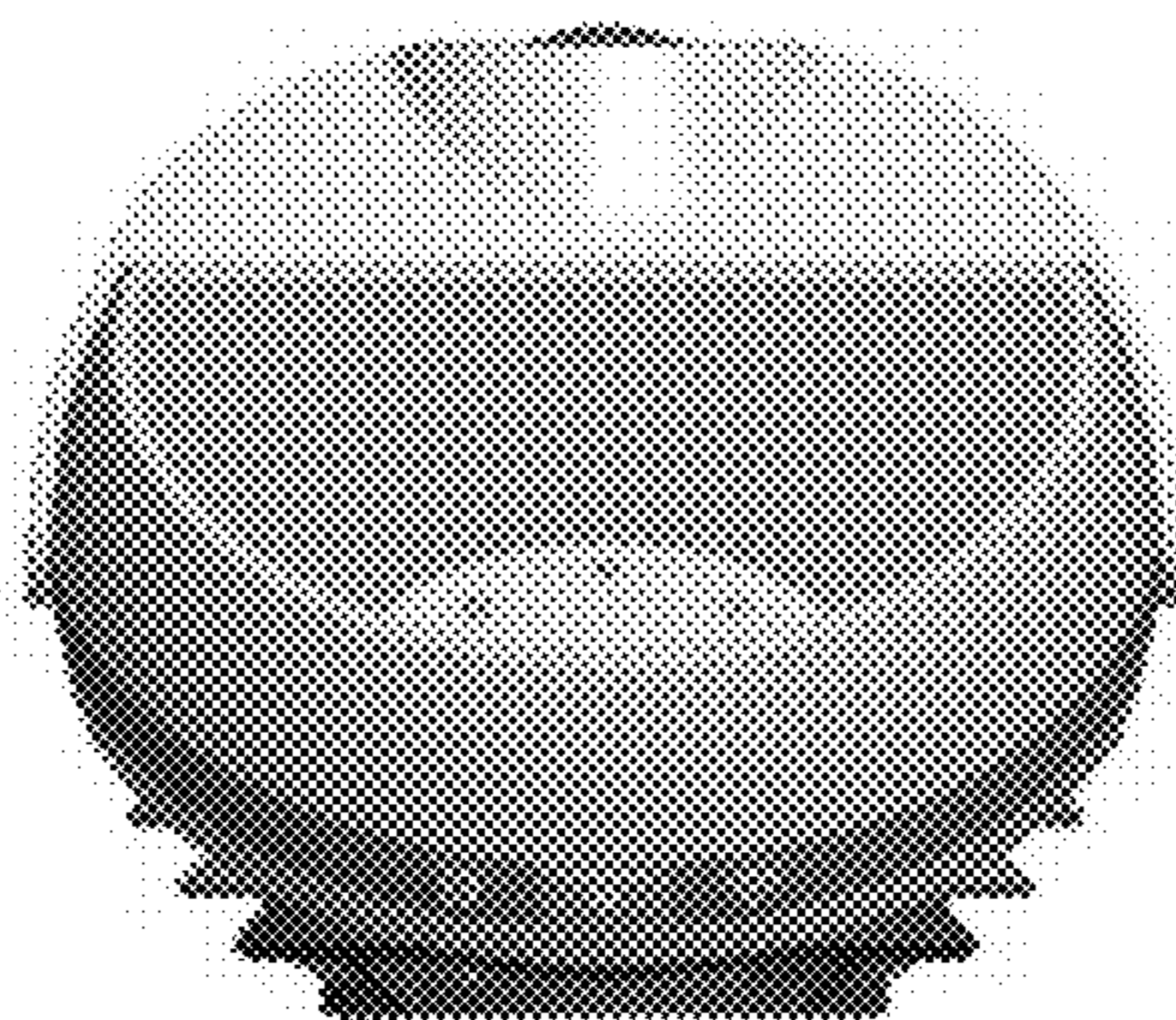


FIG. 5

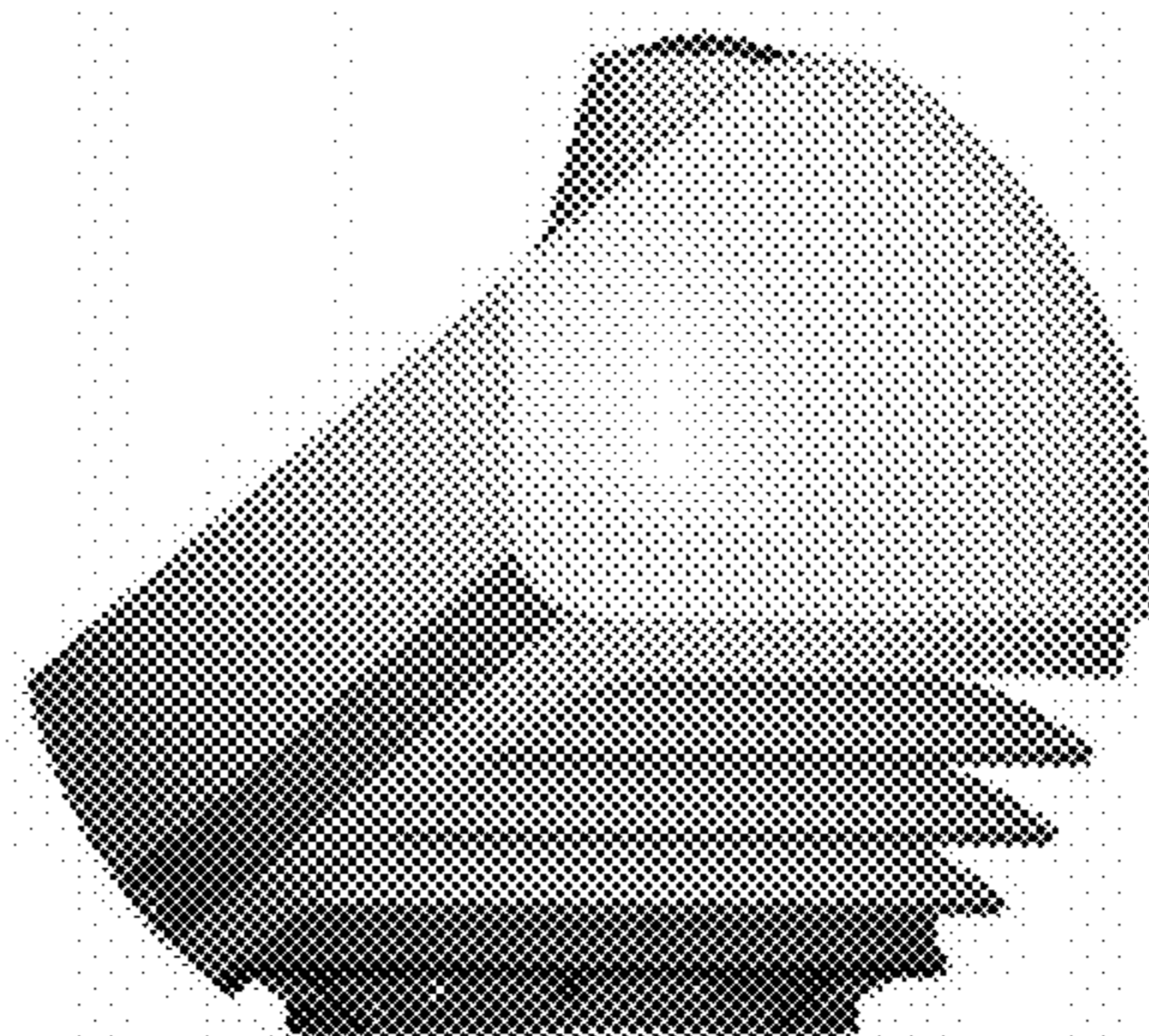


FIG. 6

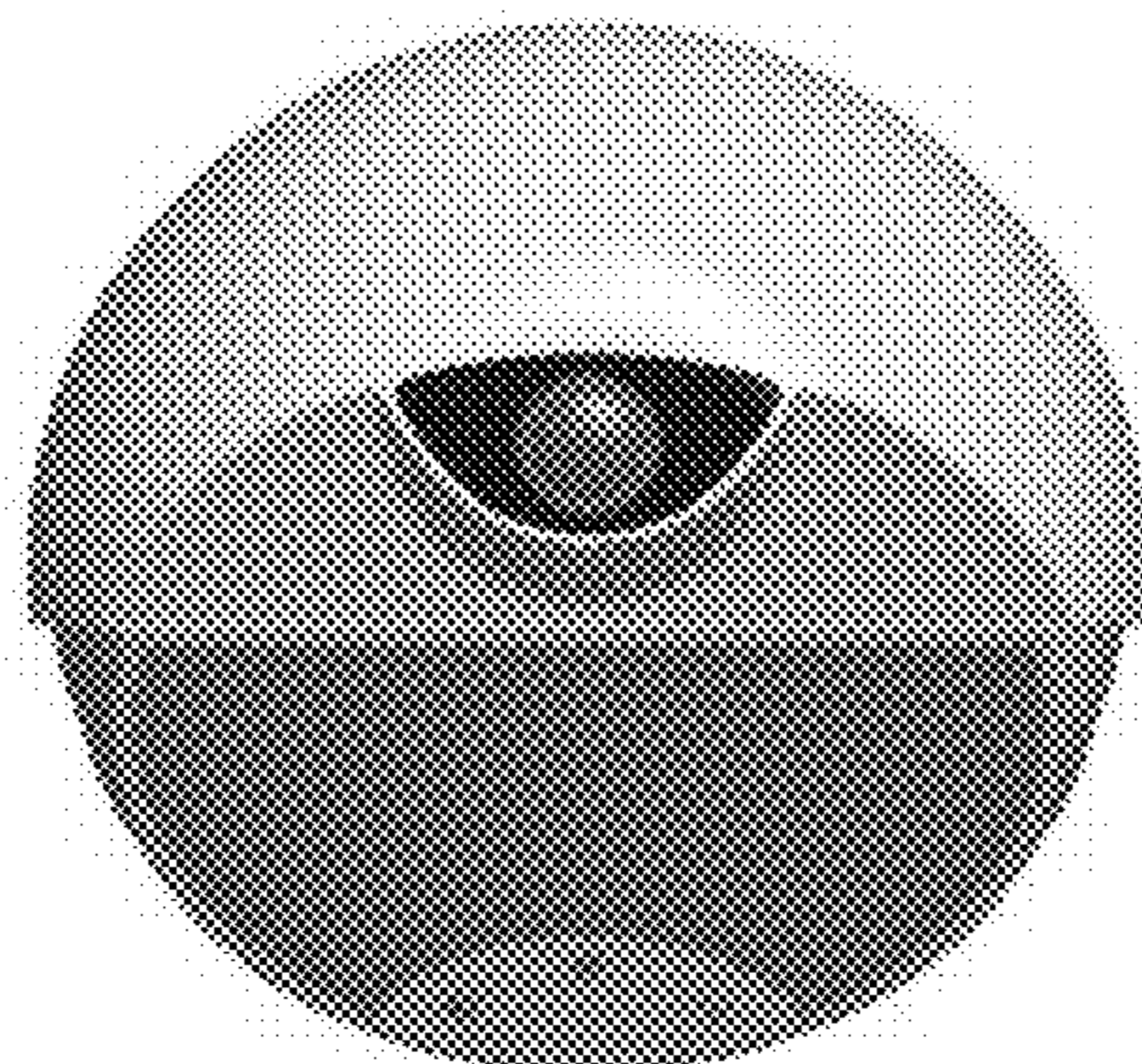


FIG. 7

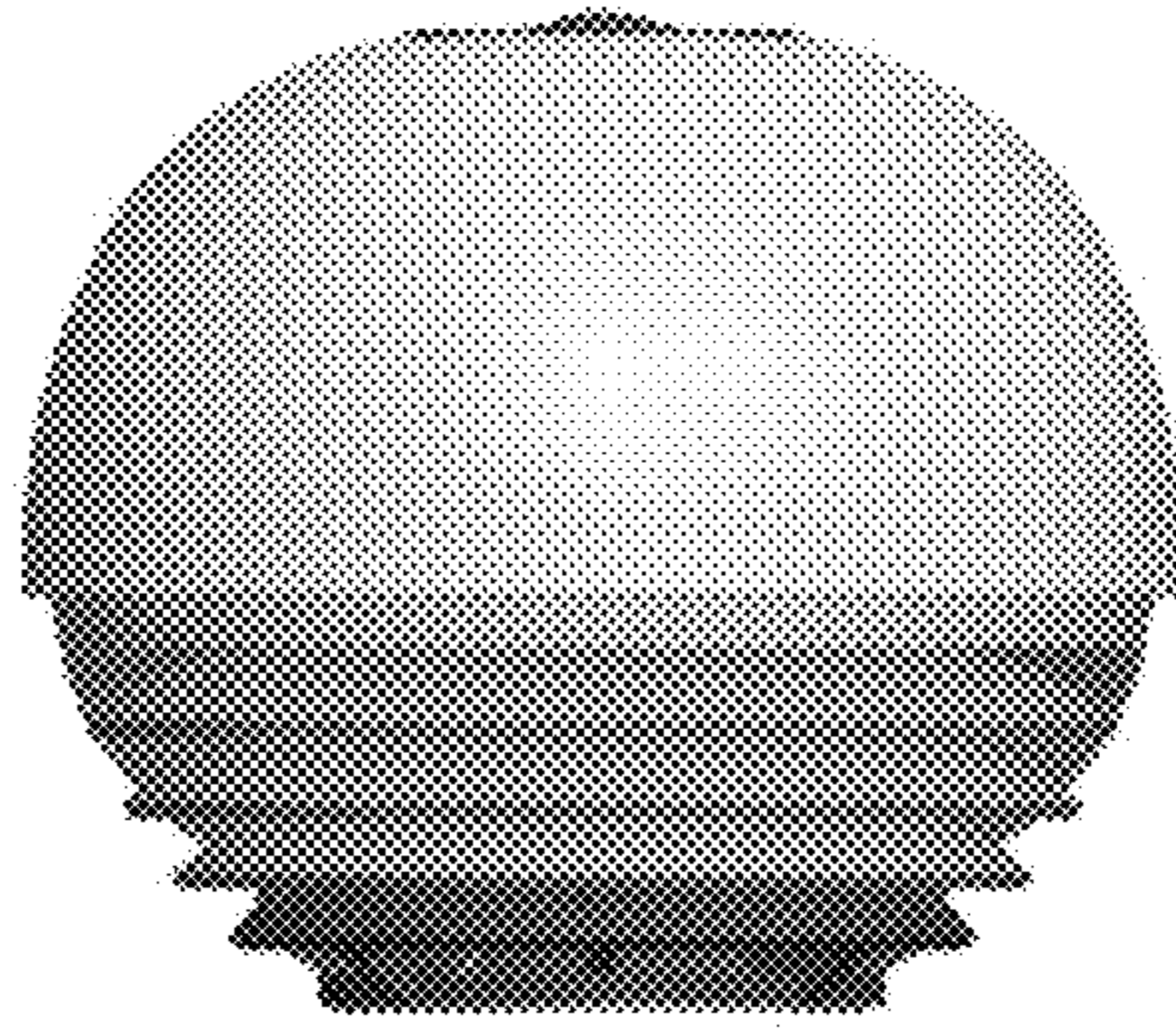


FIG. 8

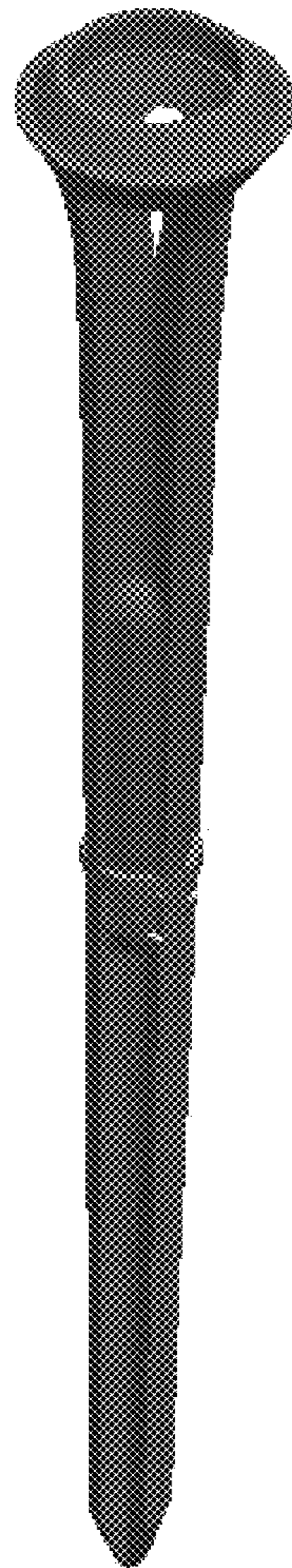


FIG. 9

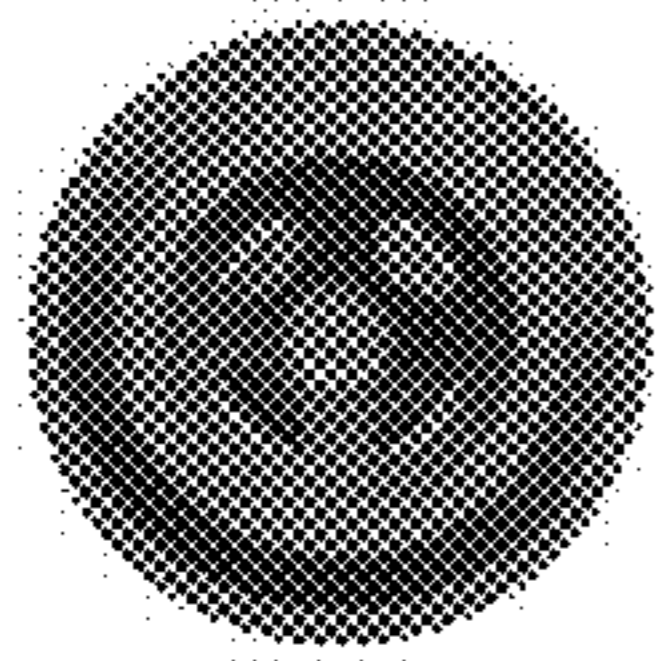


FIG. 10

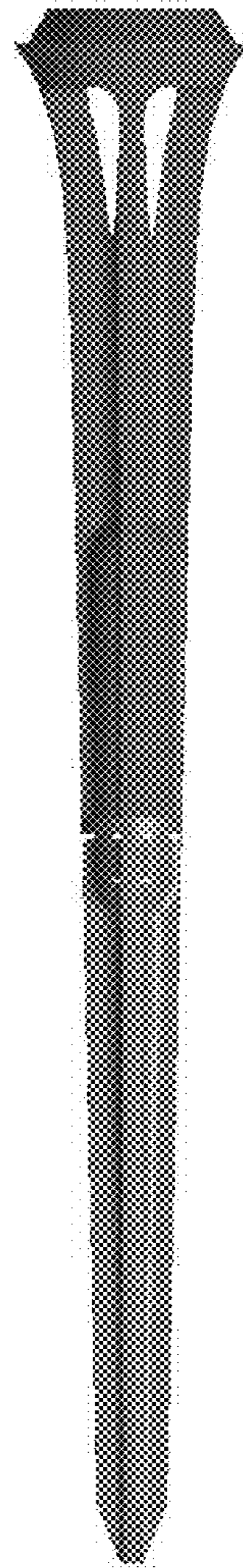


FIG. 11

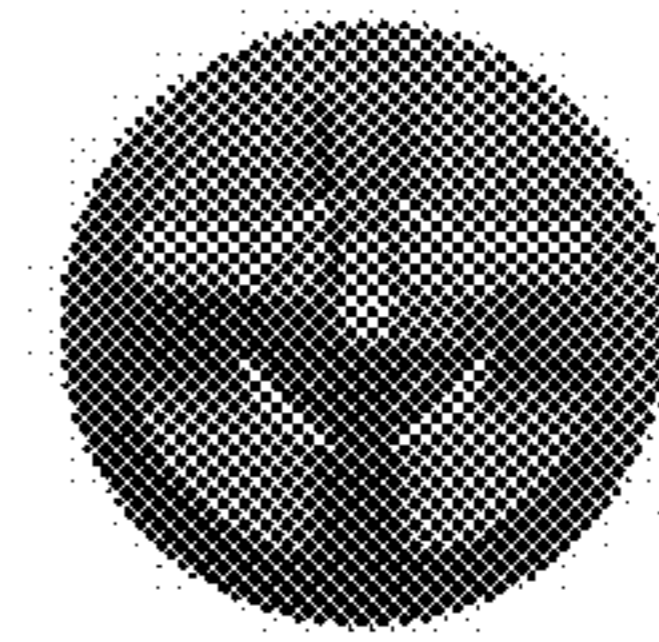


FIG. 12

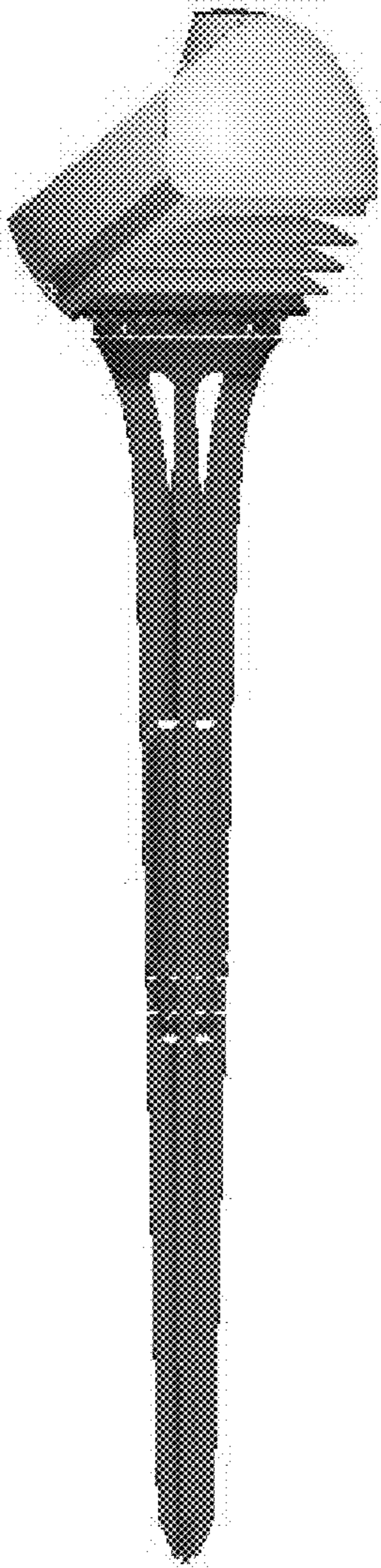


FIG. 13

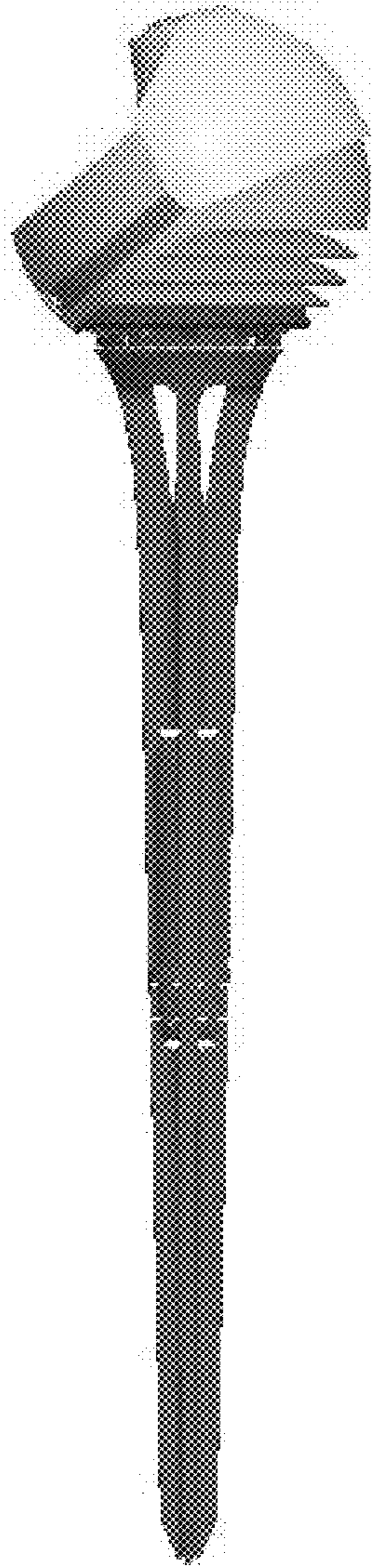


FIG. 14

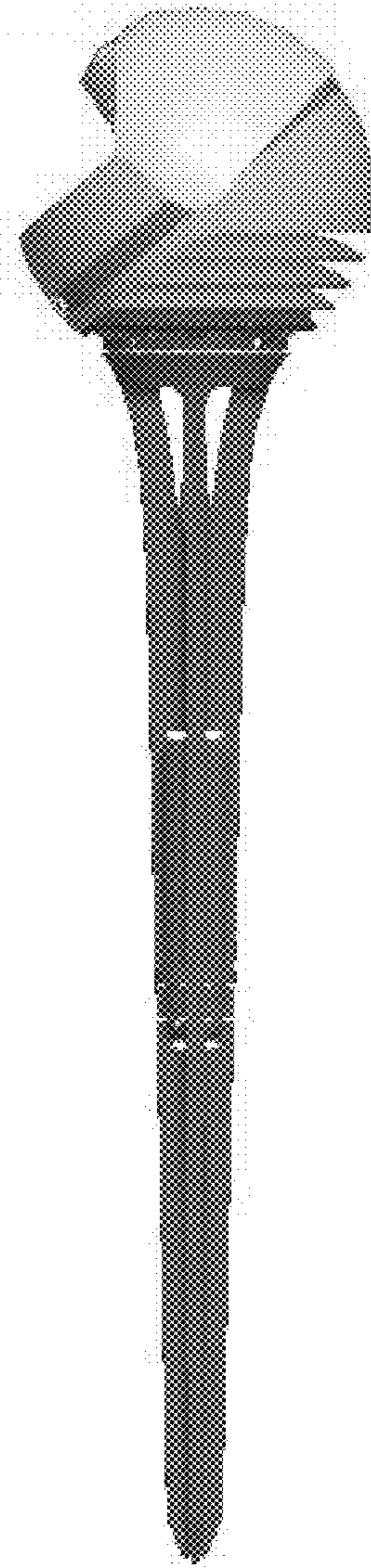


FIG. 15