



US00D756248S

(12) **United States Design Patent**
Rosenberg et al.

(10) **Patent No.:** **US D756,248 S**

(45) **Date of Patent:** **** May 17, 2016**

(54) **PERSONAL AIR QUALITY SENSING DEVICE**

(56)

References Cited

(71) Applicant: **Empire Technology Development LLC**,
Wilmington, DE (US)

U.S. PATENT DOCUMENTS

(72) Inventors: **David Rosenberg**, San Francisco, CA
(US); **Yoshikazu Hoshino**, San
Francisco, CA (US); **Gadi Amit**, San
Mateo, CA (US); **Matt Pugmire**, San
Francisco, CA (US); **Joana Monteiro**,
San Francisco, CA (US); **Scott**
Thibeault, Redwood City, CA (US)

D302,529	S	*	8/1989	Grady	D10/81
D307,559	S	*	5/1990	Parker et al.	D10/81
5,302,191	A	*	4/1994	Koutrakis et al.	95/285
D467,191	S	*	12/2002	Hill et al.	D10/81
D472,175	S	*	3/2003	Welsh	D10/106.5
6,837,987	B1	*	1/2005	King	205/783
D627,670	S	*	11/2010	Gonzales	D10/81
D627,671	S	*	11/2010	Gonzales	D10/81
8,271,489	B2	*	9/2012	Lin et al.	707/736
D693,254	S	*	11/2013	Liu et al.	D10/81

(73) Assignee: **EMPIRE TECHNOLOGY**
DEVELOPMENT LLC, Wilmington,
DE (US)

* cited by examiner

(**) Term: **14 Years**

Primary Examiner — Antoine D Davis

(21) Appl. No.: **29/501,390**

(74) *Attorney, Agent, or Firm* — Dorsey & Whitney LLP

(22) Filed: **Sep. 3, 2014**

(57) **CLAIM**

The ornamental design for a personal air quality sensing device, as shown and described.

(51) **LOC (10) Cl.** **10-04**

DESCRIPTION

(52) **U.S. Cl.**
USPC **D10/52; D10/81**

FIG. 1 is a front perspective view of a personal air quality sensing device;

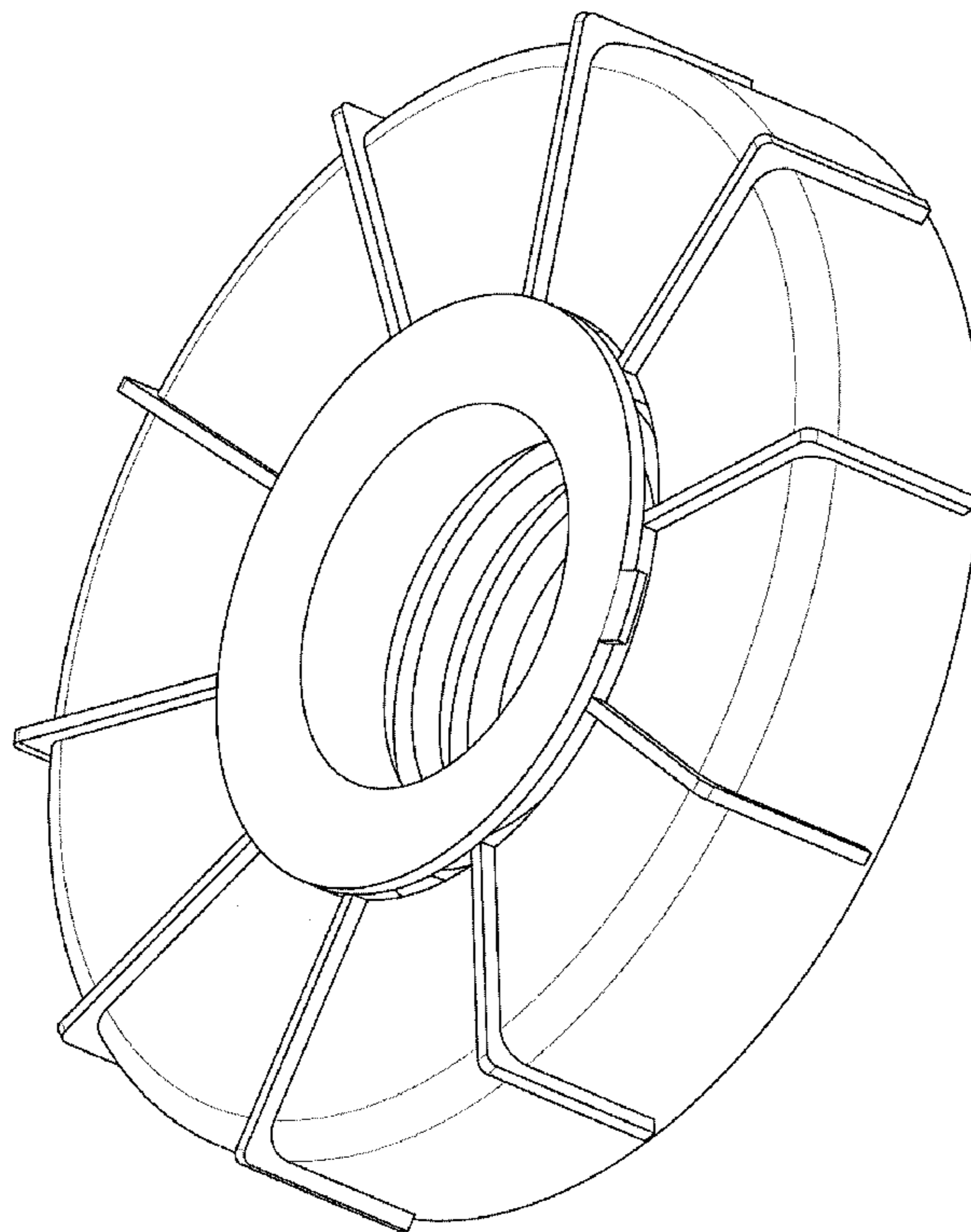
FIG. 2 is a front plan view of the personal air quality sensing device shown in FIG. 1;

FIG. 3 is a back plan view of the personal air quality sensing device shown in FIG. 1; and,

FIG. 4 is a side view of the personal air quality sensing device shown in FIG. 1.

(58) **Field of Classification Search**
USPC D10/52, 78, 81
CPC G01N 1/22-1/2294; G01N
2001/2217-2001/2297; G01N 25/56; G01N
27/122; G01N 33/004-33/0075; H04B 17/23
See application file for complete search history.

1 Claim, 4 Drawing Sheets



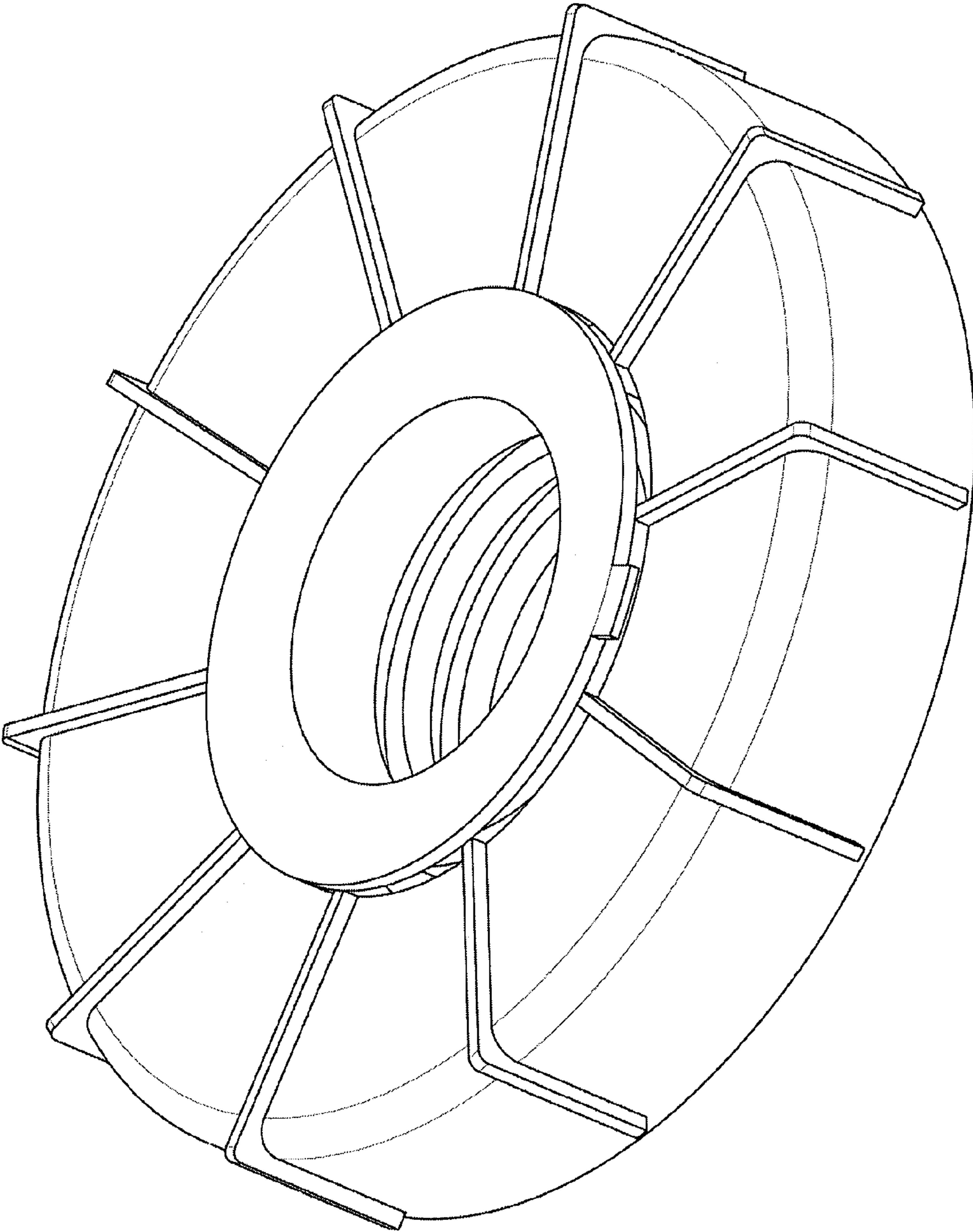


Fig. 1

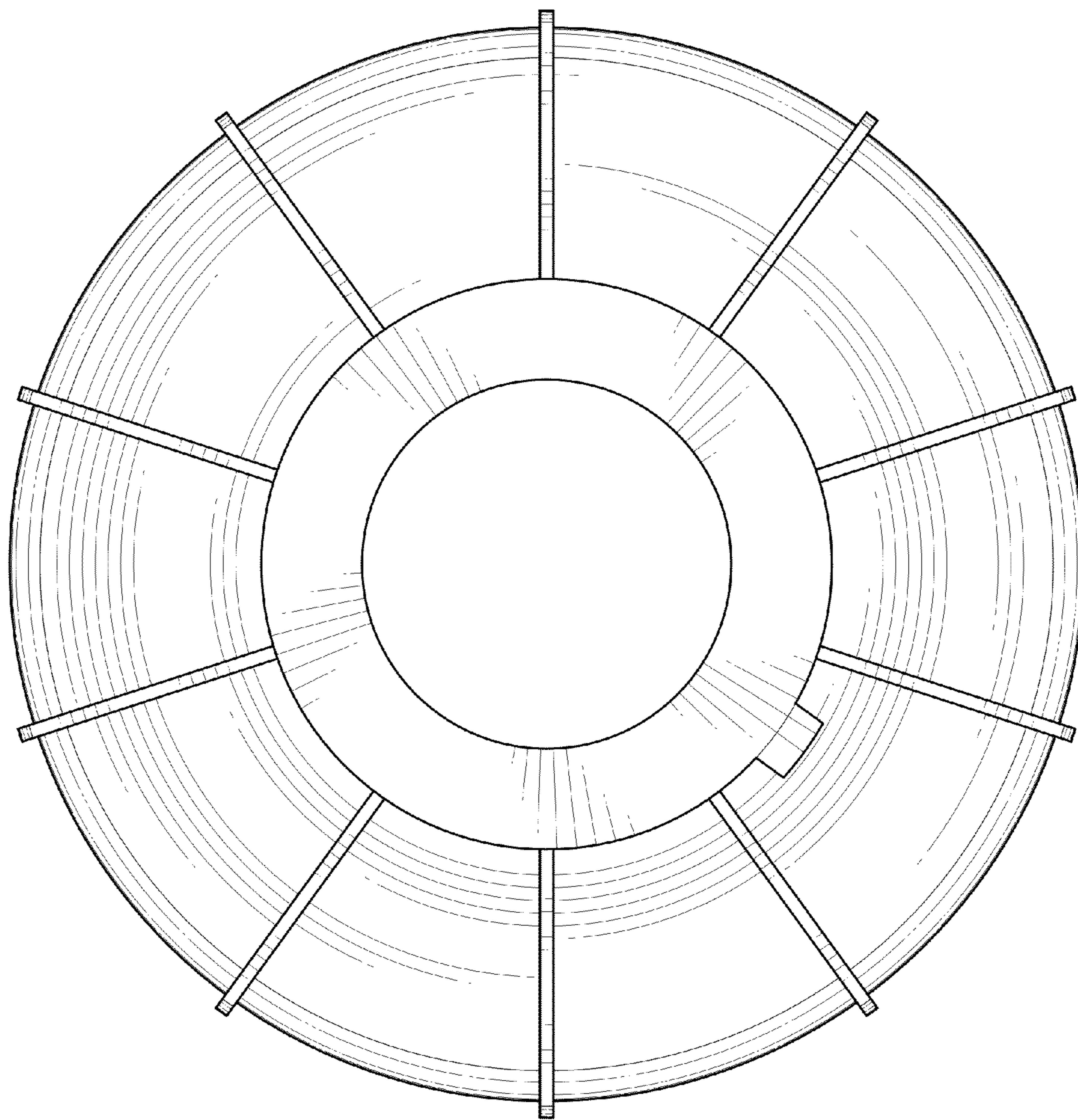


Fig. 2

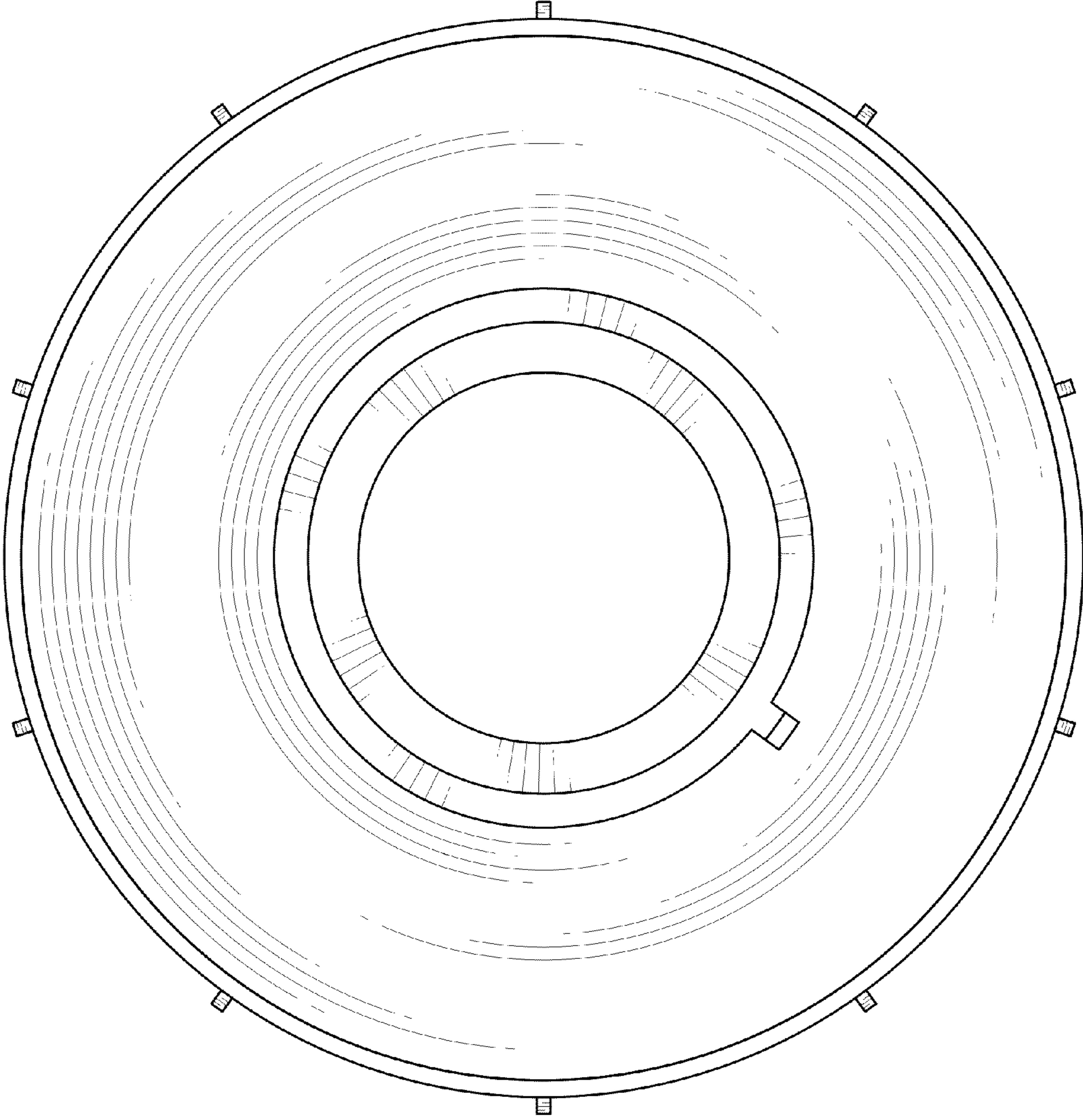


Fig. 3

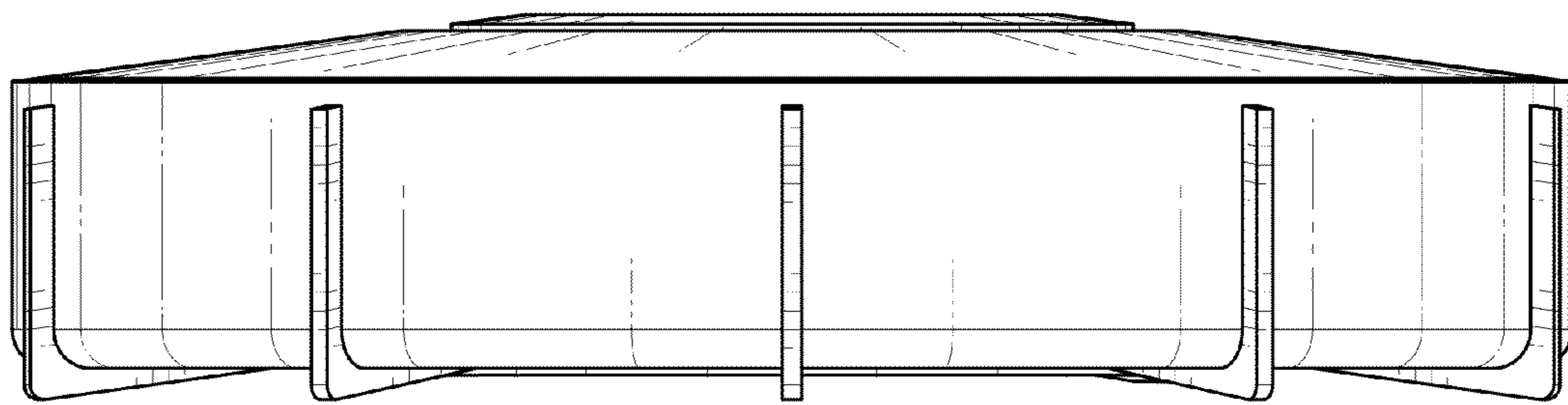


Fig. 4