



US00D756247S

(12) **United States Design Patent**
Pollock et al.

(10) **Patent No.:** **US D756,247 S**

(45) **Date of Patent:** **** May 17, 2016**

(54) **COLLAPSIBLE METAL DETECTOR**

8,842,035 B2 * 9/2014 Duvoisin, III G01S 13/885
324/326

(71) Applicant: **Minelab Electronics Pty Limited**,
Torrensville (AU)

D719,853 S * 12/2014 Manneschi D10/103
9,041,401 B2 * 5/2015 Anzel G01V 3/15
324/326

(72) Inventors: **Nathan Anderson Pollock**, Torrensville
(AU); **Michael Rossignuolo**,
Torrensville (AU); **Lee Anthony**
Rodezno, Torrensville (AU); **Troy**
Christiaan Nyssen, Torrensville (AU);
Lars Milde, Torrensville (AU)

* cited by examiner

Primary Examiner — Antoine D Davis

(74) *Attorney, Agent, or Firm* — The Webb Law Firm

(73) Assignee: **Minelab Electronics Pty Limited**,
Torrensville, South Australia (AU)

(57) **CLAIM**

The ornamental design for a collapsible metal detector, as
shown and described.

(**) Term: **14 Years**

(21) Appl. No.: **29/517,975**

DESCRIPTION

(22) Filed: **Feb. 19, 2015**

(30) **Foreign Application Priority Data**

Aug. 22, 2014 (AU) 201414182

(51) **LOC (10) Cl.** **10-04**

(52) **U.S. Cl.**
USPC **D10/47**

(58) **Field of Classification Search**

USPC D10/47
CPC G01V 3/00; G01V 3/02; G01V 3/04;
G01V 3/06; G01V 3/08; G01V 3/081; G01V
3/082; G01V 3/083; G01V 2003/084; G01V
2003/085; G01V 2003/086; G01V 3/087;
G01V 3/088; G01V 3/10; G01V 3/101;
G01V 3/102; G01V 3/104; G01V 3/105

See application file for complete search history.

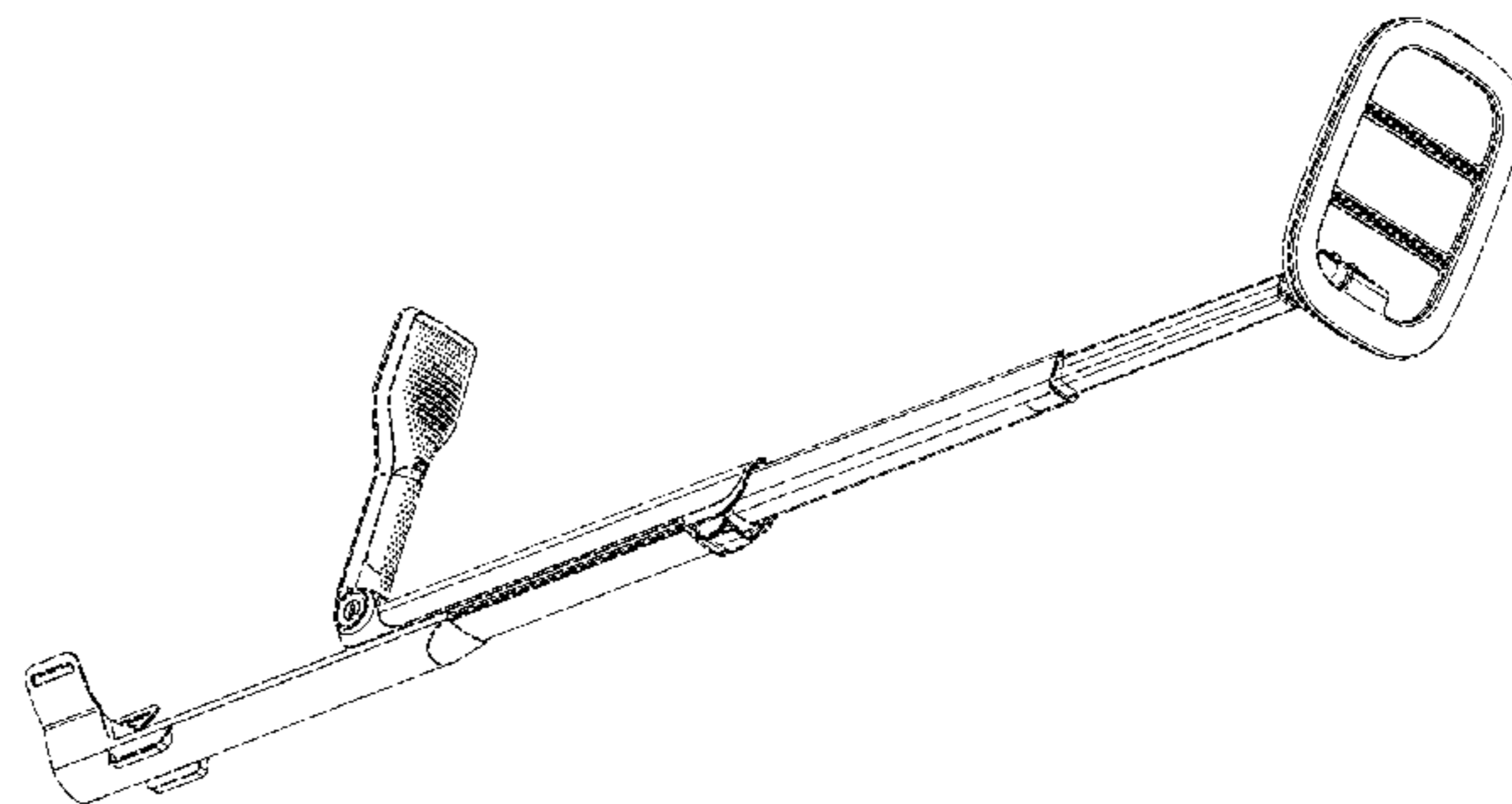
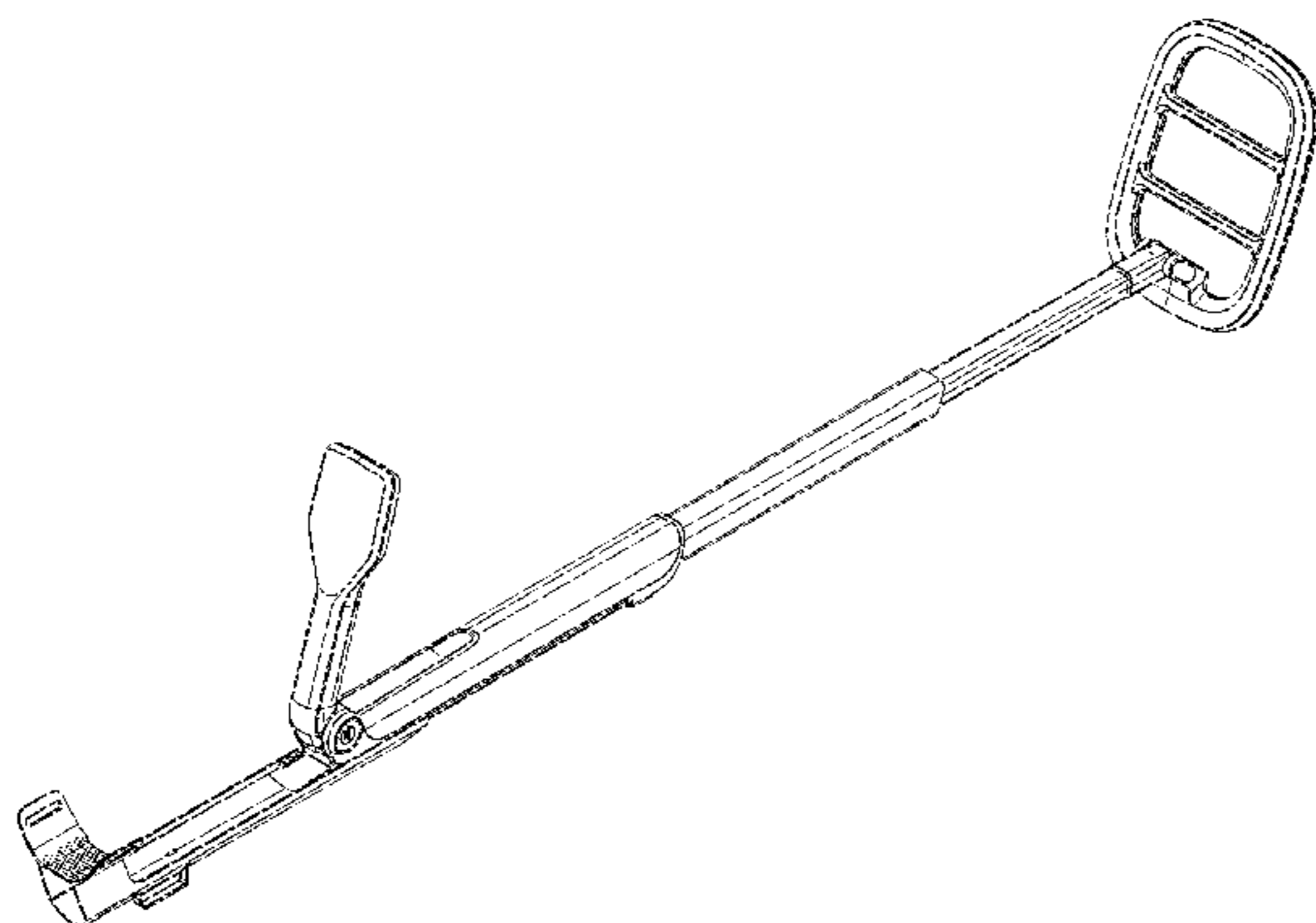
FIG. 1 is an upper perspective view of a collapsible metal
detector, showing our new design in a collapsed condition;
FIG. 2 is a lower perspective view thereof in the collapsed
condition;
FIG. 3 is a front view thereof in the collapsed condition;
FIG. 4 is a top view thereof in the collapsed condition;
FIG. 5 is a right side view thereof in the collapsed condition;
FIG. 6 is a left side view thereof in the collapsed condition;
FIG. 7 is a bottom view thereof in the collapsed condition;
FIG. 8 is a rear view thereof in the collapsed condition;
FIG. 9 is an upper perspective view thereof in an extended
condition;
FIG. 10 is a lower perspective view thereof in the extended
condition;
FIG. 11 is a top view thereof in the extended condition;
FIG. 12 is a right side view thereof in the extended condition;
FIG. 13 is a rear view thereof in the extended condition;
FIG. 14 is a left side view thereof in the extended condition;
FIG. 15 is a bottom view thereof in the extended condition;
and,
FIG. 16 is a front view thereof in the extended condition.

(56) **References Cited**

U.S. PATENT DOCUMENTS

D652,330 S * 1/2012 Arnold D10/47

1 Claim, 8 Drawing Sheets



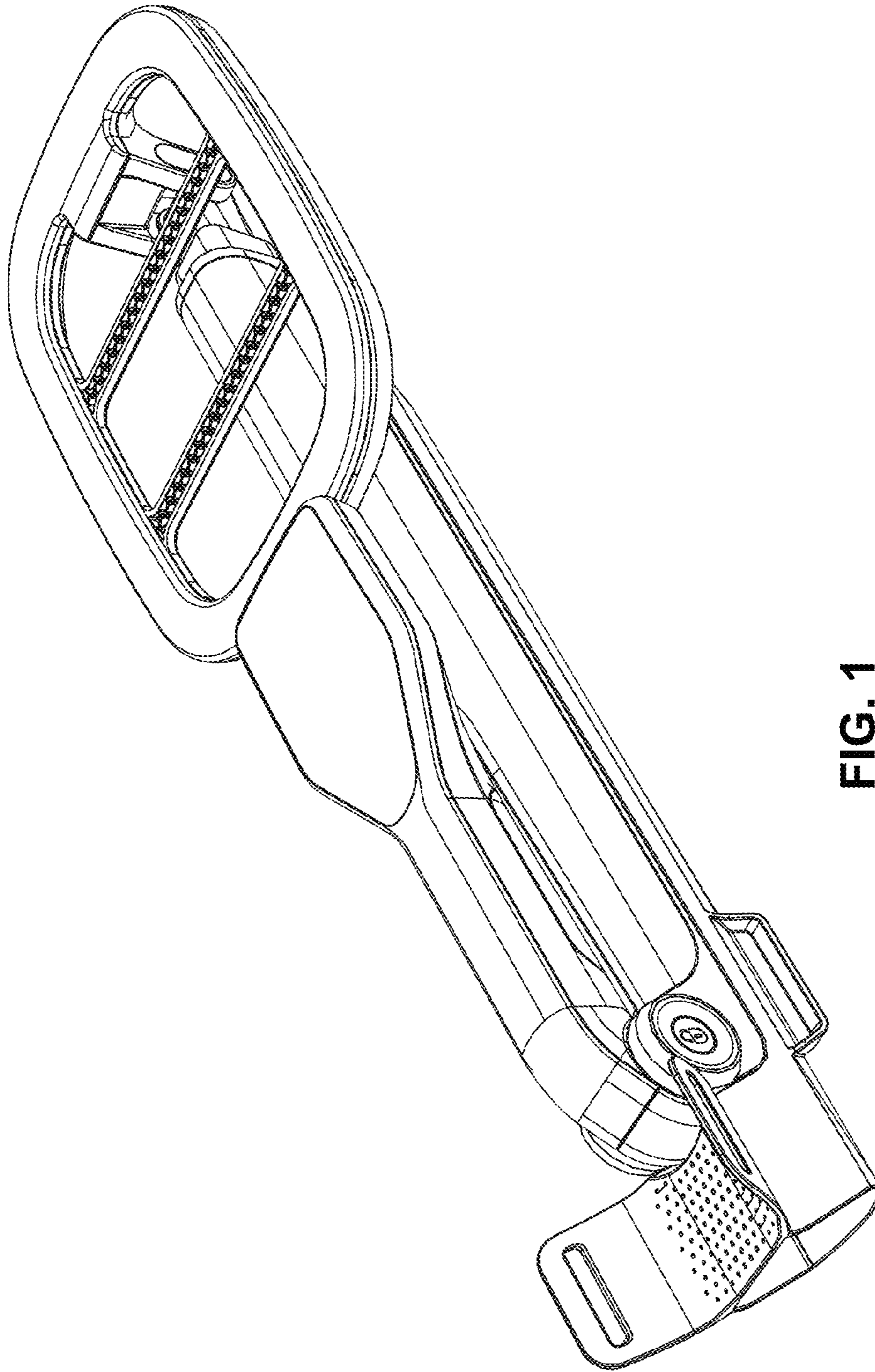


FIG. 1

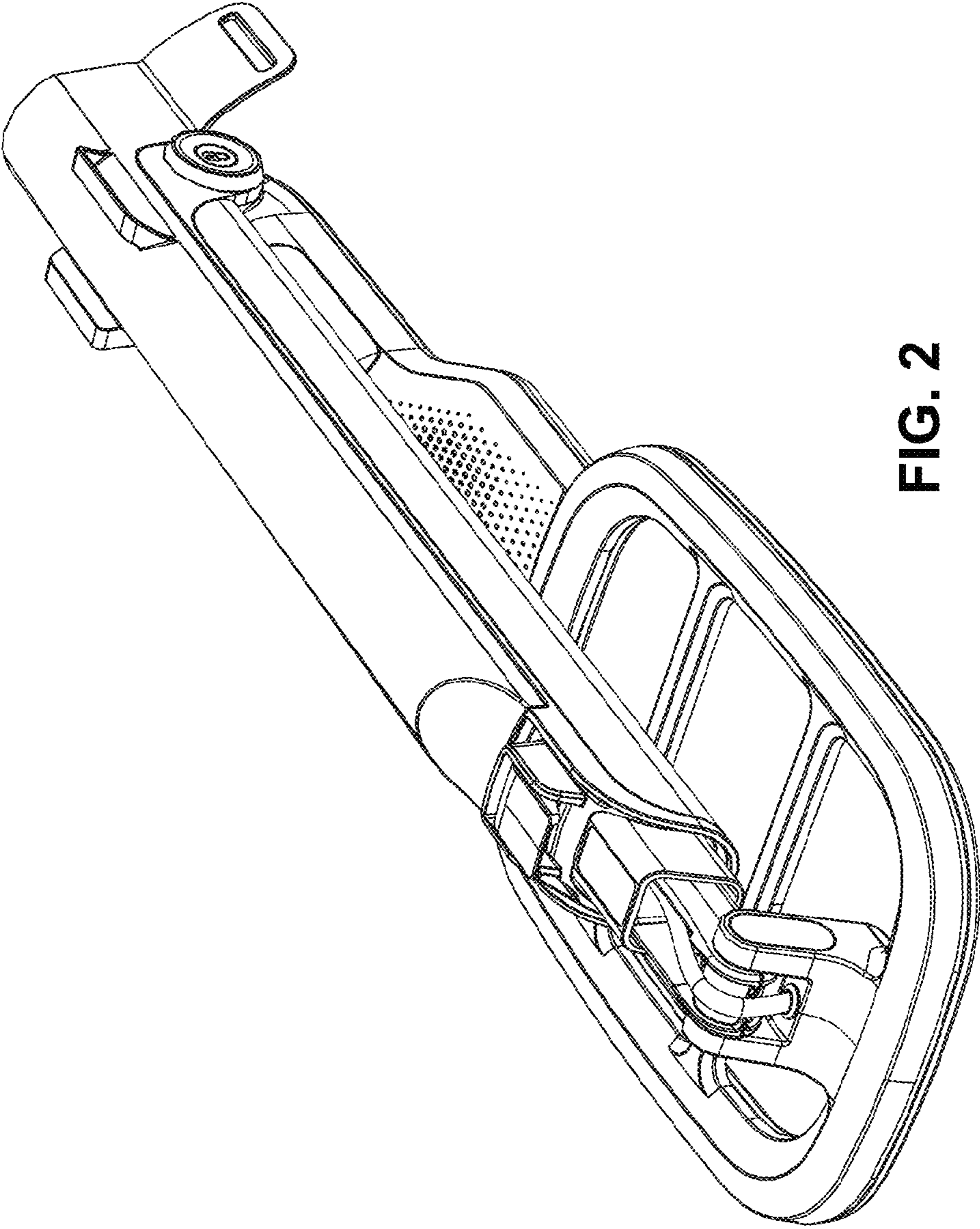


FIG. 2

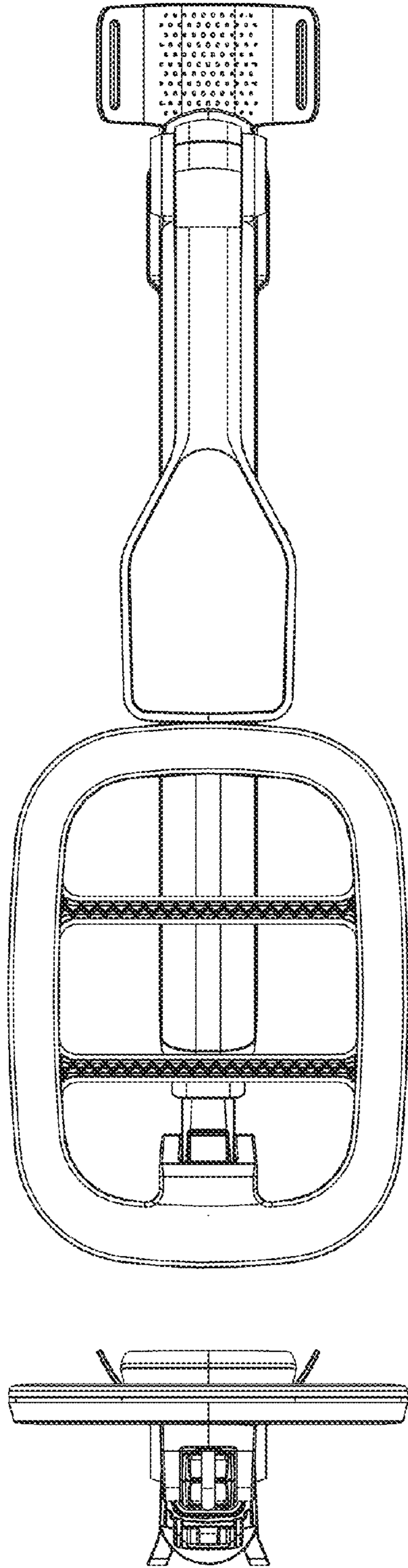


FIG. 3

FIG. 4

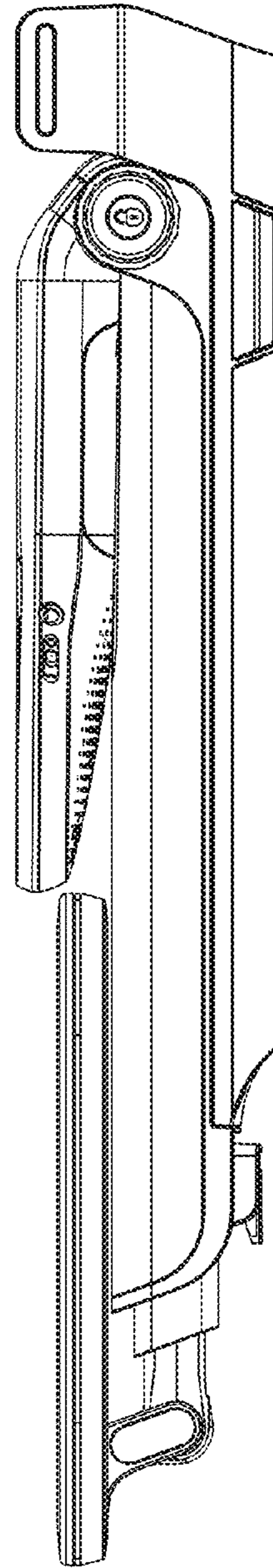


FIG. 5

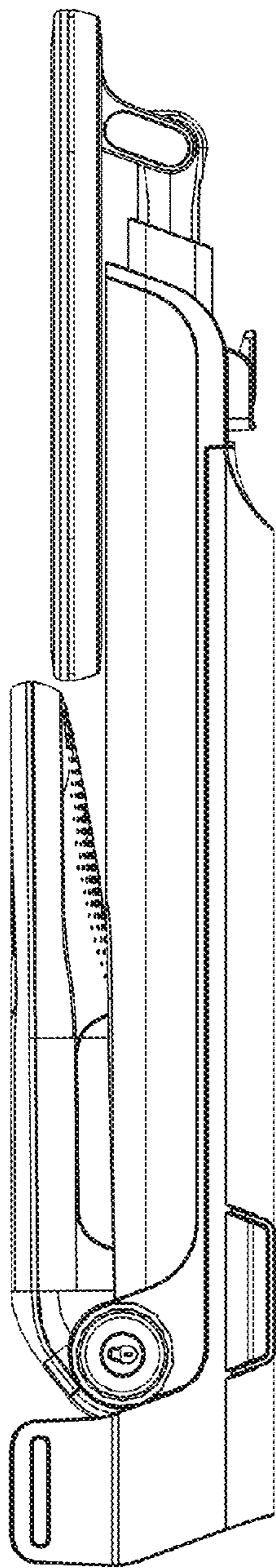


FIG. 6

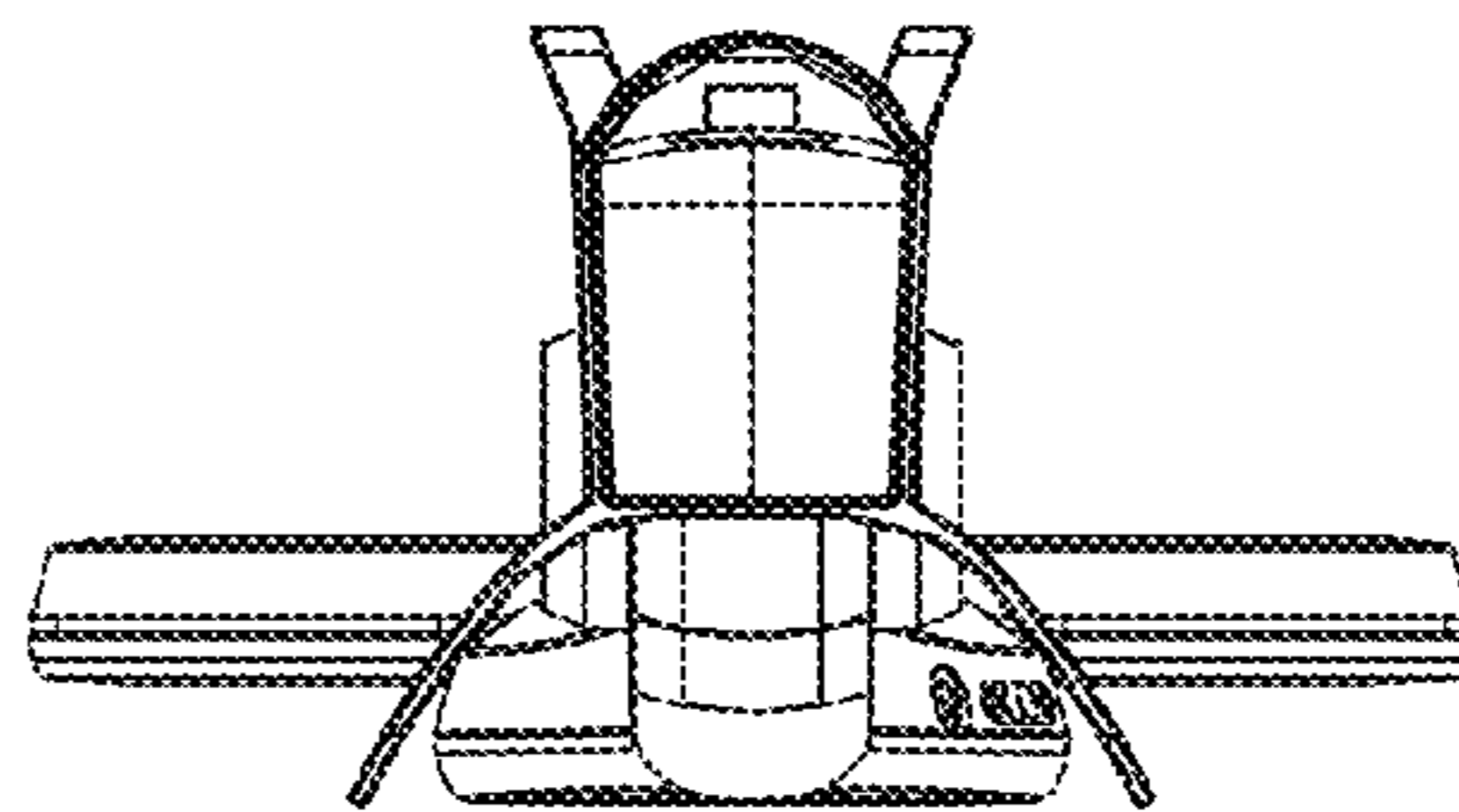


FIG. 8

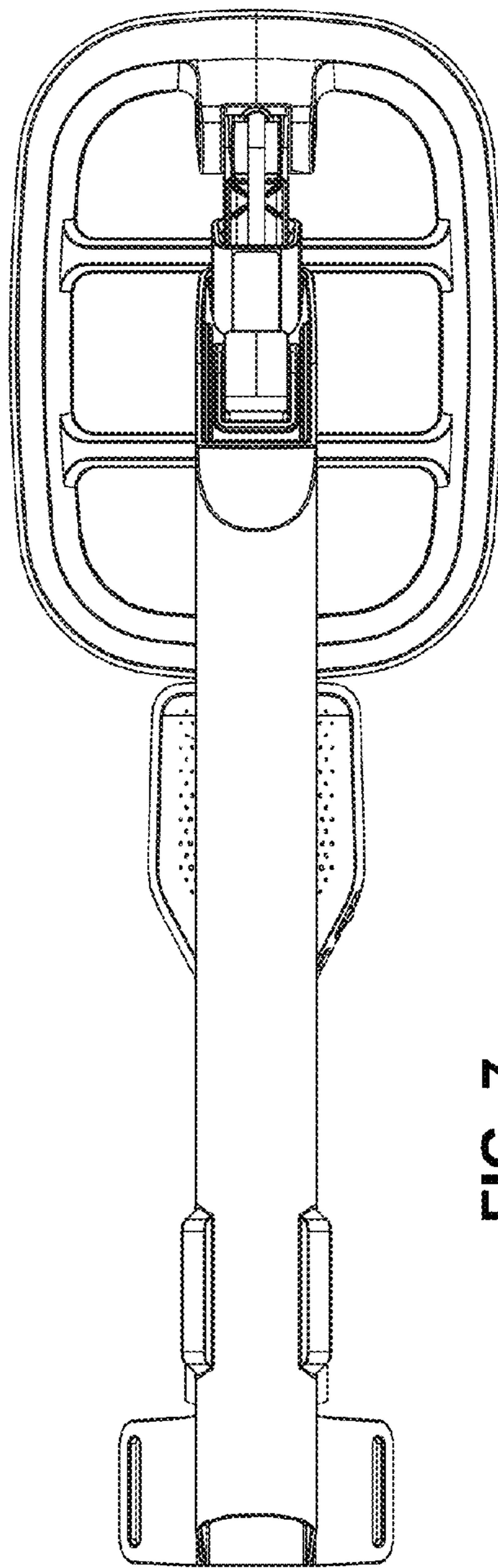


FIG. 7

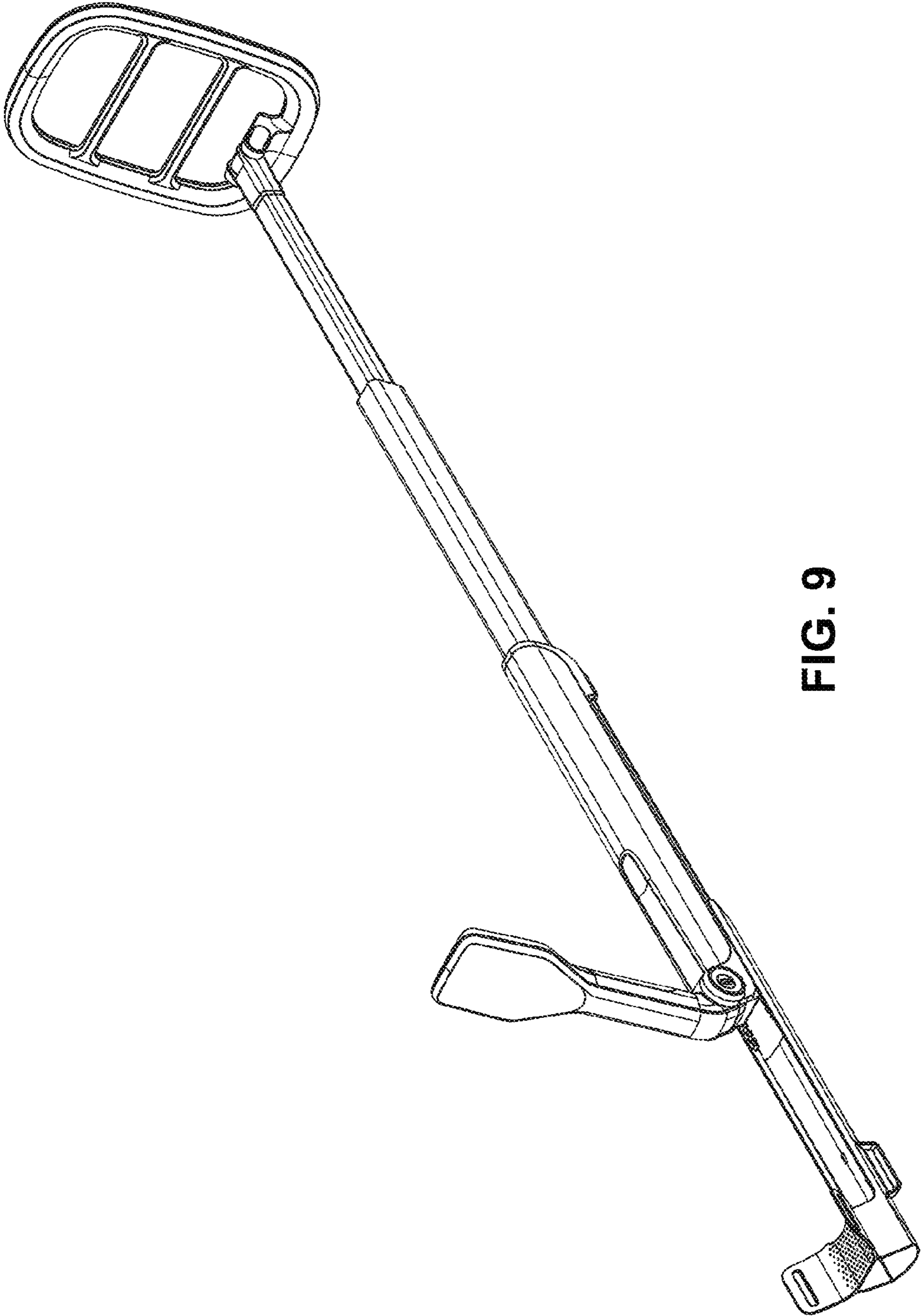


FIG. 9

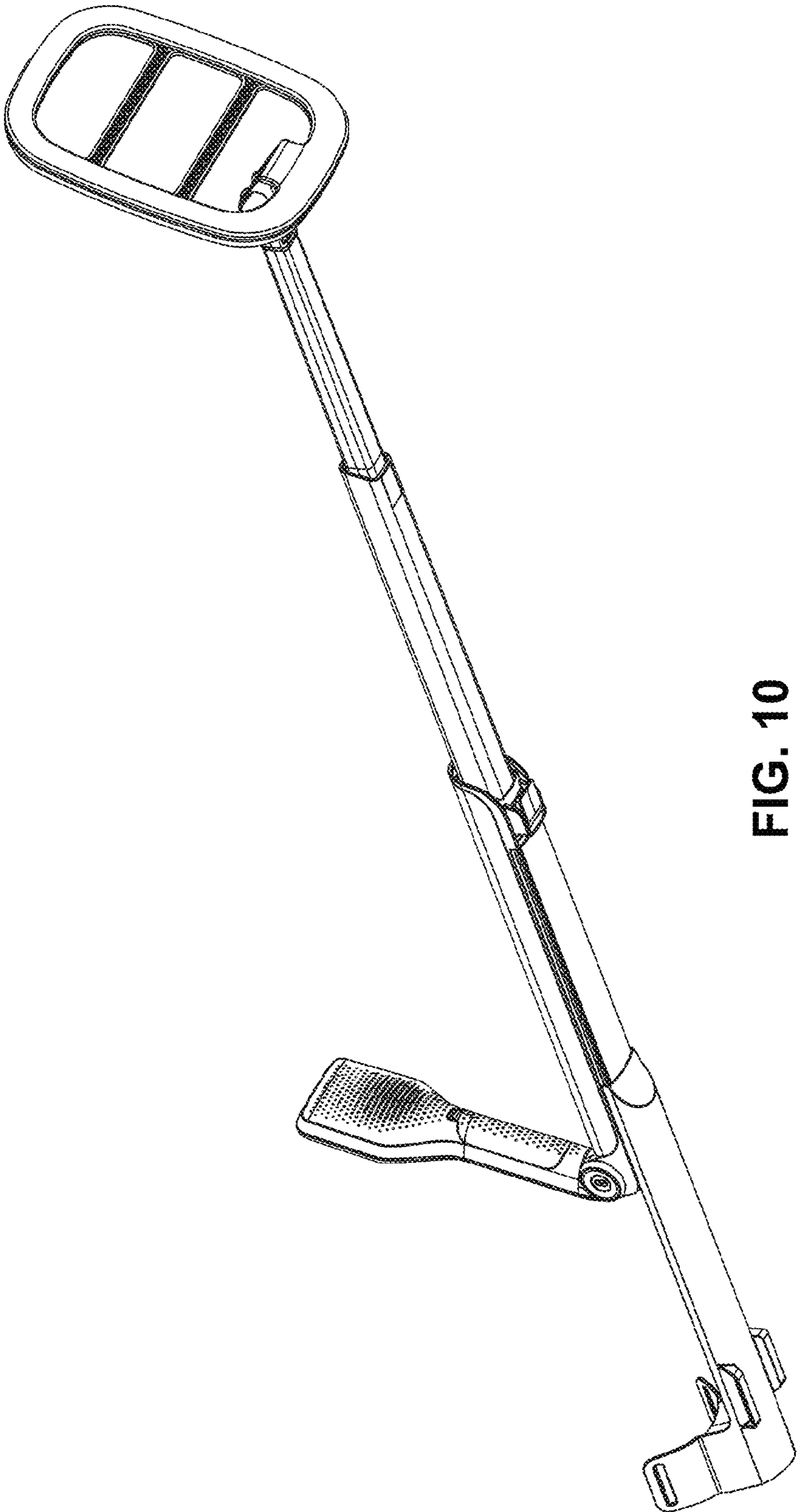


FIG. 10

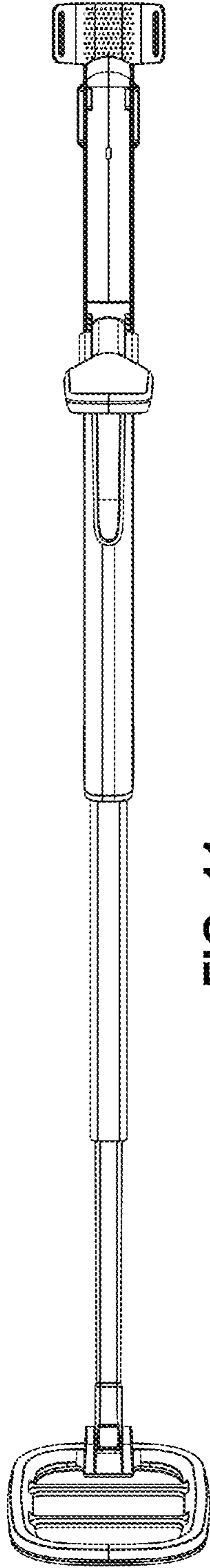


FIG. 11

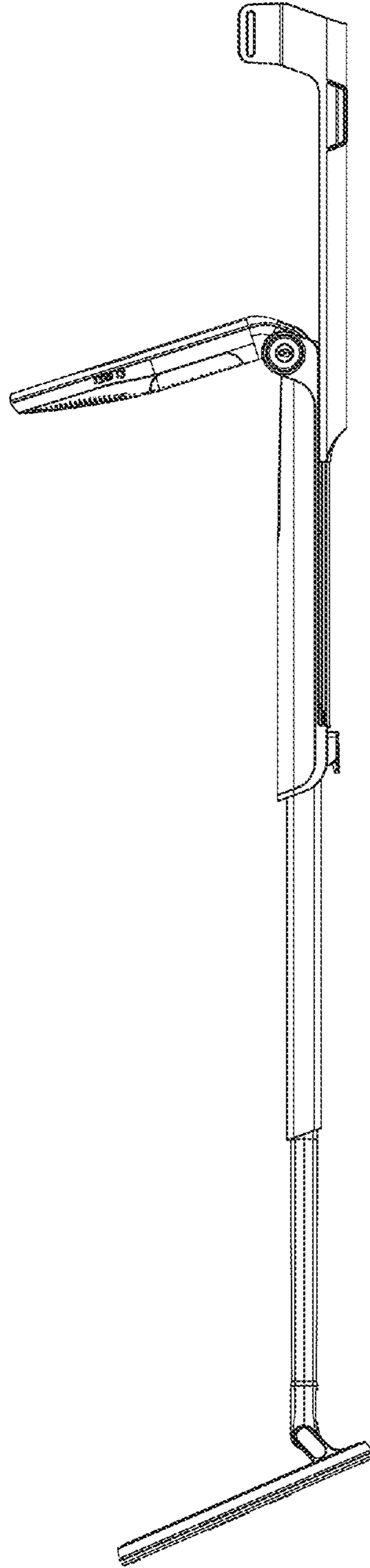


FIG. 12

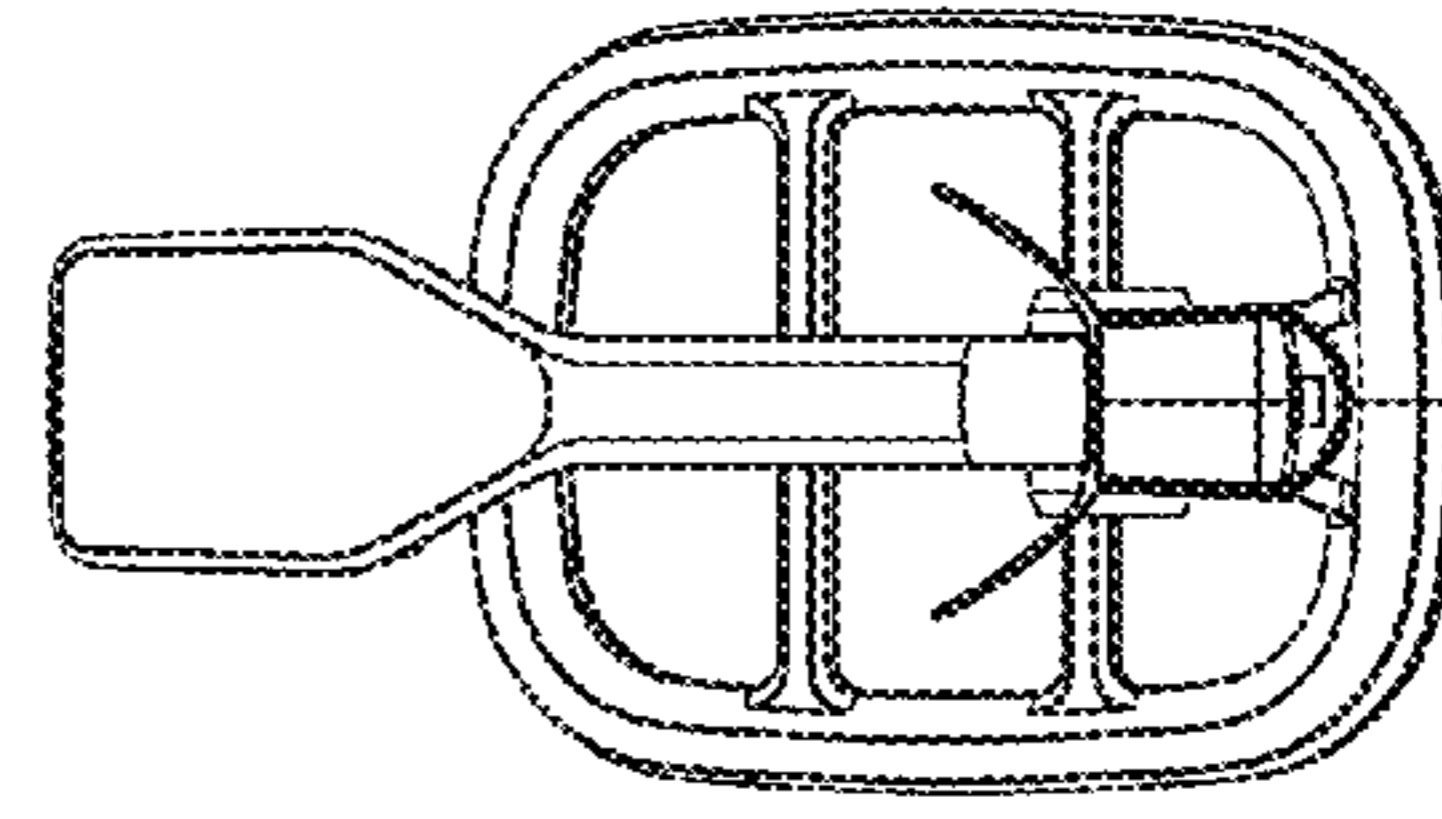


FIG. 13

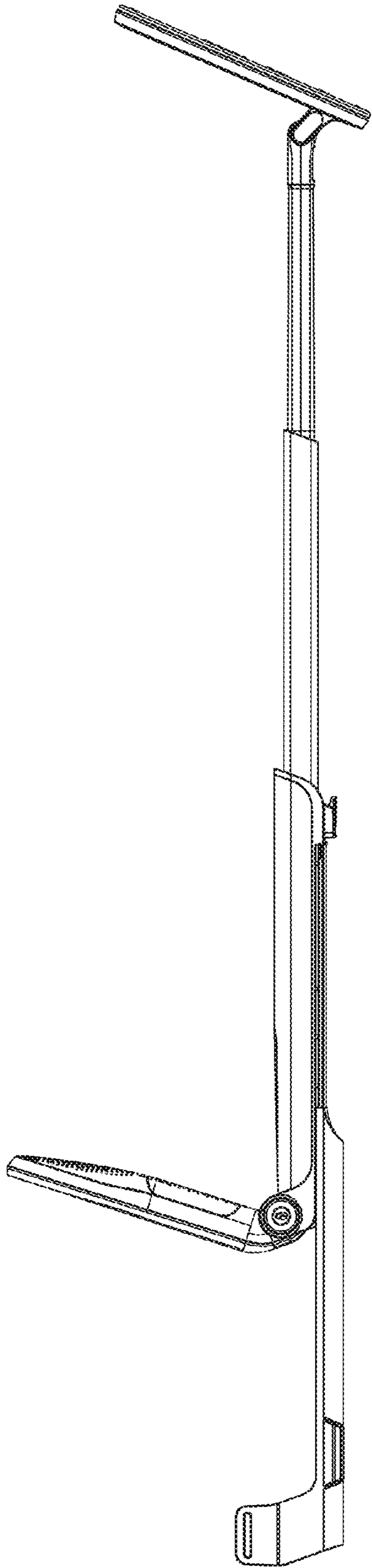


FIG. 14

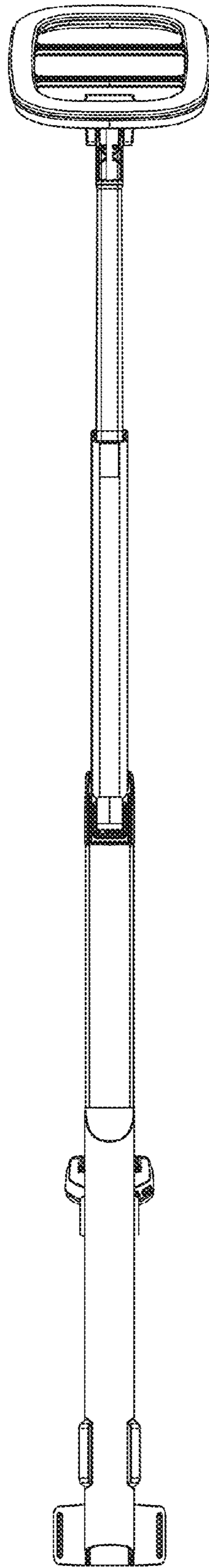


FIG. 15

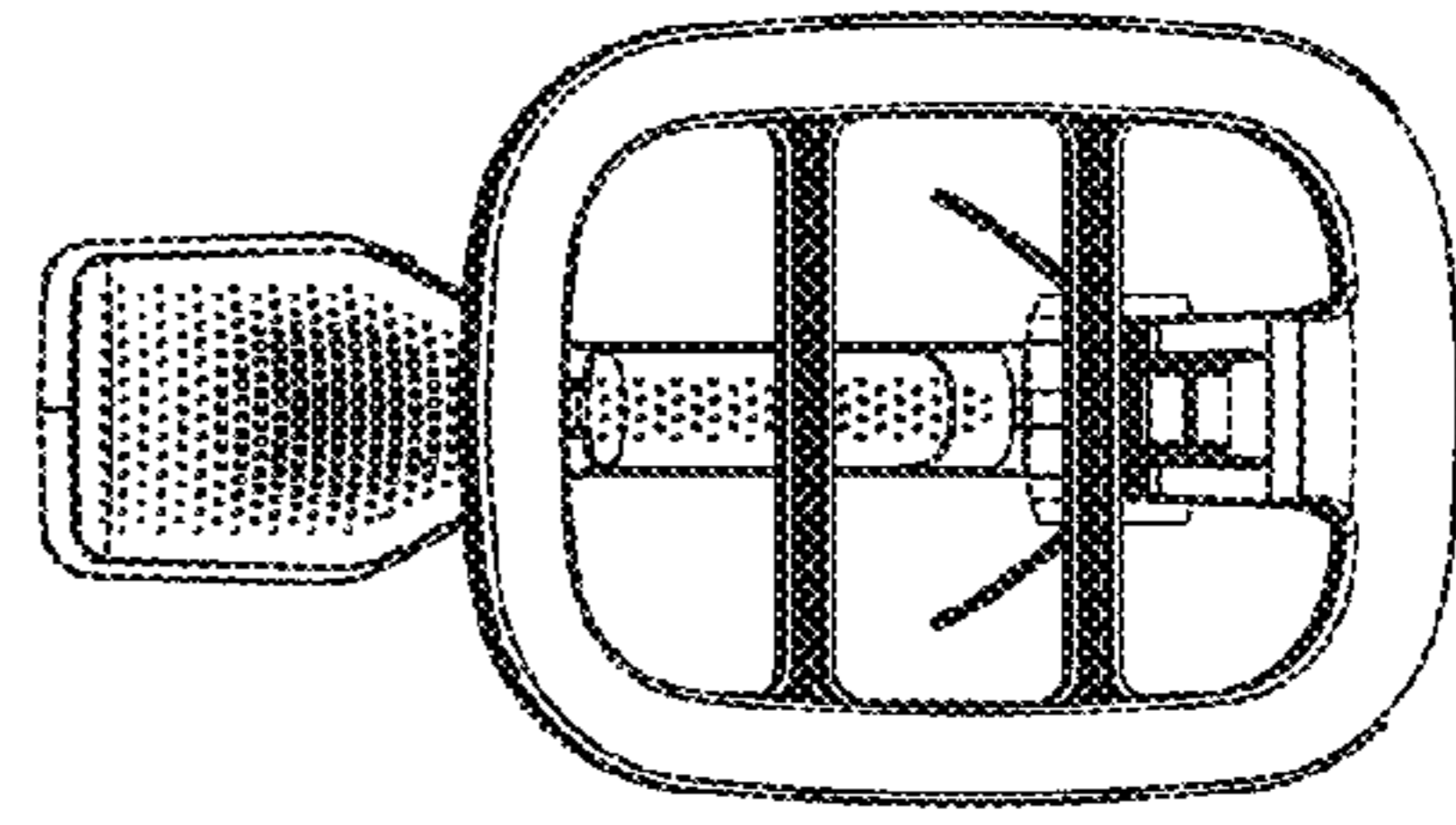


FIG. 16