

US00D756244S

(12) **United States Design Patent**
Bastian et al.

(10) **Patent No.:** **US D756,244 S**

(45) **Date of Patent:** **** May 17, 2016**

(54) **WATCH**

(71) Applicant: **Hewlett-Packard Development Company, L.P.**, Houston, TX (US)

(72) Inventors: **Michael Bastian**, Houston, TX (US);
Terrance O'Shea, Houston, TX (US);
Sridhar V. Solur, Houston, TX (US);
Brian Spate, Houston, TX (US)

(73) Assignee: **Hewlett-Packard Development Company, L.P.**, Houston, TX (US)

(**) Term: **14 Years**

(21) Appl. No.: **29/502,439**

(22) Filed: **Sep. 16, 2014**

(51) **LOC (10) Cl.** **10-02**

(52) **U.S. Cl.**
USPC **D10/39; D10/30; D10/132**

(58) **Field of Classification Search**
USPC **D10/30-39, 1-29, 122-132**
CPC **G04B 19/00; G04B 15/00; G04B 17/285;**
G04B 37/00; G04B 37/0008; G04B 37/0058;
G04B 45/00; G04B 45/0069; G04B 45/0076
See application file for complete search history.

(56) **References Cited**

U.S. PATENT DOCUMENTS

D23,464 S *	7/1894	Colby	D10/126
D459,236 S *	6/2002	Haquet	D10/30
D497,109 S *	10/2004	Itsubo	D10/30
D511,695 S *	11/2005	Hegi	D10/39

D523,357 S *	6/2006	Kummer	D10/38
D539,674 S *	4/2007	Vaptzarof	D10/38
D545,714 S *	7/2007	Nataf	D10/126
7,355,556 B2 *	4/2008	Abe	343/788
D568,180 S *	5/2008	Laucella	D10/39
D573,502 S *	7/2008	Lalo	D10/122
D582,793 S *	12/2008	Lalo	D10/38
D583,259 S *	12/2008	Arpa	D10/39
D642,075 S *	7/2011	Crocco	D10/39
D658,511 S *	5/2012	Wai Kei	D10/32
D668,971 S *	10/2012	Tedeschi	D10/39
2012/0075964 A1 *	3/2012	Hirayama	368/281

* cited by examiner

Primary Examiner — **Martie K Holtje**

(74) *Attorney, Agent, or Firm* — **Foley & Lardner**

(57) **CLAIM**

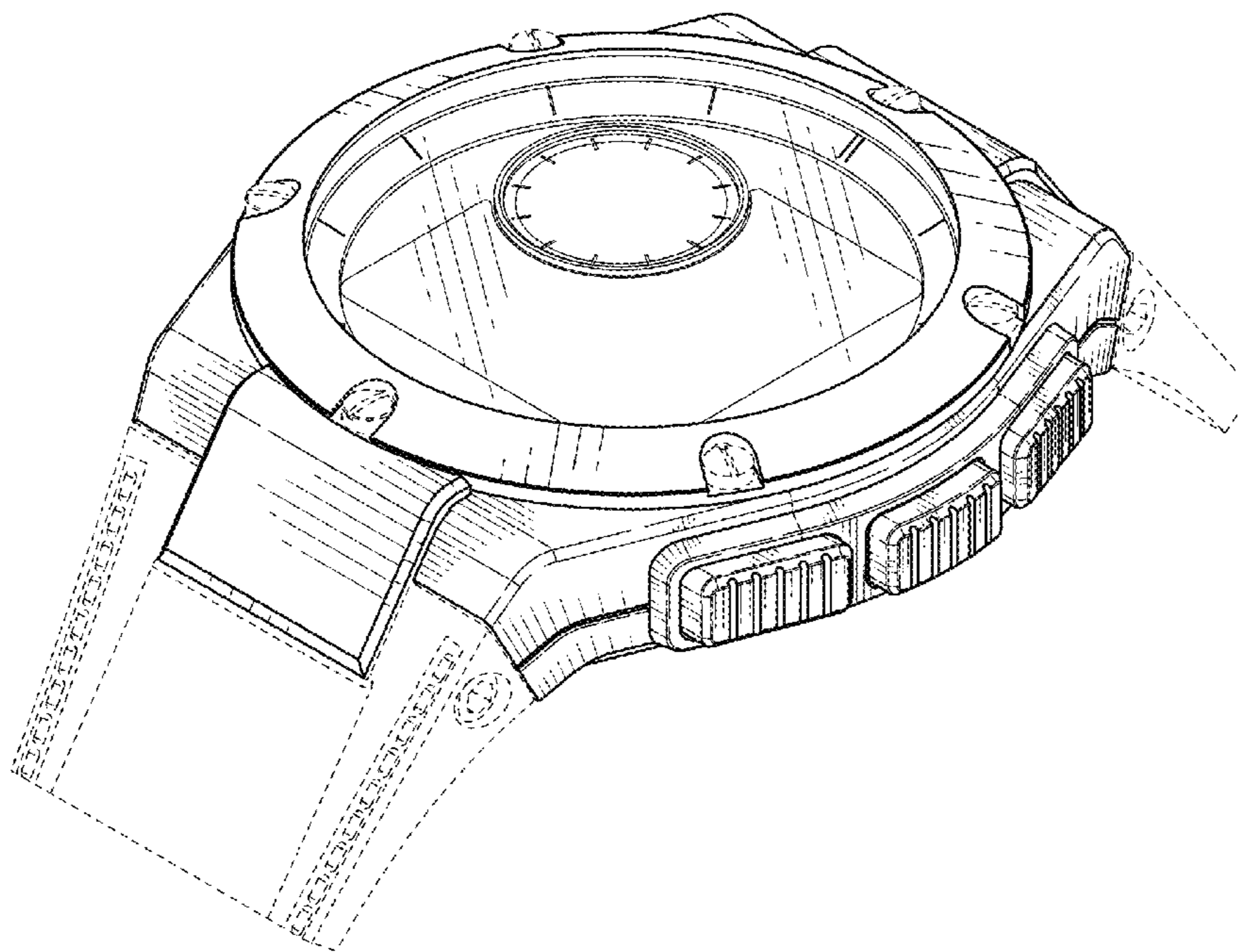
We claim the ornamental design for a watch, as shown and described.

DESCRIPTION

FIG. 1 is a bottom, right front perspective view of a watch showing our new design;
FIG. 2 is a front elevational view thereof;
FIG. 3 is a rear elevational view thereof;
FIG. 4 is a left side elevational view thereof;
FIG. 5 is a right side elevational view thereof; and,
FIG. 6 is a bottom plan view, the top plan view being a mirror image thereof.

The ornamental design which is claimed is shown in solid lines in the drawings. The broken lines in the drawings form no part of the claimed design. Broken lines formed by equal length dashes show unclaimed subject matter.

1 Claim, 5 Drawing Sheets



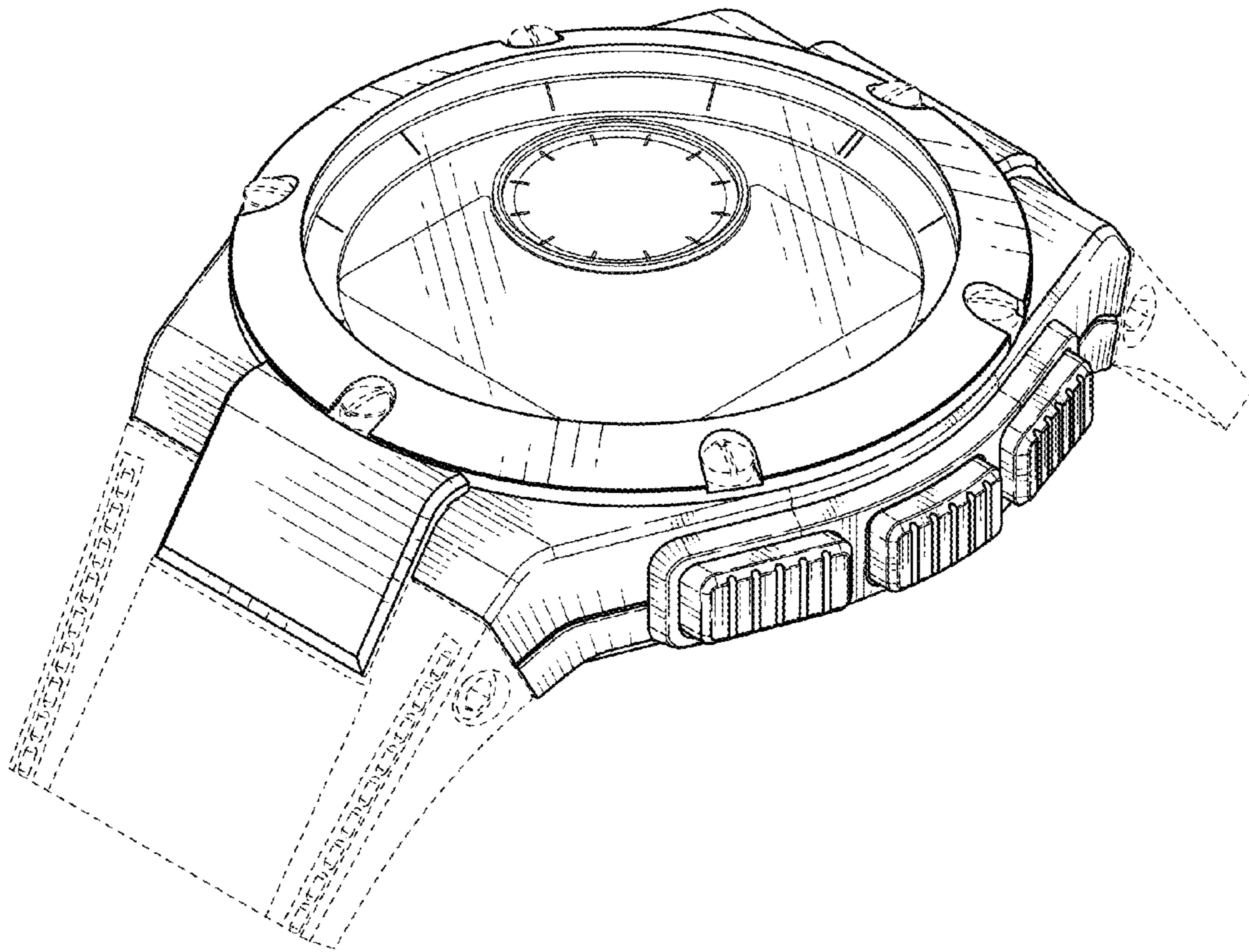


FIG. 1

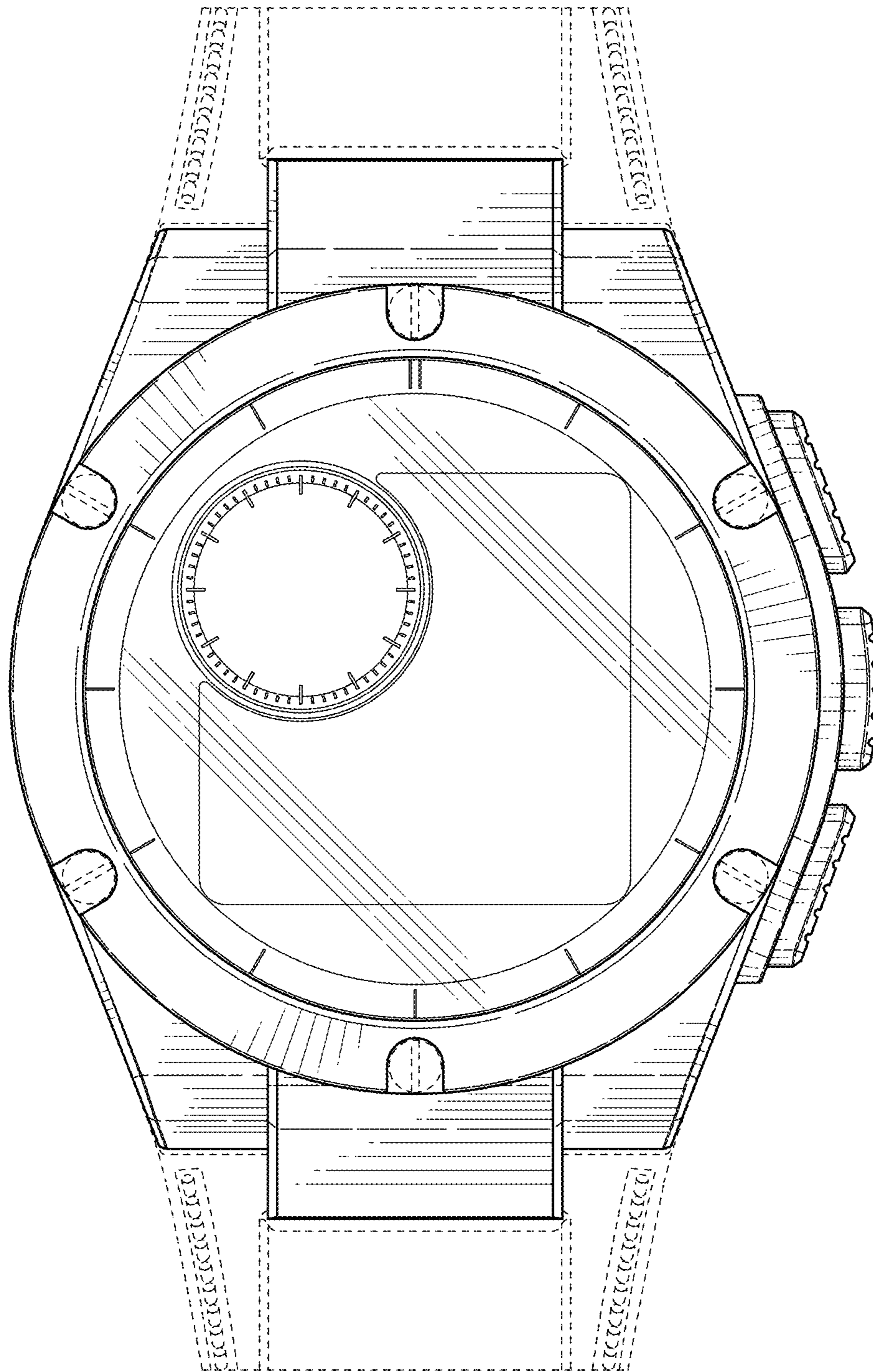


FIG. 2

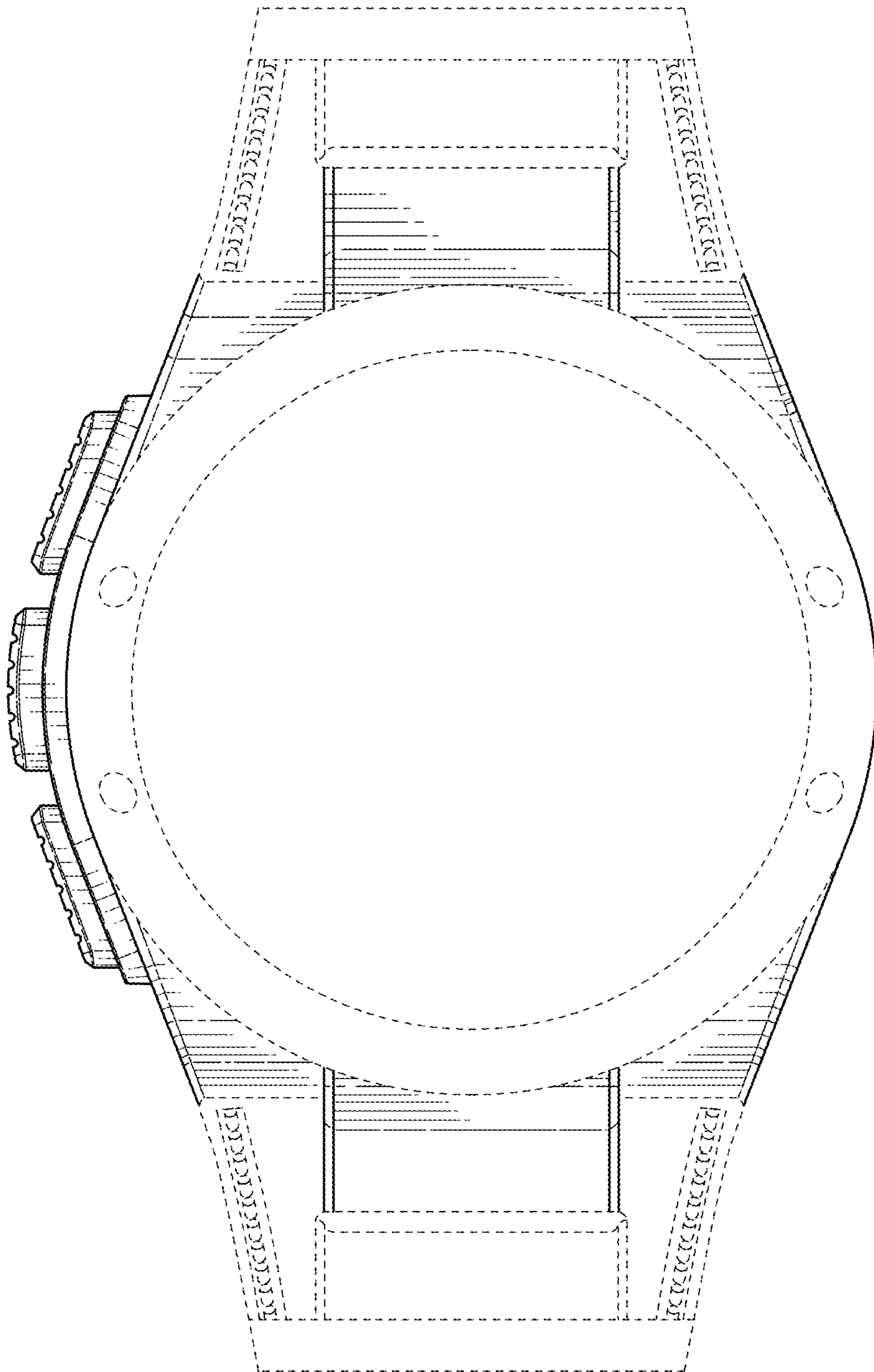


FIG. 3

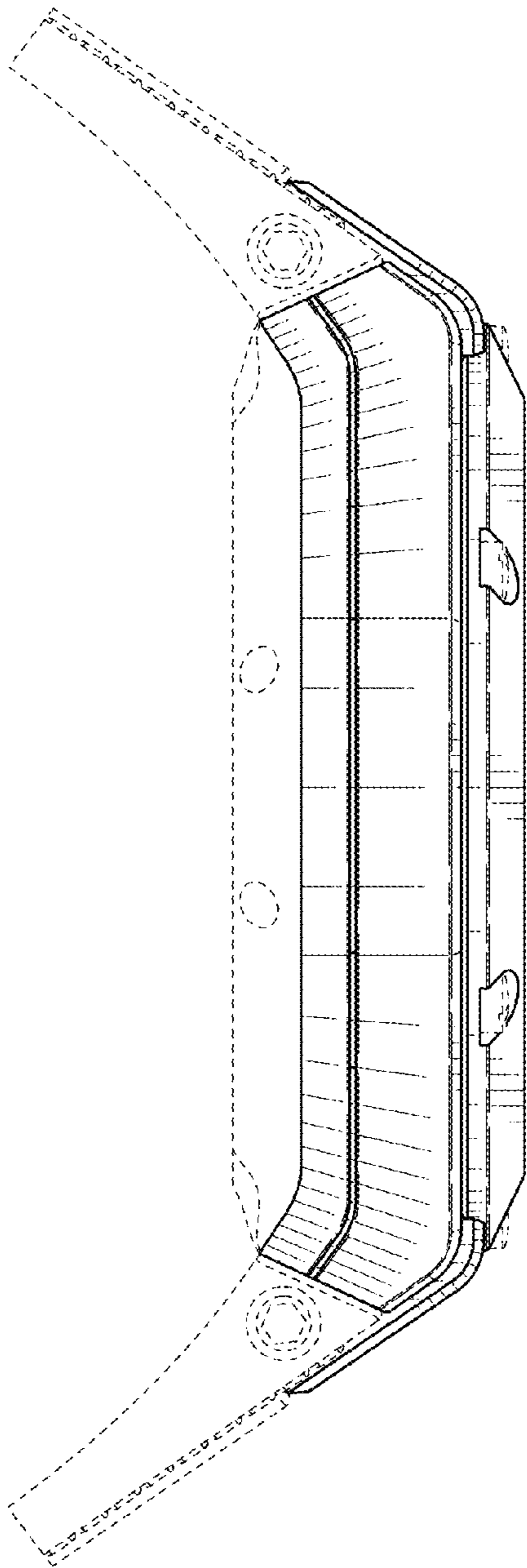


FIG. 4

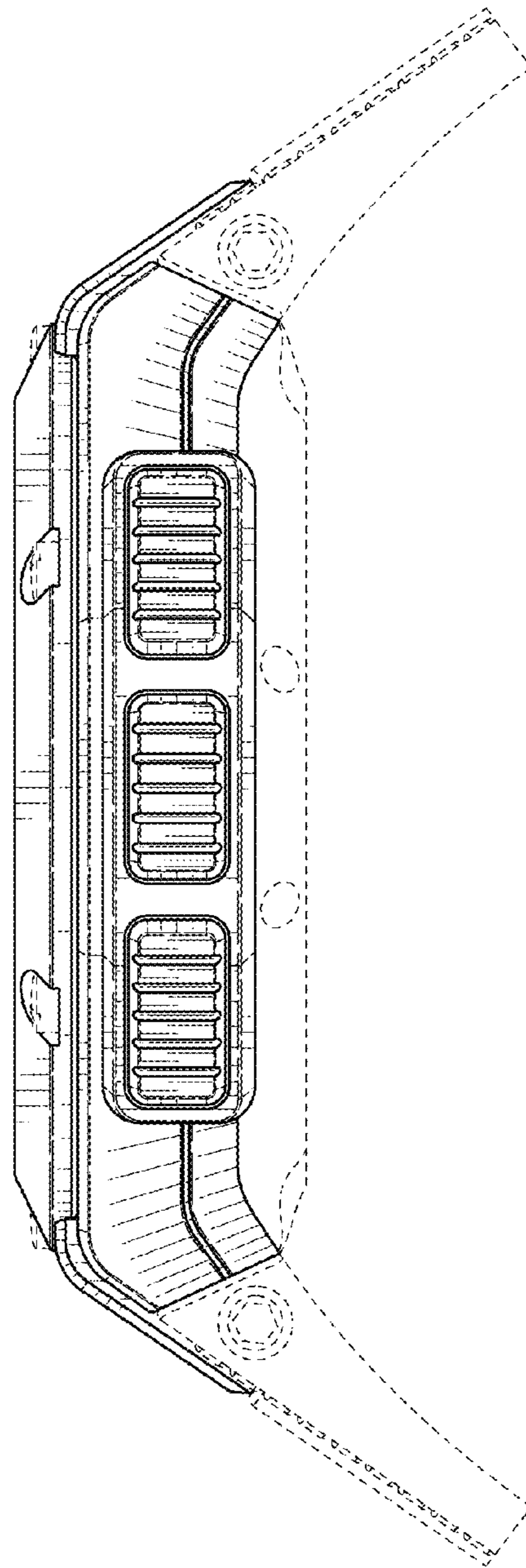


FIG. 5

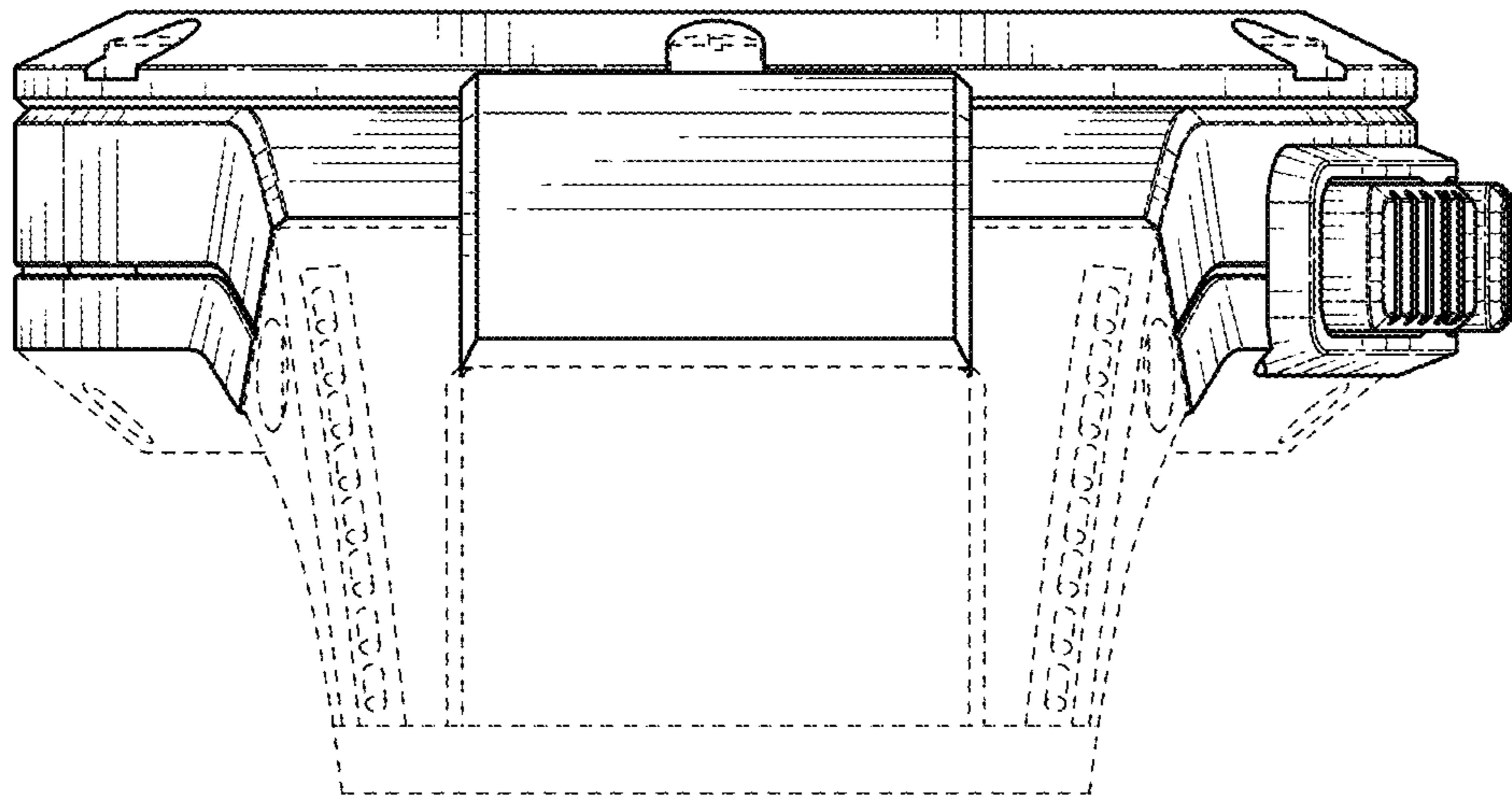


FIG. 6