



US00D756242S

(12) **United States Design Patent**
Gabor et al.

(10) **Patent No.:** **US D756,242 S**

(45) **Date of Patent:** **** May 17, 2016**

(54) **DIGITAL WATCH**

(71) Applicant: **ARM IP LIMITED**, Cambridge (GB)

(72) Inventors: **Balint Gabor**, Szentendre (HU);
Szabolcs Sojtory, Budapest (HU);
Steven James Osborne, Cambridge
(GB)

(73) Assignee: **ARM IP LIMITED**, Cambridge (GB)

(**) Term: **14 Years**

(21) Appl. No.: **29/495,619**

(22) Filed: **Jul. 2, 2014**

(30) **Foreign Application Priority Data**

May 23, 2014 (EM) 002470096

(51) **LOC (10) Cl.** **10-02**

(52) **U.S. Cl.**
USPC **D10/32; D14/344**

(58) **Field of Classification Search**
USPC D10/30-39, 1-29, 122-132; D11/3;
D14/344, 138 R
CPC G04B 37/00; G04B 37/0008; G04C 3/00;
G04C 3/001; G04C 3/002; G04C 10/00;
H04B 1/385; G04G 9/00; G04G 9/0017;
G04G 9/0058; G04G 9/04; G04G 9/06;
G04G 9/107; G04G 17/00; G04G 17/08
See application file for complete search history.

(56) **References Cited**

U.S. PATENT DOCUMENTS

4,159,416 A * 6/1979 Brejnik A61B 5/02438
377/19
D366,036 S * 1/1996 Houlihan D10/30

(Continued)

Primary Examiner — Martie K Holtje

(74) *Attorney, Agent, or Firm* — Saul Ewing LLP

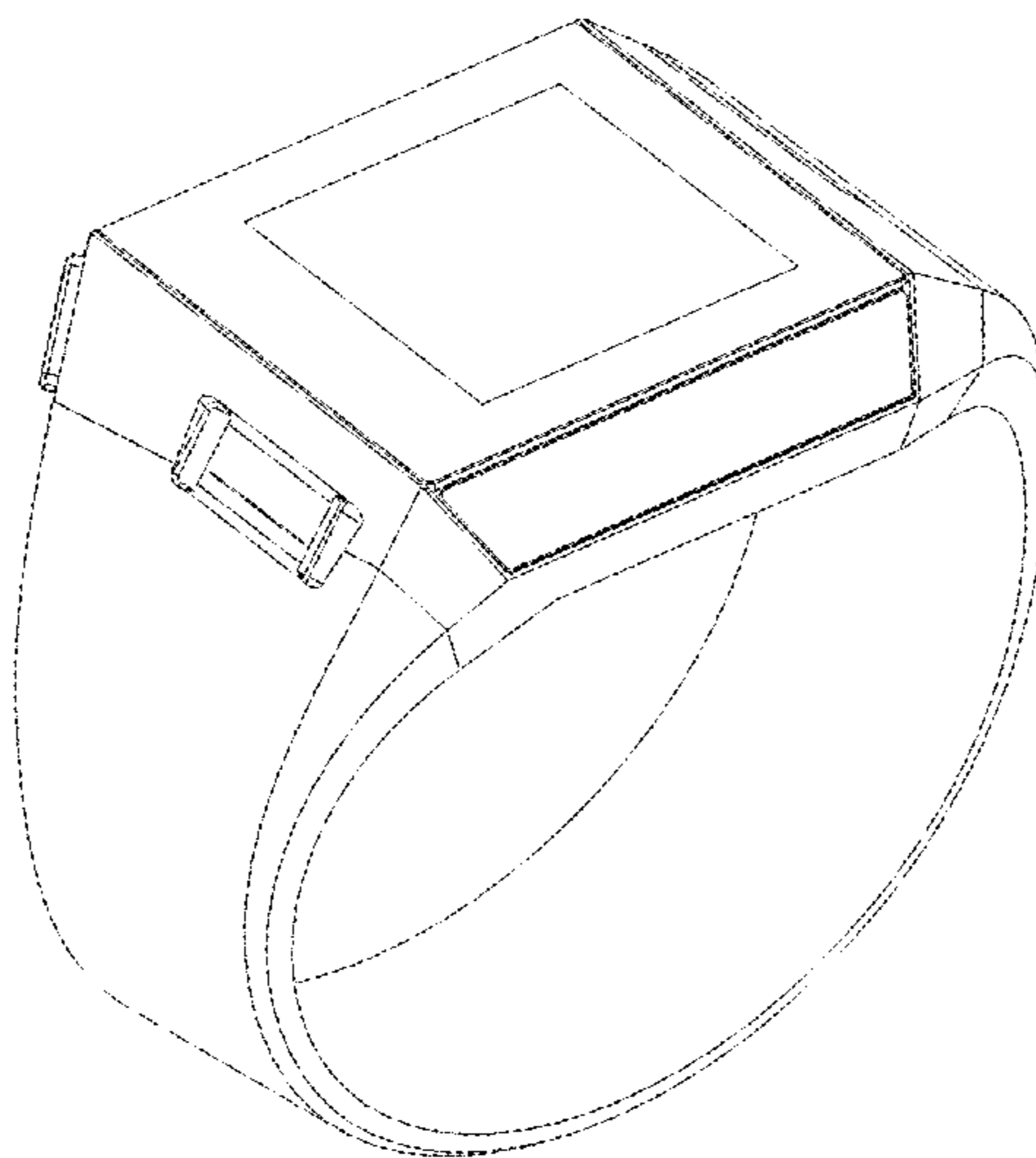
(57) **CLAIM**

The ornamental design for a digital watch, as shown and described.

DESCRIPTION

FIG. 1 is a top plan view of a first embodiment of a digital watch showing our new design;
FIG. 2 is a bottom plan view of FIG. 1;
FIG. 3 is a front elevational view of FIG. 1;
FIG. 4 is a rear elevational view of FIG. 1;
FIG. 5 is a left side elevational view of FIG. 1;
FIG. 6 is a right side elevational view of FIG. 1;
FIG. 7 is a top, right rear perspective view thereof;
FIG. 8 is a top plan view of a second embodiment of our design of FIG. 1;
FIG. 9 is a bottom plan view of FIG. 8;
FIG. 10 is a left side elevational view of FIG. 8;
FIG. 11 is a right side elevational view of FIG. 8;
FIG. 12 is a top, right rear perspective view of FIG. 8;
FIG. 13 is a top, left front perspective view of FIG. 8;
FIG. 14 is a top plan view of a third embodiment of our design of FIG. 1;
FIG. 15 is a bottom plan view of FIG. 14;
FIG. 16 is a rear elevational view of FIG. 14;
FIG. 17 is a left side elevational view of FIG. 14;
FIG. 18 is a right side elevational view of FIG. 14;
FIG. 19 is a top, right rear perspective view of FIG. 14;
FIG. 20 is a top, left front perspective view of FIG. 14;
FIG. 21 is a top plan view of a fourth embodiment of our design of FIG. 1;
FIG. 22 is a bottom plan view of FIG. 21;
FIG. 23 is a front elevational view of FIG. 21;
FIG. 24 is a rear elevational view of FIG. 21;
FIG. 25 is a left side elevational view of FIG. 21;
FIG. 26 is a right side elevational view of FIG. 21; and,
FIG. 27 is a top, right rear perspective view of FIG. 21.
The structural features depicted by broken lines have been shown for the purpose of illustrating portions of the digital watch that form no part of the claimed design.

1 Claim, 27 Drawing Sheets



(56)

References Cited

U.S. PATENT DOCUMENTS

6,477,117 B1 * 11/2002 Narayanaswami .. G04G 13/026
368/224
6,707,764 B2 * 3/2004 Davidson H04B 1/385
368/13
D621,808 S * 8/2010 Kim D14/138 R
D632,192 S * 2/2011 Jorst D10/38
D637,918 S * 5/2011 Cobbett D10/31
D638,723 S * 5/2011 Ong D10/32
8,301,211 B2 * 10/2012 Lee H04M 1/274525
340/539.11
8,380,258 B2 * 2/2013 Kim H01R 13/2421
455/128

D703,069 S * 4/2014 Adams D10/31
2009/0143117 A1 * 6/2009 Shin H04B 1/385
455/575.6
2009/0156255 A1 * 6/2009 Shin H04B 1/385
455/558
2009/0201767 A1 * 8/2009 Caldwell G04C 10/00
368/10
2011/0032105 A1 * 2/2011 Hoffman G04F 10/00
340/573.1
2012/0122519 A1 * 5/2012 Jochheim H04B 1/385
455/556.1
2013/0197857 A1 * 8/2013 Lu G01S 19/19
702/141
2014/0172983 A1 * 6/2014 Imamura H04L 67/2828
709/204

* cited by examiner

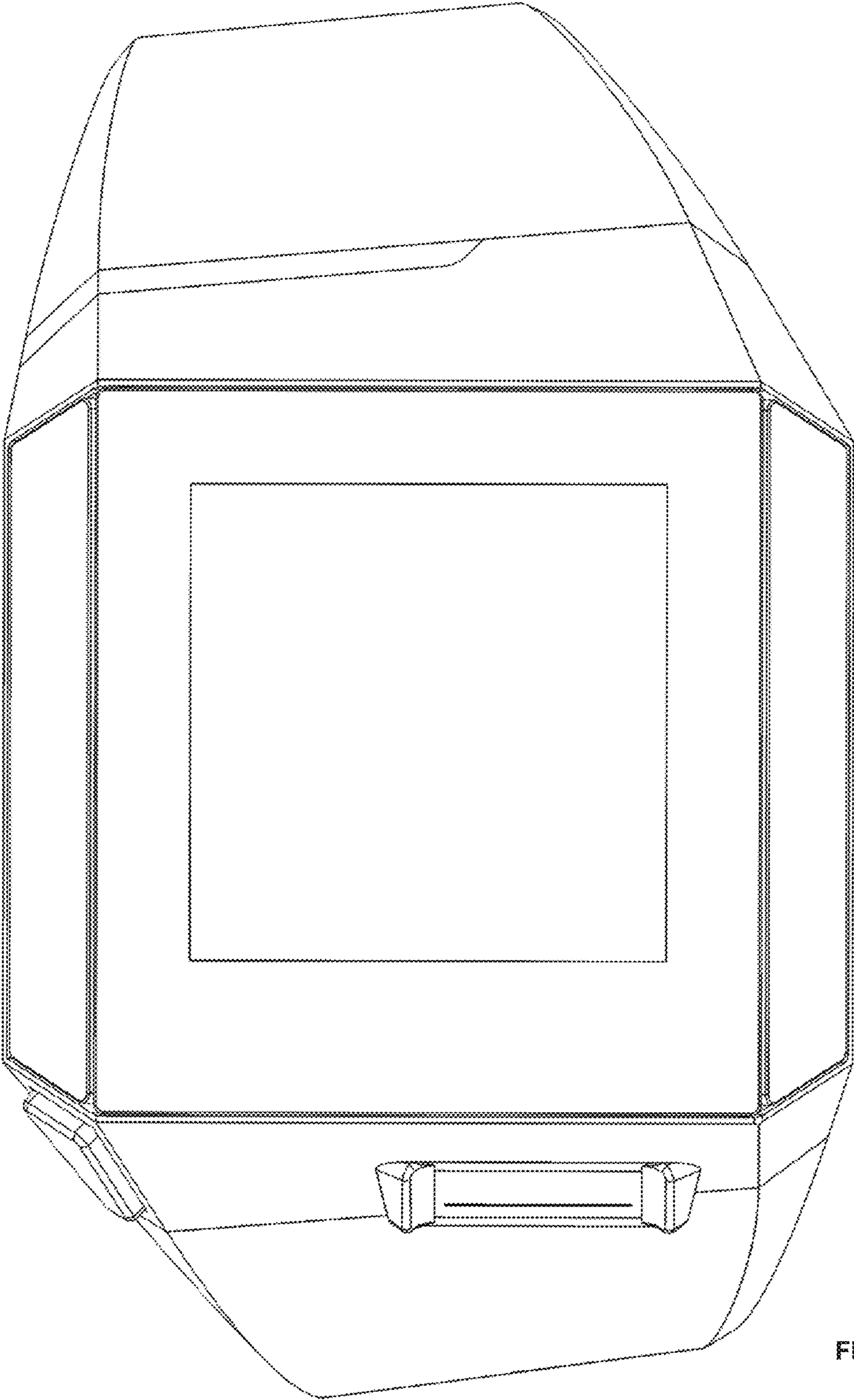


FIG. 1

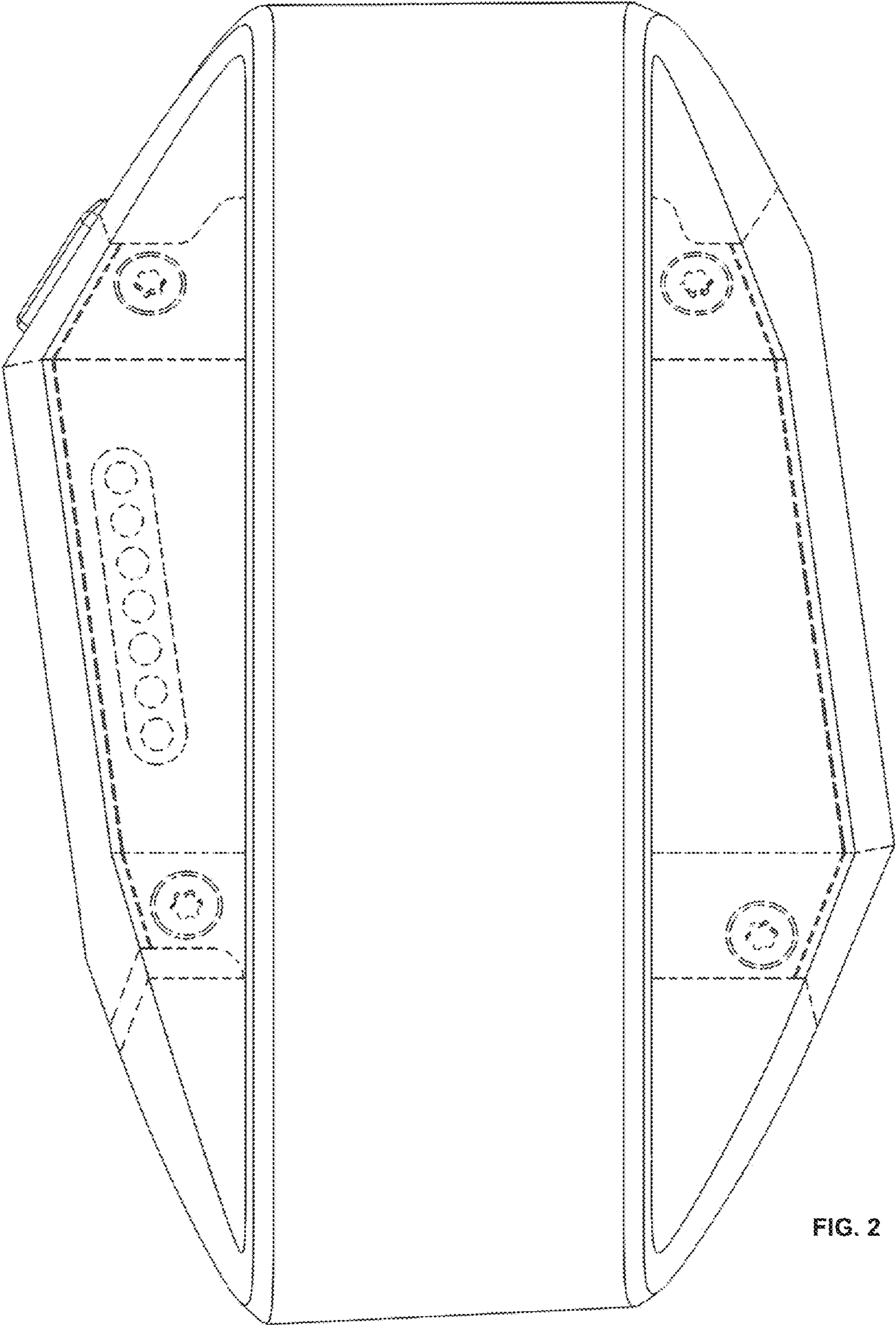


FIG. 2

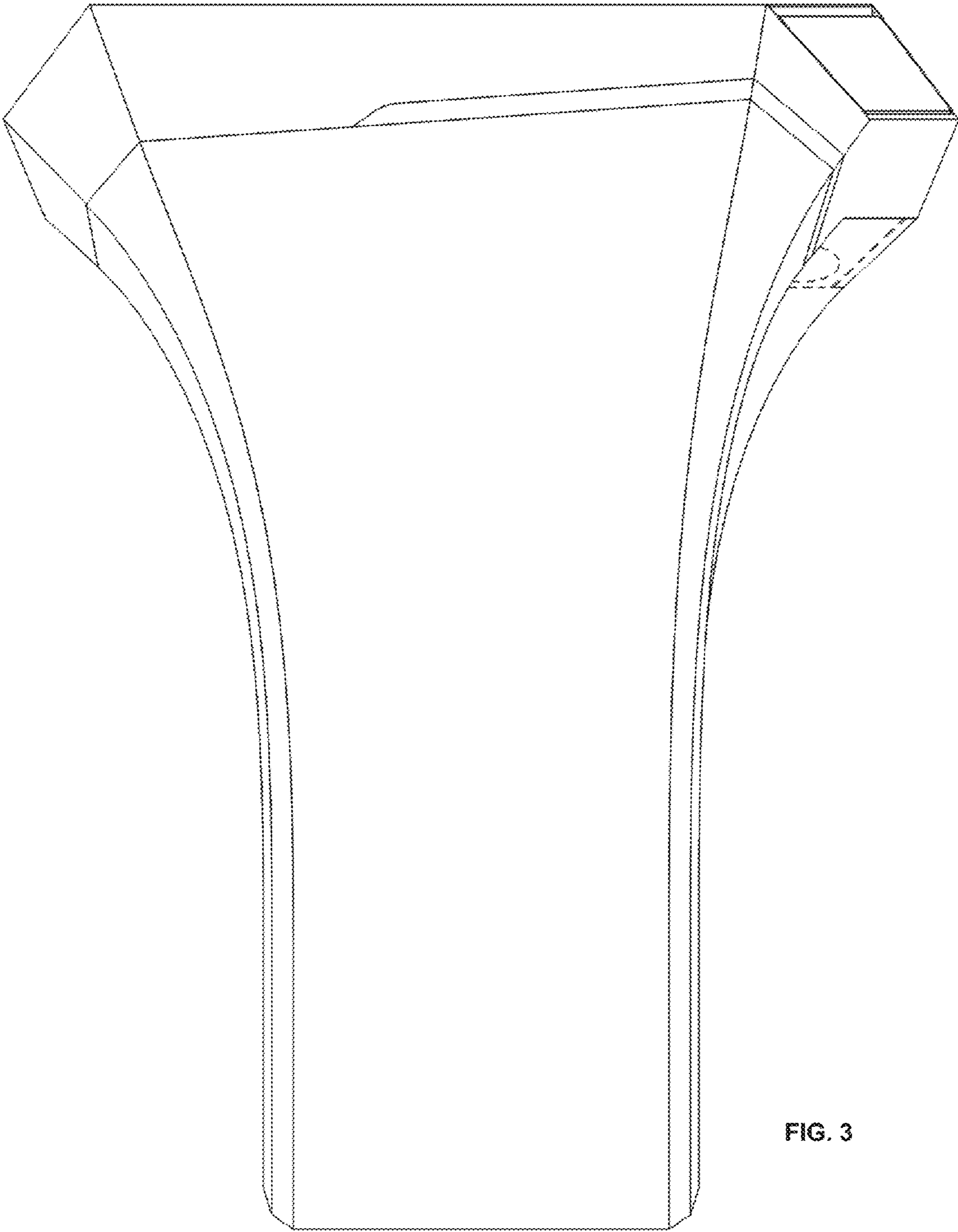


FIG. 3

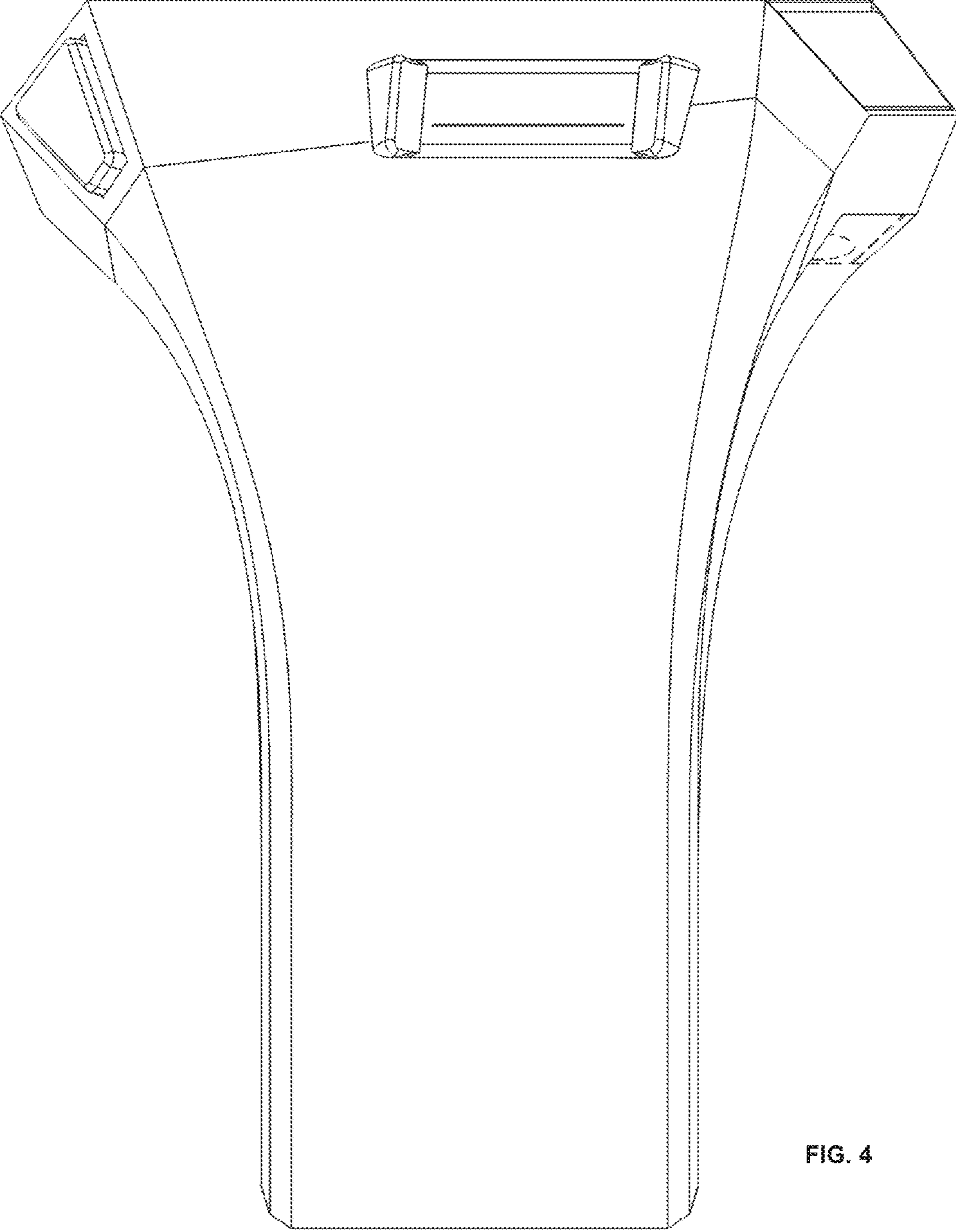


FIG. 4

FIG. 5

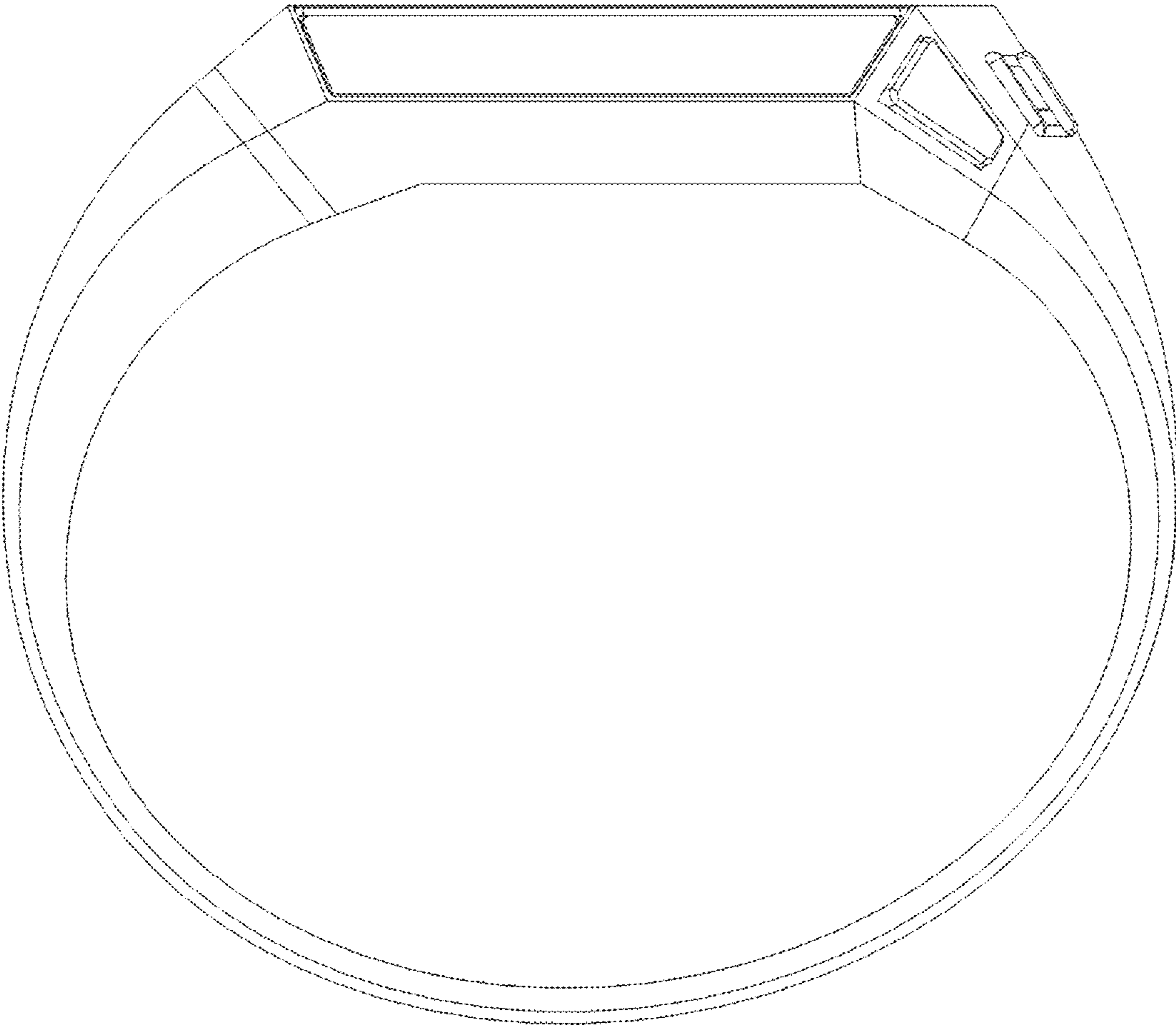


FIG. 6

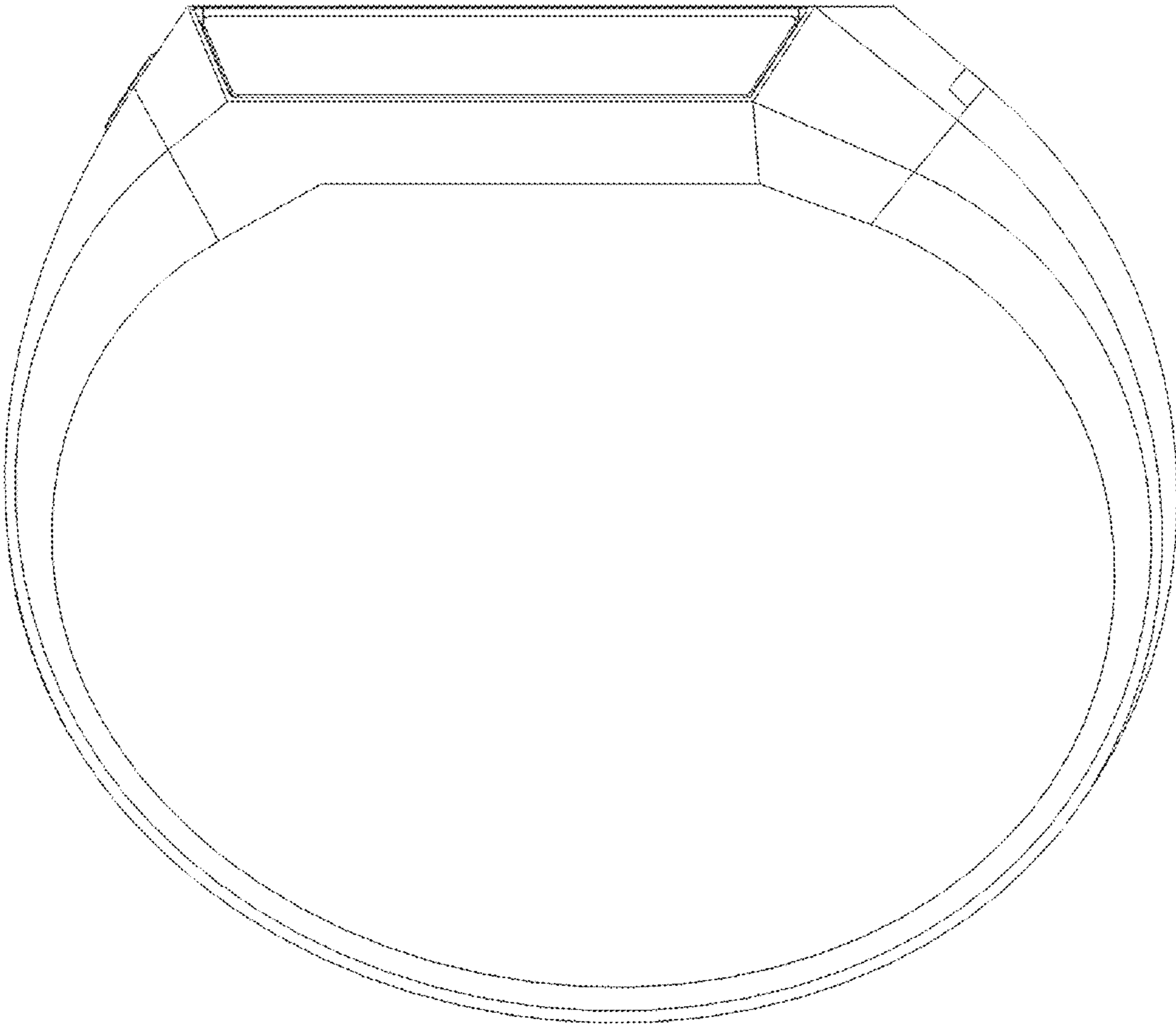
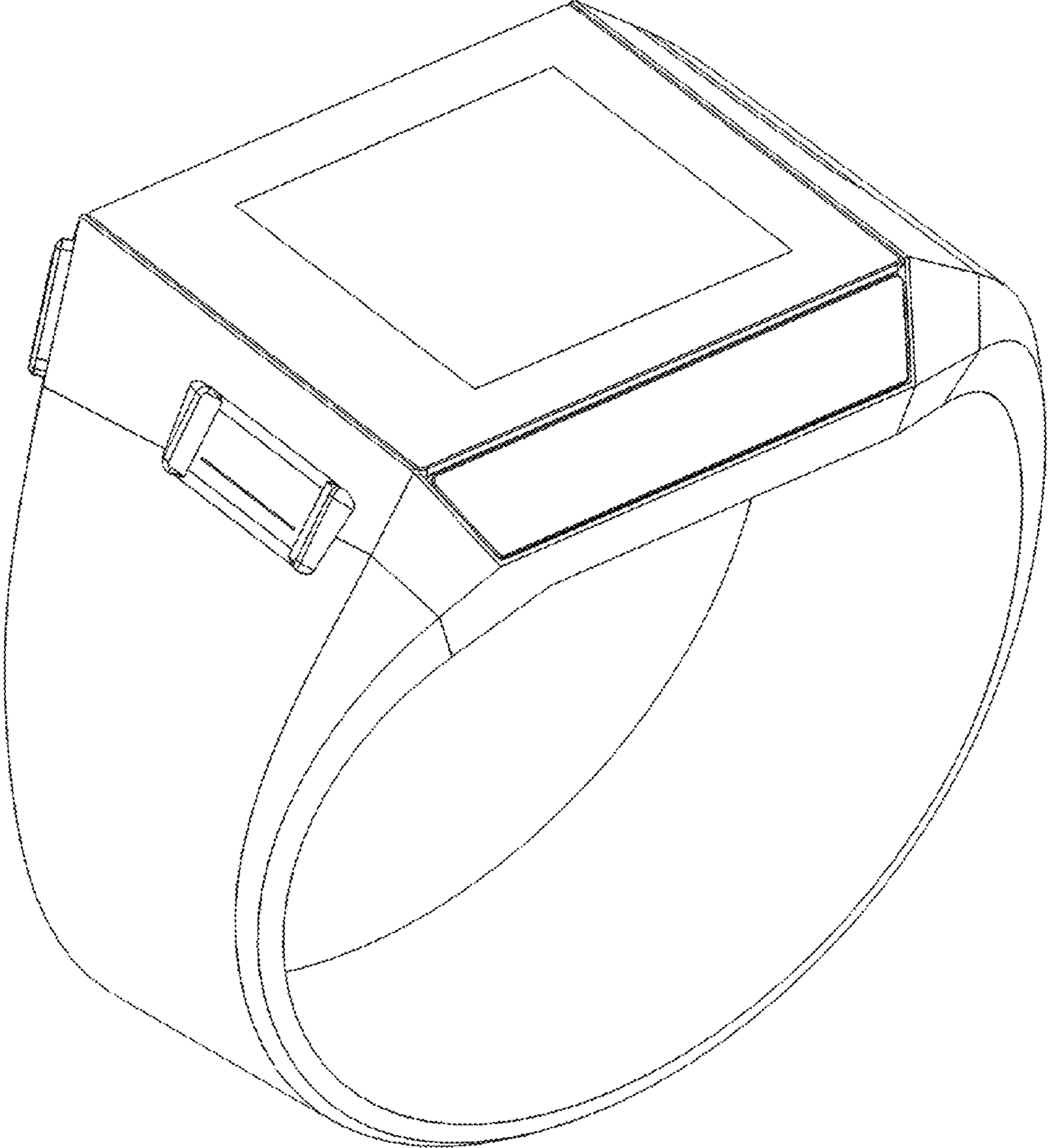


FIG. 7



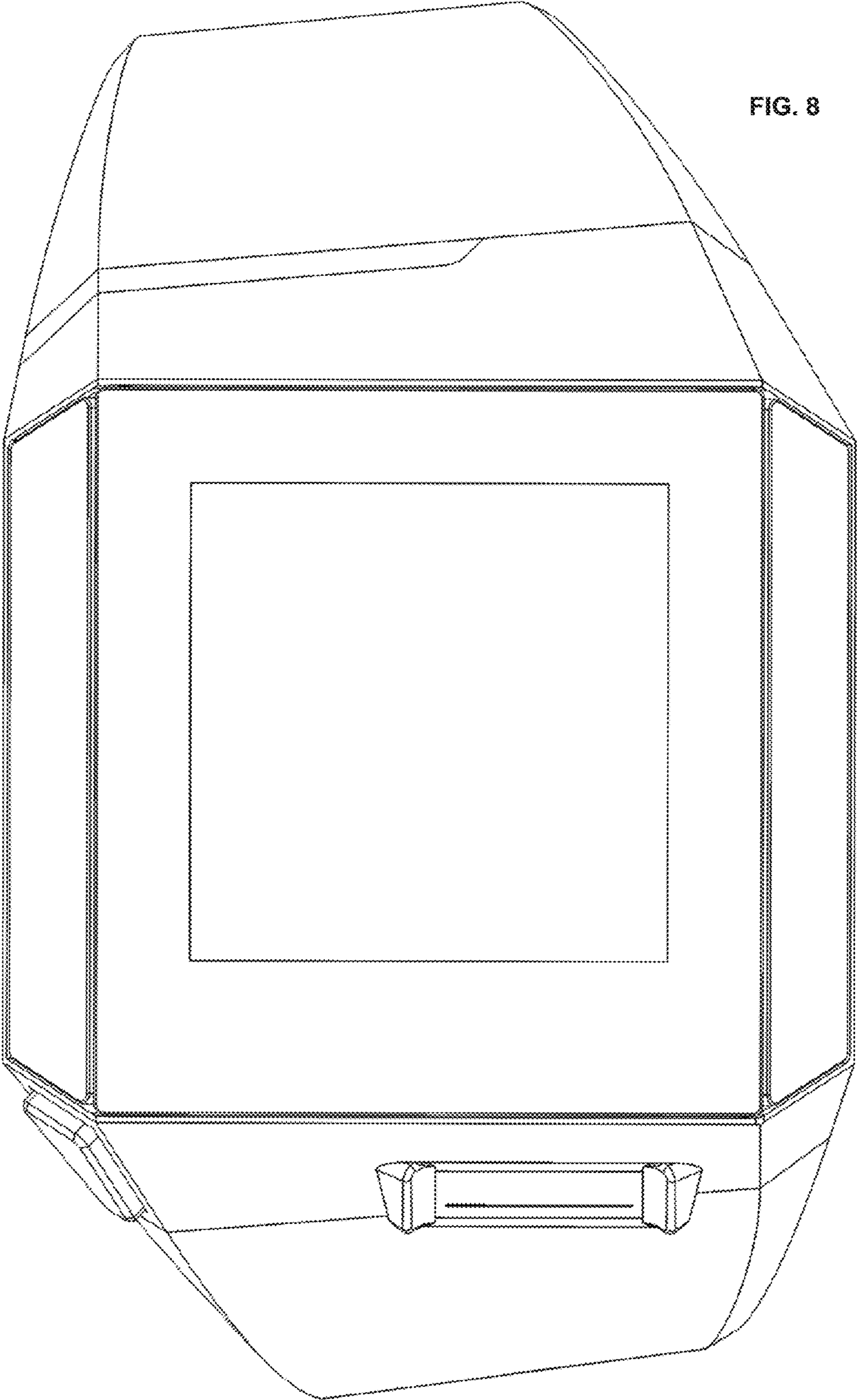


FIG. 8

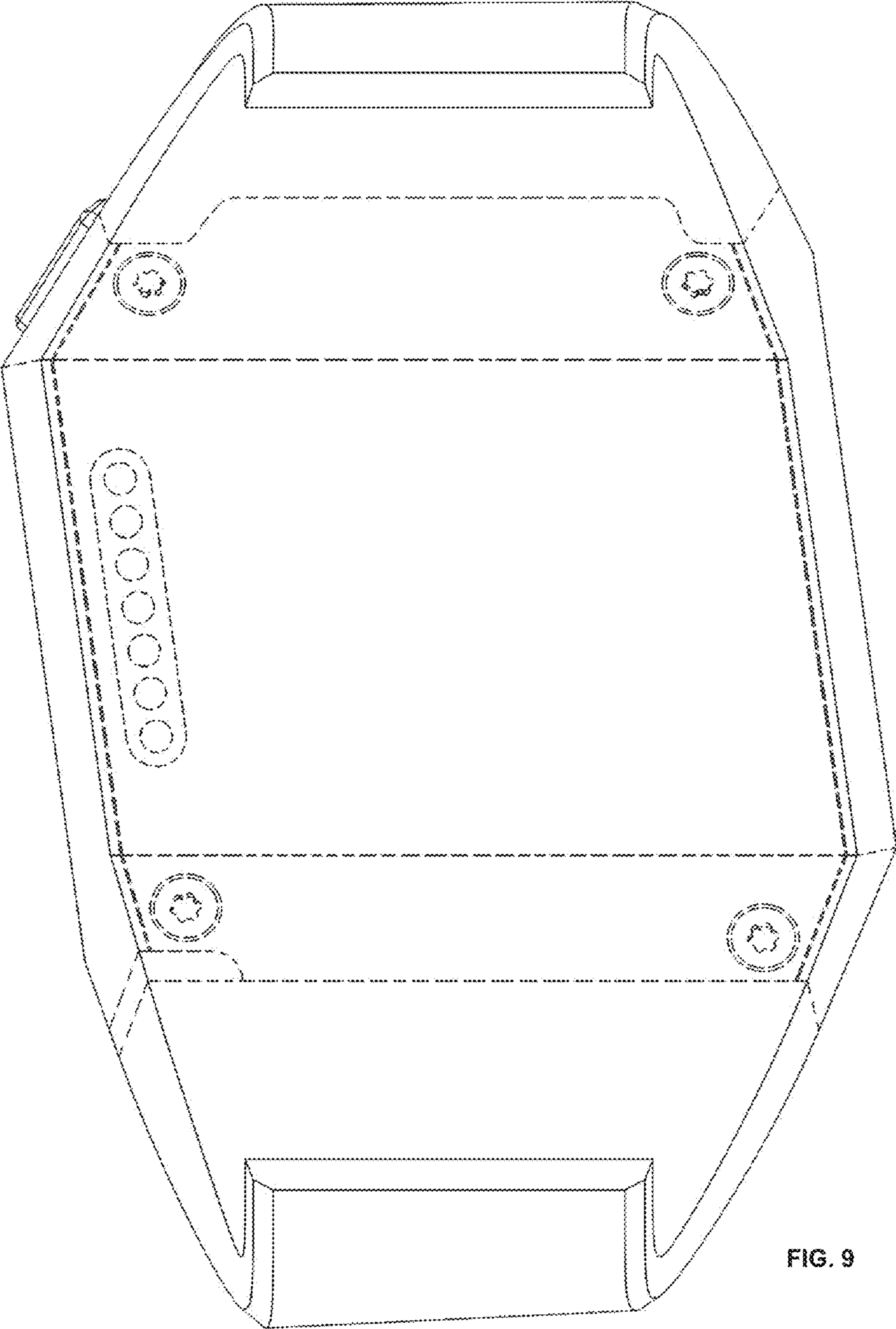


FIG. 9

FIG. 10

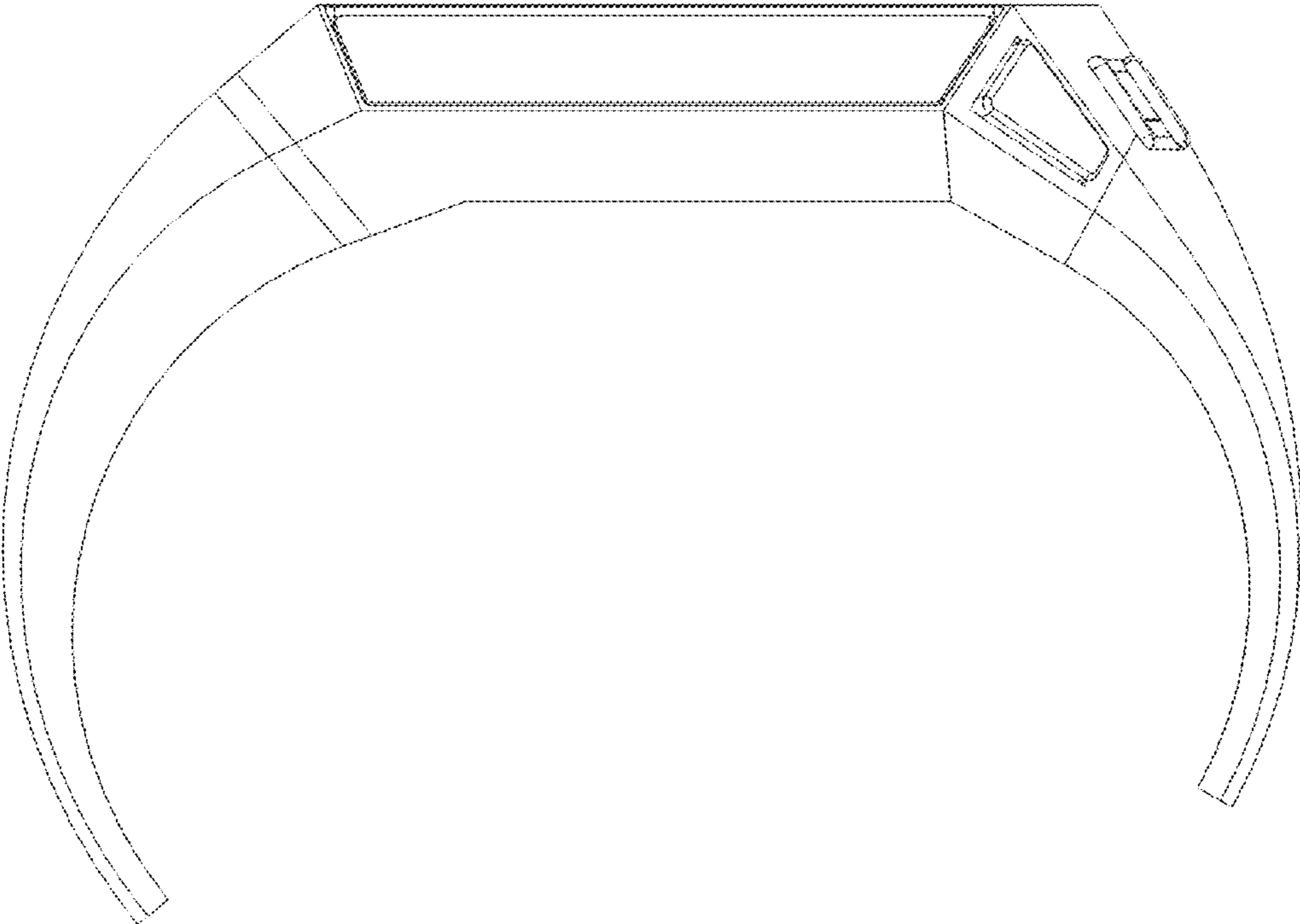
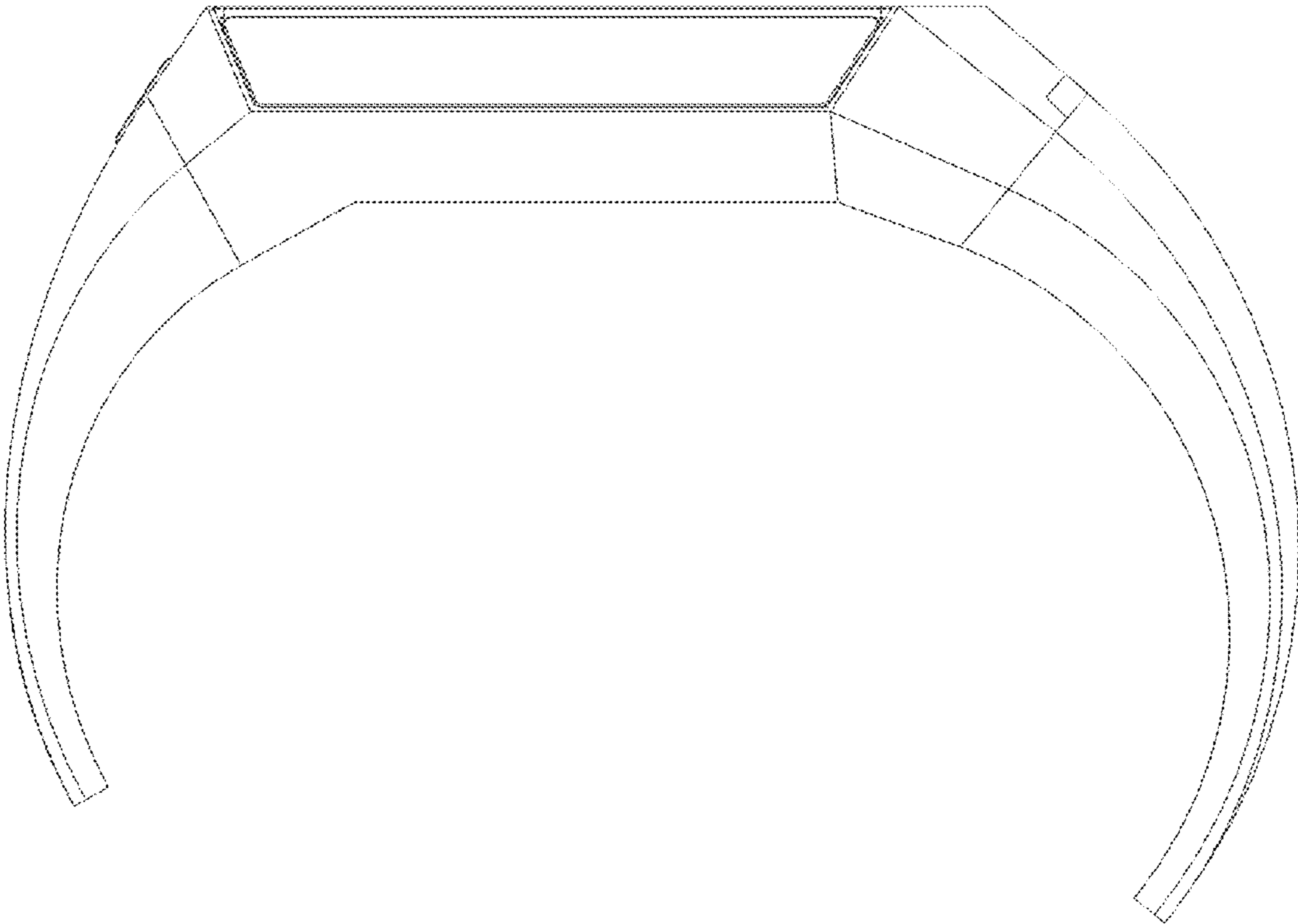


FIG. 11



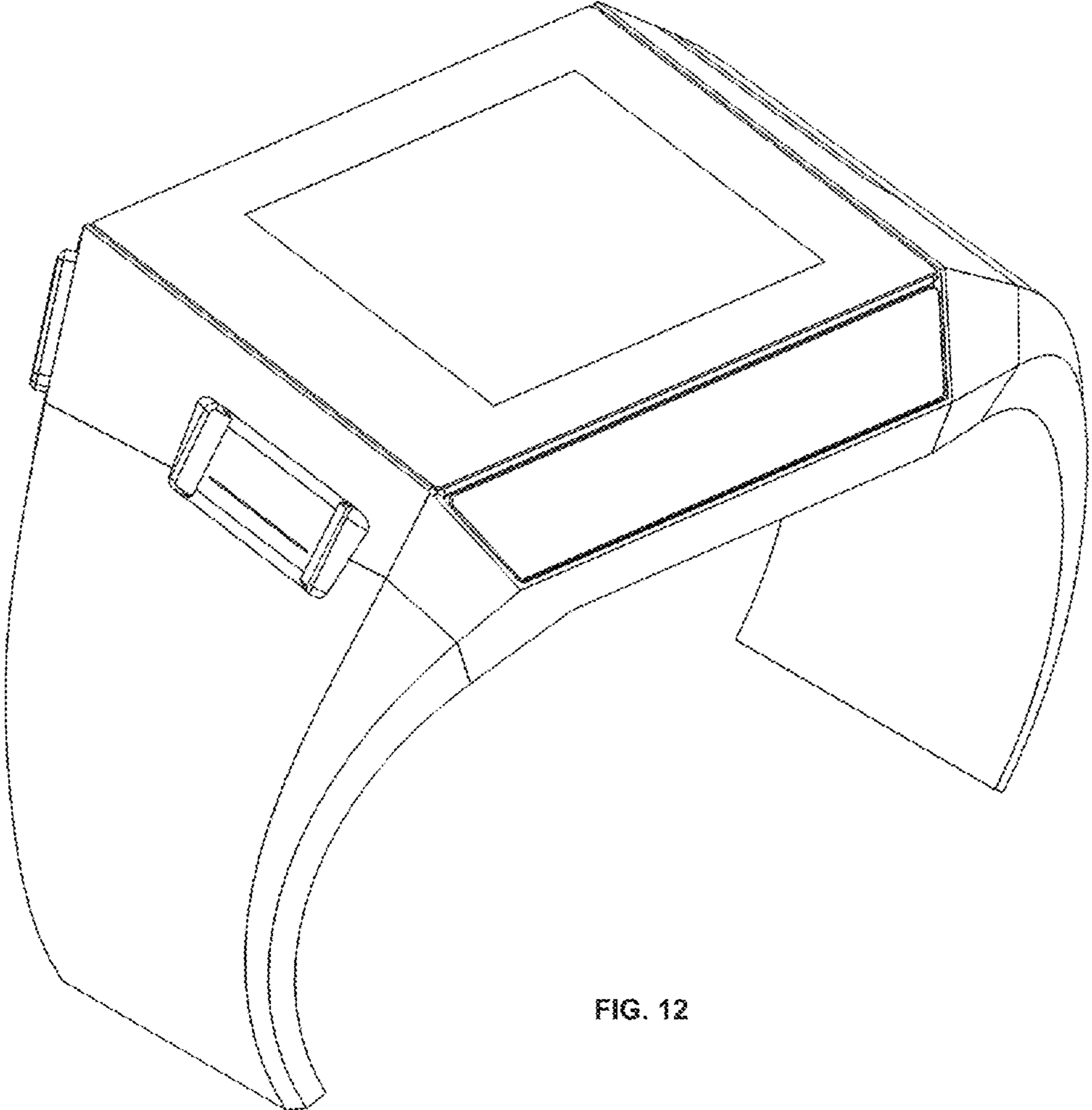


FIG. 12

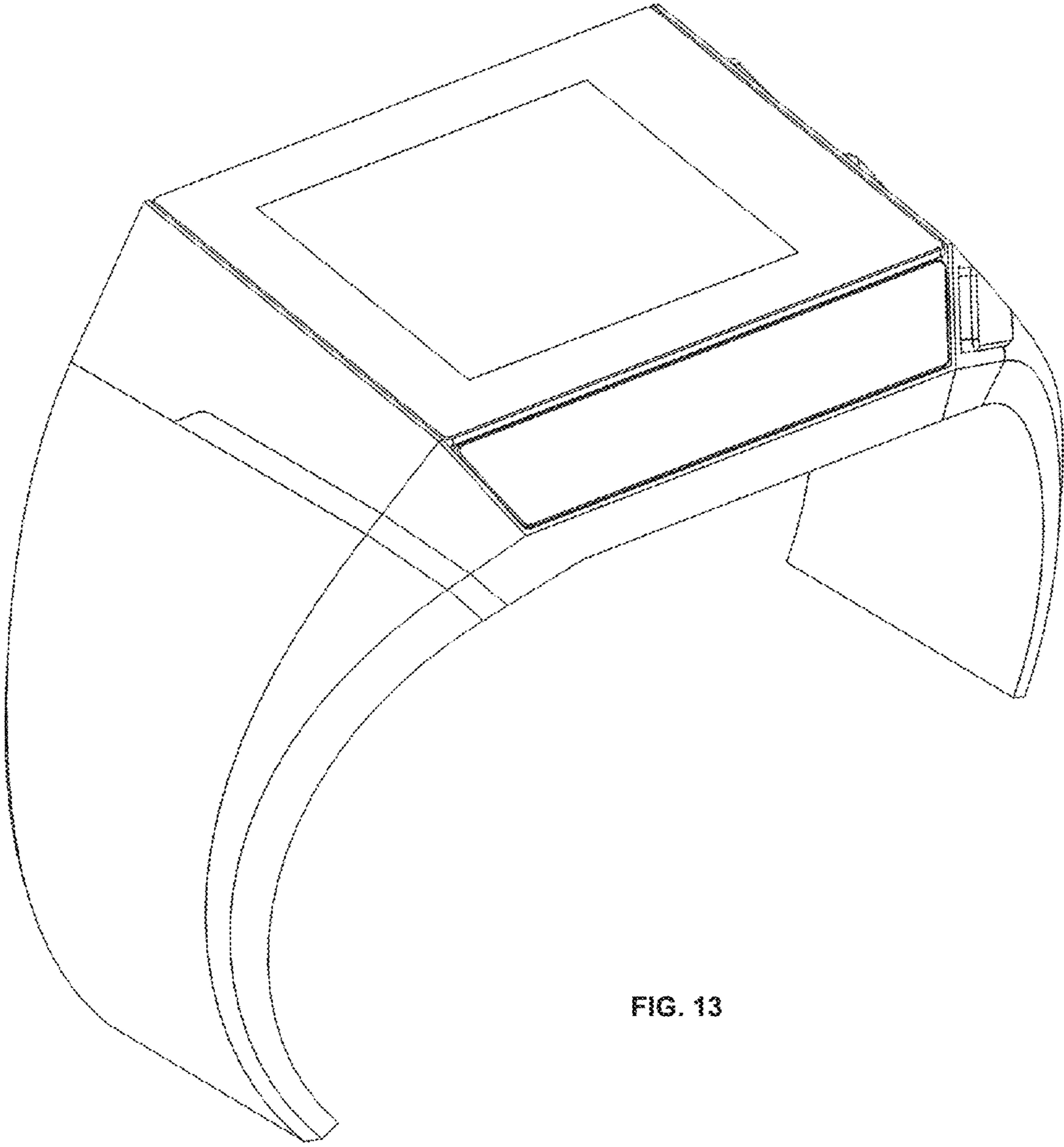


FIG. 13

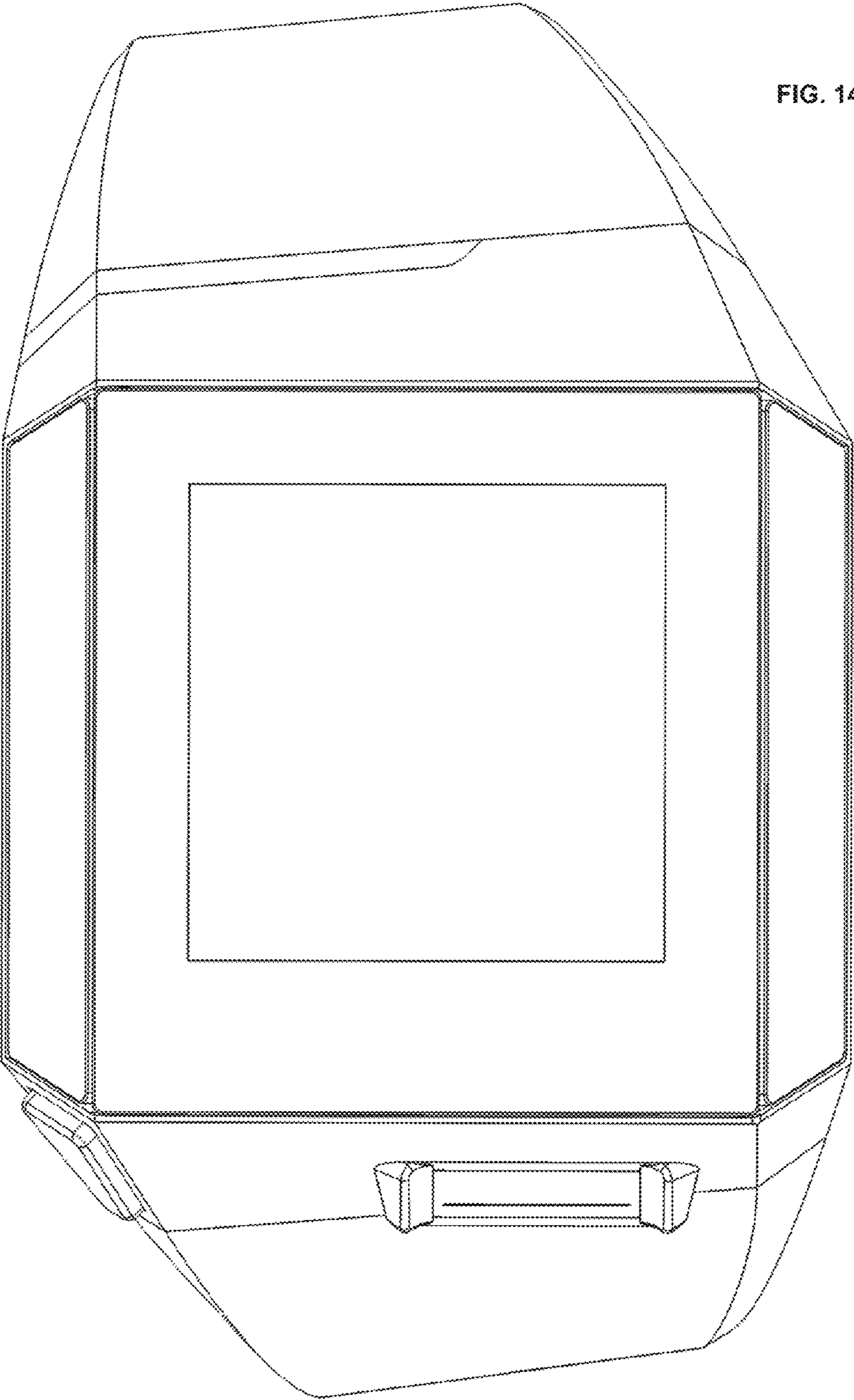


FIG. 14

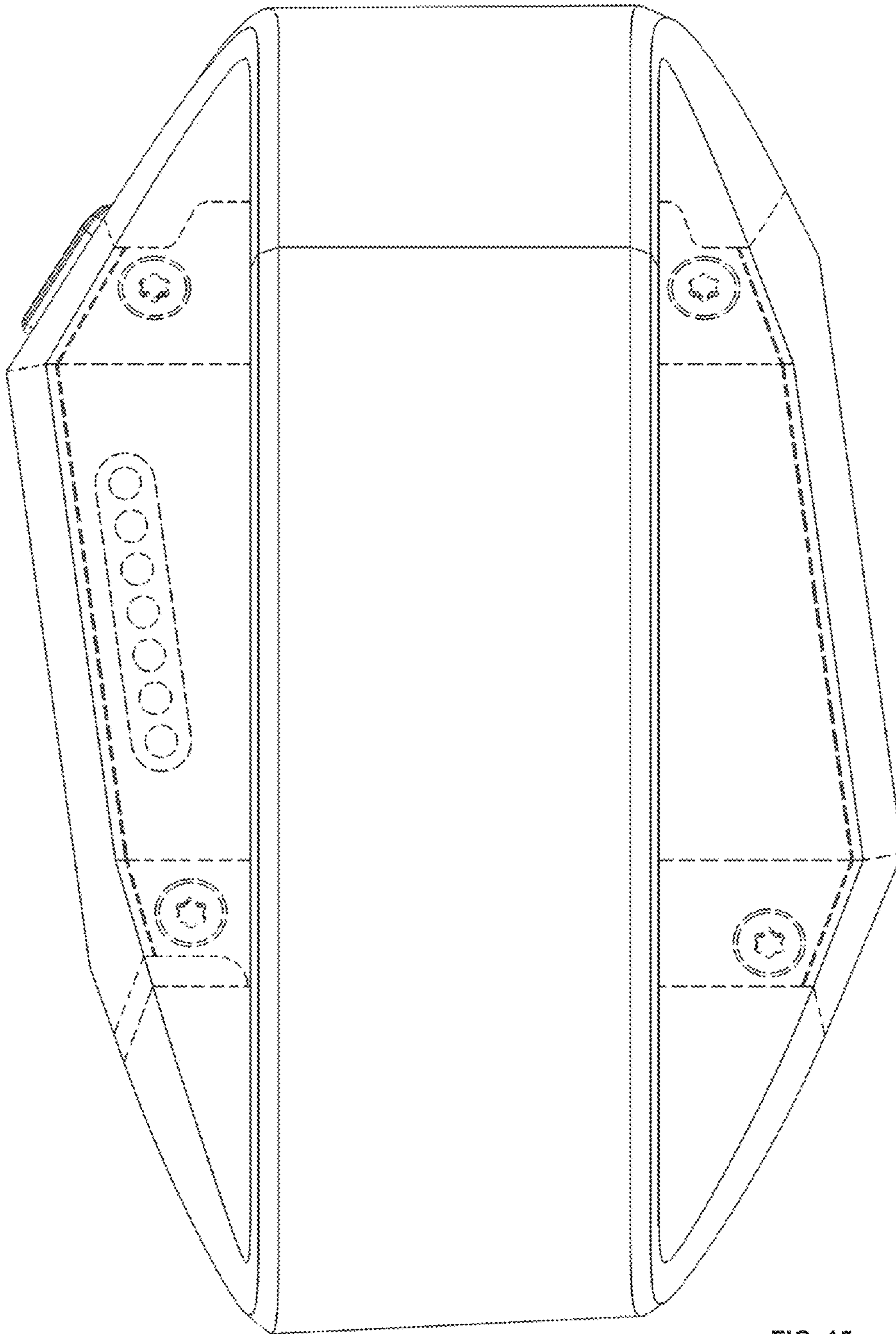


FIG. 15

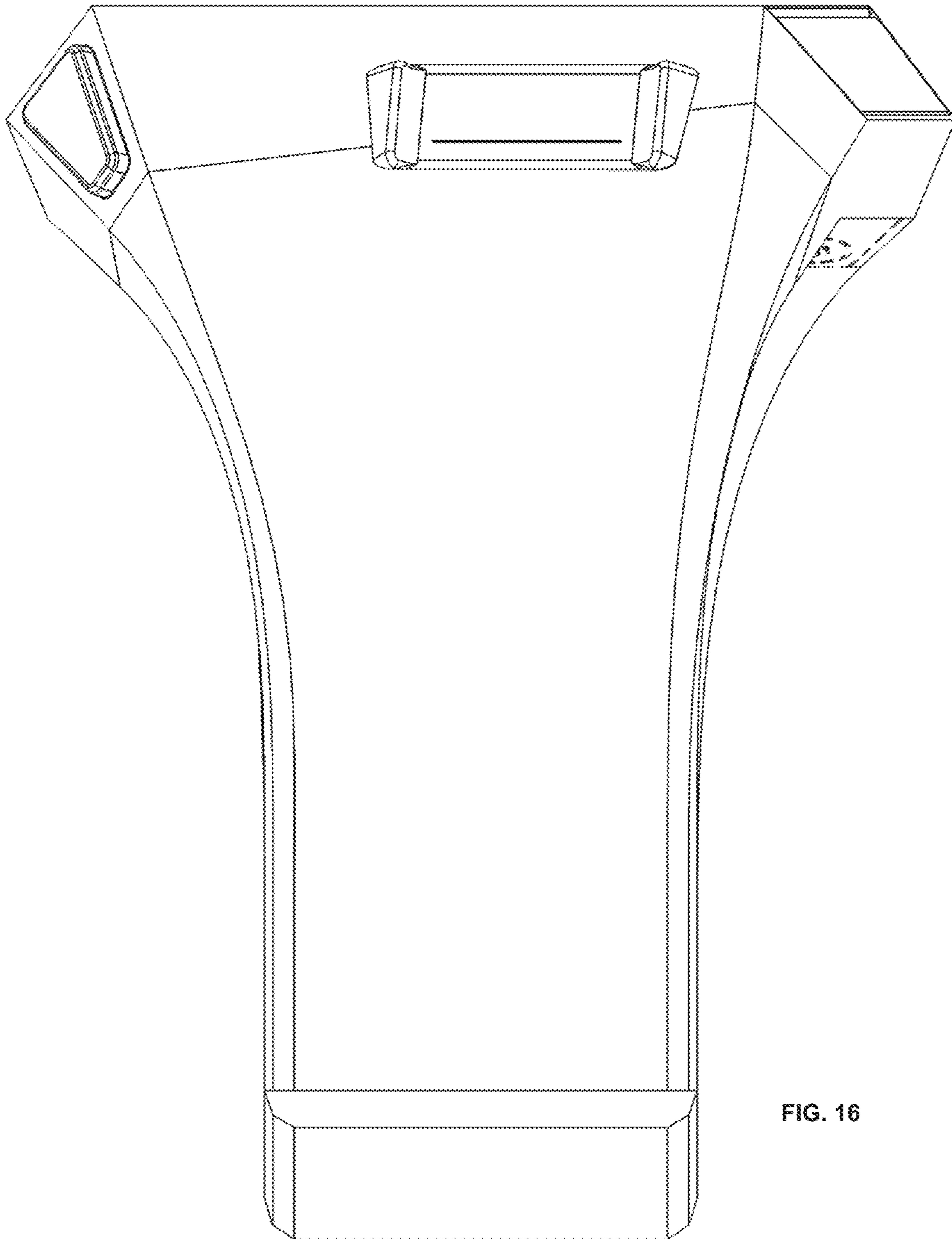


FIG. 16

FIG. 17

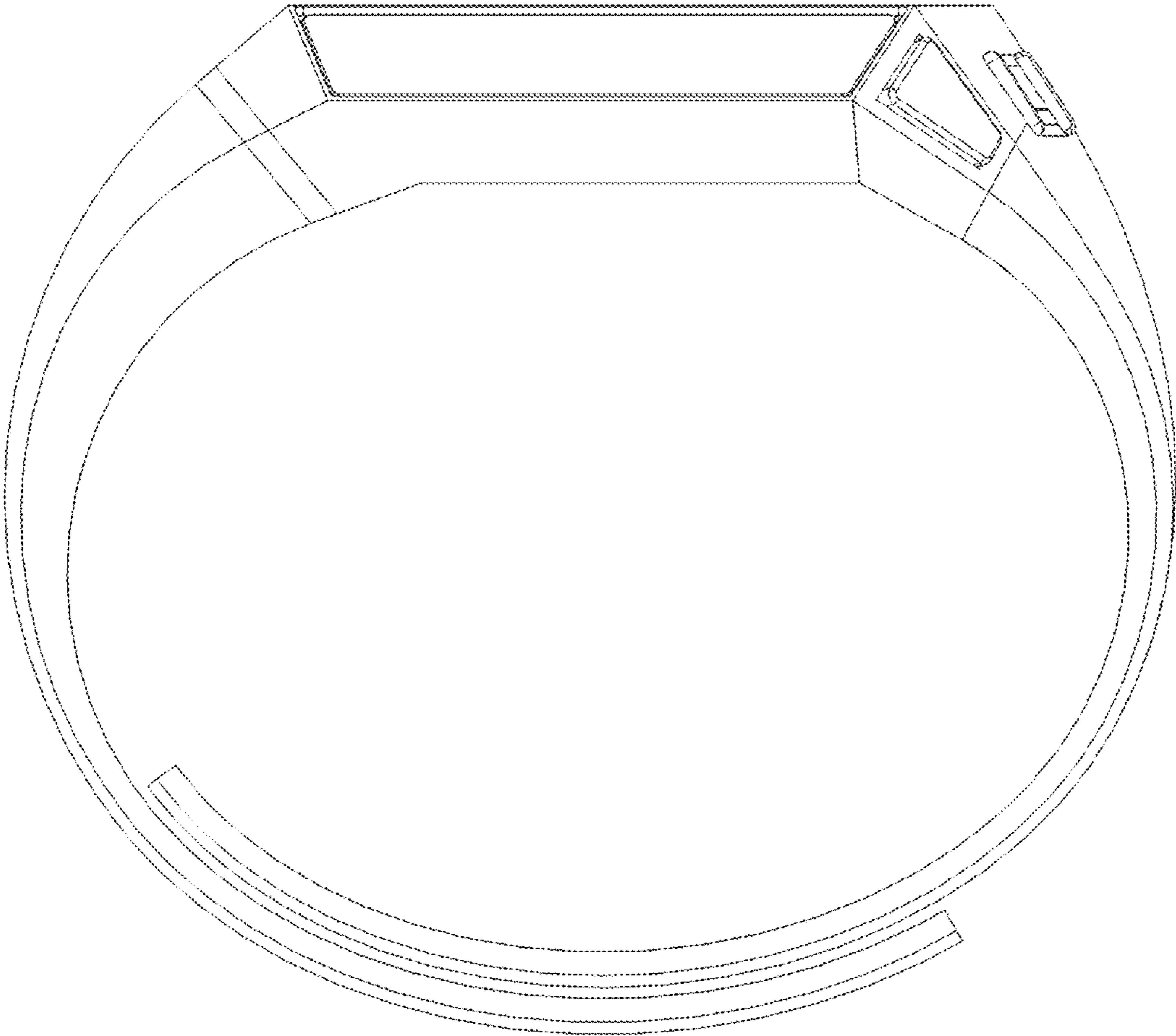


FIG. 18

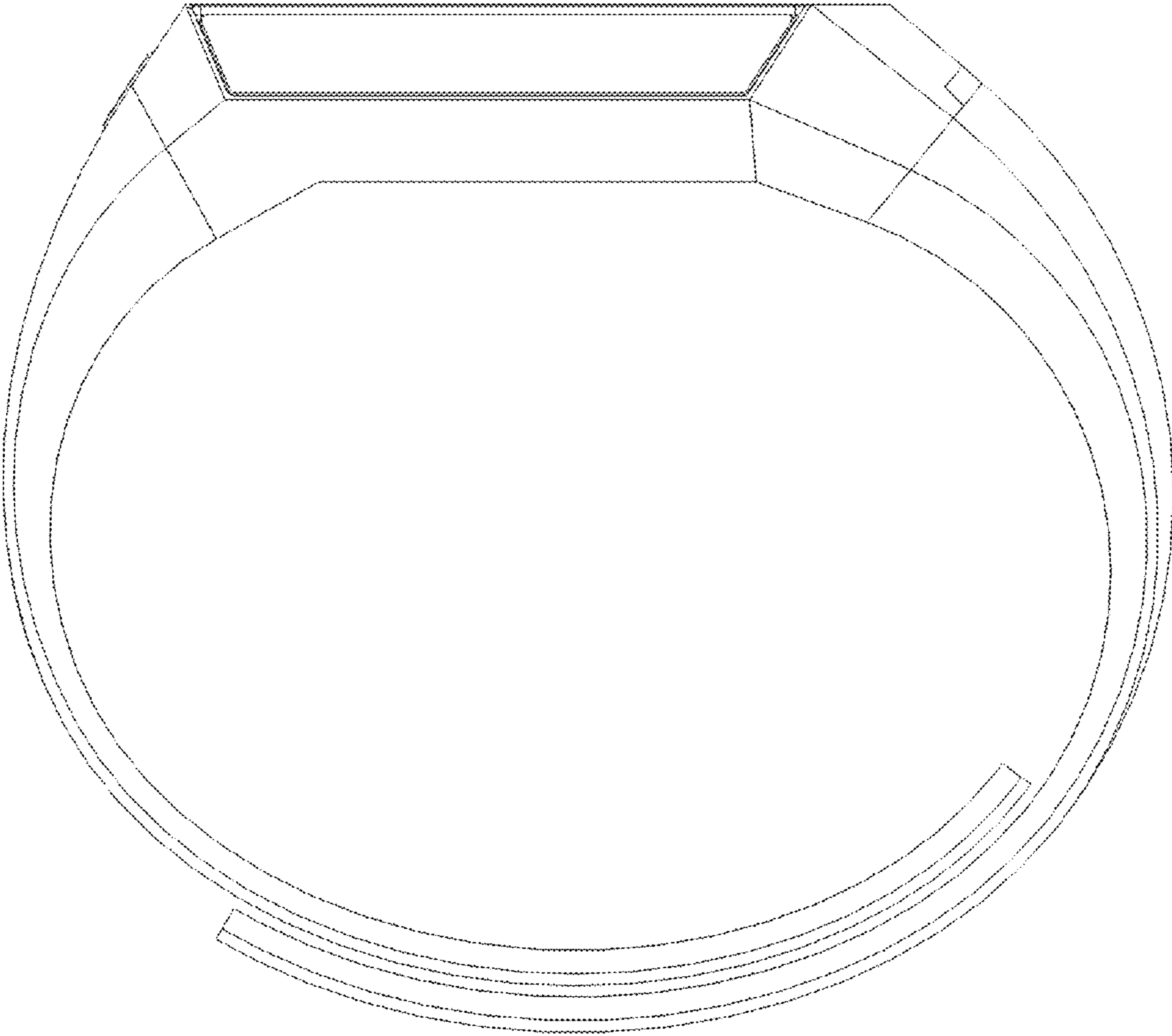


FIG. 19

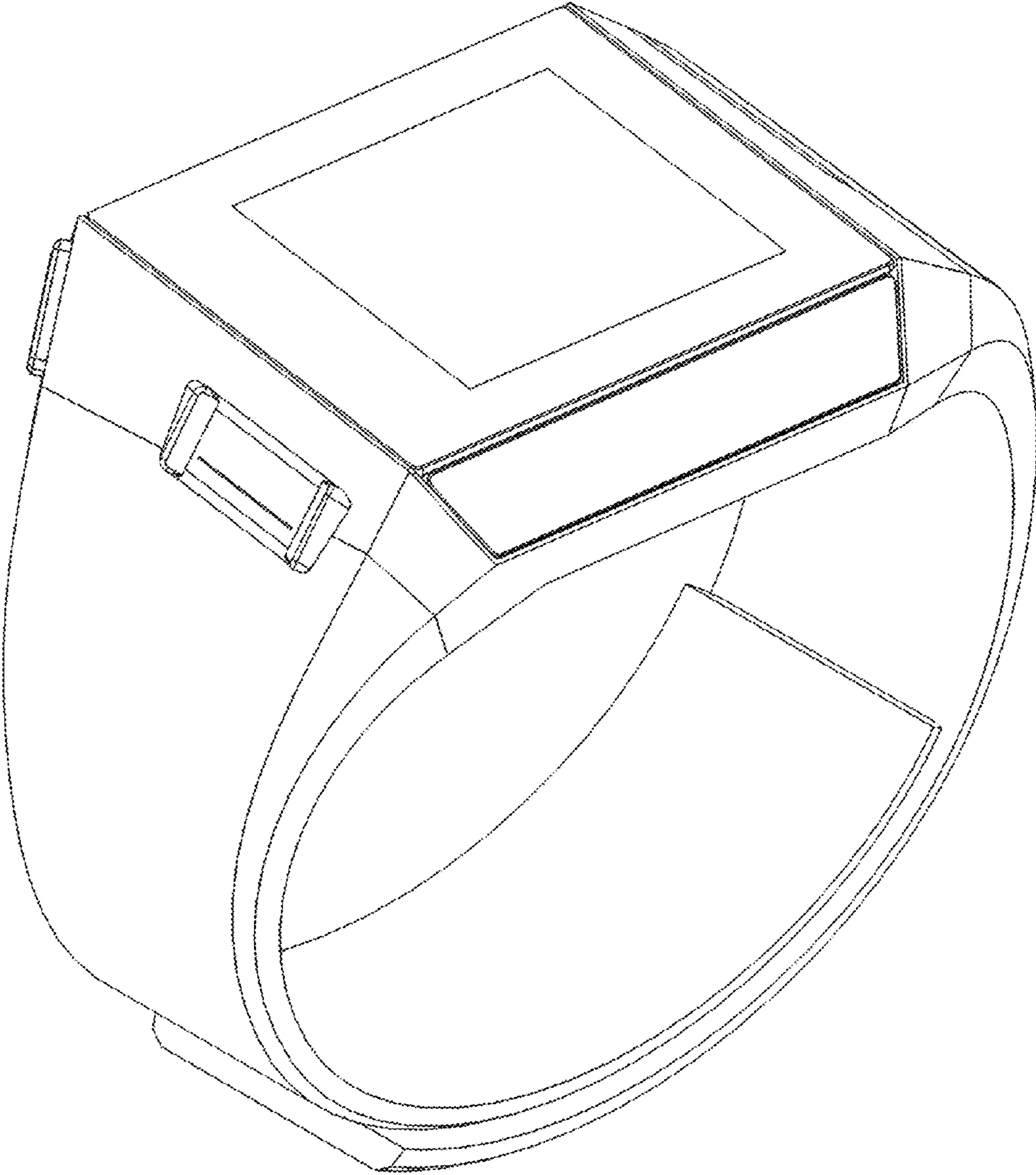
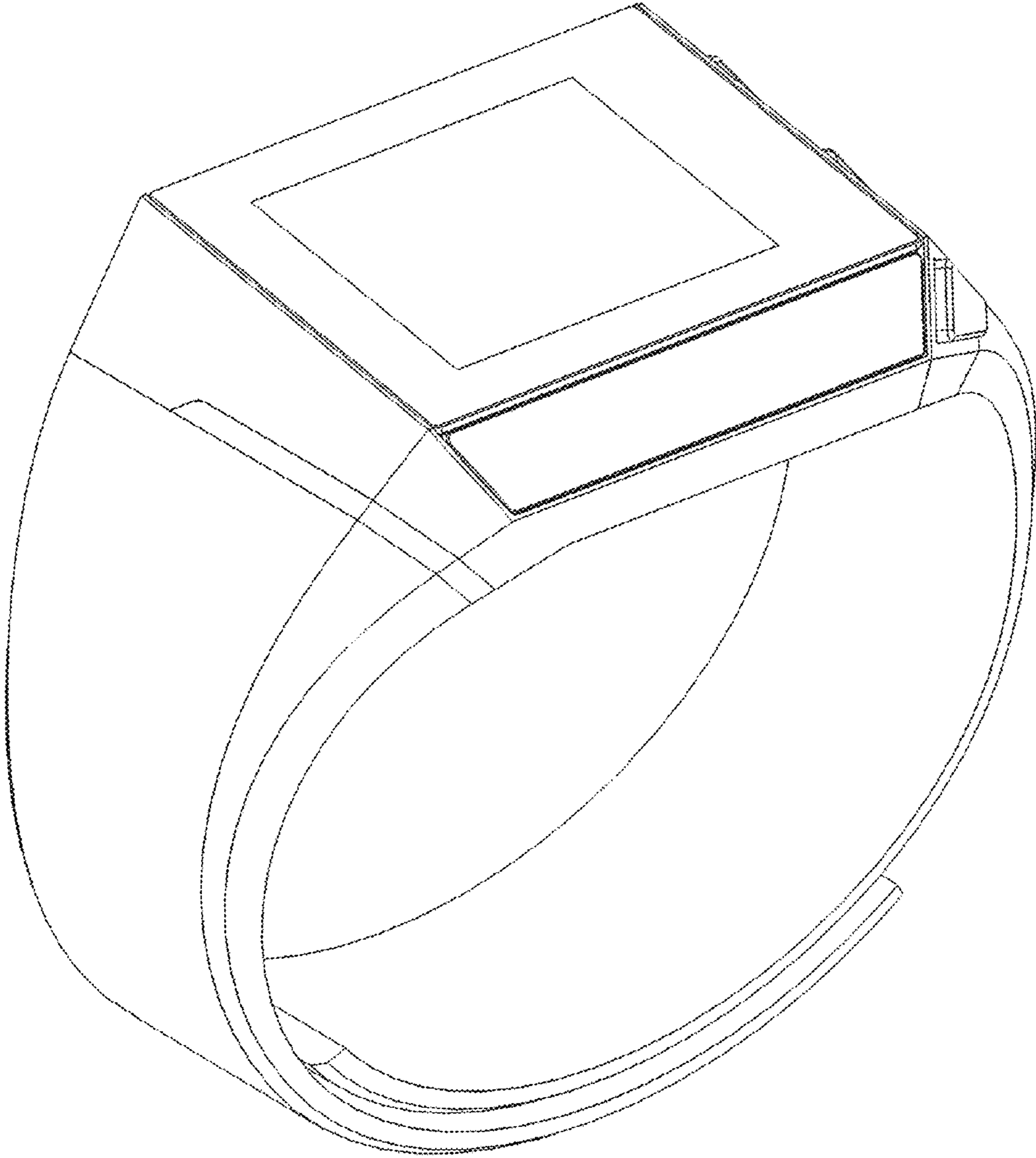


FIG. 20



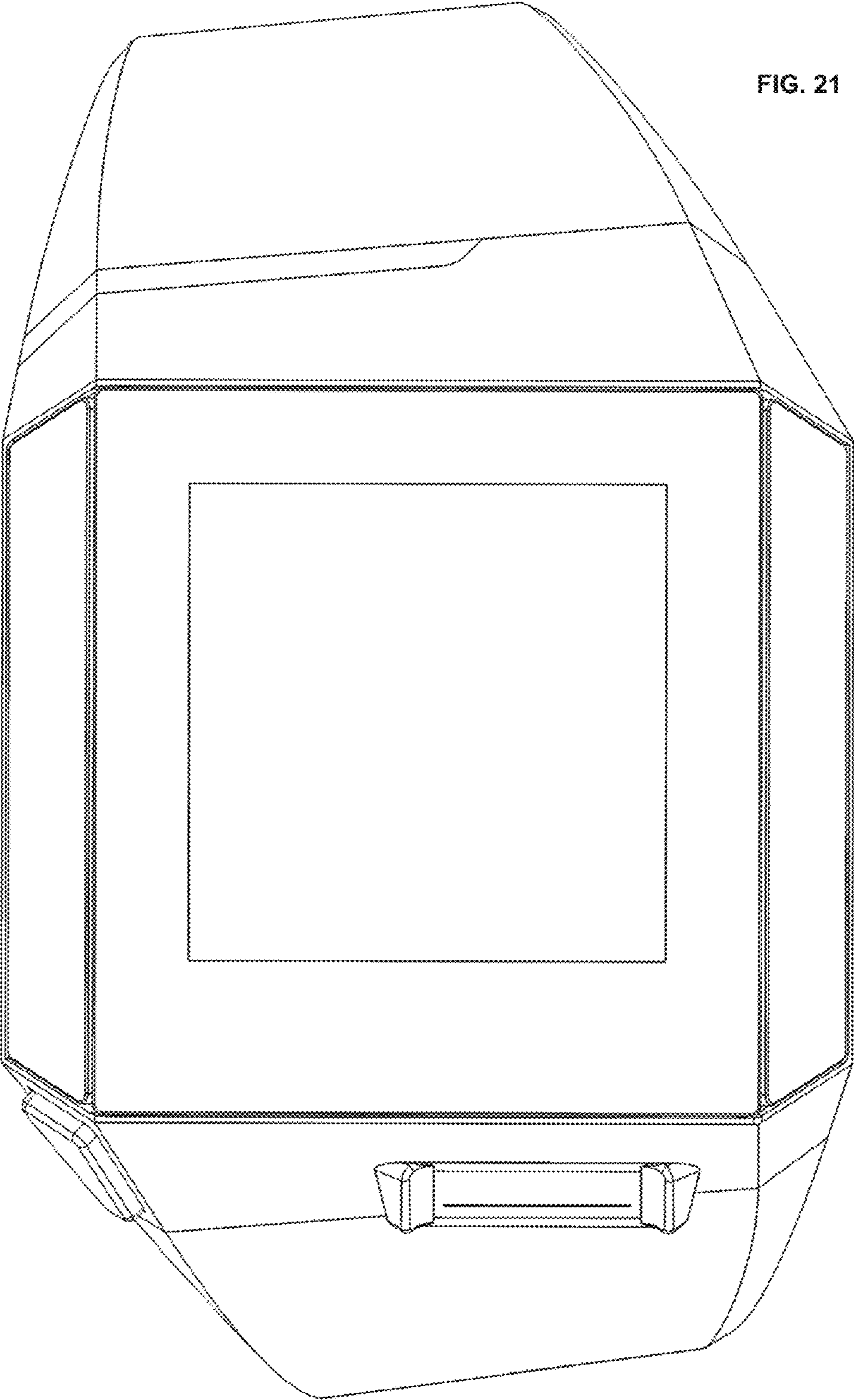


FIG. 21

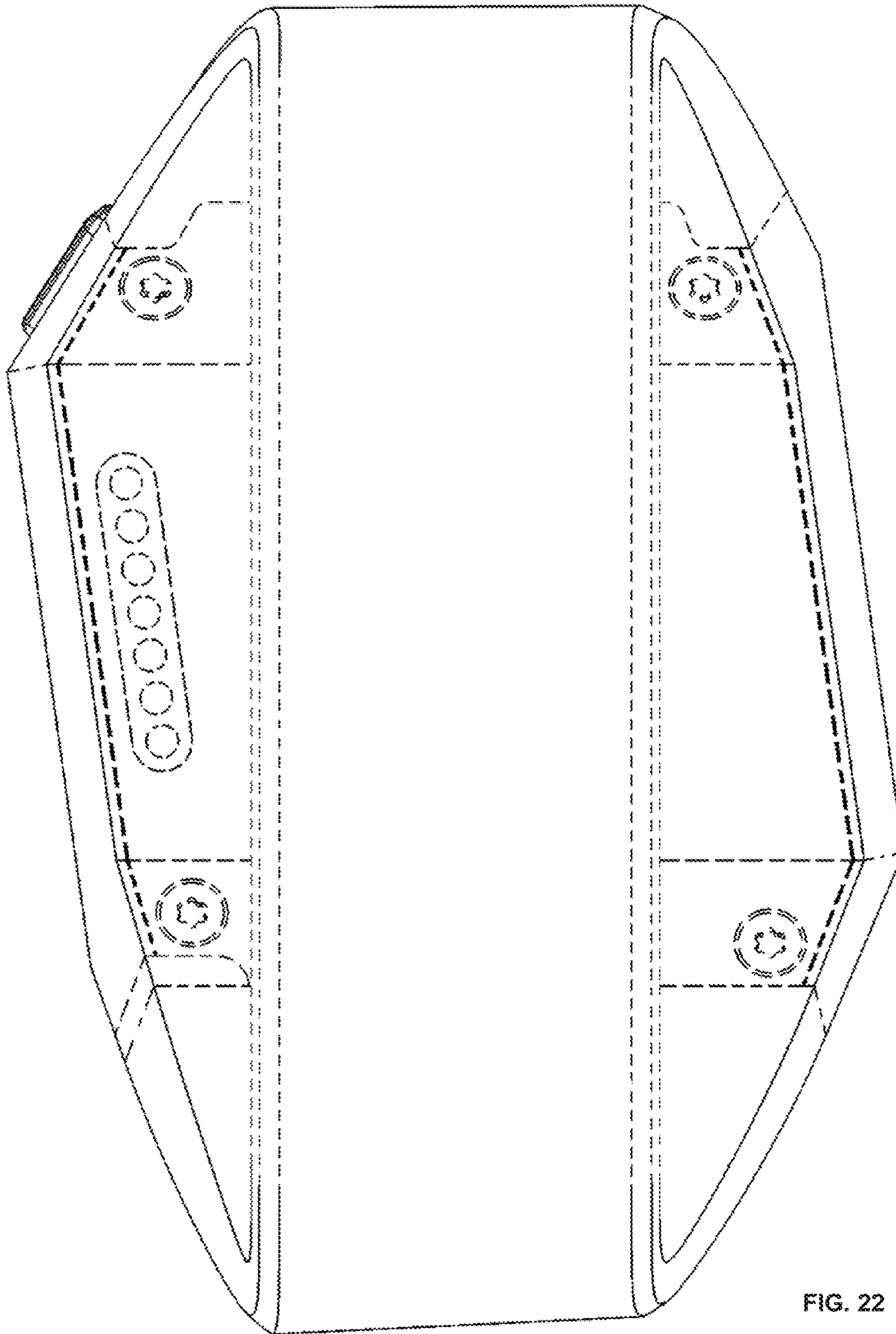


FIG. 22

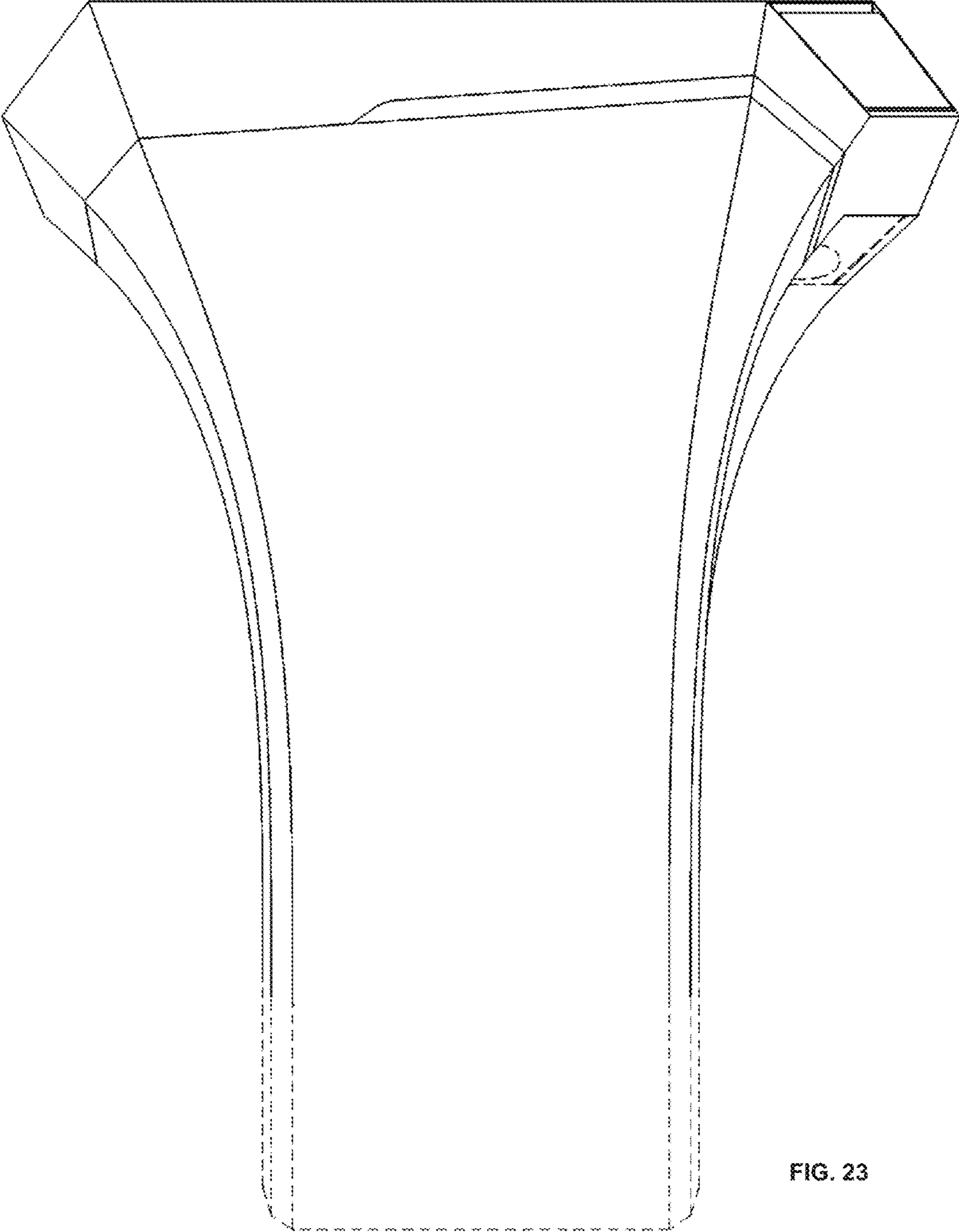


FIG. 23

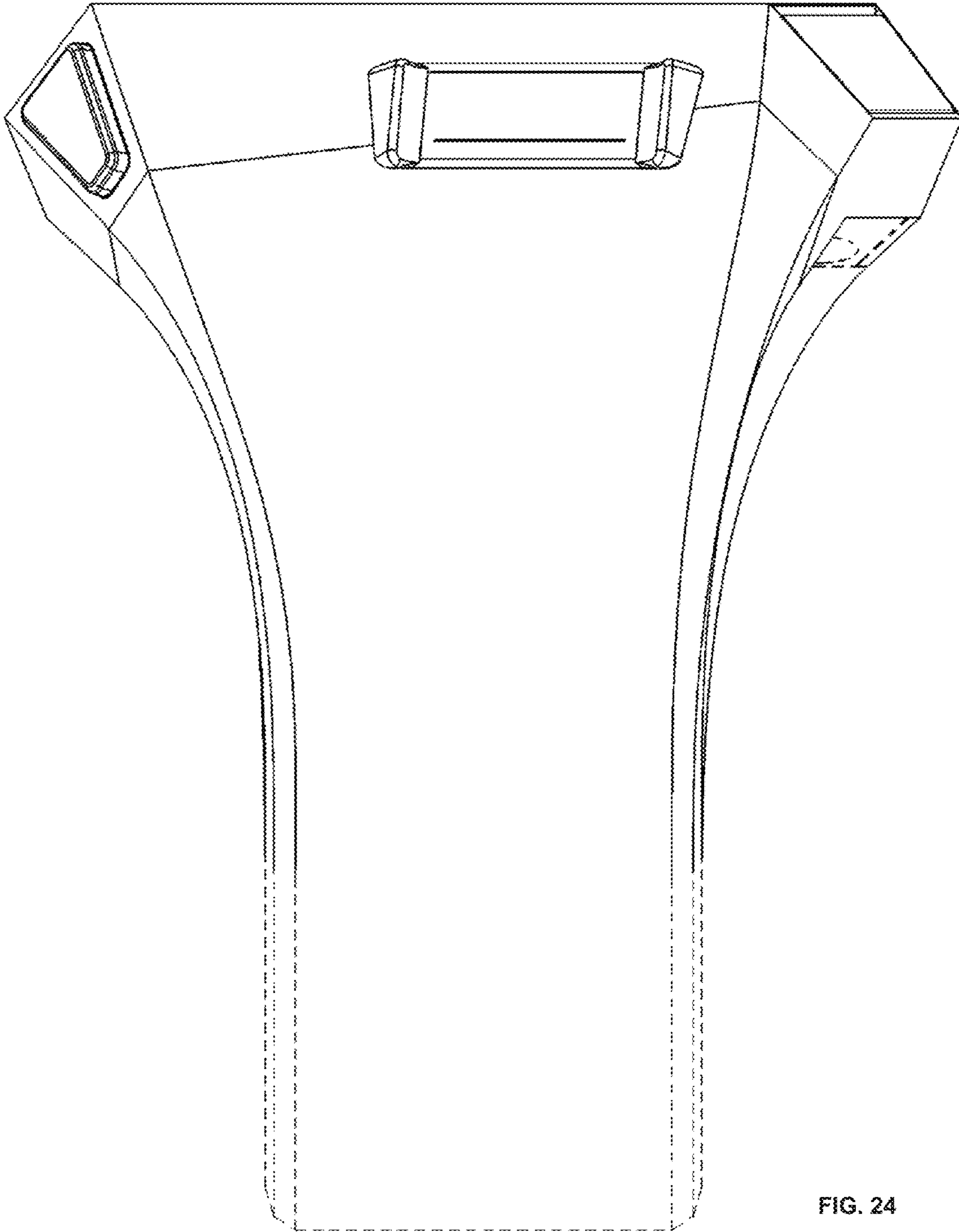


FIG. 24

FIG. 25

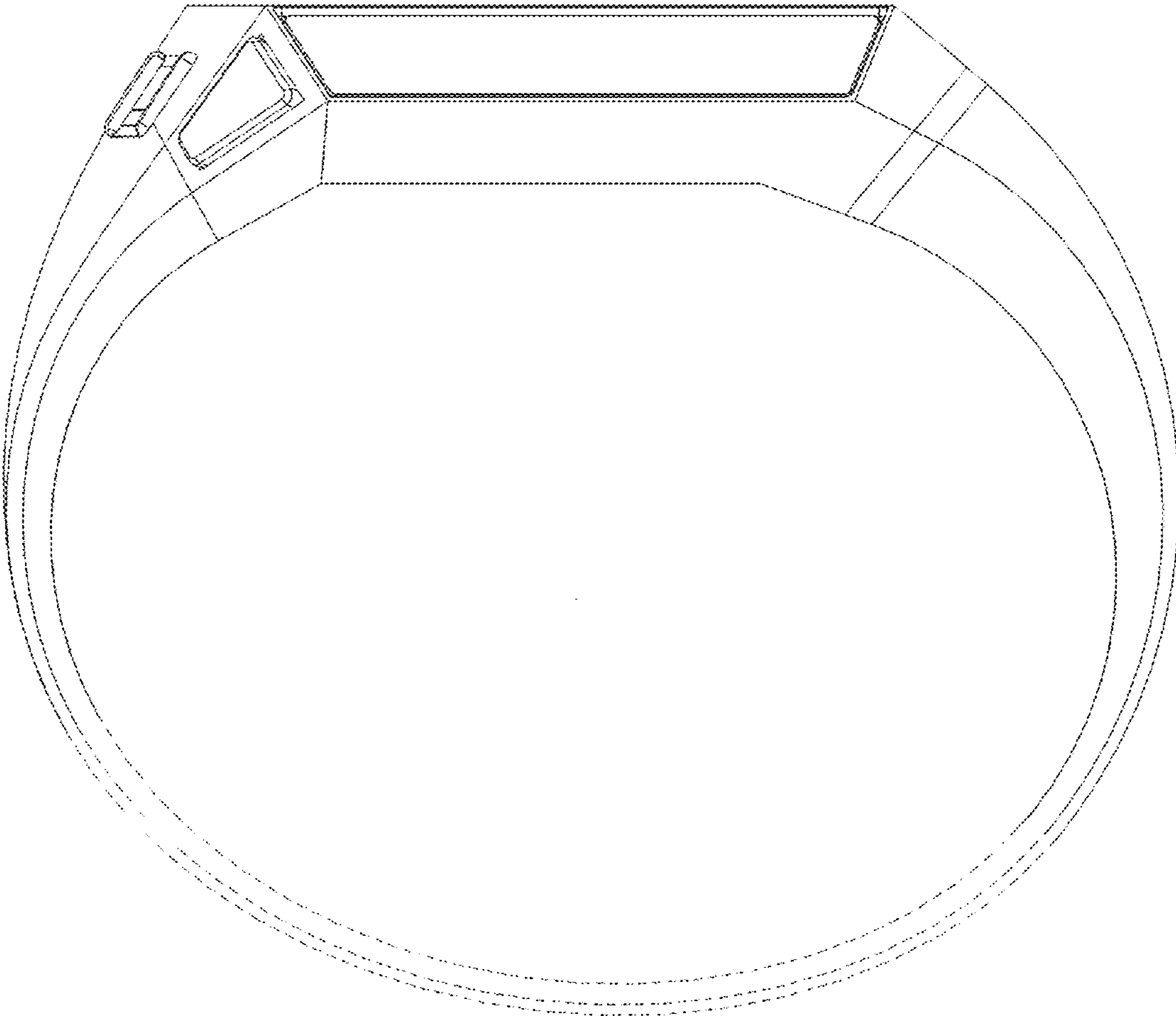


FIG. 26

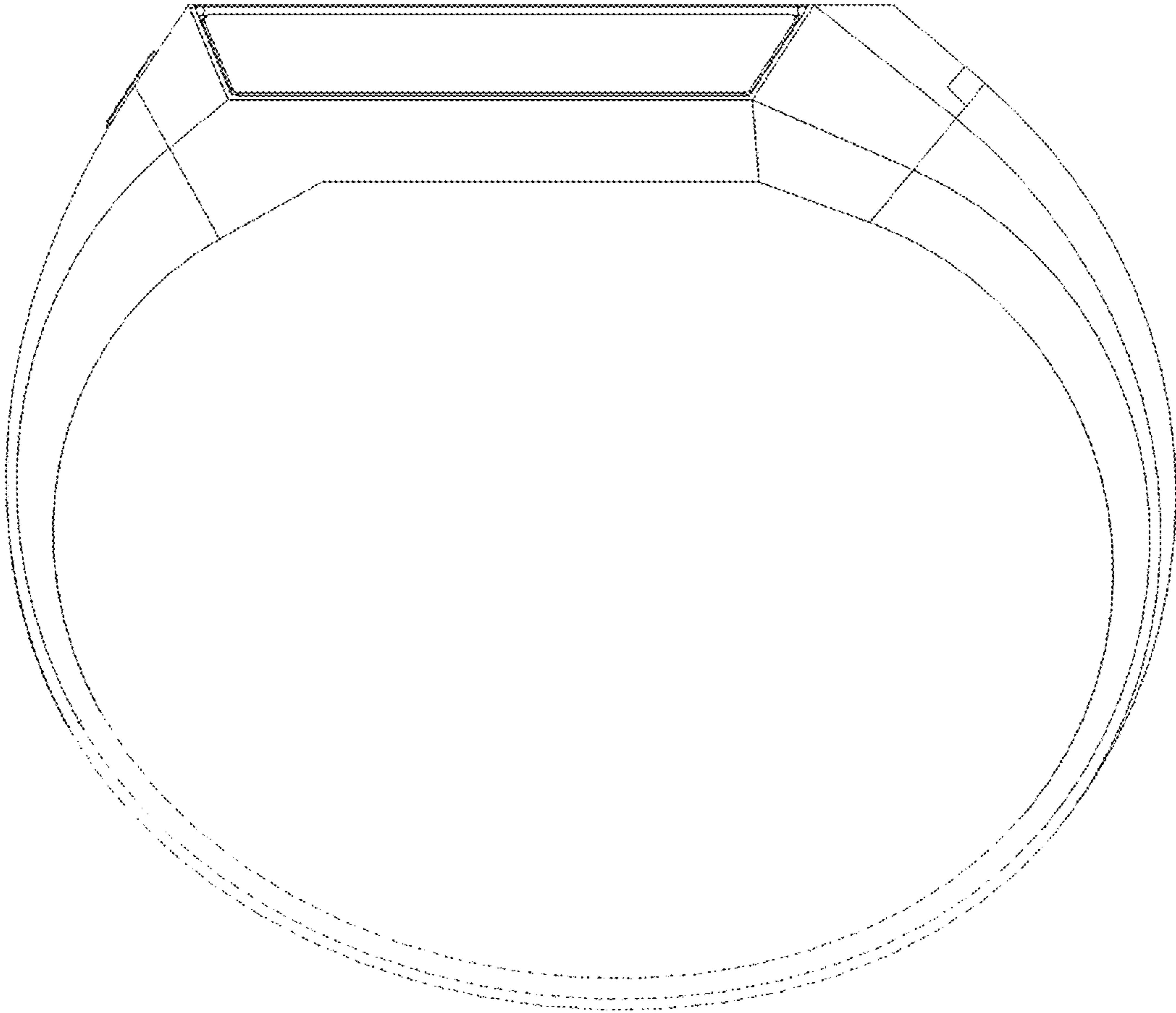


FIG. 27

