



US00D756241S

(12) **United States Design Patent**
Gabor et al.

(10) **Patent No.:** **US D756,241 S**
(45) **Date of Patent:** **** May 17, 2016**

(54) **WATCH**

(71) Applicant: **ARM IP LIMITED**, Cambridge (GB)

(72) Inventors: **Balint Gabor**, Szentendre (HU); **Sojtory Szabolcs**, Budapest (HU); **Steven James Ogborne**, Cambridge (GB); **Hugo John Martin Vincent**, Mariners Way (GB); **Krisztian Flautner**, Ann Arbor, MI (US)

(73) Assignee: **ARM IP LIMITED**, Cambridge (GB)

(**) Term: **14 Years**

(21) Appl. No.: **29/482,477**

(22) Filed: **Feb. 19, 2014**

(30) **Foreign Application Priority Data**

Aug. 19, 2013 (EM) 002293118

(51) **LOC (10) Cl.** **10-02**

(52) **U.S. Cl.**
USPC **D10/32; D14/344**

(58) **Field of Classification Search**
USPC D10/30-39, 1-29, 122-132; D11/3; D14/344, 138 R
CPC G04B 37/00; G04B 37/0008; G04C 3/00; G04C 3/001; G04C 3/002; G04G 9/00; G04G 9/0017; G04G 9/0058; G04G 9/04; G04G 9/06; G04G 9/107; G04G 17/00; G04G 17/005; G04G 17/08

See application file for complete search history.

(56) **References Cited**

U.S. PATENT DOCUMENTS

3,672,155 A * 6/1972 Bergey et al. 368/159
D404,316 S * 1/1999 Azegami et al. D10/30

D452,170 S * 12/2001 Tomimatsu D10/30
D463,750 S * 10/2002 Tomimatsu D10/128
D488,391 S * 4/2004 Kume D10/32
D496,590 S * 9/2004 Chung et al. D10/31
D553,536 S * 10/2007 Andren et al. D11/3
D564,368 S * 3/2008 Molyneux D10/31
D564,369 S * 3/2008 Molyneux D10/31
D572,151 S * 7/2008 Fasciano D10/31
D617,661 S * 6/2010 Nara et al. D10/31

(Continued)

Primary Examiner — Martie K Holtje

(74) *Attorney, Agent, or Firm* — Saul Ewing LLP

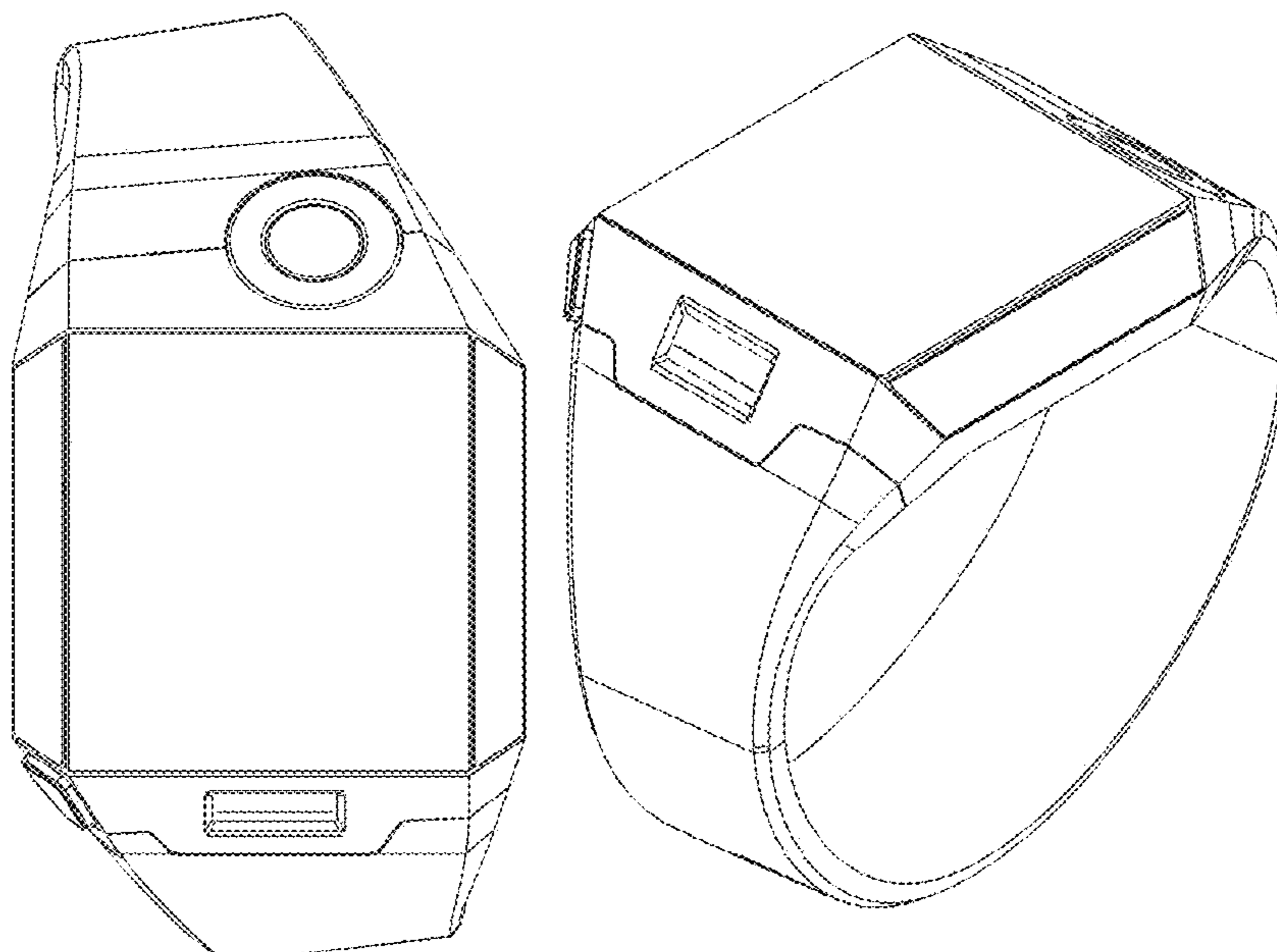
(57) **CLAIM**

The ornamental design for a watch, as shown and described.

DESCRIPTION

FIG. 1 is a top plan view of a watch showing my new design in a right-handed configuration;
FIG. 2 is a bottom plan view of FIG. 1;
FIG. 3 is a rear elevational view of FIG. 1;
FIG. 4 is a front elevational view of FIG. 1;
FIG. 5 is a top right side perspective view of FIG. 1;
FIG. 6 is a left side elevational view of FIG. 1;
FIG. 7 is a right side elevational view of FIG. 1;
FIG. 8 is a top plan view of a second embodiment of my design of FIG. 1 shown in a left-handed configuration;
FIG. 9 is a bottom plan view of FIG. 8;
FIG. 10 is a rear elevational view of FIG. 8;
FIG. 11 is a front elevational view of FIG. 8;
FIG. 12 is a top left side perspective view of FIG. 8;
FIG. 13 is a left side elevational view of FIG. 8; and,
FIG. 14 is a right side elevational view of FIG. 8.
The structural features depicted by broken lines in FIGS. 2, 3, 9 and 10 have been shown for the purpose of illustrating portions of the watch that form no part of the claimed design.

1 Claim, 14 Drawing Sheets



US D756,241 S

Page 2

(56)

References Cited

U.S. PATENT DOCUMENTS

D621,808 S * 8/2010 Kim D14/138 R
D632,192 S * 2/2011 Jorst et al. D10/38

8,301,211 B2 * 10/2012 Lee et al. 455/575.6
D683,251 S * 5/2013 Dumas et al. D10/104.2
2007/0200716 A1 * 8/2007 Haase et al. 340/574
2009/0156255 A1 * 6/2009 Shin et al. 455/558

* cited by examiner

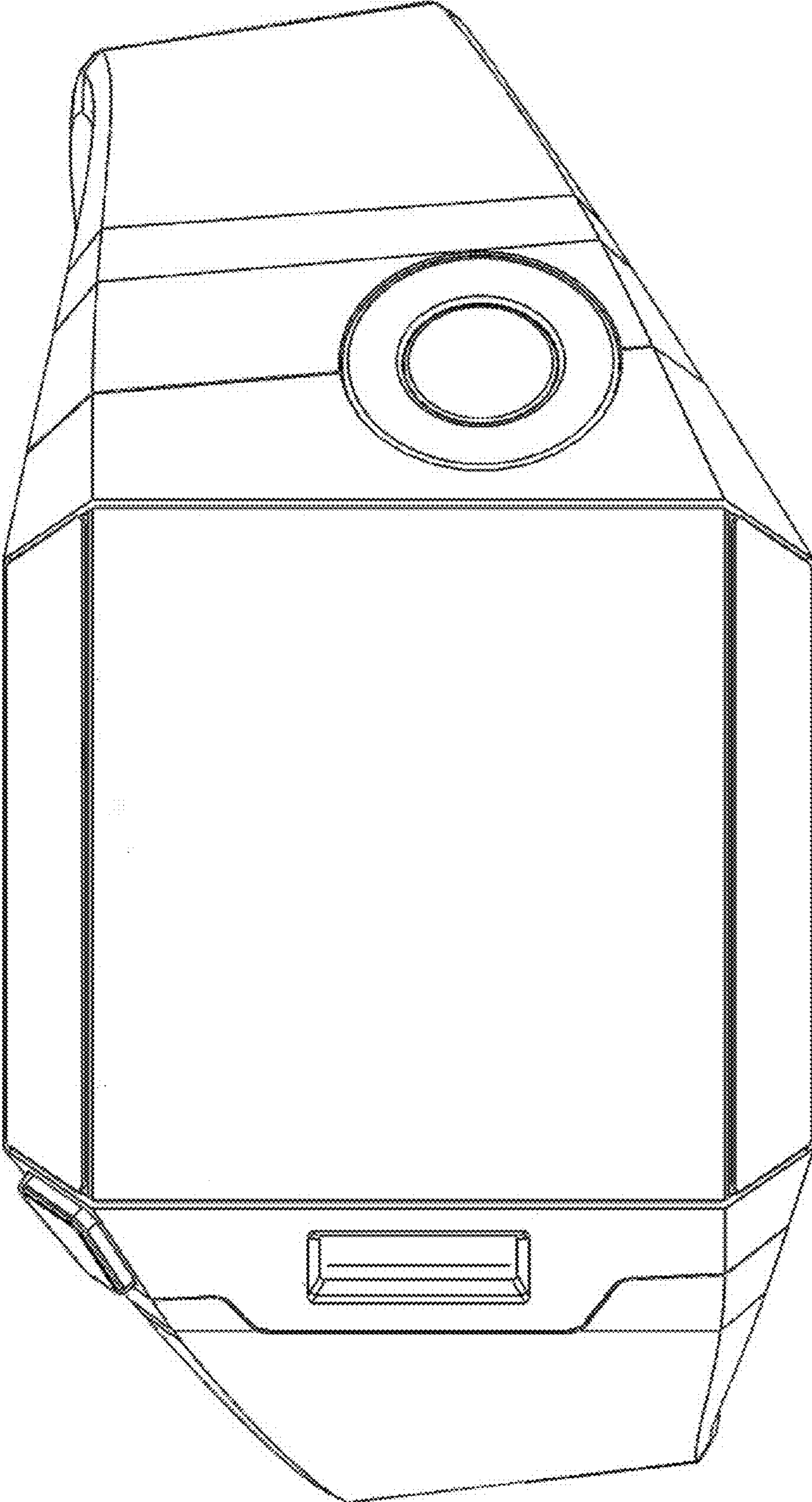


FIG. 1

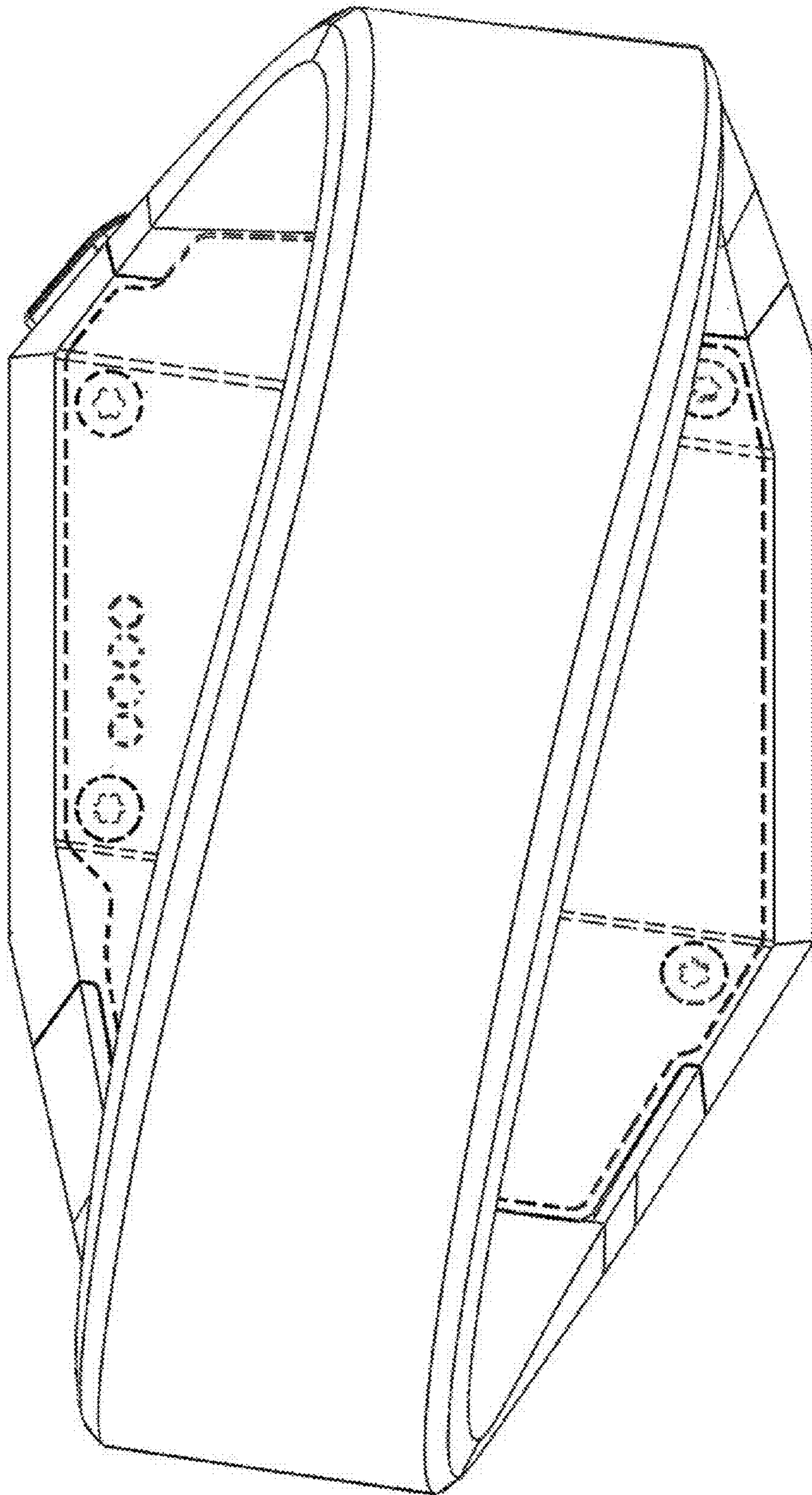


FIG. 2

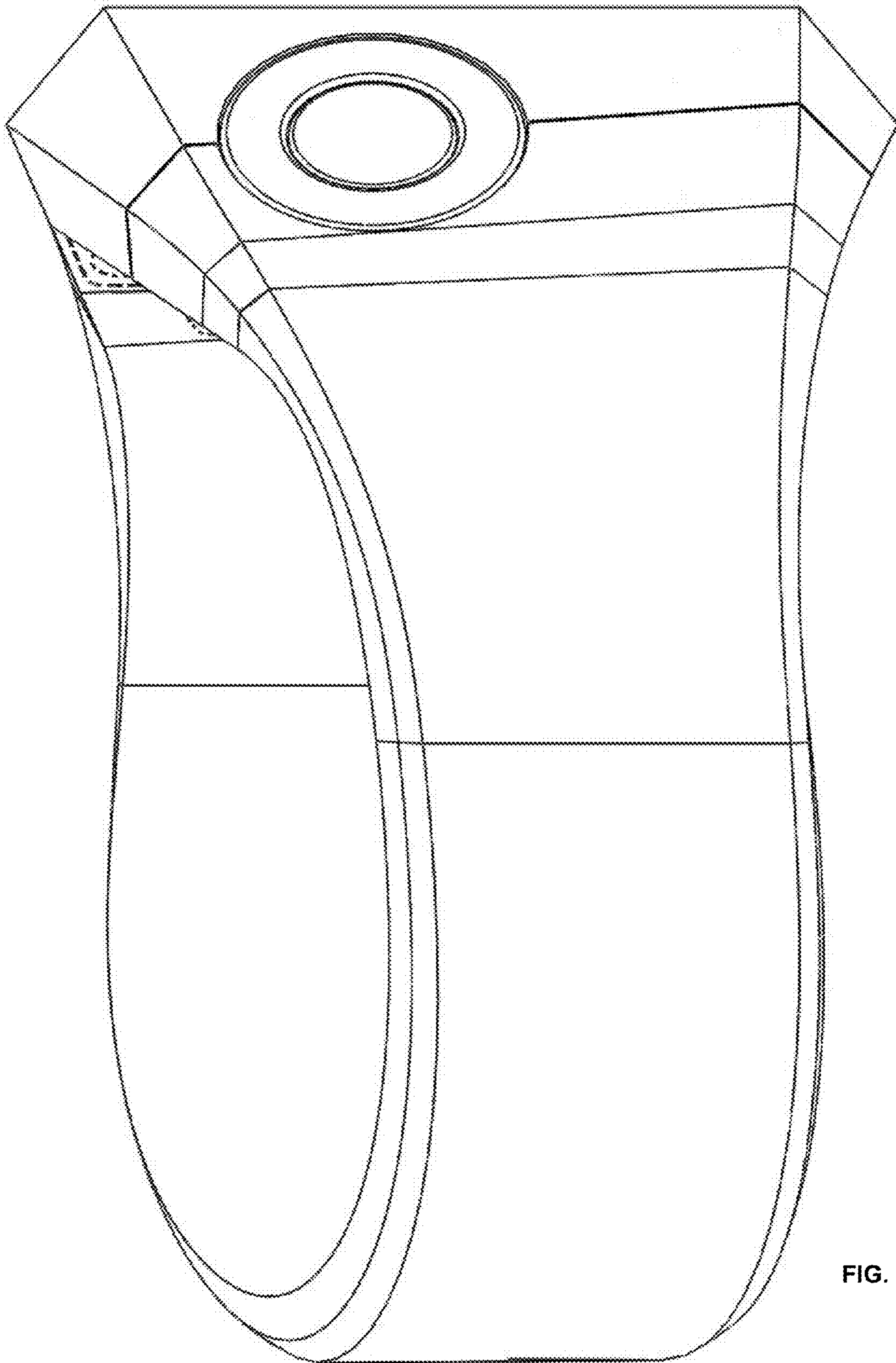


FIG. 3

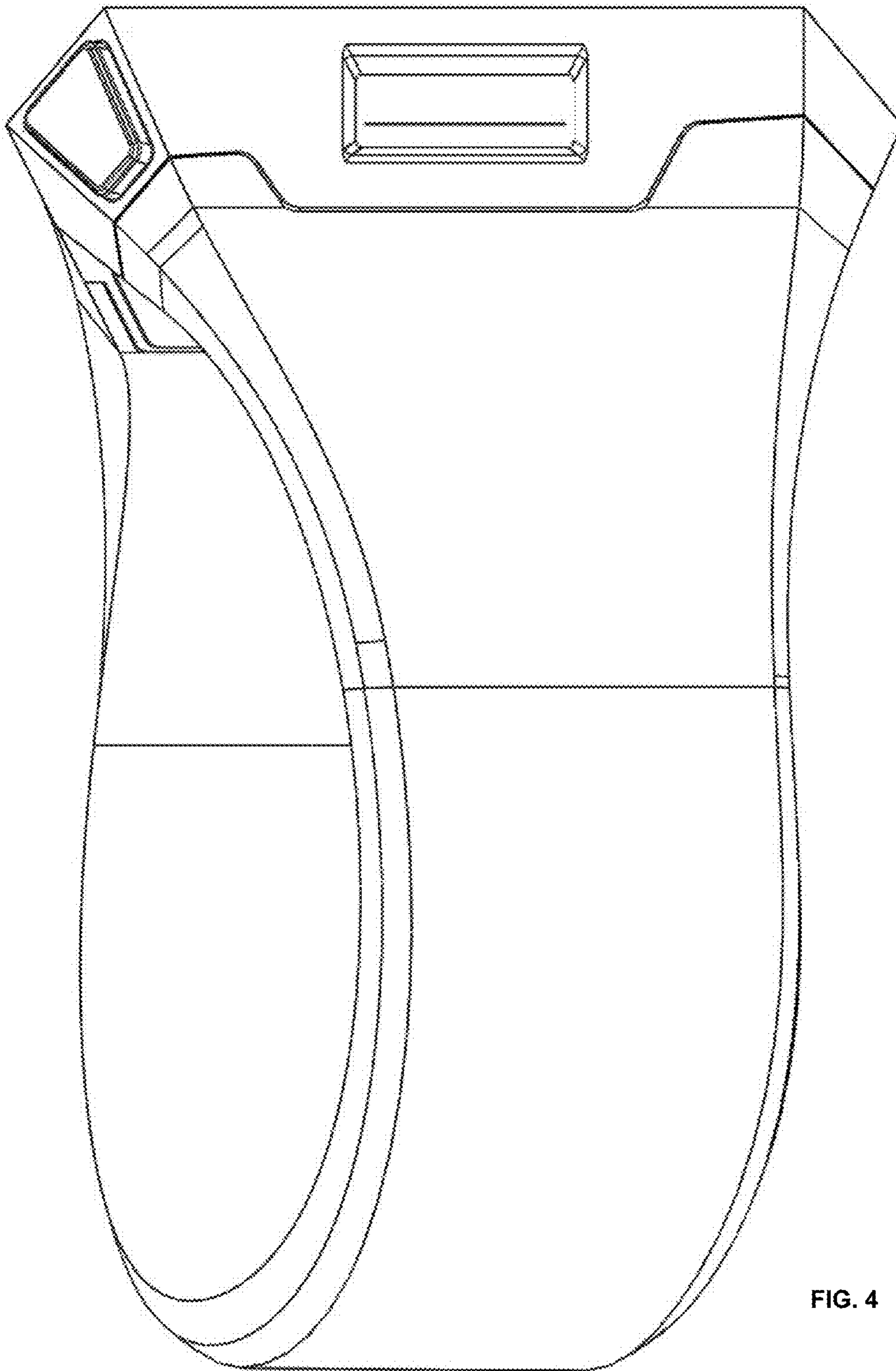


FIG. 4

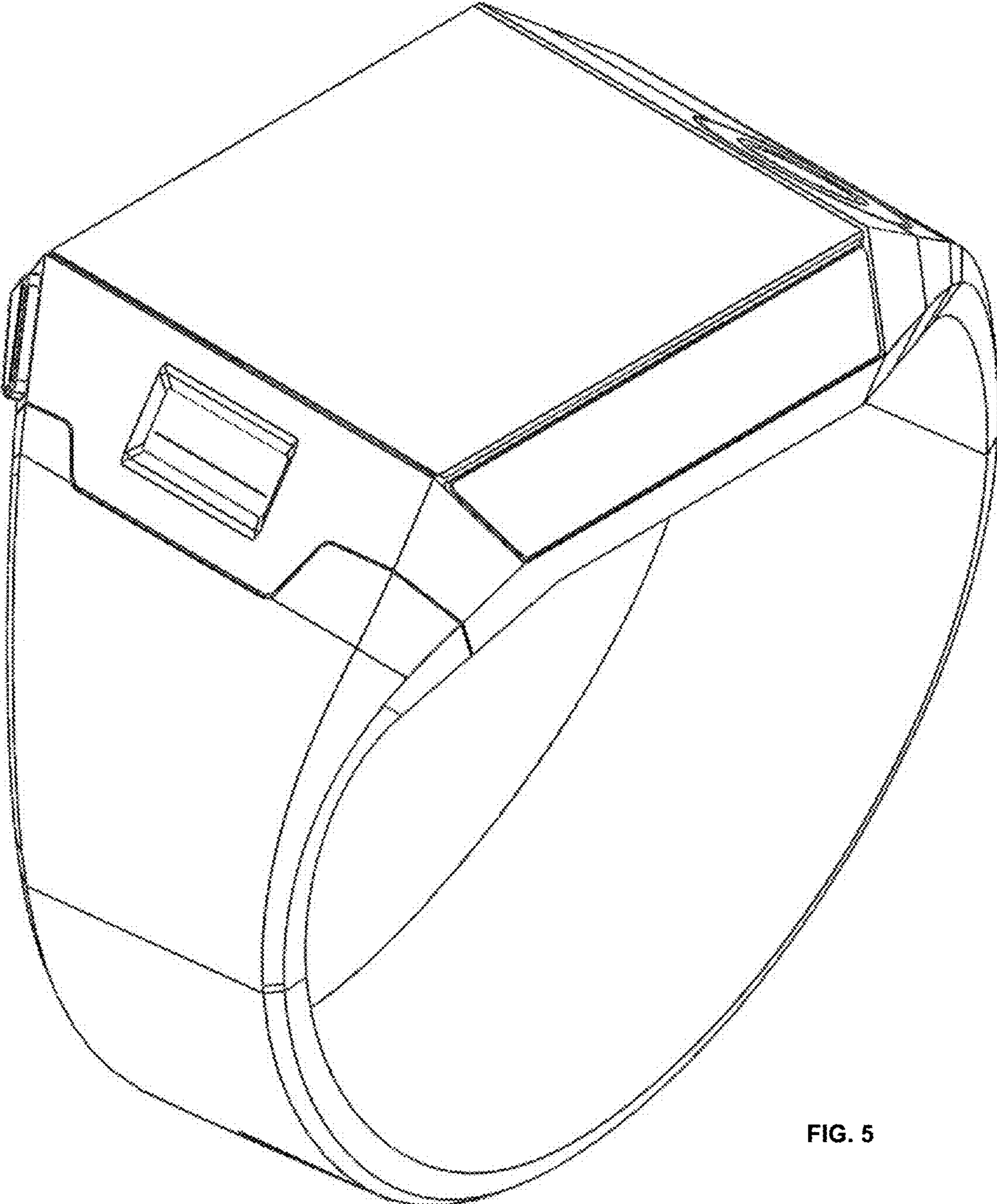


FIG. 5

FIG. 6

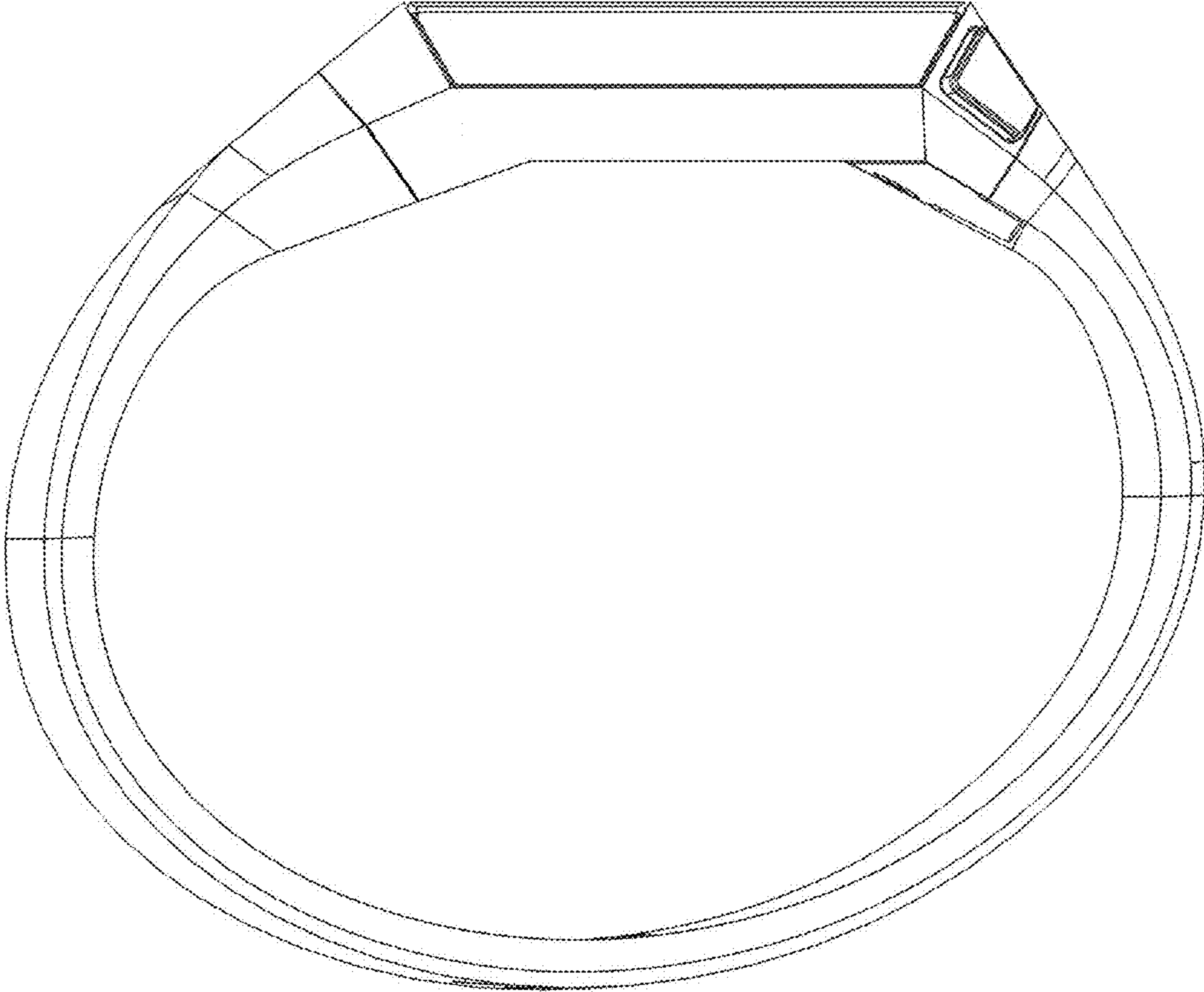
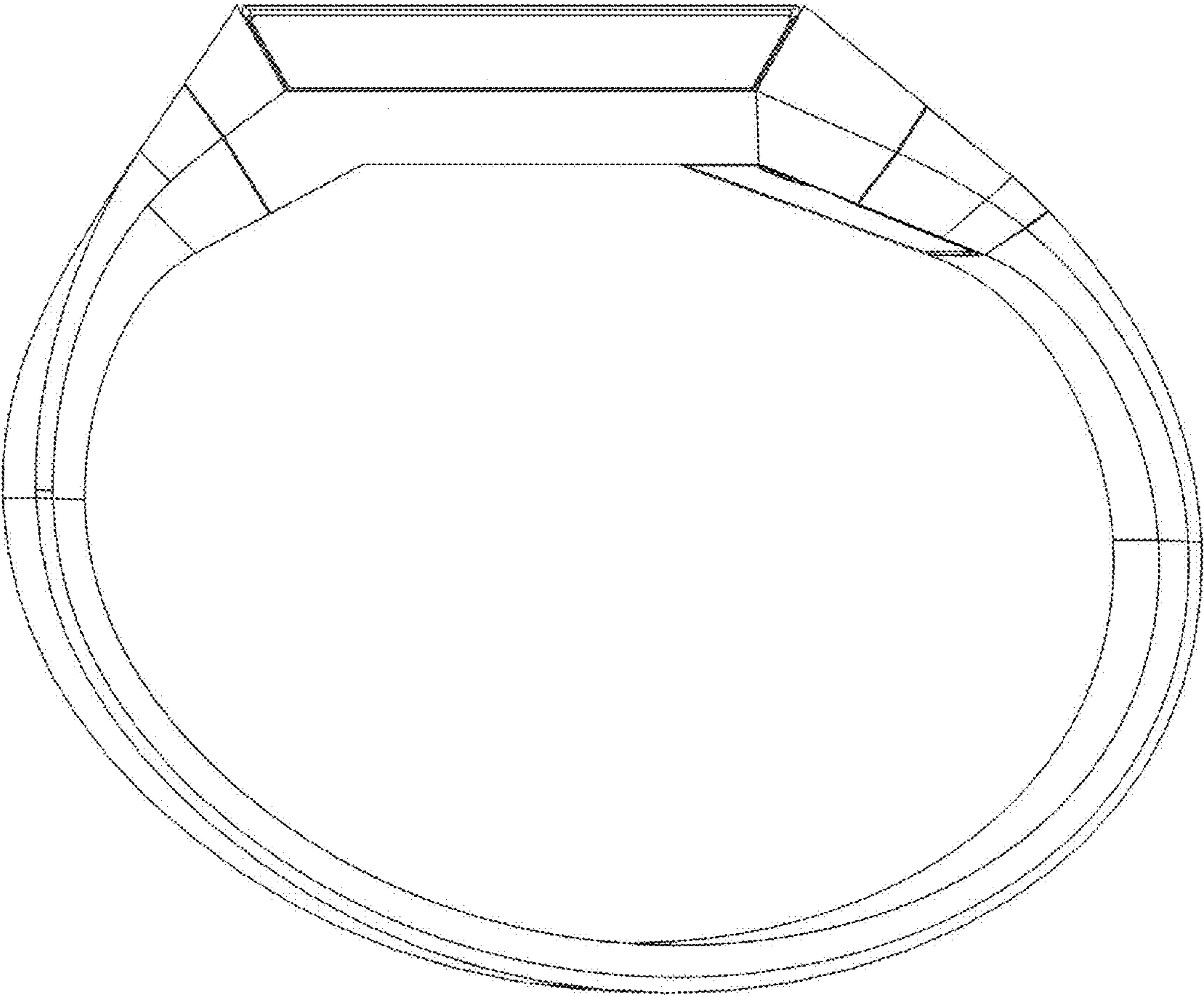


FIG. 7



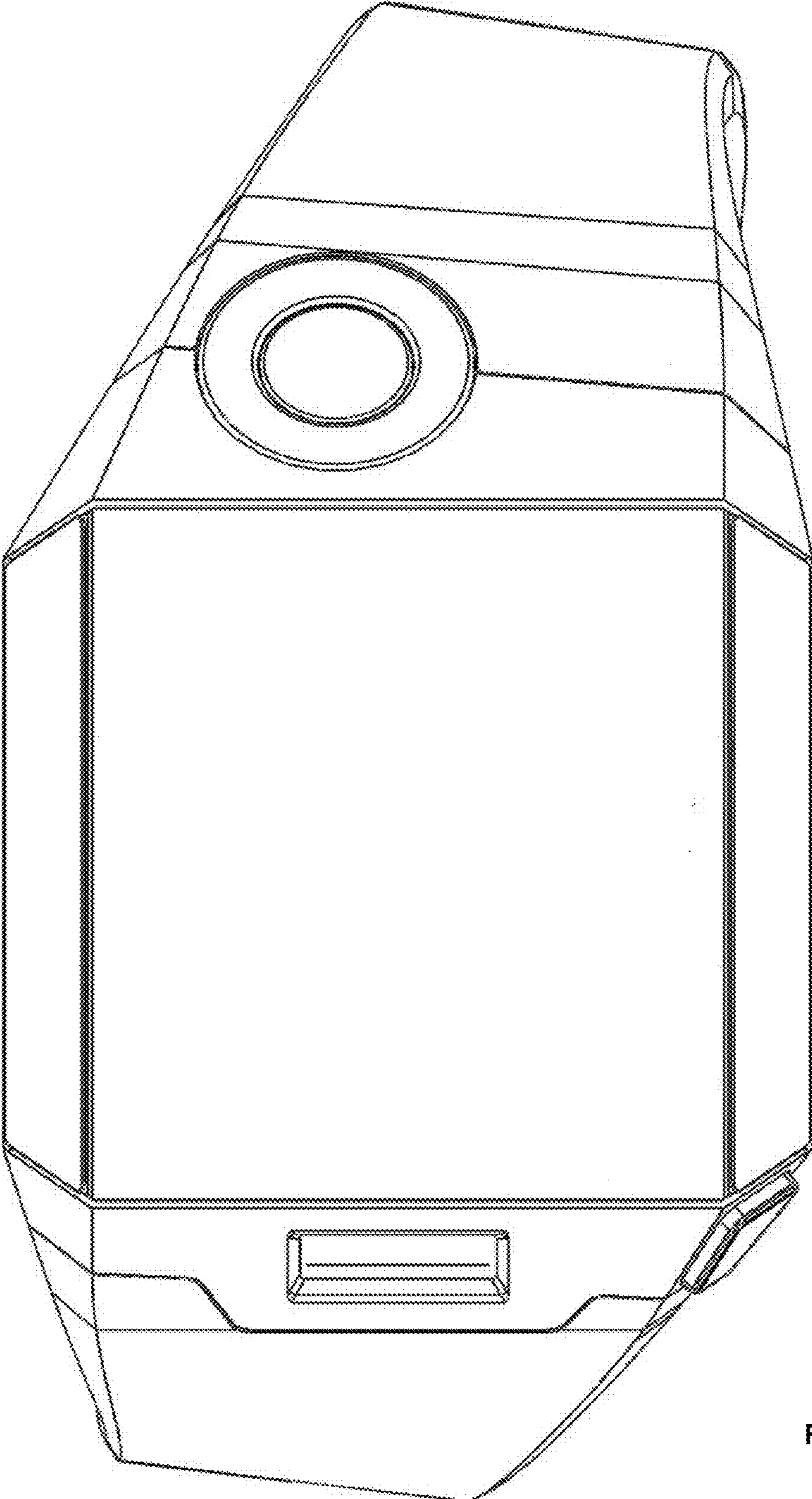


FIG. 8

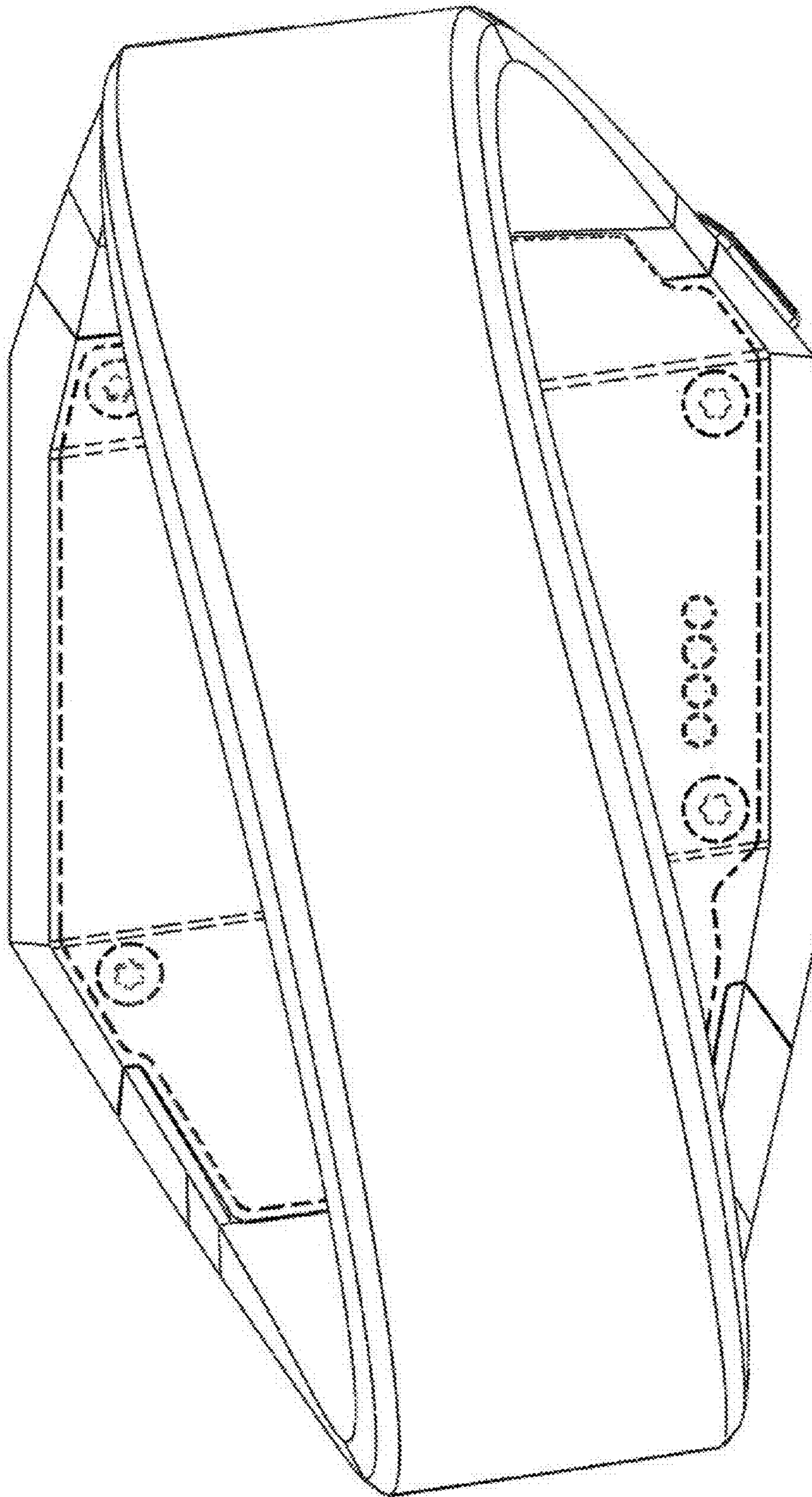


FIG. 9

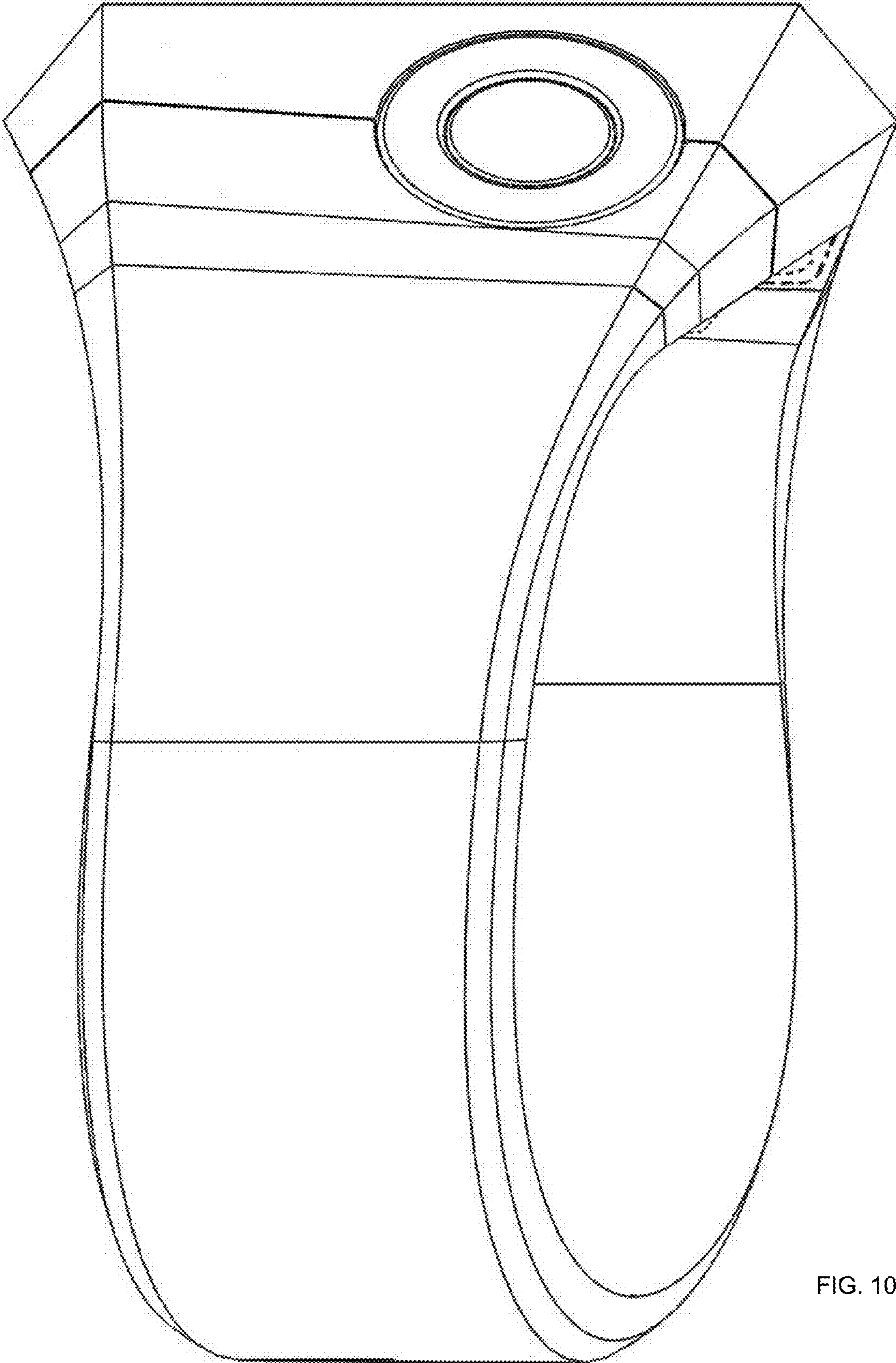


FIG. 10

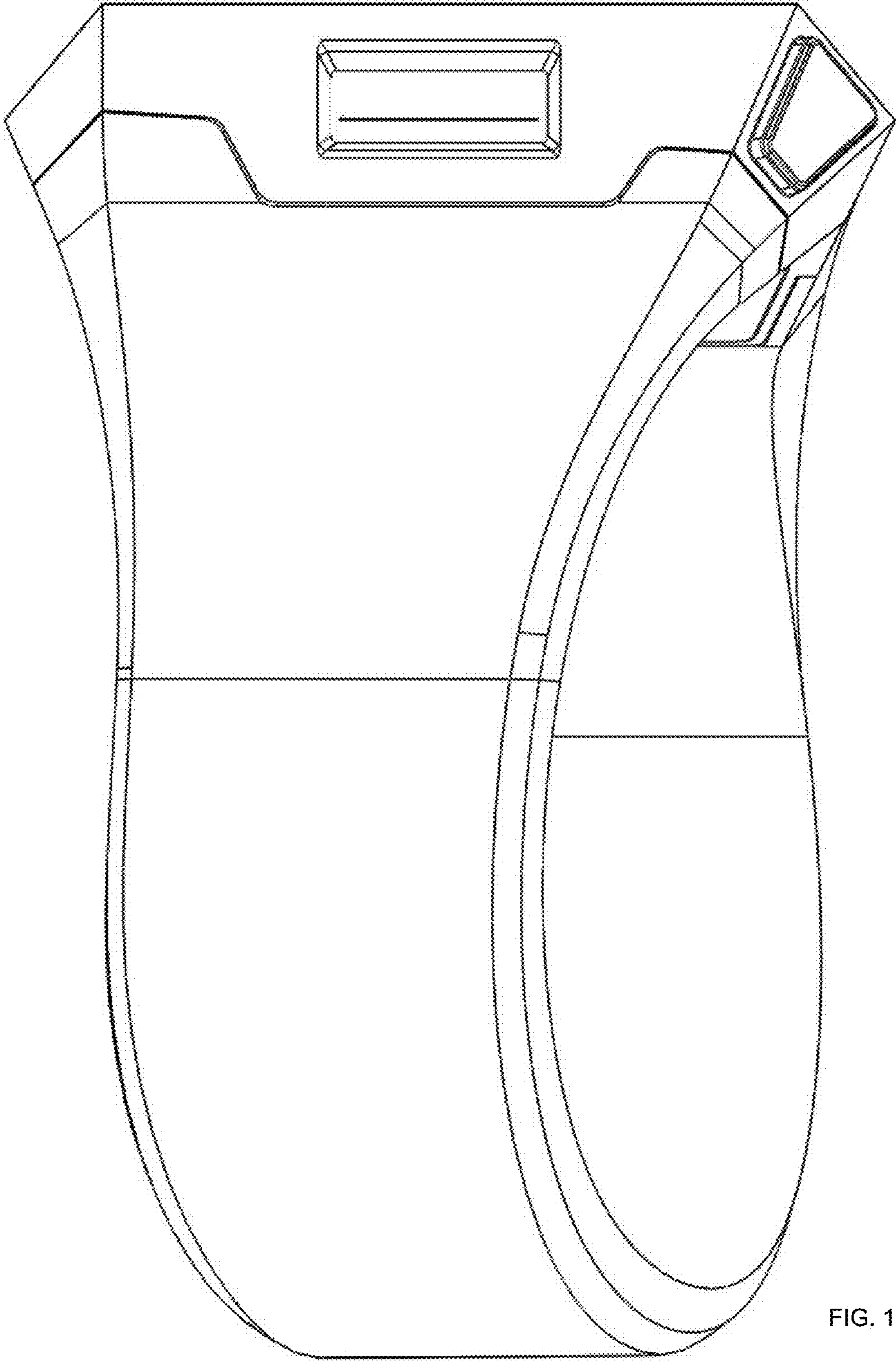


FIG. 11

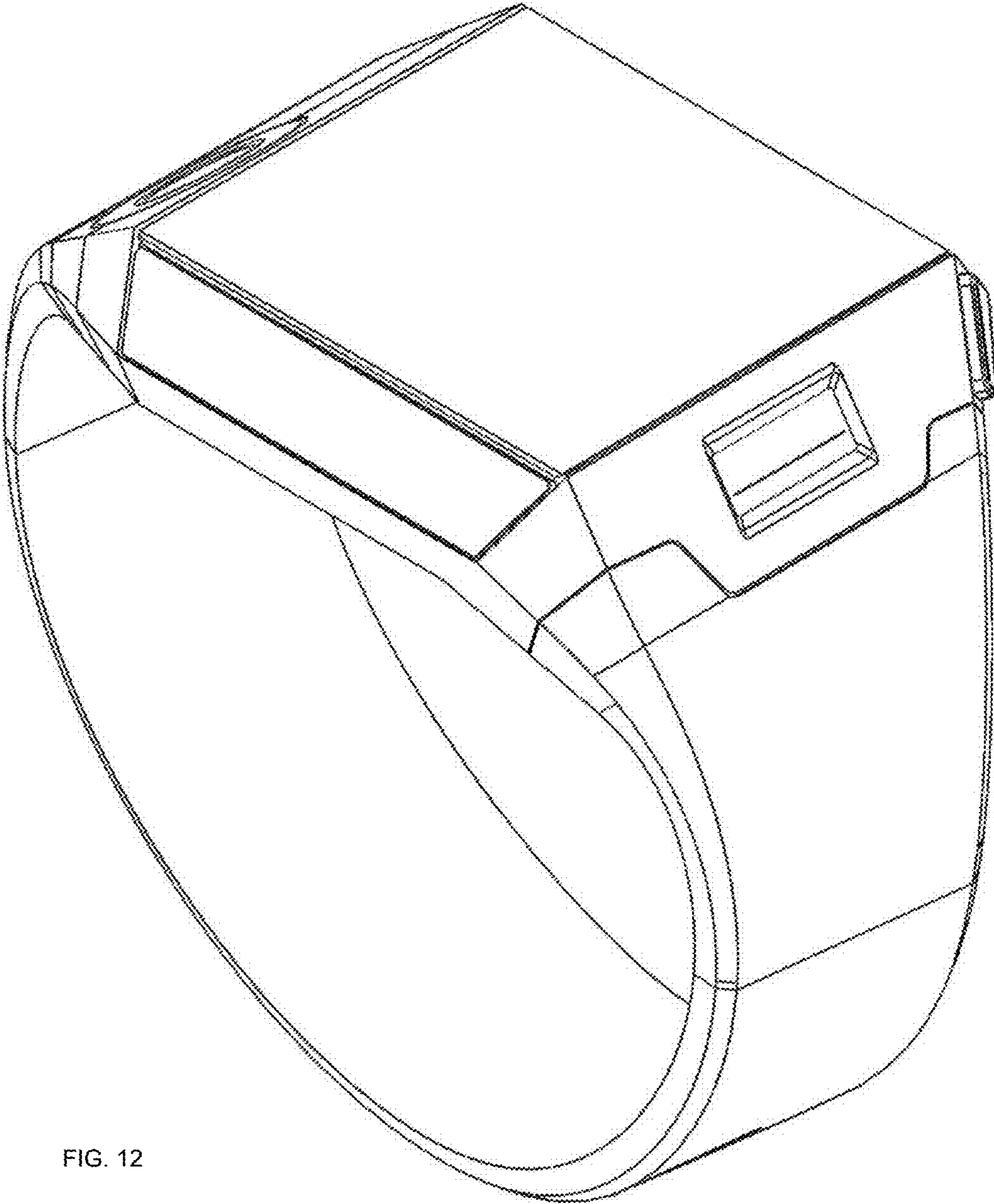


FIG. 12

FIG. 13

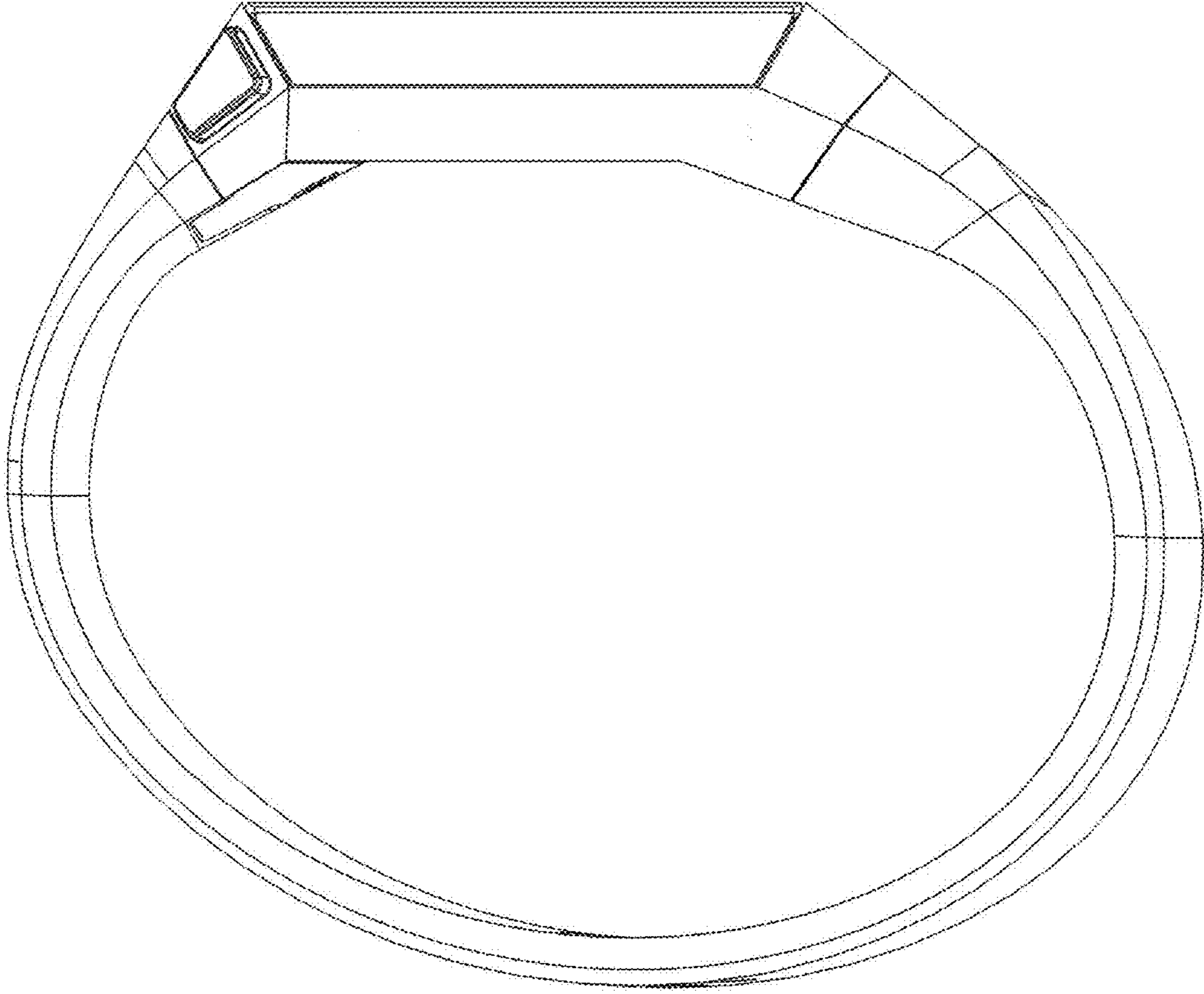


FIG. 14

