



US00D756240S

(12) **United States Design Patent**
Register et al.

(10) **Patent No.:** **US D756,240 S**

(45) **Date of Patent:** **** May 17, 2016**

(54) **WATCH WITH DISPLAY**

(71) Applicant: **Garmin Switzerland GmbH,**
Schaffhausen (CH)

(72) Inventors: **Todd P. Register,** Olathe, KS (US);
David F. Lammers-Meis, Olathe, KS
(US); **Toby C. Wilcher,** Prairie Village,
KS (US)

(73) Assignee: **Garmin Switzerland GmbH** (CH)

(**) Term: **15 Years**

(21) Appl. No.: **29/540,878**

(22) Filed: **Sep. 29, 2015**

Related U.S. Application Data

(63) Continuation of application No. 29/496,514, filed on
Jul. 14, 2014, now abandoned.

(51) **LOC (10) Cl.** **10-02**

(52) **U.S. Cl.**
USPC **D10/30; D10/38; D14/344**

(58) **Field of Classification Search**
USPC D10/30-39, 1-29, 122-132; D14/344,
D14/138 R; D11/3
CPC G04B 37/00; G04B 37/0008; G04B
37/1486; G04C 3/00; G04C 3/001; G04C
3/002; G04G 9/00; G04G 9/0017; G04G
9/0058; G04G 9/04; G04G 9/06; G04G 9/107;
G04G 17/00; G04G 17/005; G04G 17/08;
G04G 21/00; G04G 21/08; G04G 99/00;
G04G 99/06

See application file for complete search history.

(56) **References Cited**

U.S. PATENT DOCUMENTS

D222,784 S 12/1971 Kurth D10/39
3,733,809 A 5/1973 Reiter et al. 368/232

3,740,944 A 6/1973 Chopard 368/281
3,901,023 A 8/1975 Uebelhardt 368/281
D285,422 S * 9/1986 Grimes D10/32
D317,265 S 6/1991 Giolla et al. D10/39
5,226,023 A 7/1993 Grimm 368/223
D349,257 S * 8/1994 Polenber D11/3

(Continued)

OTHER PUBLICATIONS

Garmin Forerunner 610, published Mar. 2011.

(Continued)

Primary Examiner — Martie K Holtje

(74) *Attorney, Agent, or Firm* — Samuel M. Korte; Max M.
Ali

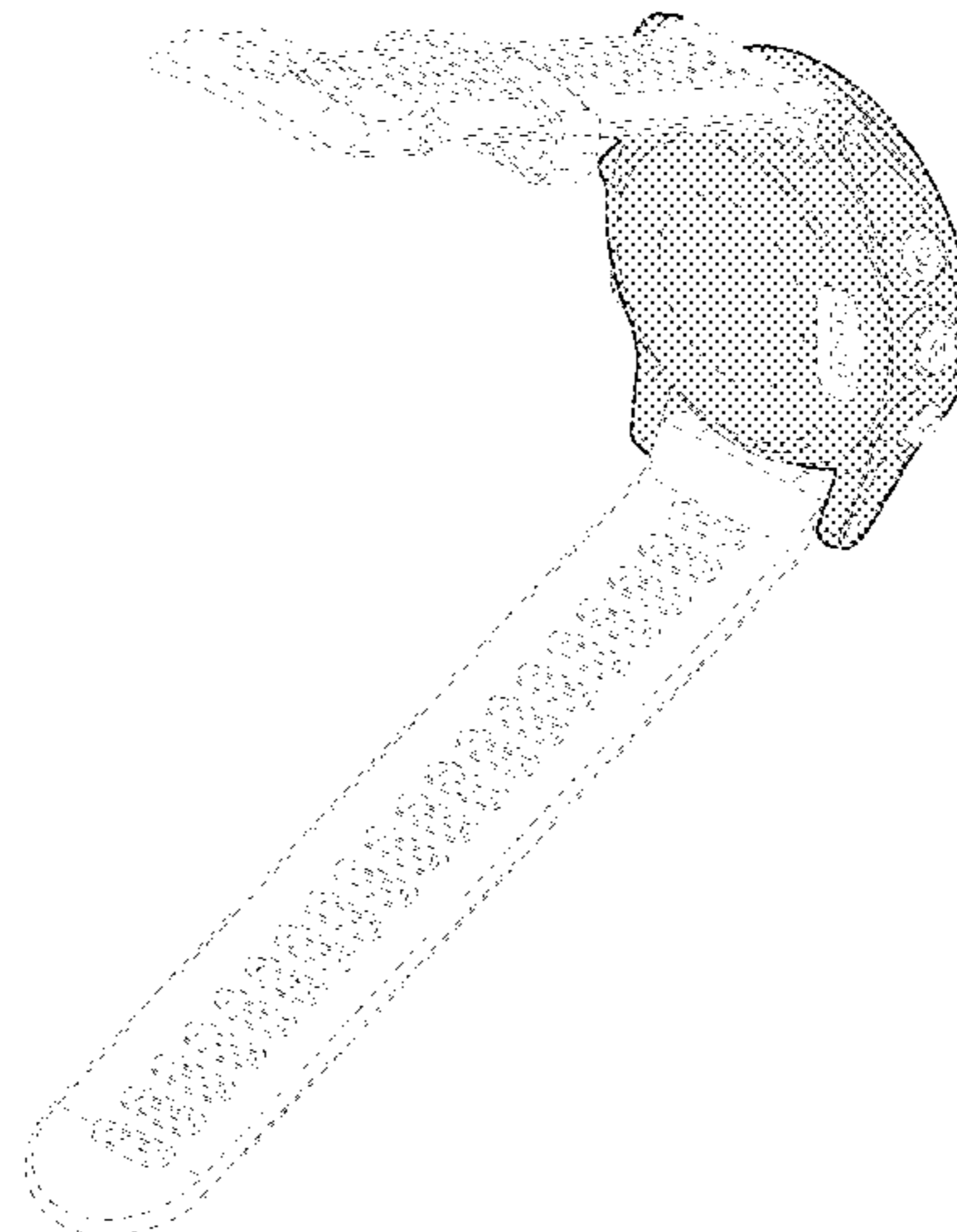
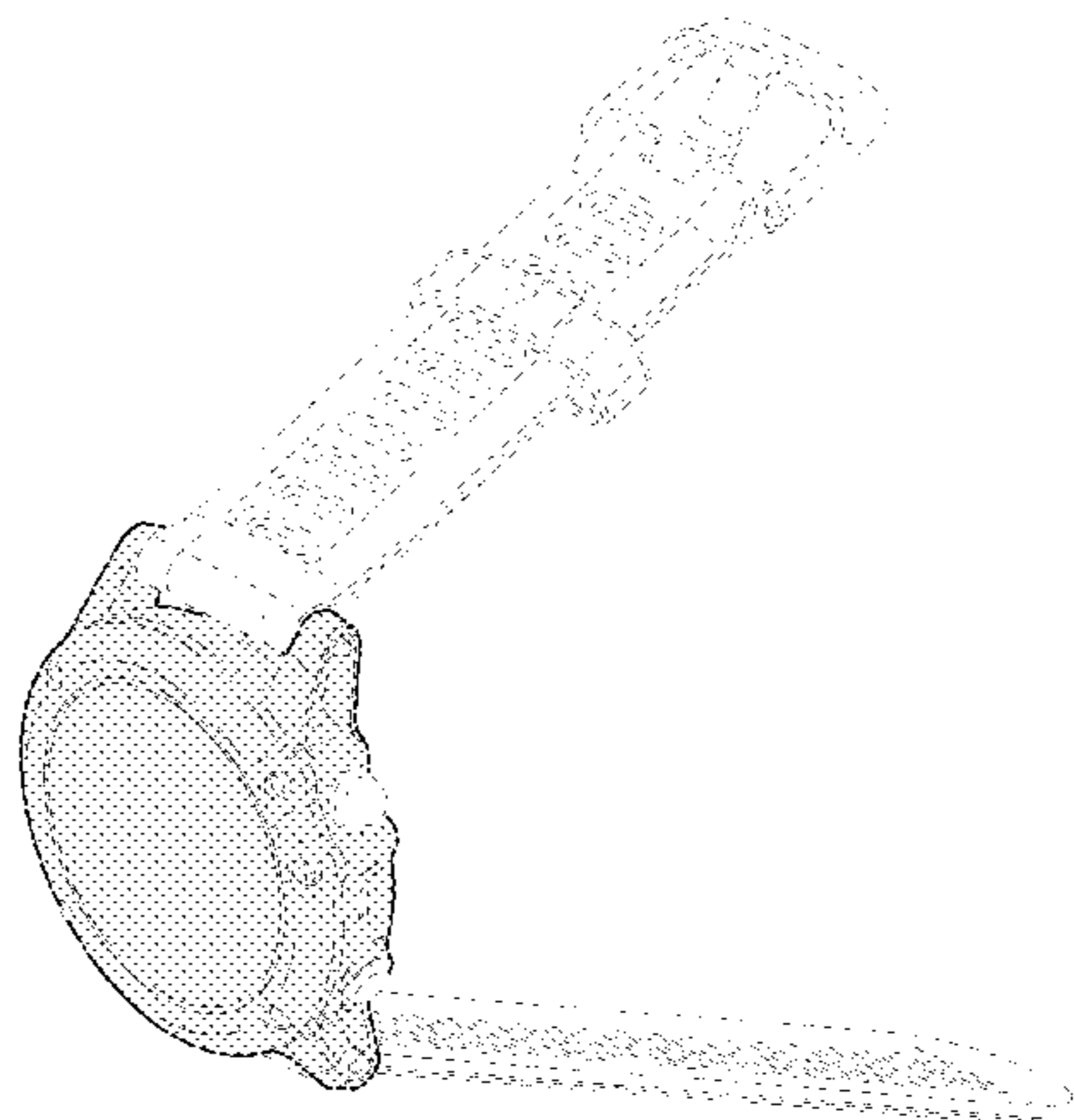
(57) **CLAIM**

The ornamental design for a watch with display, as shown and
described.

DESCRIPTION

FIG. 1 is a front perspective view of a watch with display
according to the present invention;
FIG. 2 is a rear perspective view of the watch with display;
FIG. 3 is a top view of the watch with display;
FIG. 4 is a front view of the watch with display;
FIG. 5 is a bottom view of the watch with display;
FIG. 6 is a rear view of the watch with display;
FIG. 7 is a left side view of the watch with display; and,
FIG. 8 is a right side view of the watch with display.
The structural features depicted by broken lines have been
shown for the purpose of illustrating portions of the watch
with display that form no part of the claimed design.

1 Claim, 4 Drawing Sheets



(56)

References Cited

U.S. PATENT DOCUMENTS

5,974,000 A * 10/1999 Pfeil G04G 21/00
368/10
D417,158 S 11/1999 Krauss D10/30
D459,241 S 6/2002 Bodino D10/32
D471,115 S 3/2003 Buechner D10/39
6,577,558 B1 6/2003 Ricci 368/228
D504,624 S 5/2005 Bodino D10/39
D508,038 S * 8/2005 Bonadei D10/32
D509,150 S * 9/2005 Bodino D10/32
D538,182 S 3/2007 Lalo D10/32
D573,486 S 7/2008 Sanz D10/38
D585,310 S 1/2009 Allison D10/39
D592,975 S 5/2009 Markl D10/32
D602,386 S * 10/2009 Ueda D10/32
D607,346 S 1/2010 Bove et al. D10/38
D610,922 S 3/2010 Lammers-Meis et al. 10/32
D633,812 S 3/2011 Yurman D10/32
D658,079 S 4/2012 Emch D10/38
D658,518 S 5/2012 Behling D10/39
D660,727 S 5/2012 Parmigiani D10/38
D661,206 S * 6/2012 Register D10/38
D664,865 S 8/2012 Yee D10/38
D682,712 S 5/2013 Lammers-Meis et al. D10/38
2003/0103413 A1 * 6/2003 Jacobi, Jr. G04G 21/00
368/10
2004/0081025 A1 * 4/2004 Chen G04B 37/1486
368/10

2006/0211410 A1 * 9/2006 Deniau H04B 1/385
455/412.1
2012/0099406 A1 * 4/2012 Lau G04G 21/08
368/69
2013/0088942 A1 * 4/2013 Perko G04R 60/10
368/278
2013/0242709 A1 * 9/2013 Chan G04G 99/006
368/10

OTHER PUBLICATIONS

Garmin Forerunner 405, published Jan. 2008.
Suunto Core, published prior to May 21, 2012.
Suunto Elementum, published prior to May 21, 2012.
Suunto X10, published prior to May 21, 2012.
Timex eCompass, published prior to May 21, 2012.
Tissot Touch Around, published prior to May 21, 2012.
Printout from <http://www.lindewerdelin.com/products/watches/spidolite>, published prior to May 21, 2012.
Printout from www.watchtowhat.com/wp-content/uploads/2015/03/casio-edifice-8.jpg published prior to Sep. 29, 2015.
Printout from www.theaaronloy.com/wp-content/uploads/2013/07/Casio-MT-G-G-Shock-Watch.jpg published prior to Sep. 29, 2015.
Printout from www.suunto.com/en-US/Products/Sports-Watches/Suunto-Ambit2/Suunto-Ambit2-Black/ published prior to Sep. 29, 2015.
Printout from www.dcrainmaker.com/2012/04/suunto-ambit-in-depth-review.html published prior to Sep. 29, 2015.

* cited by examiner

Fig. 1

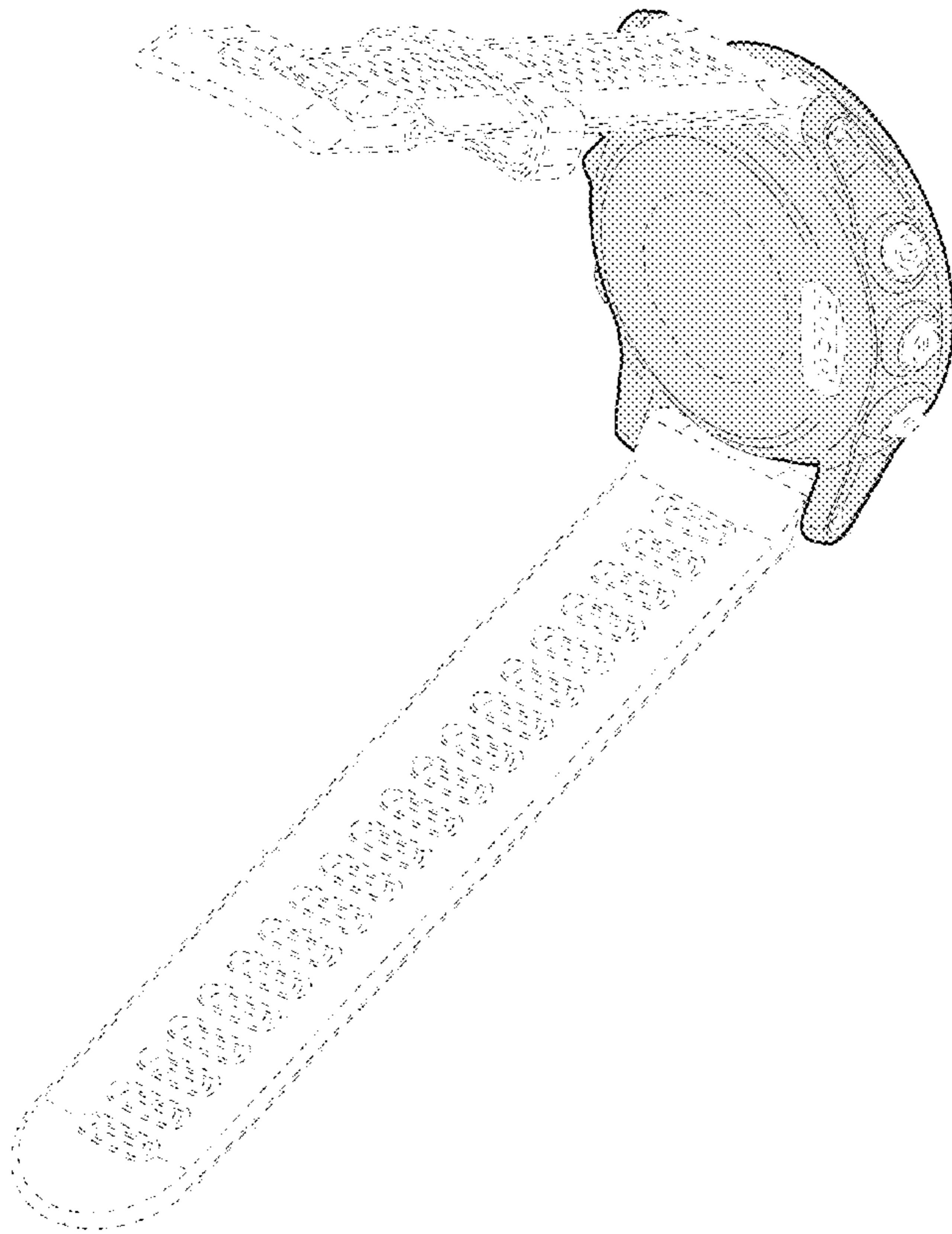
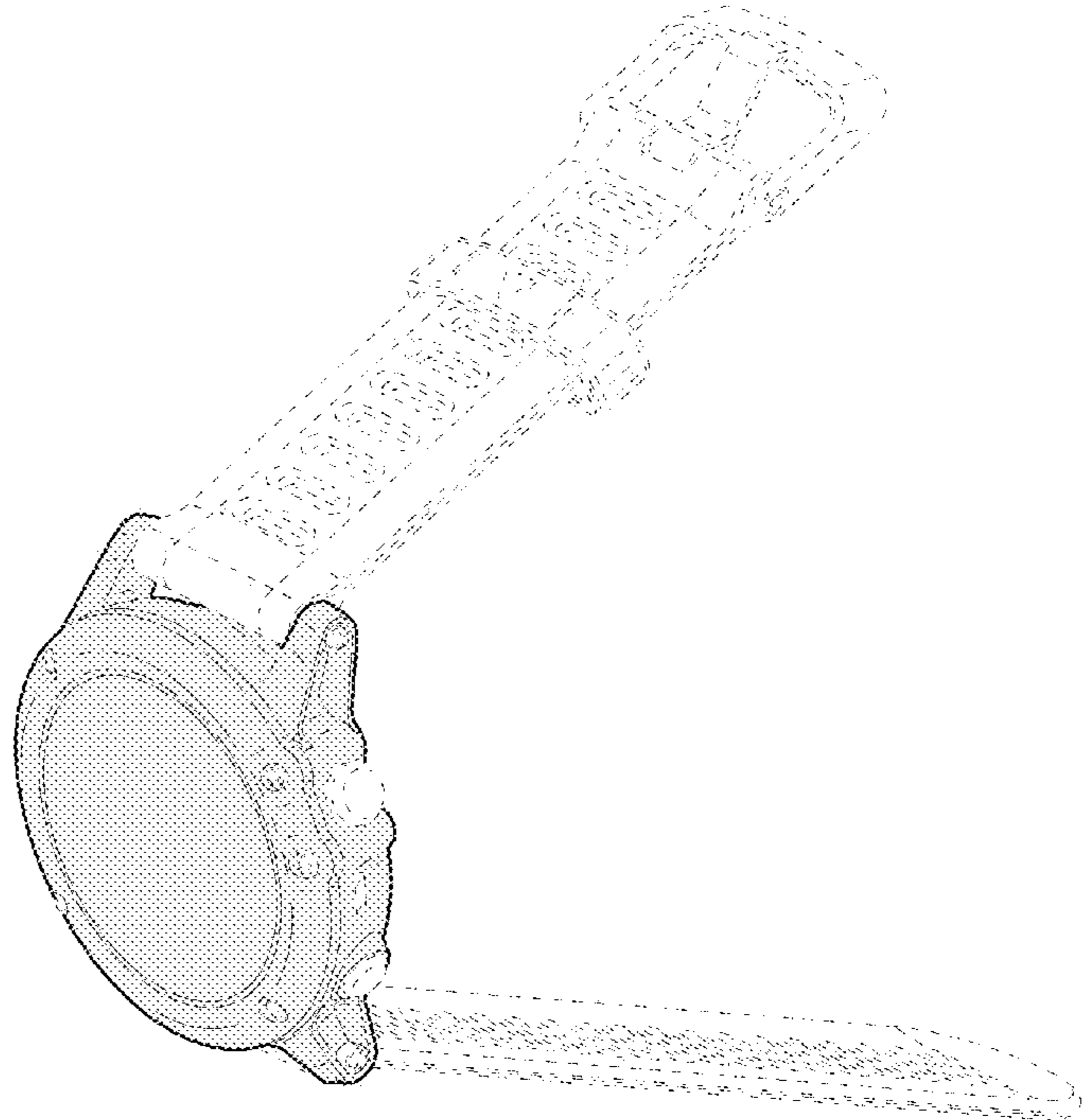


Fig. 2

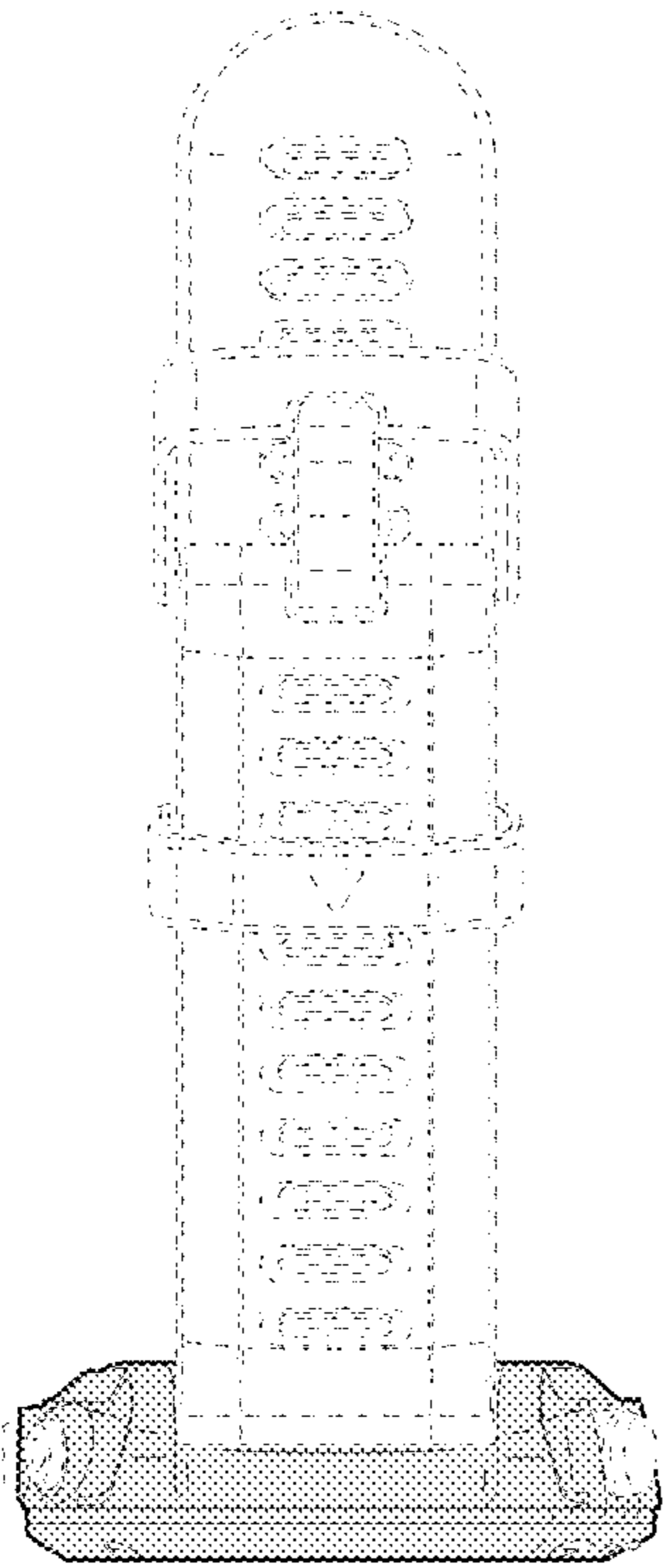


Fig. 3

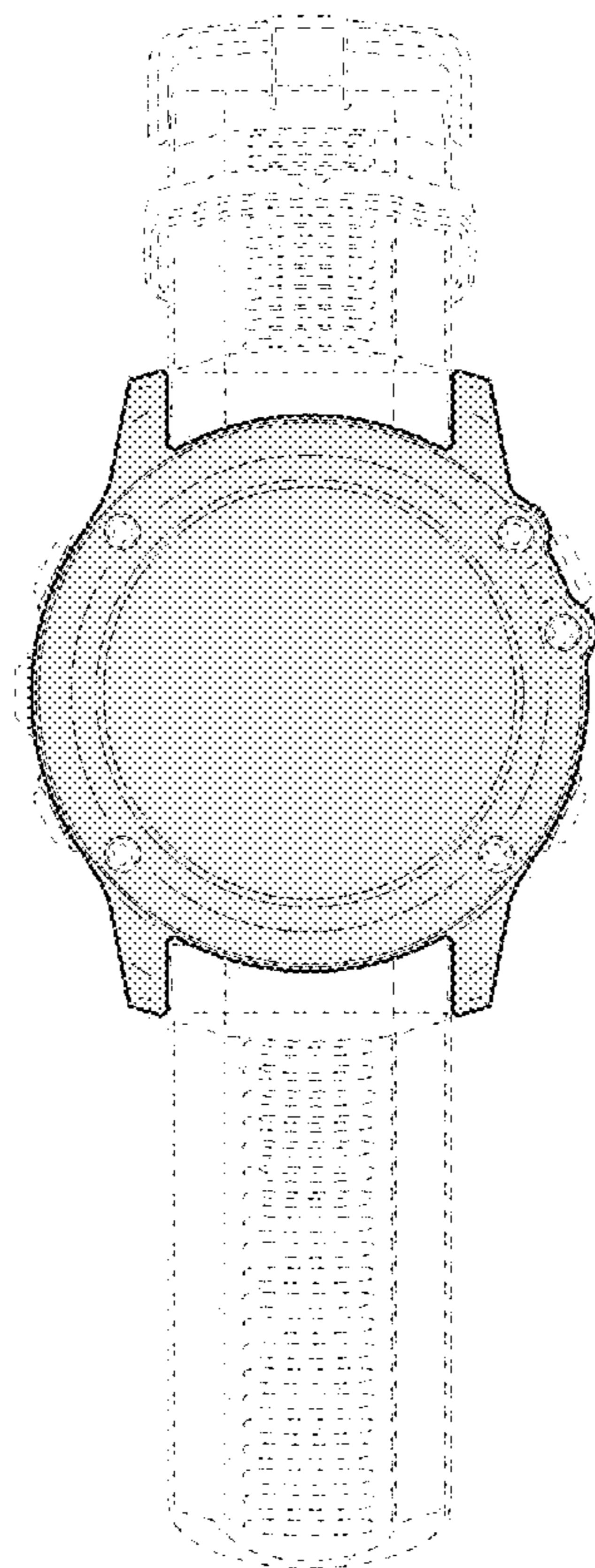


Fig. 4

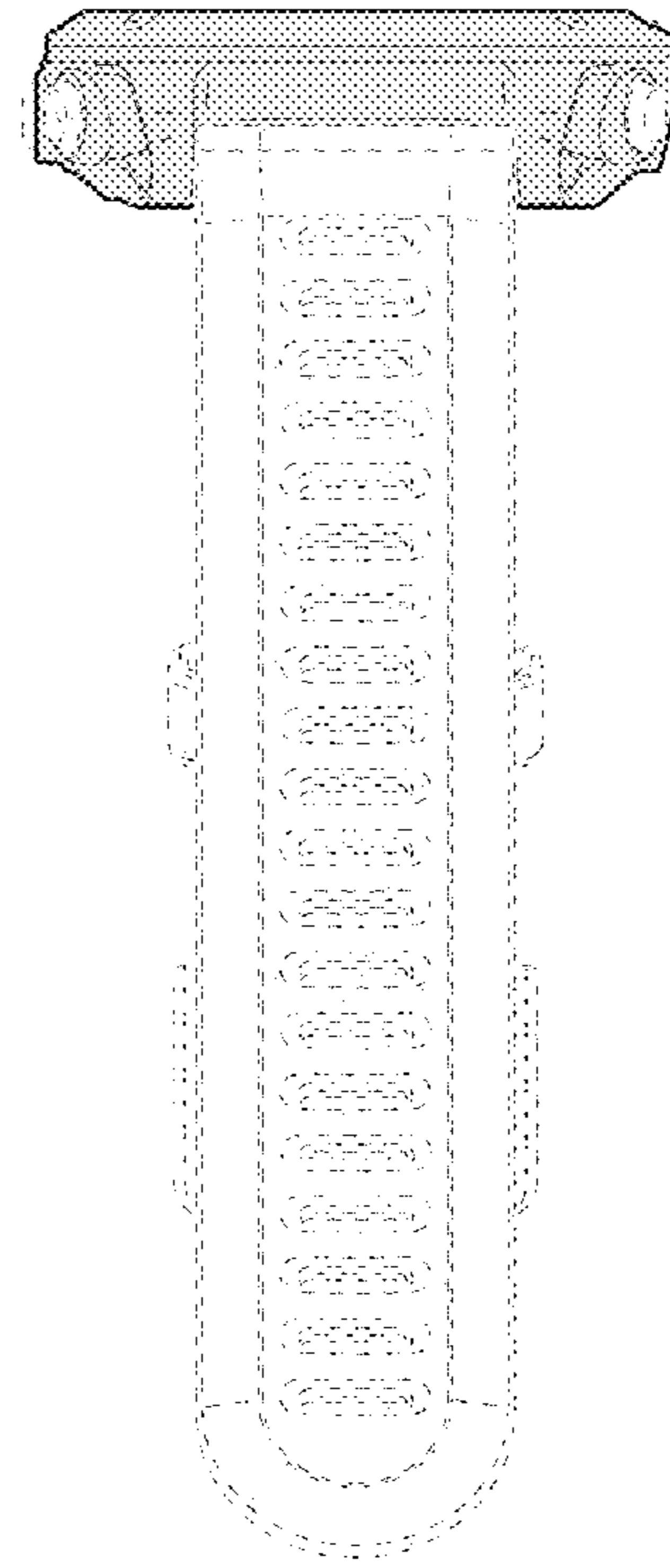


Fig. 5

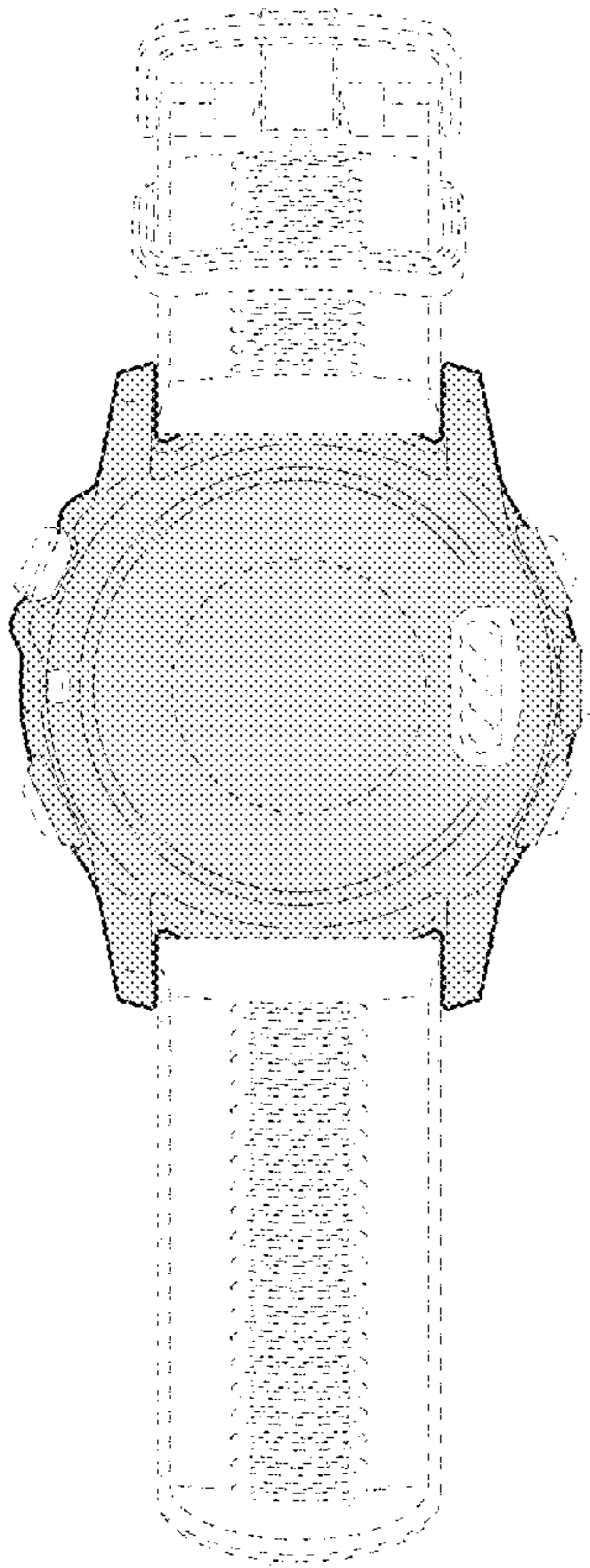


Fig. 6

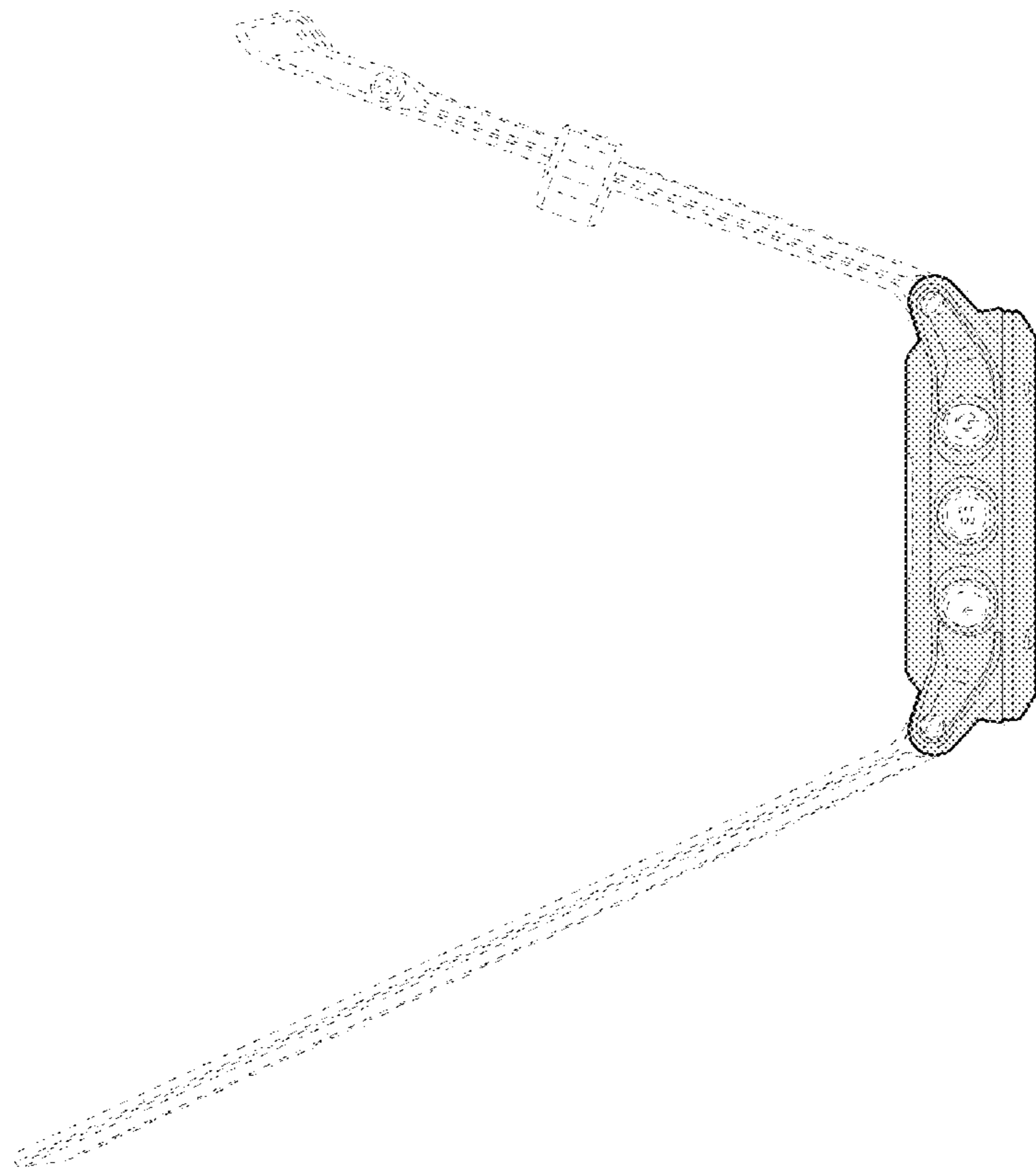


Fig. 7

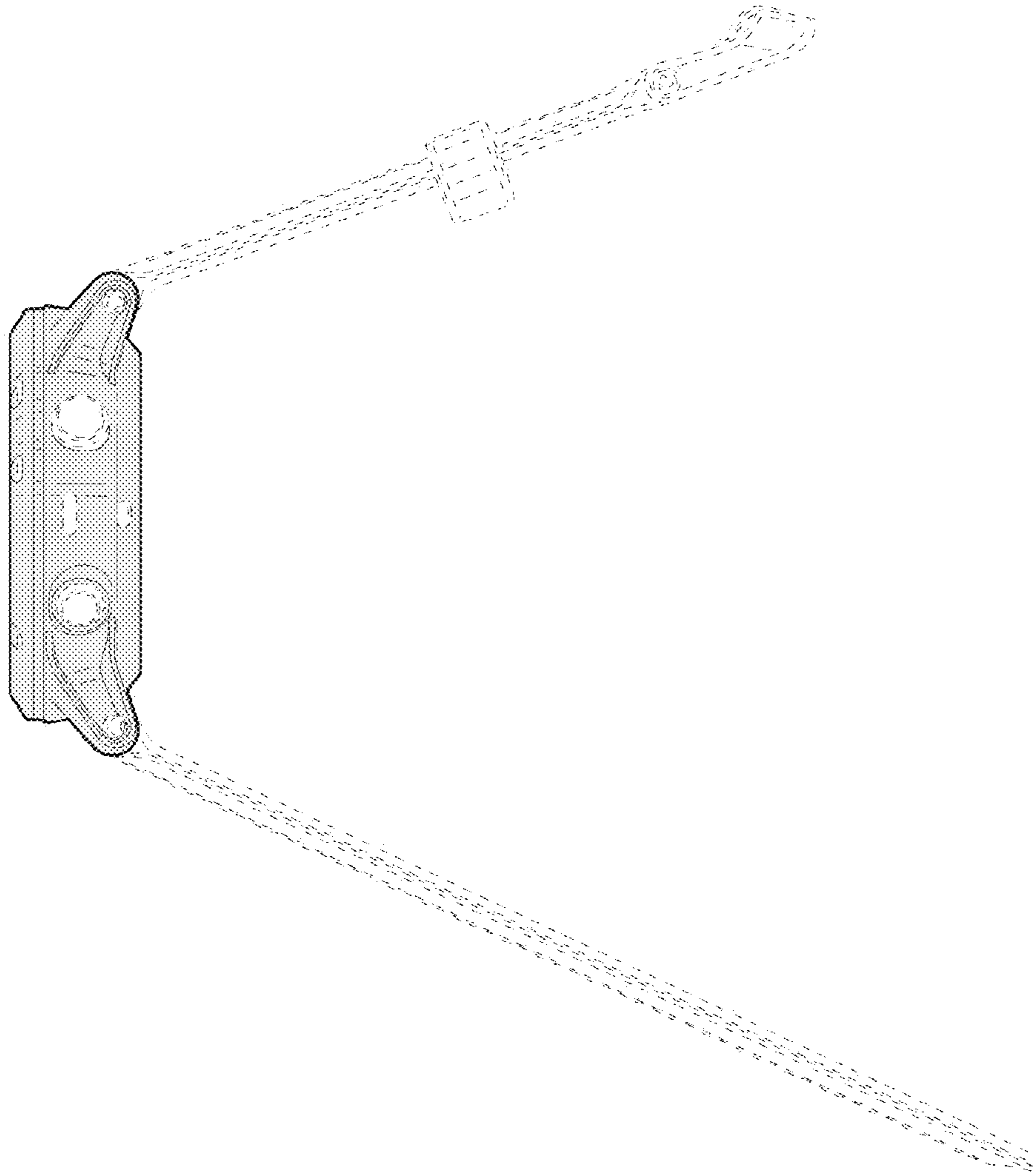


Fig. 8