

US00D756237S

(12) **United States Design Patent**
Kruse

(10) **Patent No.:** **US D756,237 S**
(45) **Date of Patent:** **** May 17, 2016**

(54) **PACKAGE**

(71) Applicant: **SATA GmbH & Co. KG**, Kornwestheim (DE)

(72) Inventor: **Albrecht Kruse**, Stuttgart (DE)

(73) Assignee: **SATA GMBH & CO. KG**, Kornwestheim (DE)

(**) Term: **14 Years**

(21) Appl. No.: **29/486,210**

(22) Filed: **Mar. 27, 2014**

(30) **Foreign Application Priority Data**

Sep. 27, 2013 (CN) 2013 3 0477365

(51) **LOC (10) Cl.** **09-03**

(52) **U.S. Cl.**

USPC **D9/679**; D9/432

(58) **Field of Classification Search**

USPC D9/415-419, 420-425, 428, 429-435, D9/600, 652, 667-679, 708, 719, 734; D3/203.2, 272, 273, 294, 302-304; D7/538-542, 601, 602, 629

CPC B65D 5/18; B65D 5/20; B65D 5/24; B65D 5/30; B65D 5/42; B65D 5/46; B65D 5/70; B65D 5/74; B65D 71/12; B65D 71/40; B65D 71/46; B65D 25/00; B65D 85/00

See application file for complete search history.

(56) **References Cited**

U.S. PATENT DOCUMENTS

D276,136 S	*	10/1984	Sebire	D9/432
D393,800 S	*	4/1998	Harrison	D9/418
D651,097 S	*	12/2011	Charles	D9/721
D671,402 S	*	11/2012	Charles	D9/423
D696,590 S	*	12/2013	Larson et al.	D9/600
D707,552 S	*	6/2014	Ahn et al.	D9/432
D710,687 S	*	8/2014	Katopo et al.	D9/432

* cited by examiner

Primary Examiner — Susan Bennett Hattan

Assistant Examiner — Vy Koenig

(74) *Attorney, Agent, or Firm* — Paul D. Bianco; Lourdes Perez; Fleit Gibbons Gutman Bongini & Bianco PL

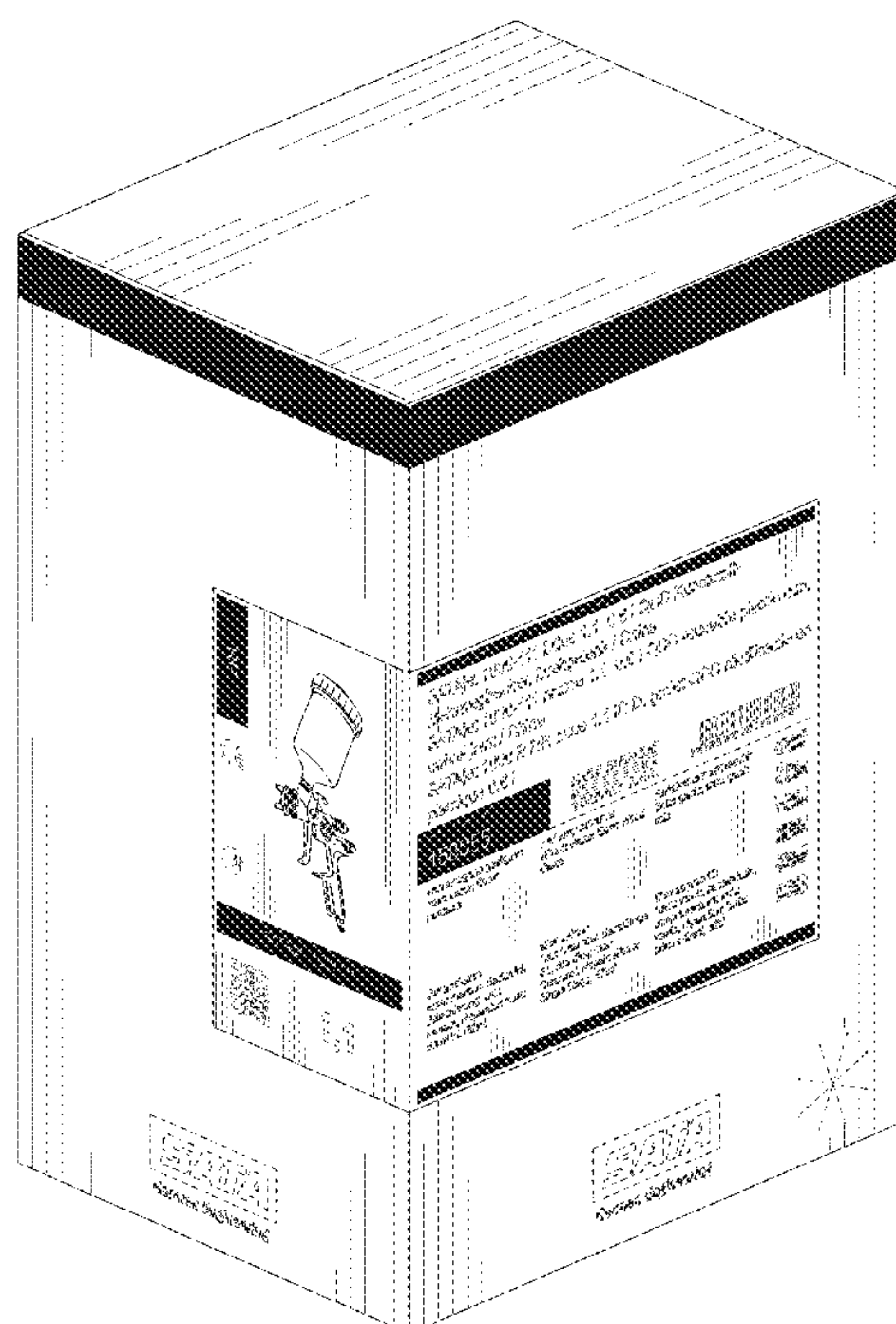
(57) **CLAIM**

The ornamental design for package, as shown and described.

DESCRIPTION

FIG. 1 is a top, rear, and left-side perspective view of a package according to the present invention; FIG. 2 is a front elevational view of the package of FIG. 1; FIG. 3 is a rear elevational view of the package of FIG. 1; FIG. 4 is a left-side elevational view of the package of FIG. 1; FIG. 5 is a right-side elevational view of the package of FIG. 1; FIG. 6 is a top planar view of the package of FIG. 1; and, FIG. 7 is a bottom planar view of the package of FIG. 1. The broken lines shown in the drawings illustrate portions of the package that form no part of the claimed design. The surface shading in the drawings represents a contrast in appearance.

1 Claim, 4 Drawing Sheets



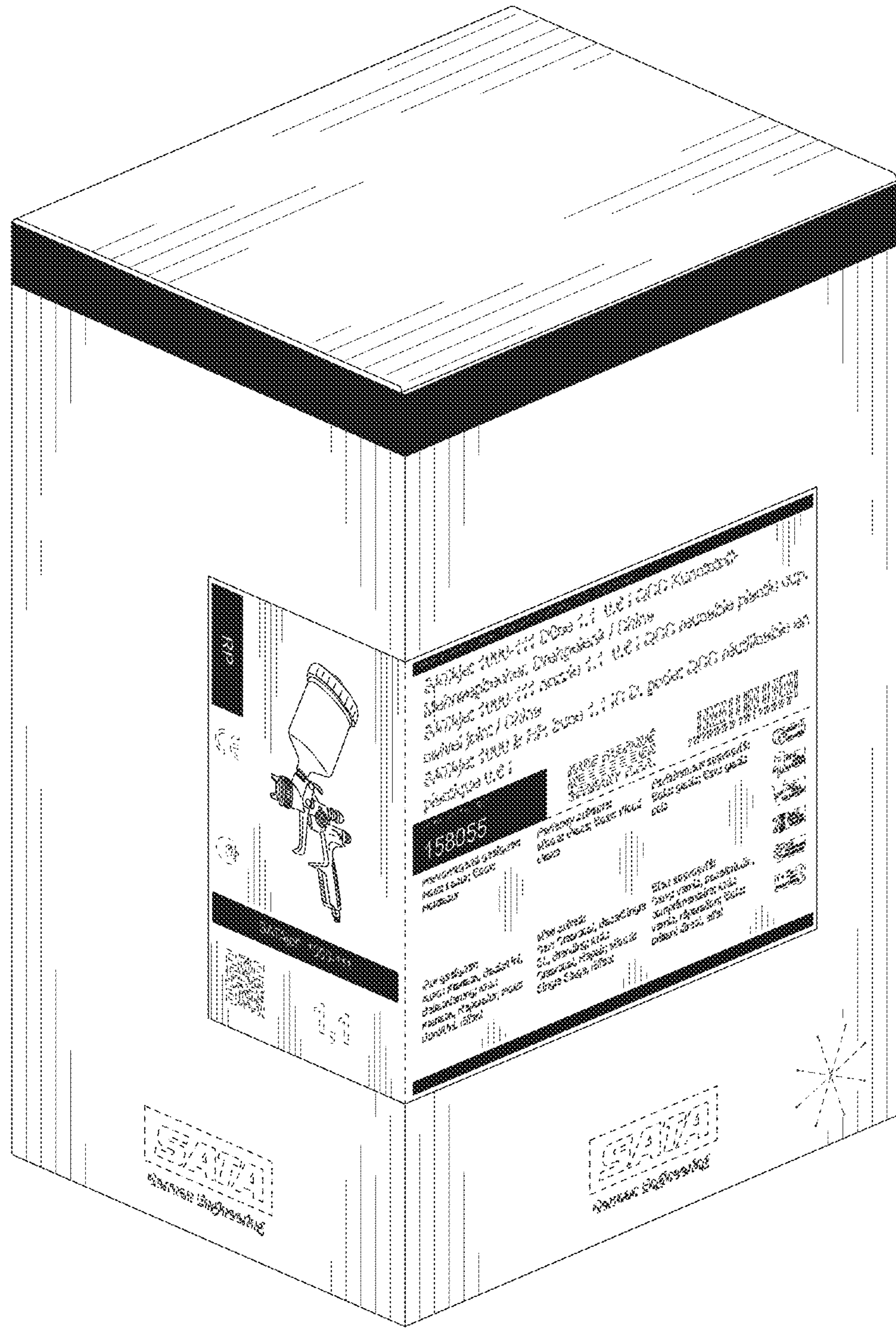


FIG. 1

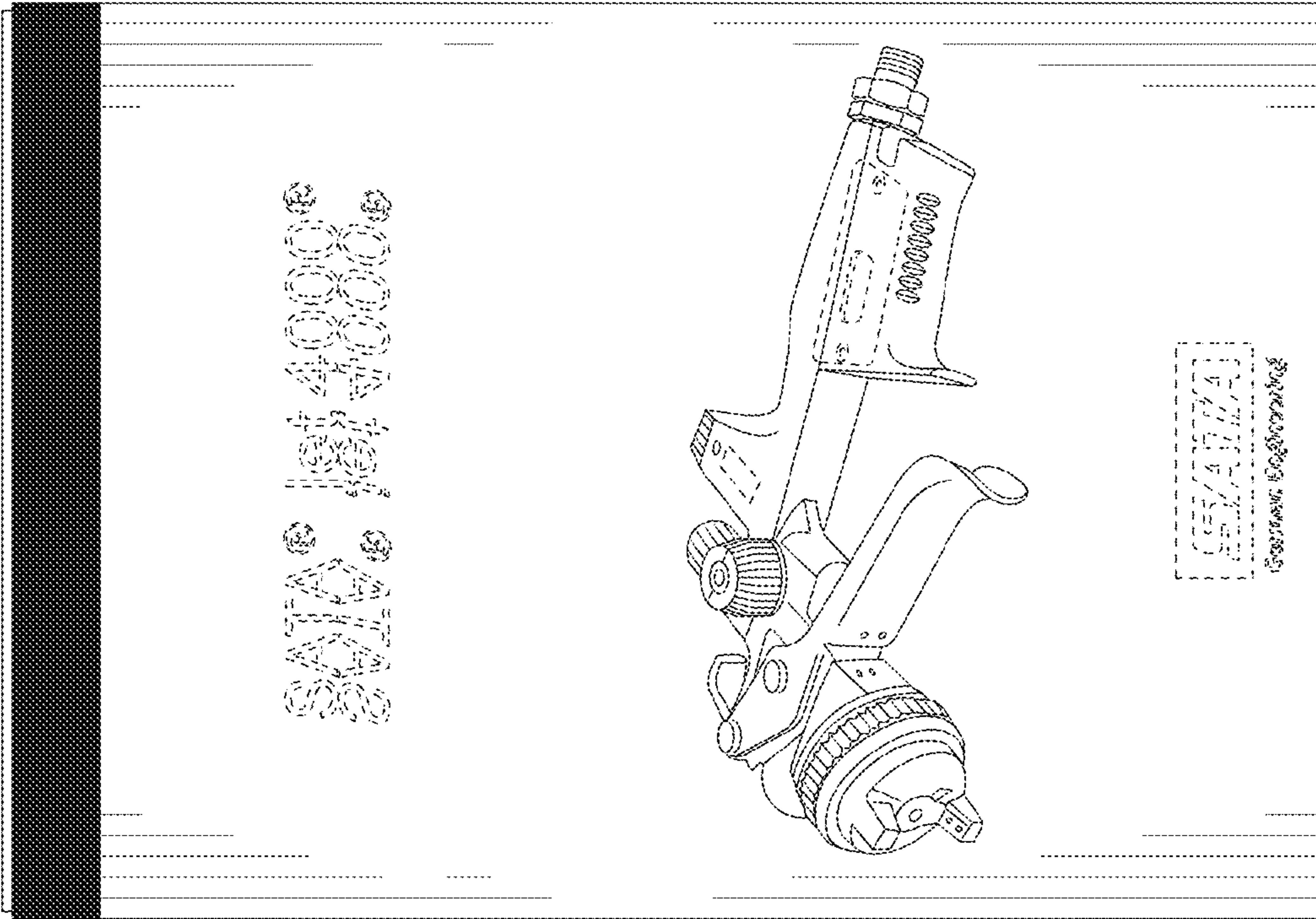


FIG. 2

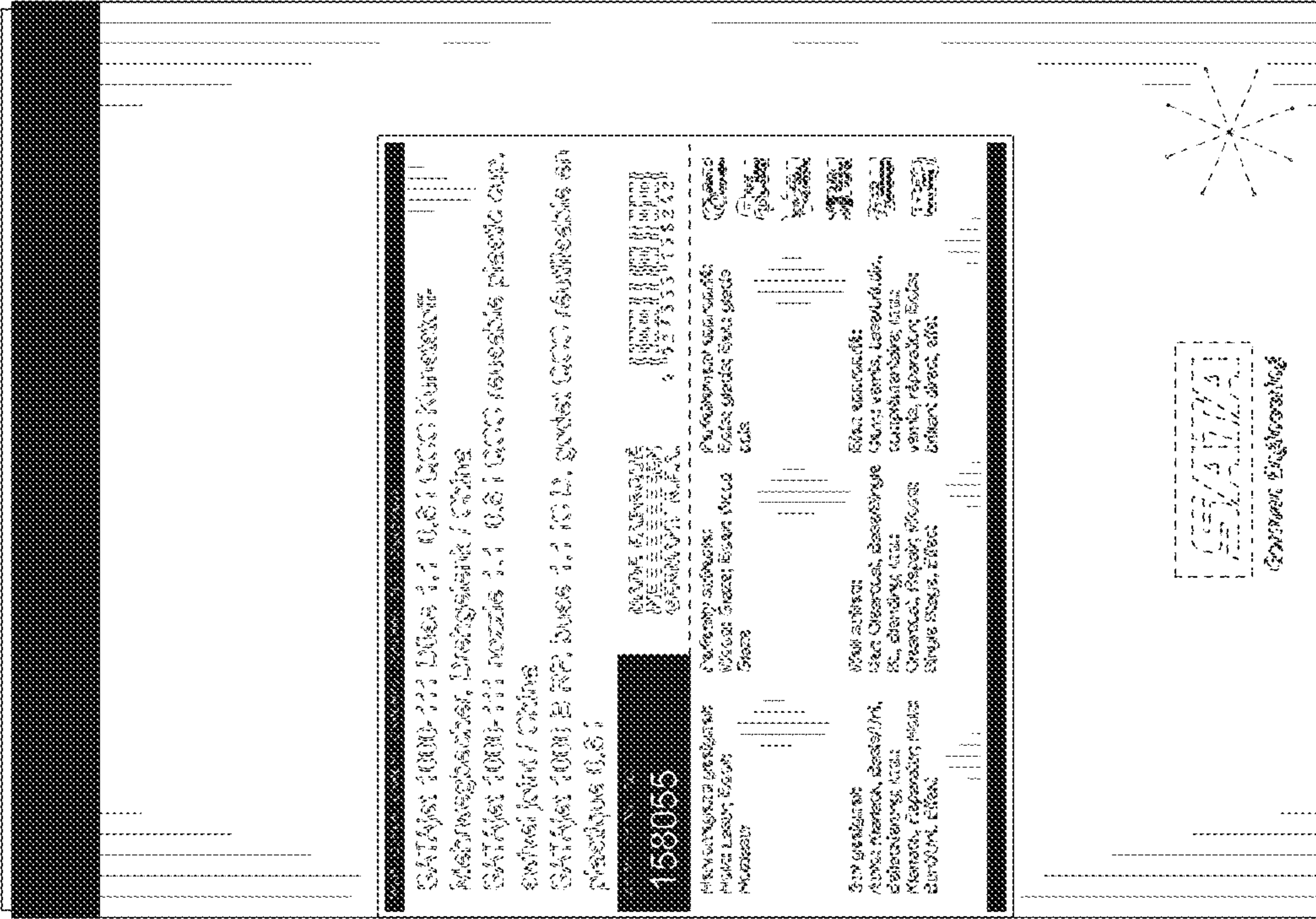


FIG. 3

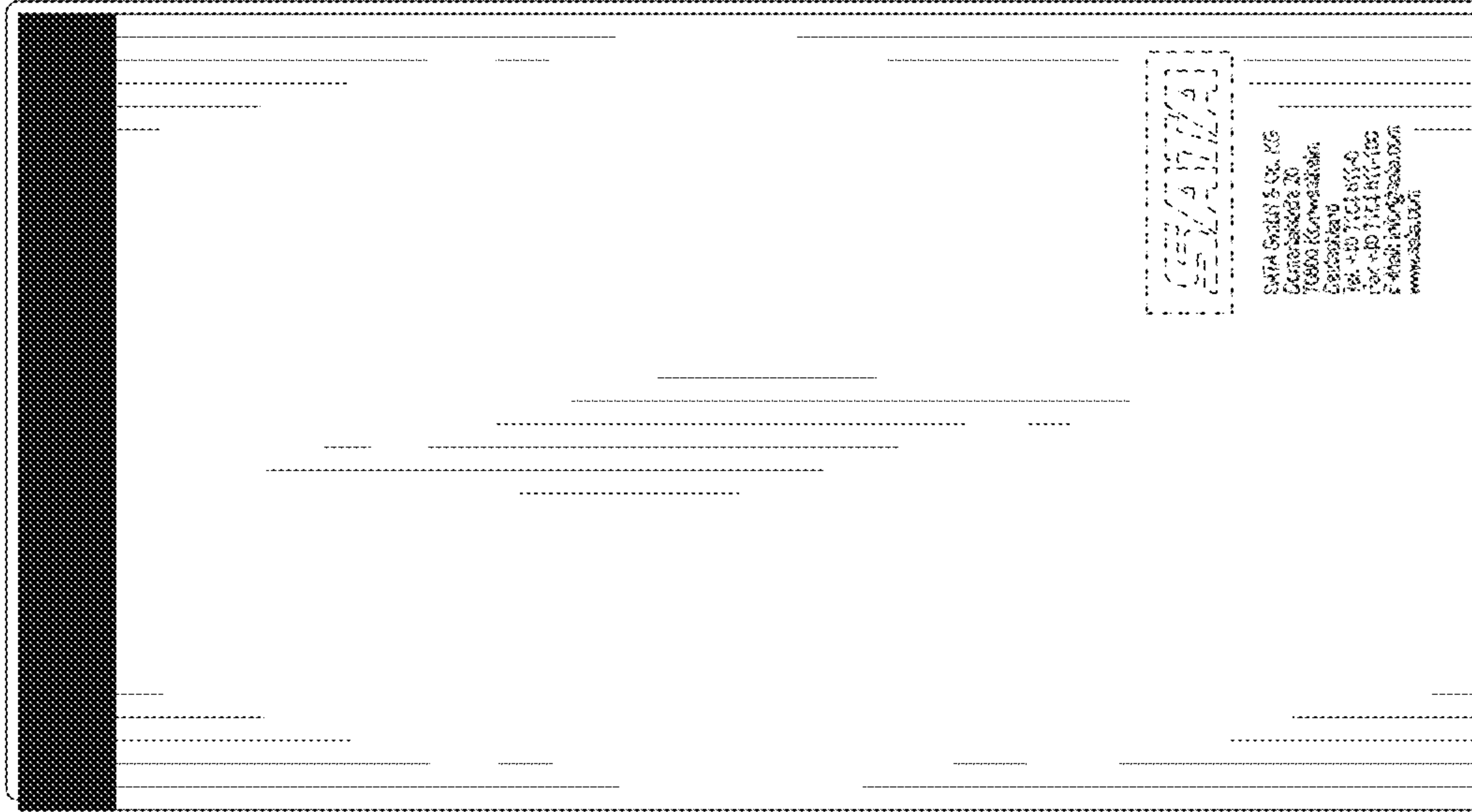


FIG. 5

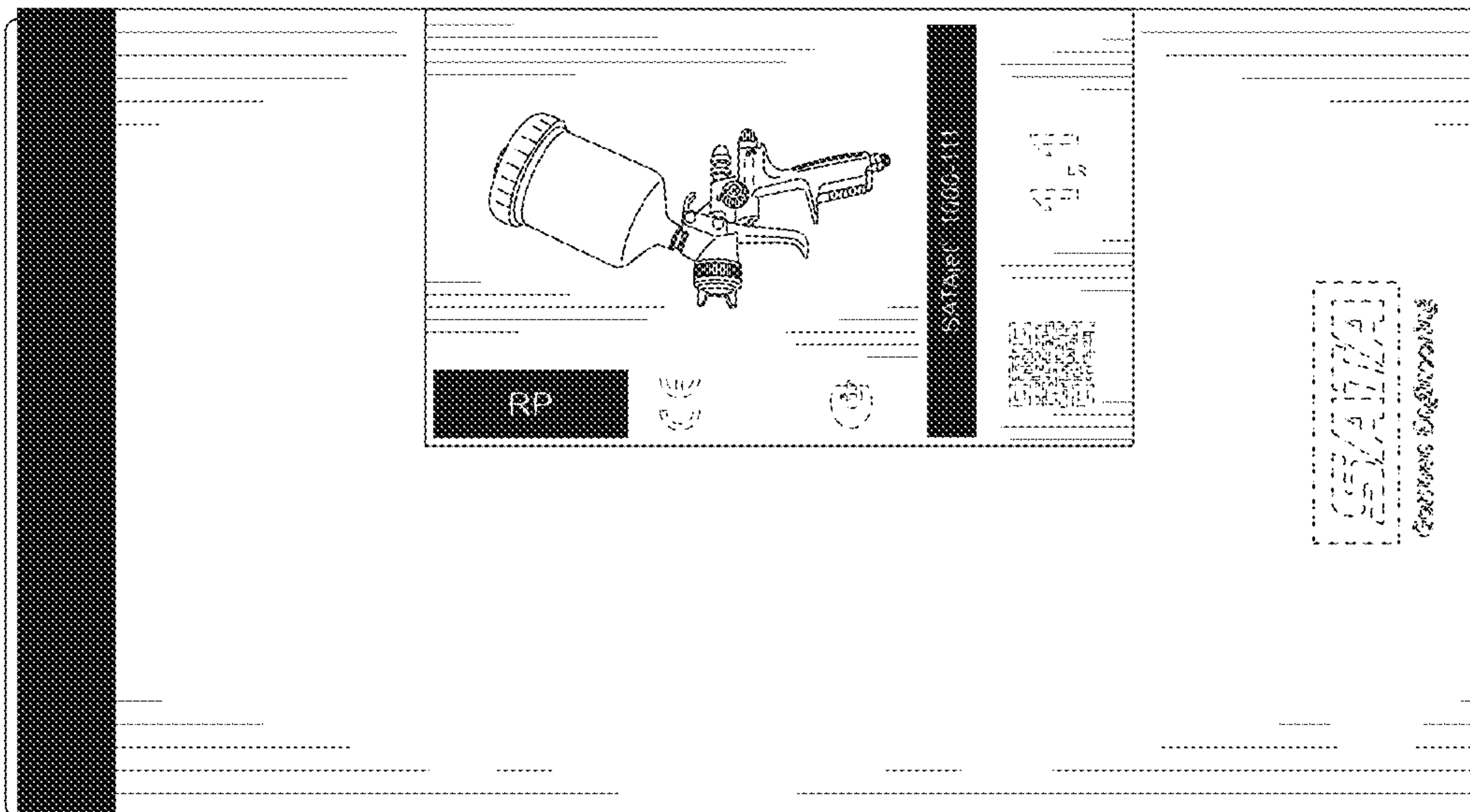


FIG. 4

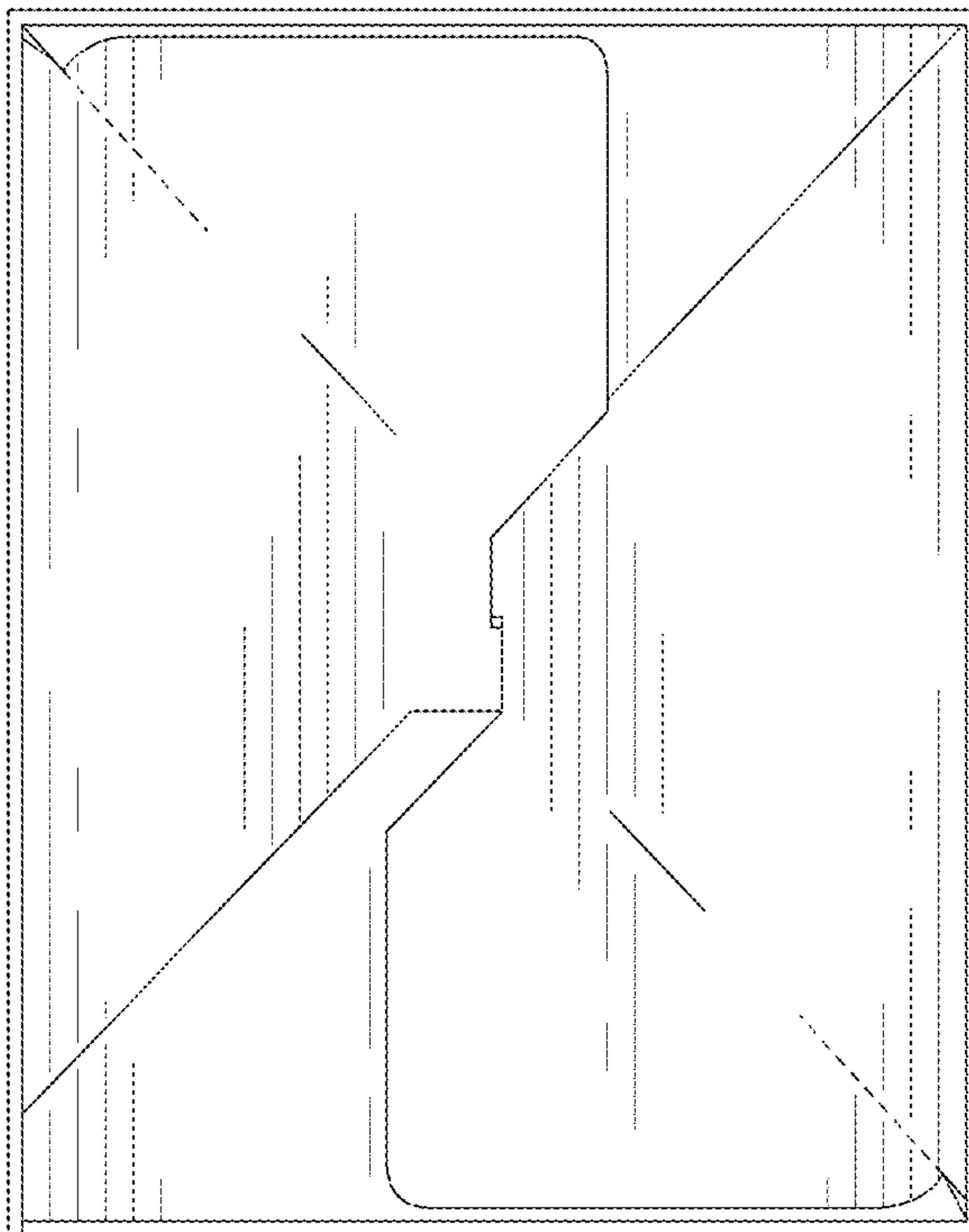


FIG. 6

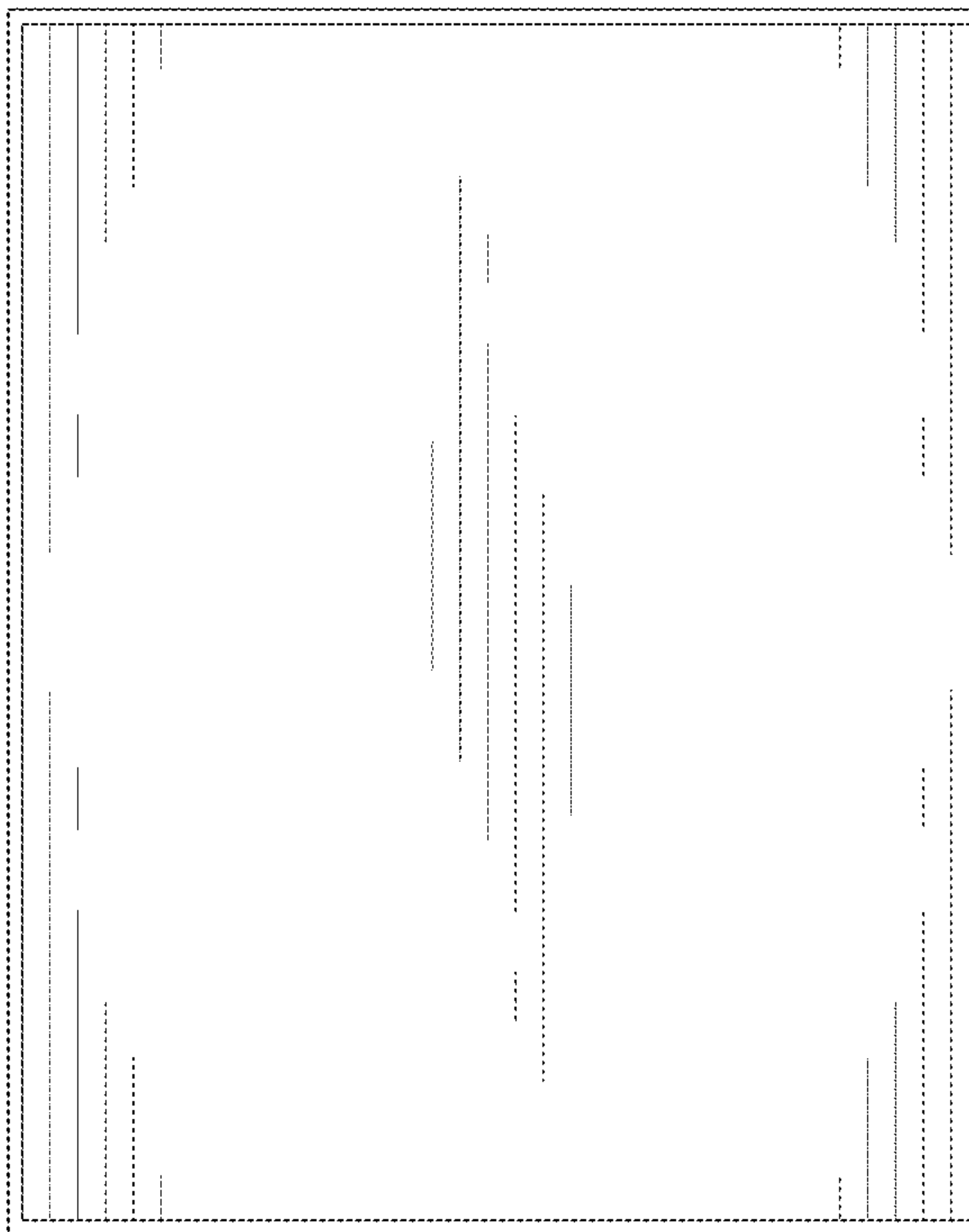


FIG. 7