



US00D756235S

(12) **United States Design Patent**
Dyer et al.

(10) **Patent No.:** **US D756,235 S**
(45) **Date of Patent:** **** May 17, 2016**

(54) **TOTTLE BOTTLE**

(71) Applicant: **EUROPEAN SUGAR HOLDINGS S.A.R.L.**, Capellen (LU)

(72) Inventors: **William Richard Dyer**, Boynton Beach, FL (US); **Mark Humphreys**, Hockley (GB); **Tamas Fuzer**, Chipstead (GB)

(73) Assignee: **European Sugar Holdings S.A.R.L.**, Capellen (LU)

(**) Term: **14 Years**

(21) Appl. No.: **29/479,658**

(22) Filed: **Jan. 17, 2014**

(51) **LOC (10) Cl.** **09-01**

(52) **U.S. Cl.**
USPC **D9/563**; D9/516; D9/520; D9/549;
D9/550; D9/552; D9/571; D9/574

(58) **Field of Classification Search**

USPC D3/202, 203.2, 901, 203; D4/116;
D7/300.1, 313, 401.1, 590-612, 619.1,
D7/769, 104, 106, 300, 507, 509, 525, 529,
D7/601, 602; D9/519, 520, 521, 522, 523,
D9/529, 530, 558, 559, 560, 563, 569, 571,
D9/574, 682, 686-689, 719, 503, 504, 516,
D9/549, 550, 552, 738; D19/93, 191;
D21/684, 525; D23/211.1-211.2, 366;
D24/121, 124, 197, 224, 216; D28/4,
D28/7, 20, 66, 73, 76, 82, 85, 88, 91.1;
215/329, 353, 354, 381-385; D27/118;
220/660, 669
CPC A61J 1/03; A61J 1/05; A47G 19/22;
A47G 19/2205; A47G 19/2266; B65D 1/02;
B65D 1/0223; B65D 1/08; B65D 1/10;
B65D 39/00; B65D 39/08; A45D 40/00;
A45D 40/0068

See application file for complete search history.

(56) **References Cited**

U.S. PATENT DOCUMENTS

2,981,431 A * 4/1961 Schluttig 215/329
D280,386 S * 9/1985 Dinand D9/574

(Continued)

OTHER PUBLICATIONS

Non-Final Office Action issued May 15, 2015 for U.S. Appl. No. 29/479,655, filed Jan. 17, 2014 (Inventor—Dyer et al.; Applicant—European Sugar Holdings; (12 pages).

(Continued)

Primary Examiner — Sheryl Lane

Assistant Examiner — Catherine Posthauer

(74) *Attorney, Agent, or Firm* — Ballard Spahr LLP

(57) **CLAIM**

The ornamental design for a tottle bottle, as shown and described.

DESCRIPTION

FIG. 1 is a perspective view of a first embodiment of a tottle bottle showing our new design;

FIG. 2 is a bottom side elevational view of the tottle bottle of FIG. 1;

FIG. 3 is a top side elevational view of the tottle bottle of FIG. 1;

FIG. 4 is a front elevational view of the tottle bottle of FIG. 1;

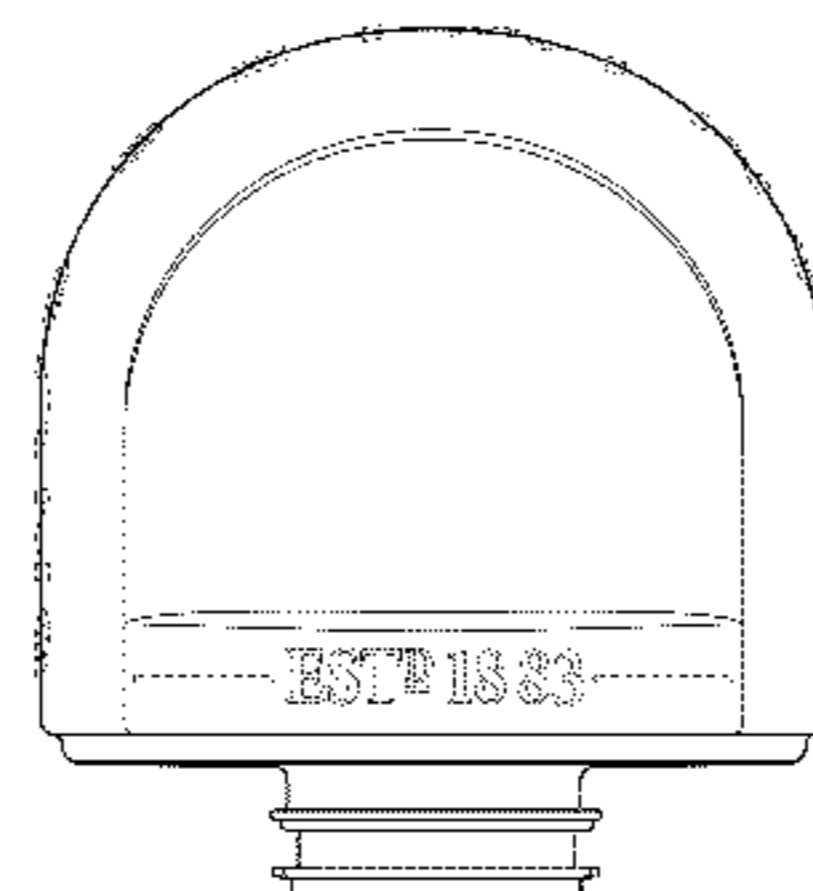
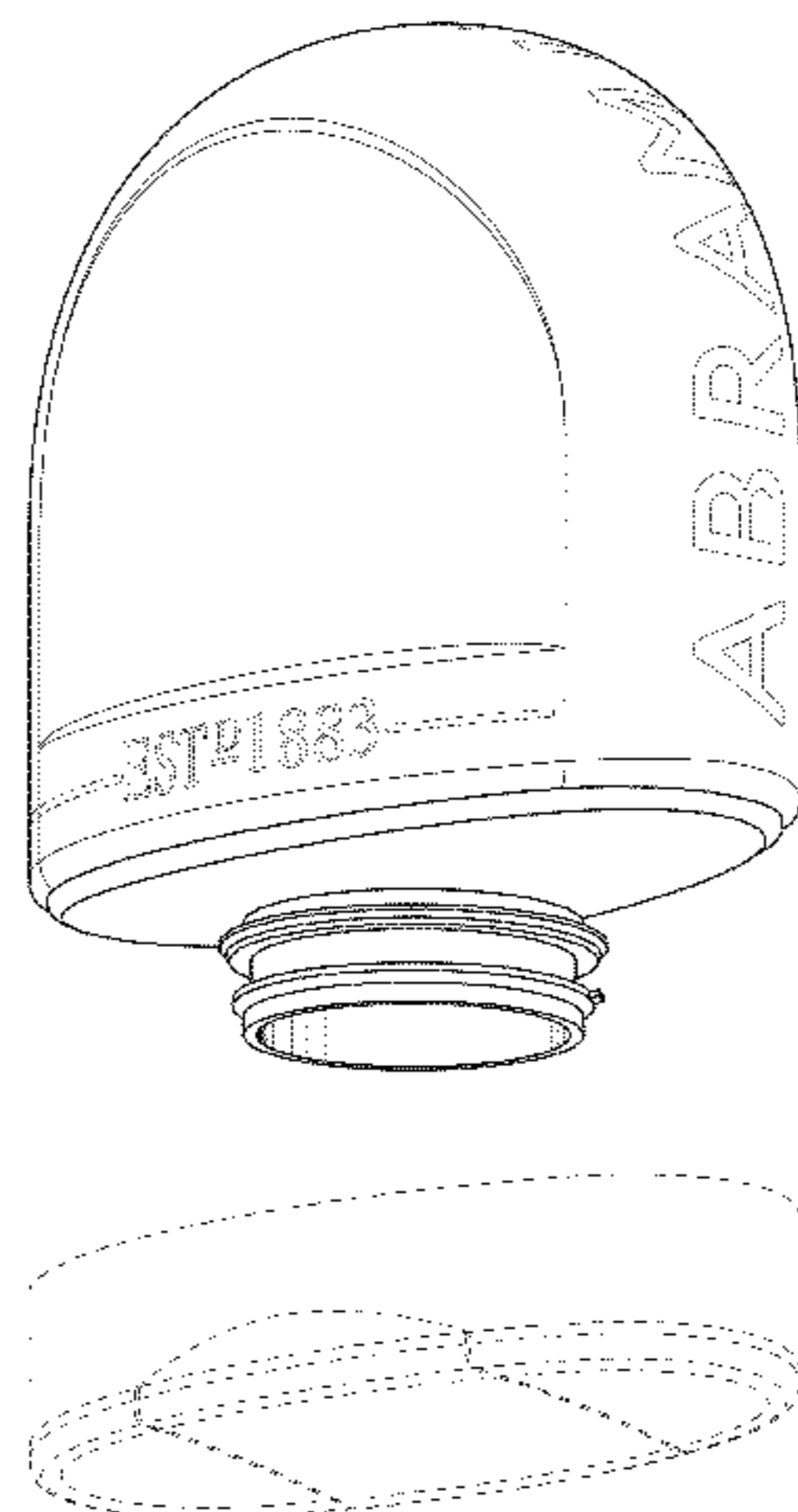
FIG. 5 is a back elevational view of the tottle bottle of FIG. 1;

FIG. 6 is a right side elevational view of the tottle bottle of FIG. 1; and,

FIG. 7 is a left side elevational view of the tottle bottle of FIG. 1.

The evenly broken lines shown in the drawings are for the purpose of illustrating portions of the tottle bottle and form no part of the claimed design. The dash-dot-dash lines define the bounds of the claim and form no part thereof.

1 Claim, 3 Drawing Sheets



(56)

References Cited

U.S. PATENT DOCUMENTS

5,201,440 A 4/1993 Gross
 D363,222 S 10/1995 Lay
 D380,355 S * 7/1997 Husted D7/679
 D403,965 S * 1/1999 Bright et al. D9/503
 D419,890 S * 2/2000 Nosella D9/571
 D438,459 S * 3/2001 Holthaus D9/728
 6,321,923 B1 11/2001 Wood
 D459,232 S 6/2002 Crawford et al.
 D480,003 S 9/2003 Blades
 D493,576 S * 7/2004 Ward D28/66
 D536,253 S * 2/2007 Howes et al. D9/529
 D538,668 S * 3/2007 Campbell et al. D9/529
 D541,923 S * 5/2007 Castillo Higareda D23/366
 D545,210 S * 6/2007 Armstrong et al. D9/563

D566,451 S * 4/2008 Wang D7/300.1
 D582,580 S * 12/2008 Spangler et al. D26/9
 D587,591 S * 3/2009 Crawford D9/563
 D625,189 S 10/2010 Dias
 D637,647 S * 5/2011 Allison et al. D19/73
 D641,627 S 7/2011 Rosenauer
 D672,654 S 12/2012 Jackel
 D711,231 S 8/2014 Pun
 D716,548 S * 11/2014 Seehoff et al. D3/264
 D720,096 S * 12/2014 McDougall D28/66

OTHER PUBLICATIONS

Notice of Allowance issued Jun. 29, 2015 for U.S. Appl. No. 29/479,662, filed Jan. 17, 2014 (Inventor—Dyer et al.; Applicant—European Sugar Holdings; (8 pages).

* cited by examiner

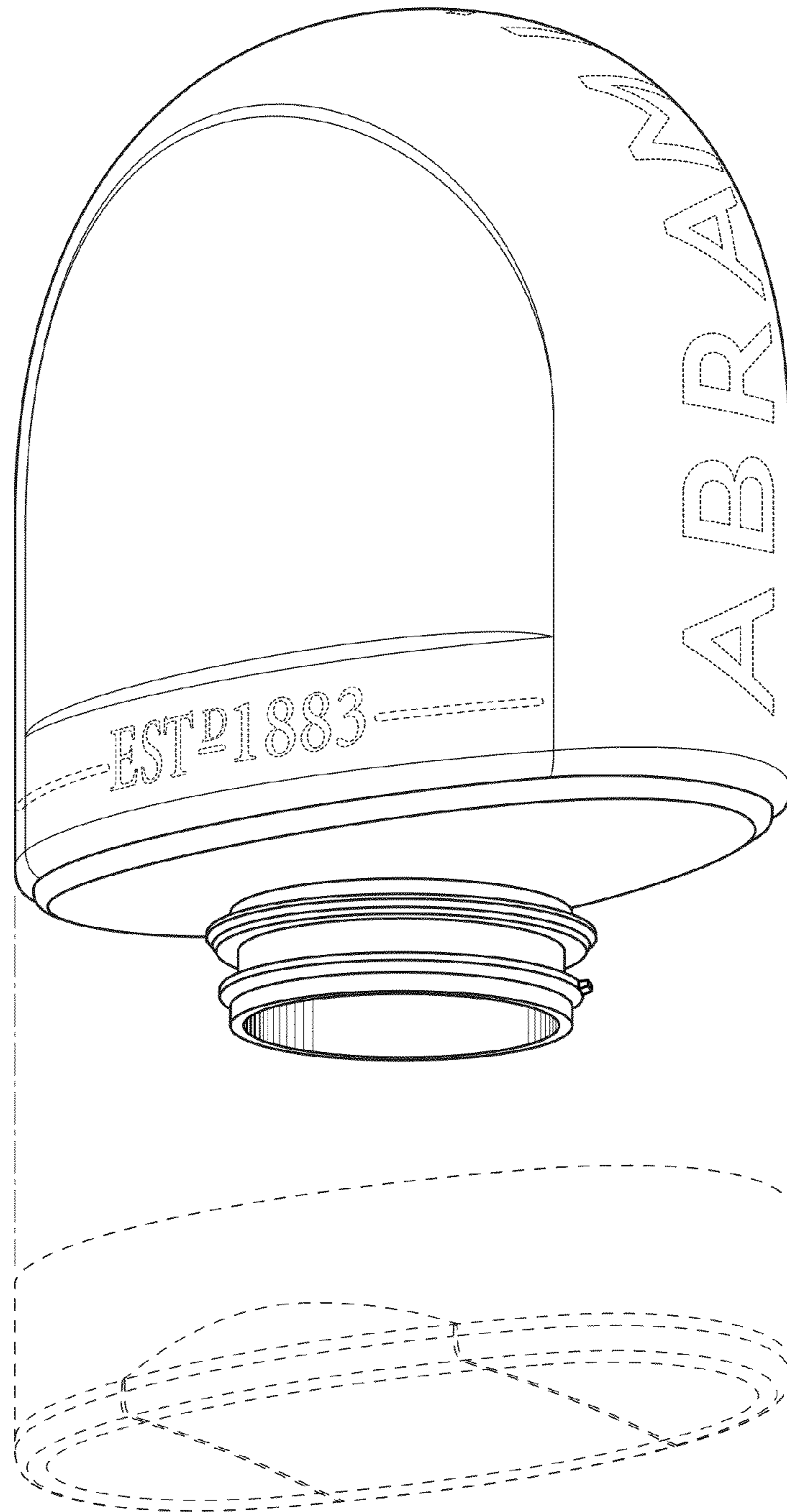


FIG. 1

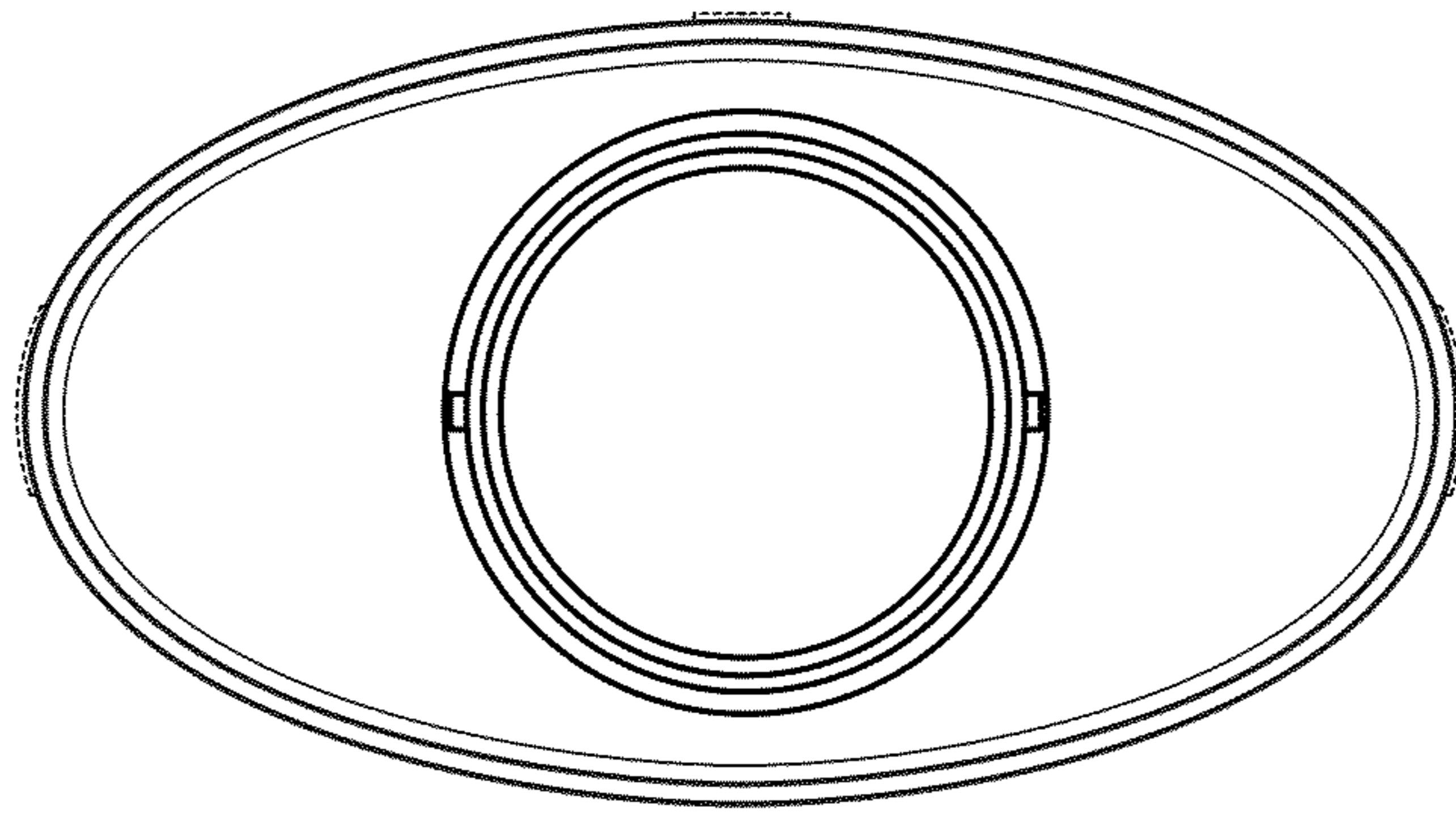


FIG. 2

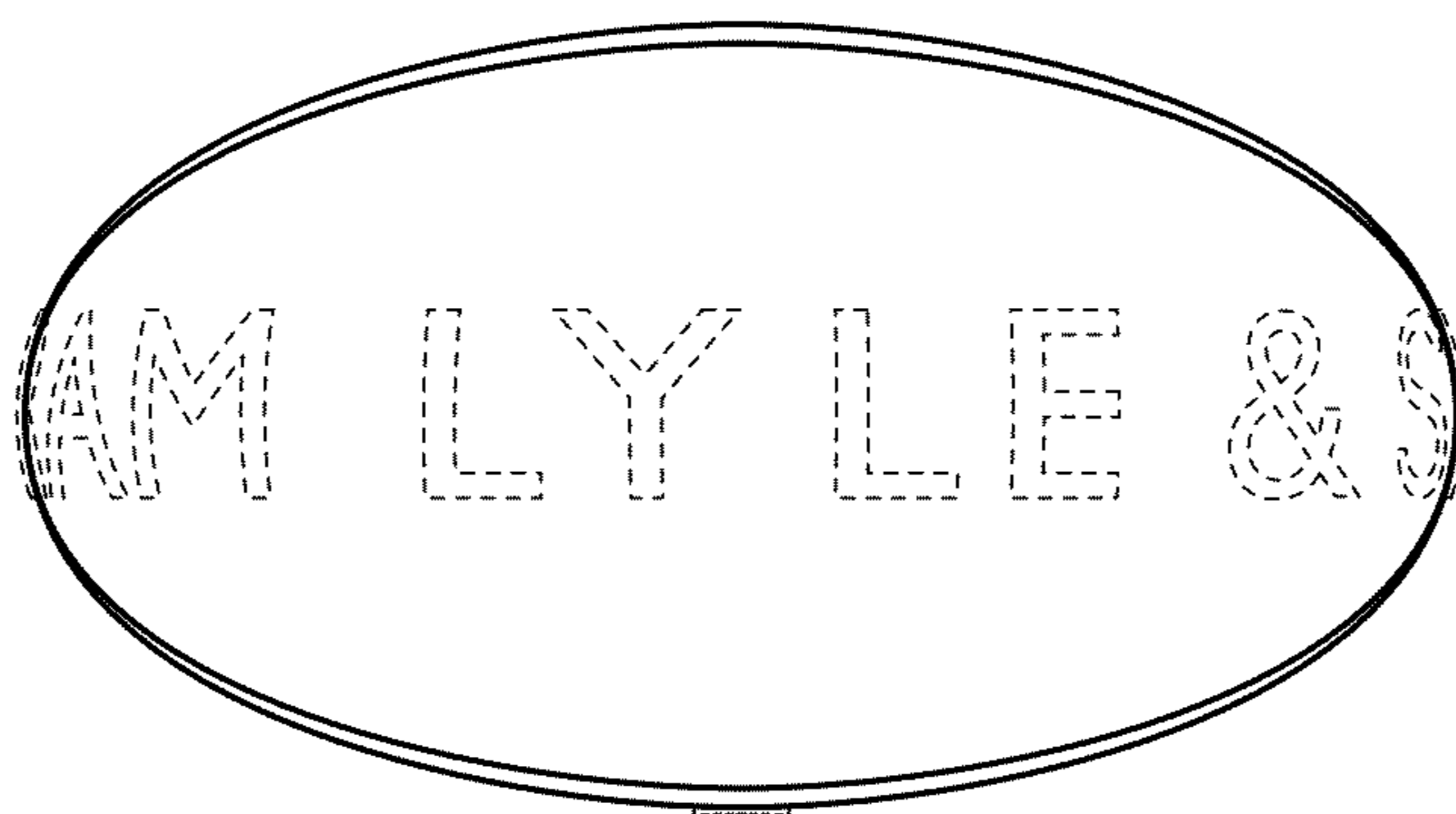


FIG. 3

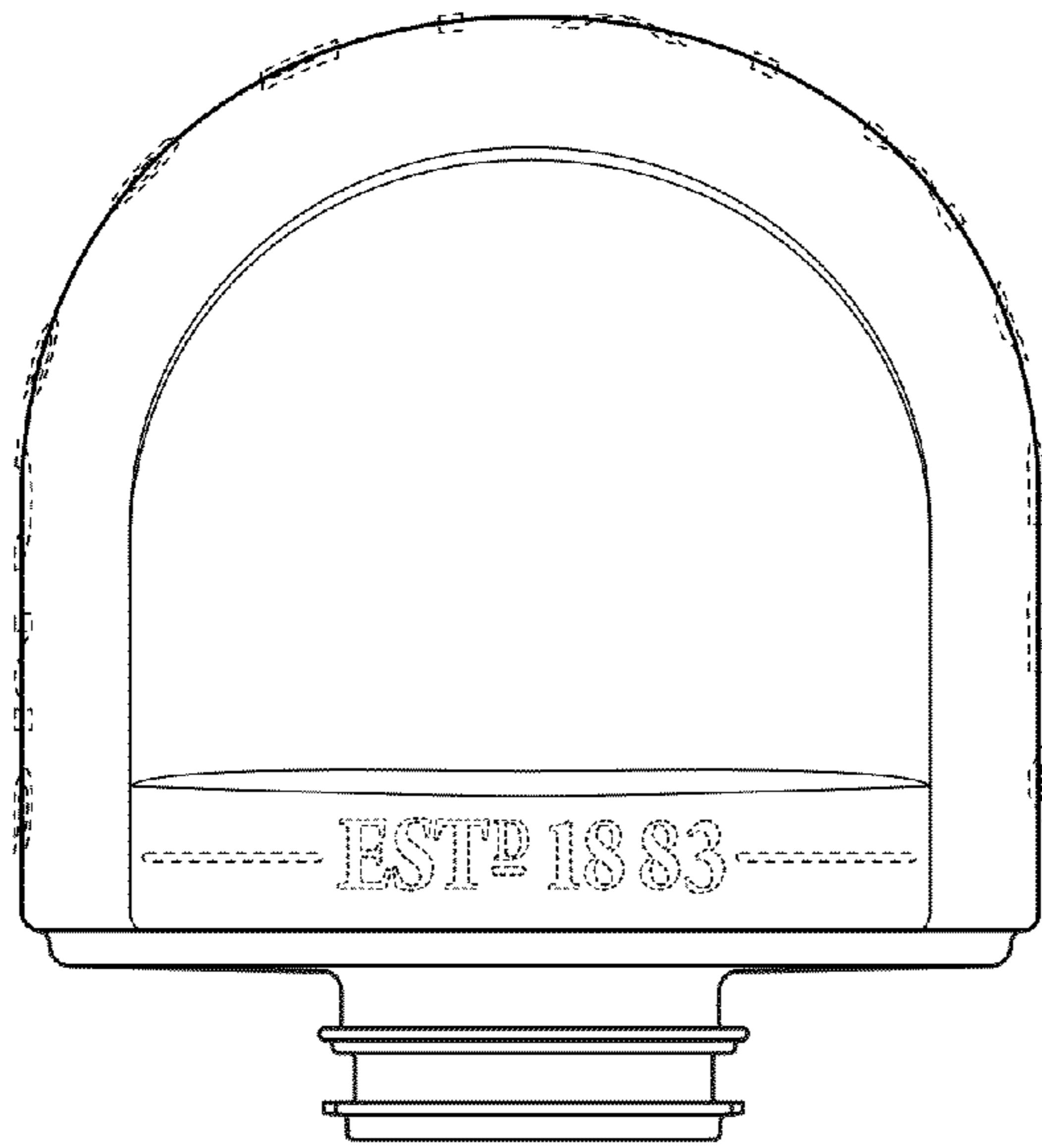


FIG. 4

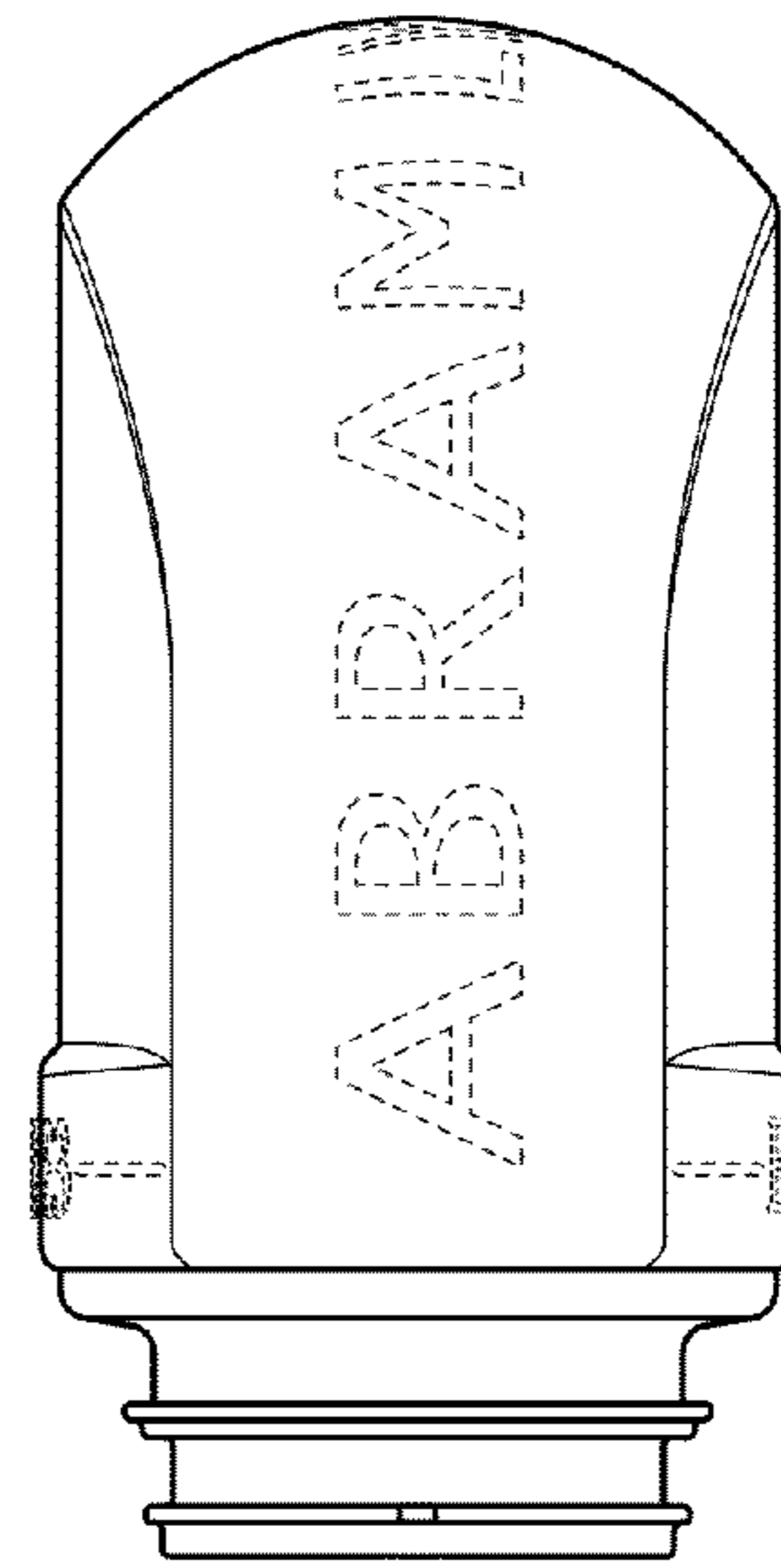


FIG. 6

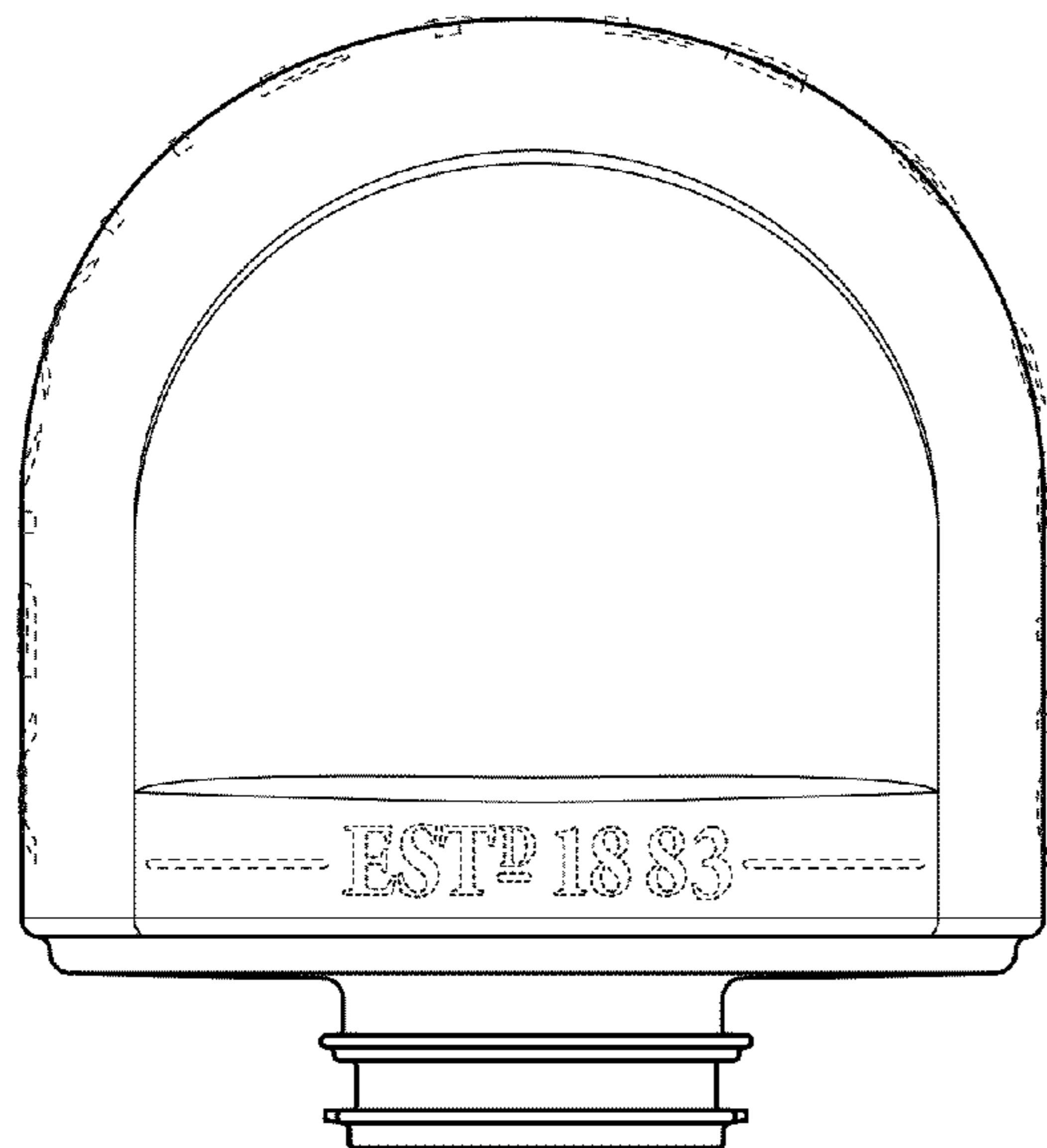


FIG. 5

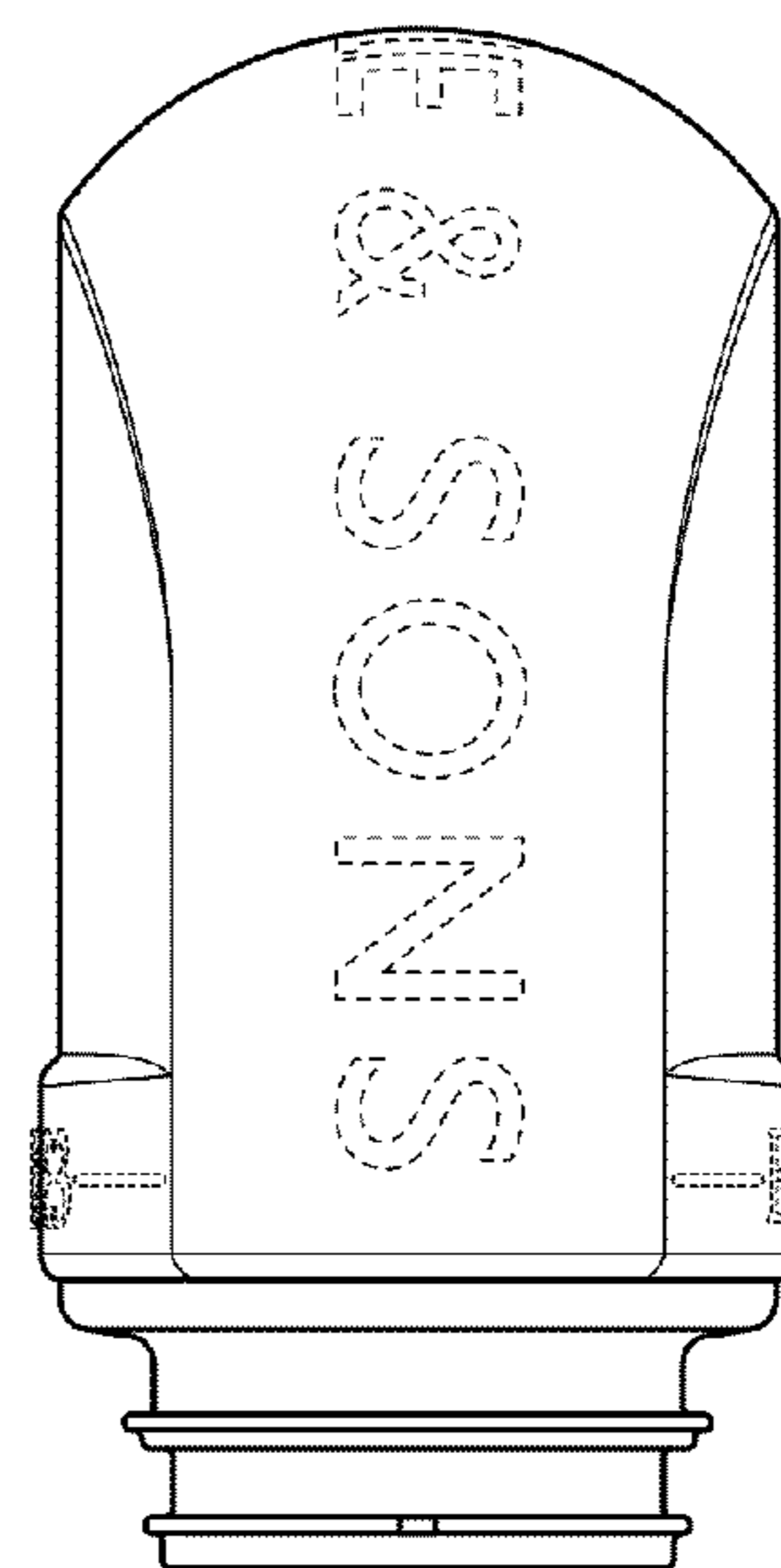


FIG. 7