



US00D756233S

(12) **United States Design Patent**  
**Romero Salido**

(10) **Patent No.:** **US D756,233 S**  
(45) **Date of Patent:** **\*\* May 17, 2016**

(54) **TWIST TOP PET BOTTLE FOR SOFTENER**

(71) Applicant: **QUIMICA GONCAL S.A. DE C.V.**,  
Monterrey (Nuevo Leon) (MX)

(72) Inventor: **Francisco Romero Salido**, Monterrey  
(MX)

(73) Assignee: **QUIMICA GONCAL S.A. DE C.V.**,  
Monterrey (Nuevo Leon) (MX)

(\*\*) Term: **14 Years**

(21) Appl. No.: **29/499,248**

(22) Filed: **Aug. 13, 2014**

(51) **LOC (10) Cl.** ..... **09-01**

(52) **U.S. Cl.**  
USPC ..... **D9/541**; D9/520; D9/542; D9/564;  
D9/565; D9/574

(58) **Field of Classification Search**

USPC ..... D9/516–575  
CPC ..... B65D 1/00; B65D 1/02; B65D 1/0207;  
B65D 1/0215; B65D 1/0223; B65D 1/023;  
B65D 1/0246; B65D 1/0261; B65D 1/0276;  
B65D 1/0284; B65D 1/0292; B65D 1/40;  
B65D 1/42; B65D 1/44; B65D 11/24; B65D  
21/086; B65D 23/00; B65D 23/102; B65D  
90/027; B65D 2501/00; B65D 2501/0009;  
B65D 2501/0018; B65D 2501/0027; B65D  
2501/0036; B65D 2501/0045; B65D  
2501/0081

See application file for complete search history.

(56) **References Cited**

**U.S. PATENT DOCUMENTS**

D412,119 S \* 7/1999 Guertin ..... D9/520  
D491,071 S \* 6/2004 Degeyter ..... D9/565  
D508,854 S \* 8/2005 Livingston ..... D9/516  
D533,071 S \* 12/2006 Forget ..... D9/564

D572,143 S \* 7/2008 Laupie ..... D9/538  
D591,156 S \* 4/2009 George ..... D9/516  
D611,356 S \* 3/2010 Kaminski ..... D9/563  
D616,762 S \* 6/2010 Caldwell ..... D9/538  
D629,304 S \* 12/2010 El Aquah ..... D9/520  
D632,182 S \* 2/2011 Russell ..... D9/560  
8,556,098 B2 \* 10/2013 Peykoff ..... B65D 23/00  
215/381  
8,561,822 B2 \* 10/2013 Beck ..... B65D 1/44  
215/370  
2008/0047923 A1 \* 2/2008 Zoppas ..... B65D 1/0223  
215/371  
2011/0132916 A1 \* 6/2011 Uptergrove ..... B65D 1/0223  
220/675  
2014/0183156 A1 \* 7/2014 Hanan ..... B65D 1/0284  
215/382  
2014/0197127 A1 \* 7/2014 Lane ..... B65D 1/0284  
215/371

**FOREIGN PATENT DOCUMENTS**

GB 2039567 \* 11/1994

\* cited by examiner

*Primary Examiner* — Catherine Tuttle

(74) *Attorney, Agent, or Firm* — Lucas & Mercanti, LLP

(57) **CLAIM**

The ornamental design for a twist top pet bottle for softener, as shown and described.

**DESCRIPTION**

FIG. 1 is a top perspective view of the twist top pet bottle for softener showing my new design;

FIG. 2 is a bottom perspective view thereof;

FIG. 3 is a front view thereof;

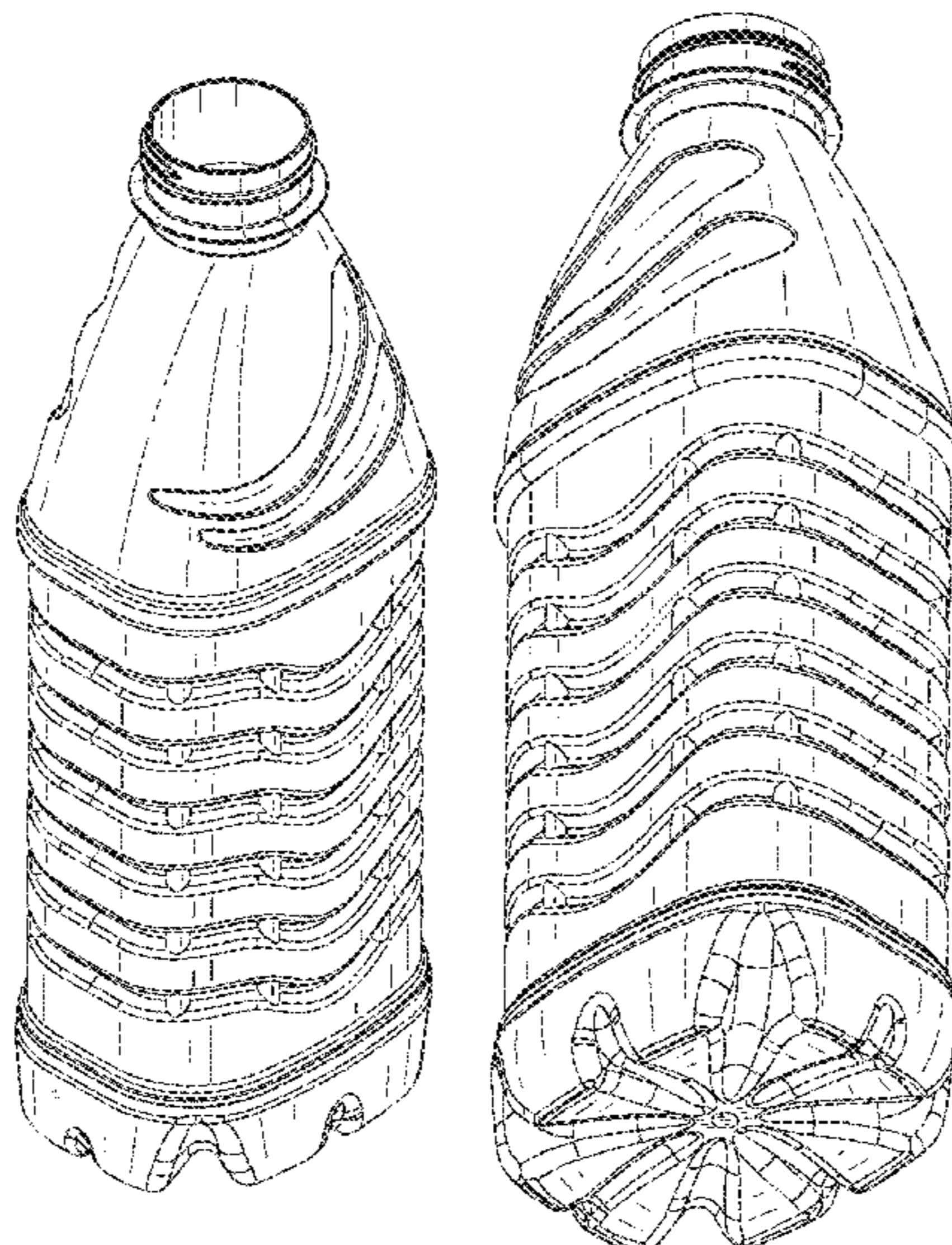
FIG. 4 is a side view thereof;

FIG. 5 is a top view thereof; and,

FIG. 6 is a bottom view thereof.

The appearance within the unshaded central circular region of FIG. 5 forms no part of the claimed design.

**1 Claim, 4 Drawing Sheets**



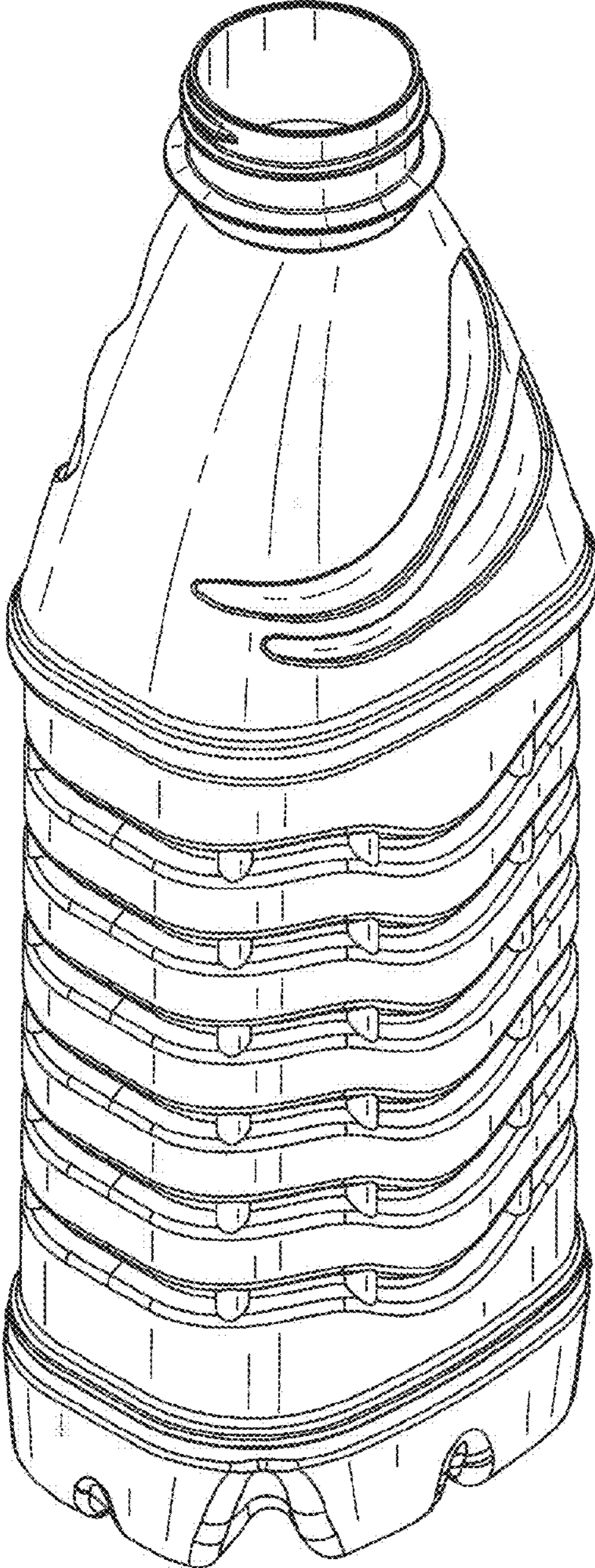


FIG. 1



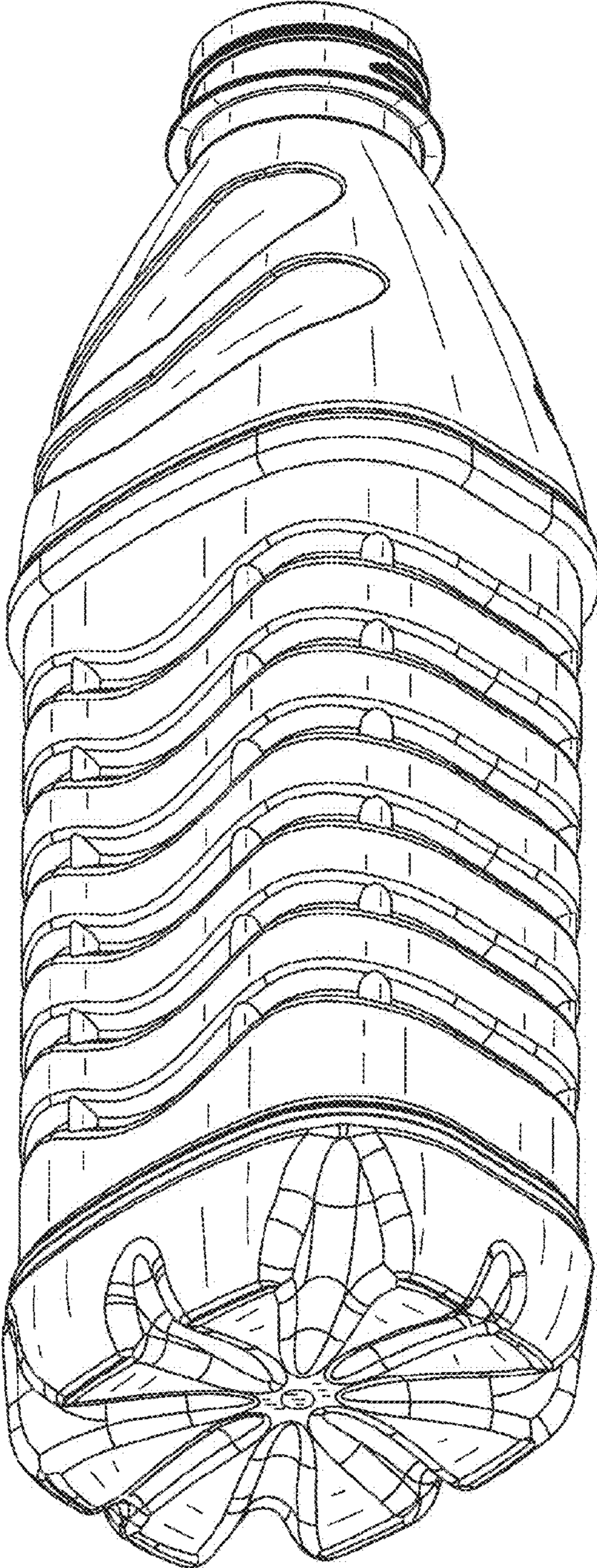


FIG. 2

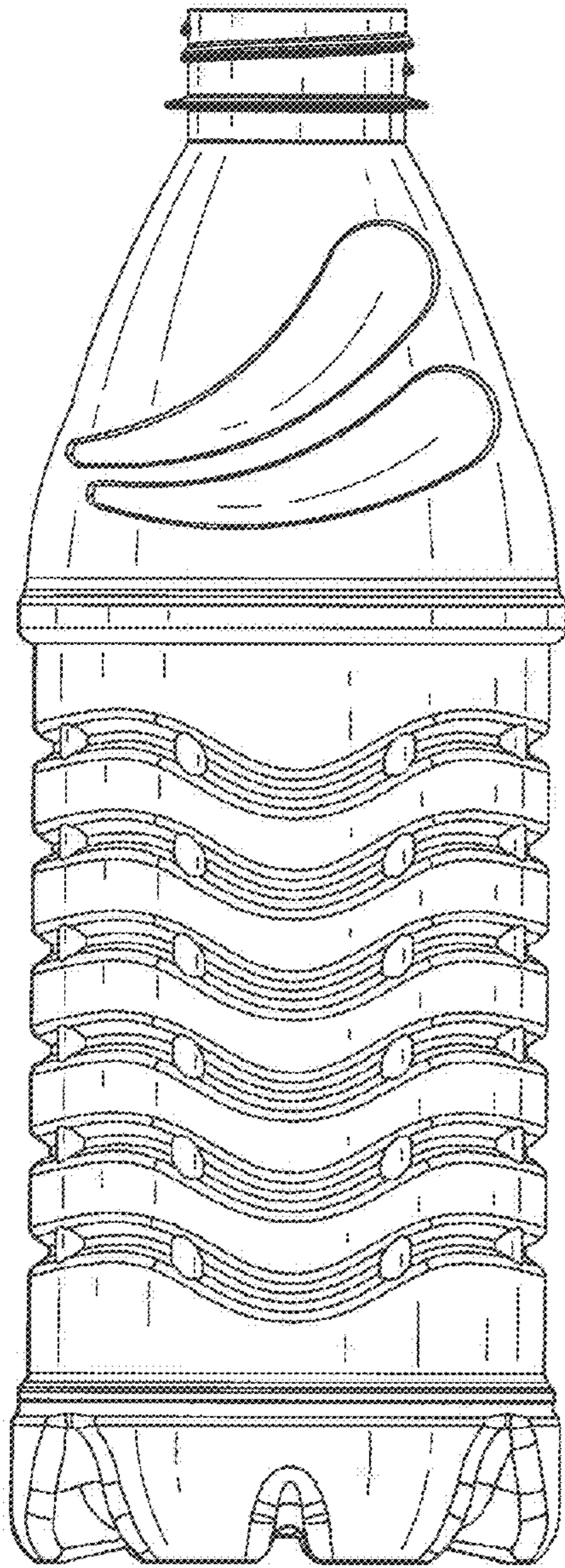


FIG. 3

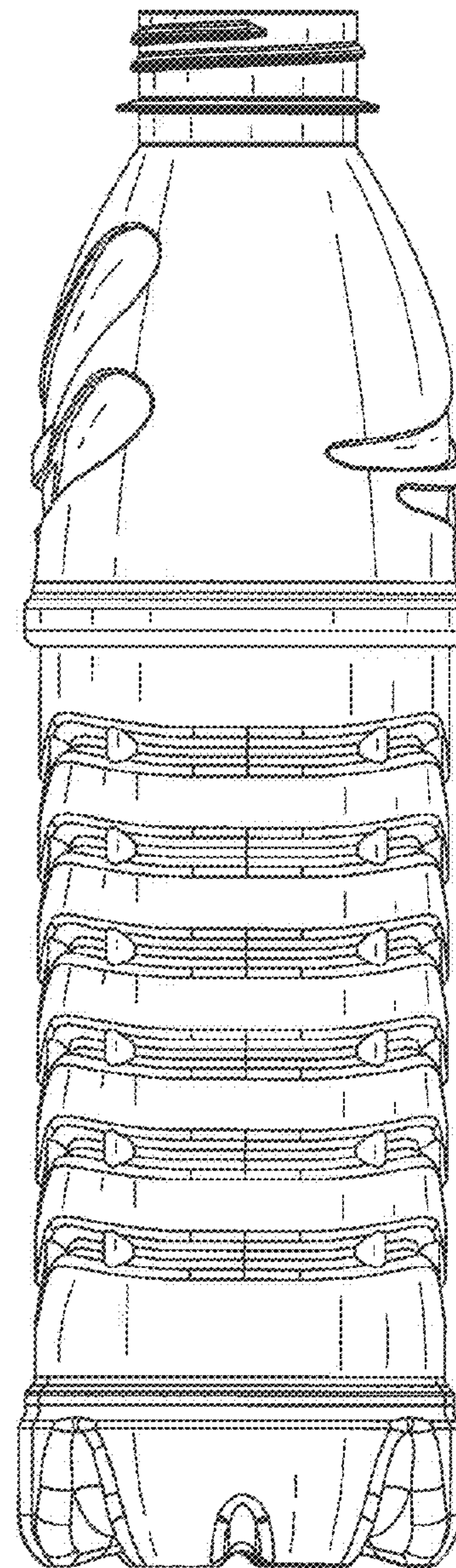


FIG. 4



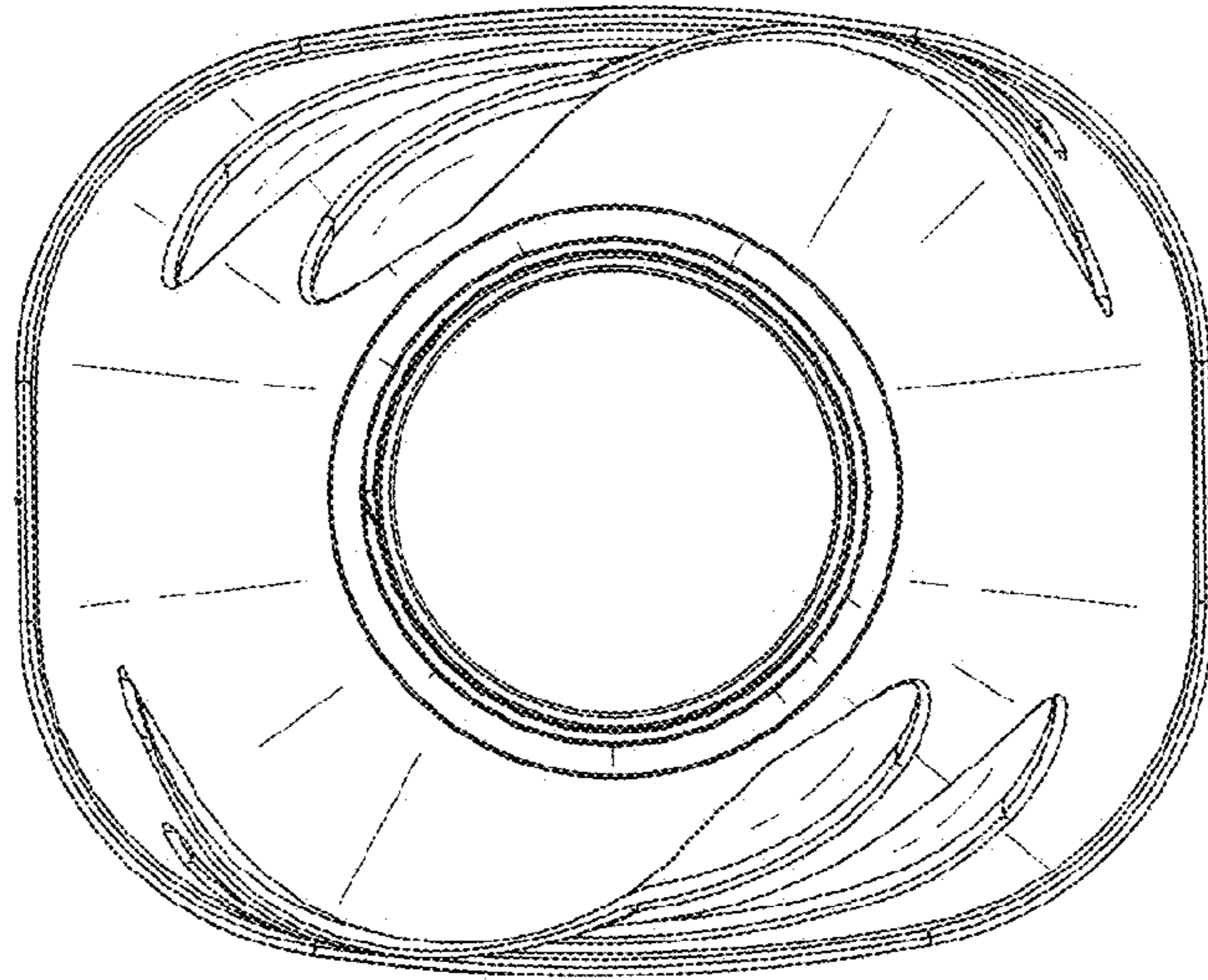


FIG. 5

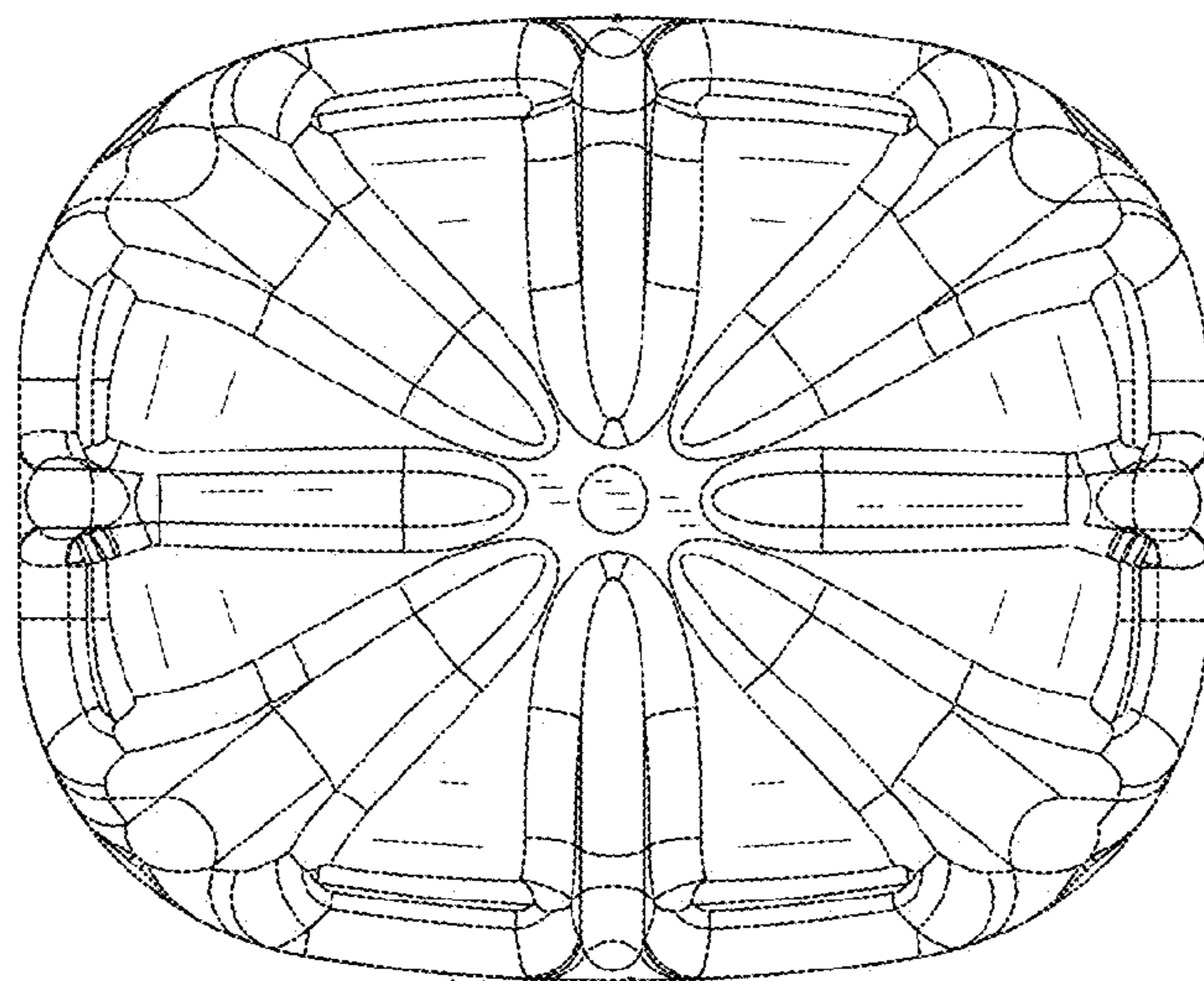


FIG. 6