



US00D756231S

(12) **United States Design Patent**
Zweifel et al.

(10) **Patent No.:** **US D756,231 S**

(45) **Date of Patent:** **** May 17, 2016**

(54) **BOTTLE**
(71) Applicant: **ALPHA CONSOLIDATED HOLDINGS INC., St. Louis, MO (US)**
(72) Inventors: **James A. Zweifel, Seville, OH (US); John Fortune, Ballwin, MO (US); Danielle Keegan, St Louis, MO (US); Jay Z. Yuan, Mason, OH (US); Xinzhong Zhang, Mason, OH (US)**

(73) Assignee: **ALPHA CONSOLIDATED HOLDINGS INC., St. Louis, MO (US)**

(**) Term: **14 Years**

(21) Appl. No.: **29/467,335**

(22) Filed: **Sep. 18, 2013**

(51) **LOC (10) Cl.** **09-01**

(52) **U.S. Cl.**
USPC **D9/530**

(58) **Field of Classification Search**
USPC D7/300, 317, 318, 321, 387, 396.1, D7/396.2, 500, 507, 509, 510, 511, 523, D7/533, 534, 538, 540, 543, 547, 560, 584, D7/601, 602, 619.1, 622, 629, 630; D9/516, 519, 520, 527, 528, 529, 530, D9/531, 533, 535, 537, 549, 551, 553, 559, D9/564, 738, 742, 746; 215/44, 329, 398; 220/675, 771

See application file for complete search history.

(56) **References Cited**

U.S. PATENT DOCUMENTS

3,343,698 A 9/1967 Anderson et al.
D306,969 S * 4/1990 Alberghini et al. D9/540
5,564,583 A 10/1996 Kelley et al.
D385,497 S * 10/1997 Krishnakumar et al. D9/543

D393,210 S * 4/1998 Ewing, Jr. D9/543
D472,813 S * 4/2003 Wright D9/530
D472,814 S * 4/2003 Wright D9/530
D472,816 S * 4/2003 Wright D9/543
6,716,386 B2 4/2004 Saito et al.
6,726,044 B1 4/2004 Deubel et al.
6,749,075 B2 6/2004 Bourque et al.
D532,693 S * 11/2006 Steih et al. D9/516
D699,584 S * 2/2014 Hall D9/667
D703,540 S * 4/2014 Yourist et al. D9/538
D703,541 S * 4/2014 Yourist et al. D9/541
D706,638 S * 6/2014 Fleischhacker et al. D9/556
2002/0162821 A1 11/2002 Saito et al.
2003/0042222 A1 * 3/2003 Wurster et al. 215/379
2006/0180568 A1 8/2006 Lane
2008/0083695 A1 4/2008 Nievierowski
2011/0049086 A1 3/2011 Boiros
2011/0220607 A1 9/2011 Mukunoki
2012/0318767 A1 12/2012 Burgess et al.
2014/0231442 A1 * 8/2014 Hill et al. 220/740

OTHER PUBLICATIONS

Korean Intellectual Property Office; International Search Report for PCT/US2014/047961, dated Nov. 28, 2014, 3 pages.

(Continued)

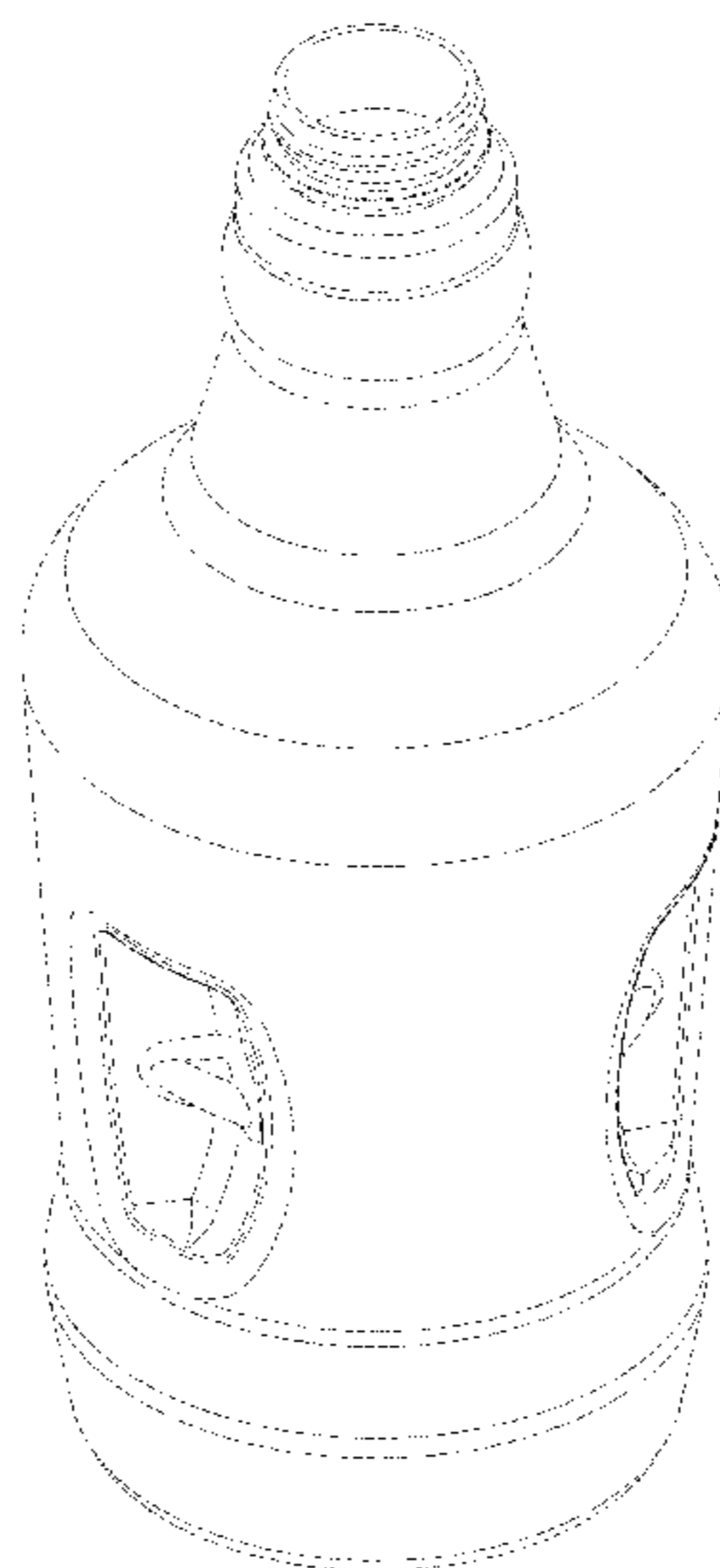
Primary Examiner — Susan Bennett Hattan
Assistant Examiner — Leanne Was
(74) *Attorney, Agent, or Firm* — Dorsey & Whitney LLP

(57) **CLAIM**
The ornamental design of a bottle, as shown and described.

DESCRIPTION

FIG. 1 is a back perspective view of a bottle;
FIG. 2 is a back view thereof;
FIG. 3 is a right side view thereof; and,
FIG. 4 is a left side view thereof.
The broken lines depict portions of the bottle that form no part of the claimed design.

1 Claim, 4 Drawing Sheets



(56)

References Cited

OTHER PUBLICATIONS

Korean Intellectual Property Office; Written Opinion of the International Searching Authority for PCT/US2014/047961, dated Nov. 28, 2014, 19 pages.

Alpha Packaging, Brochure: "Alpha Packaging Cleveland Stock Product Catalog, High-Quality Plastic Bottles and Jars", published at least as early as Jun. 10, 2013, 24 pages.

* cited by examiner

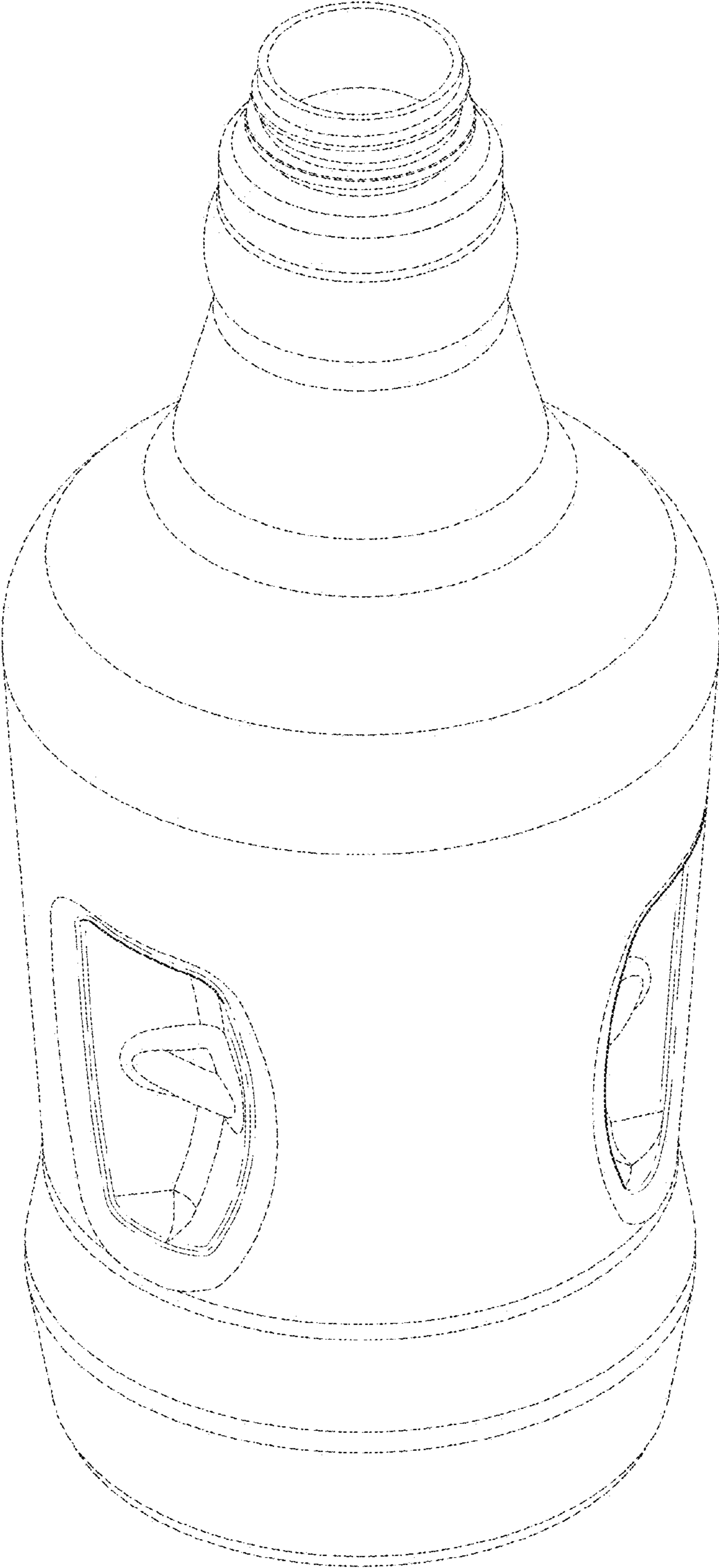


FIG. 1

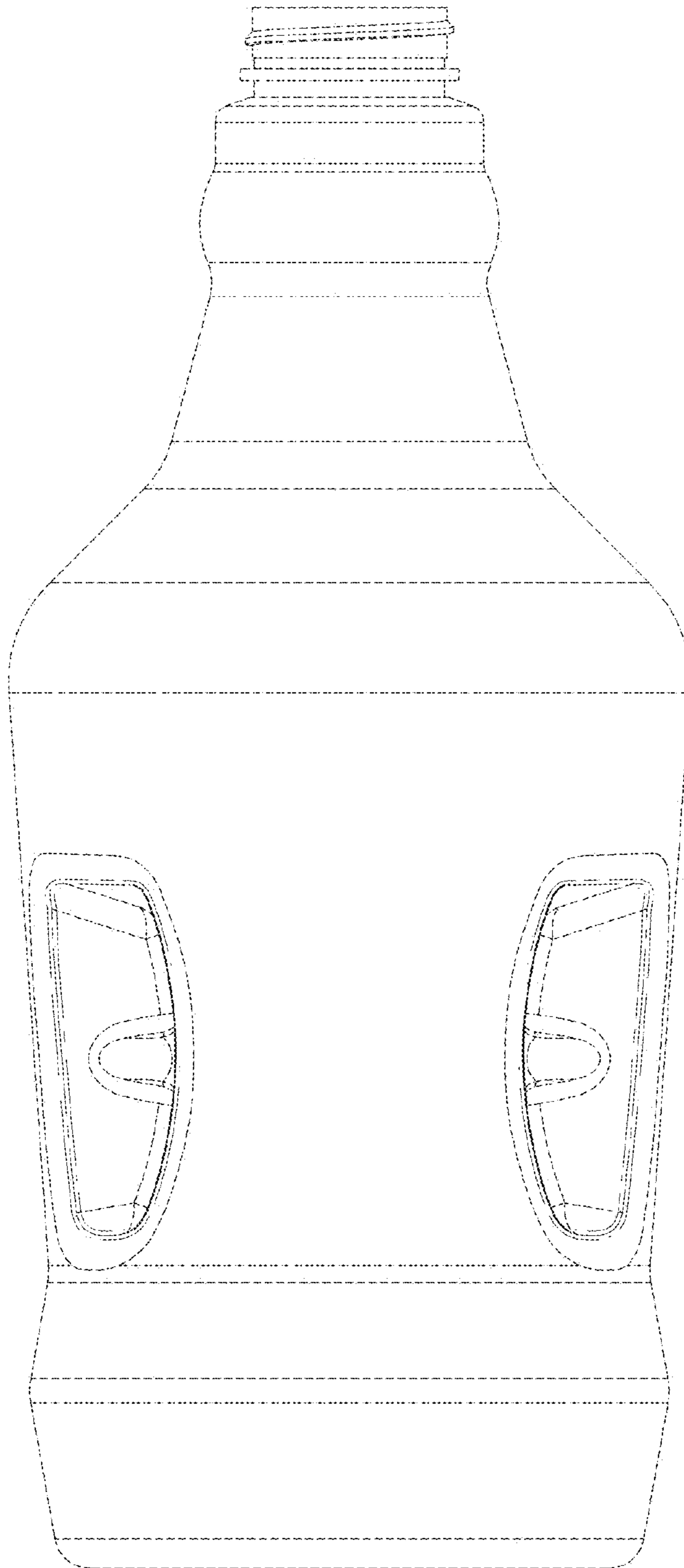


FIG. 2

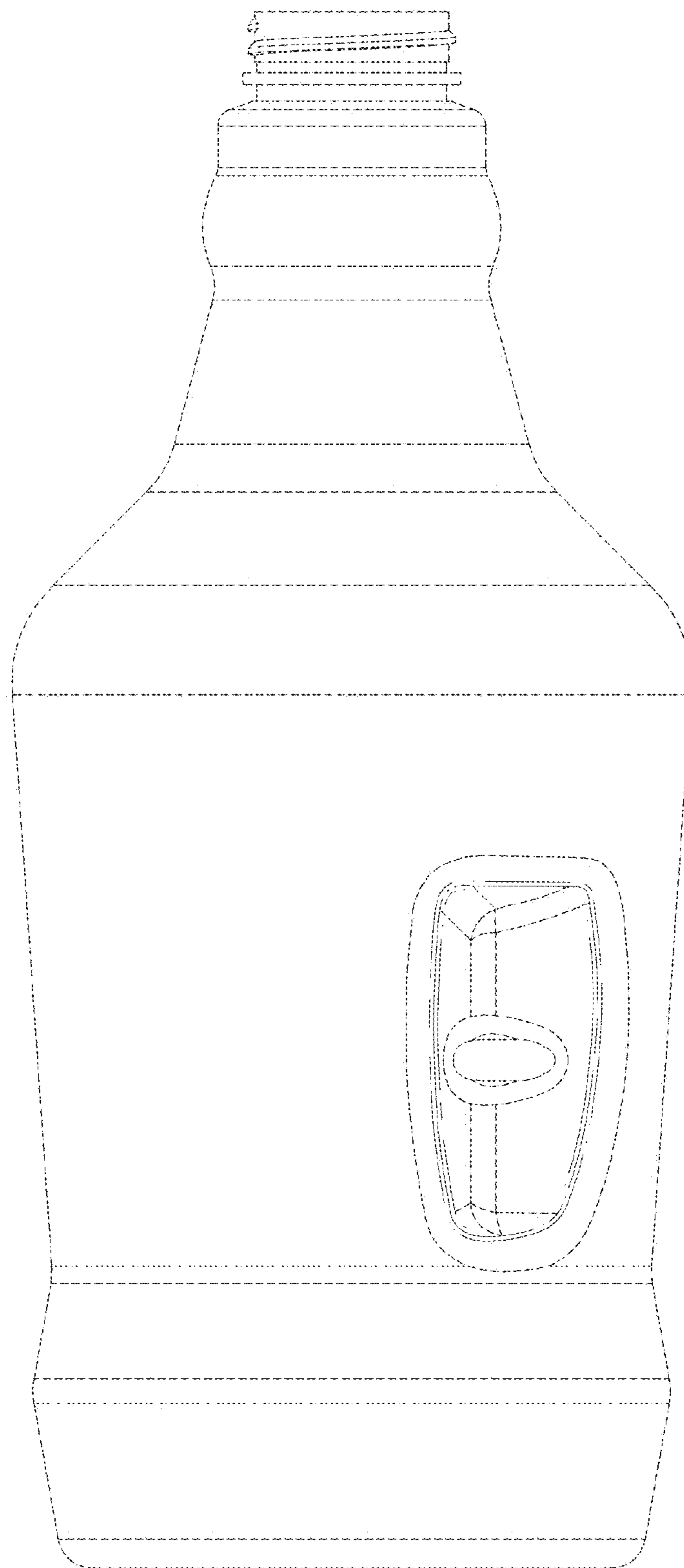


FIG. 3

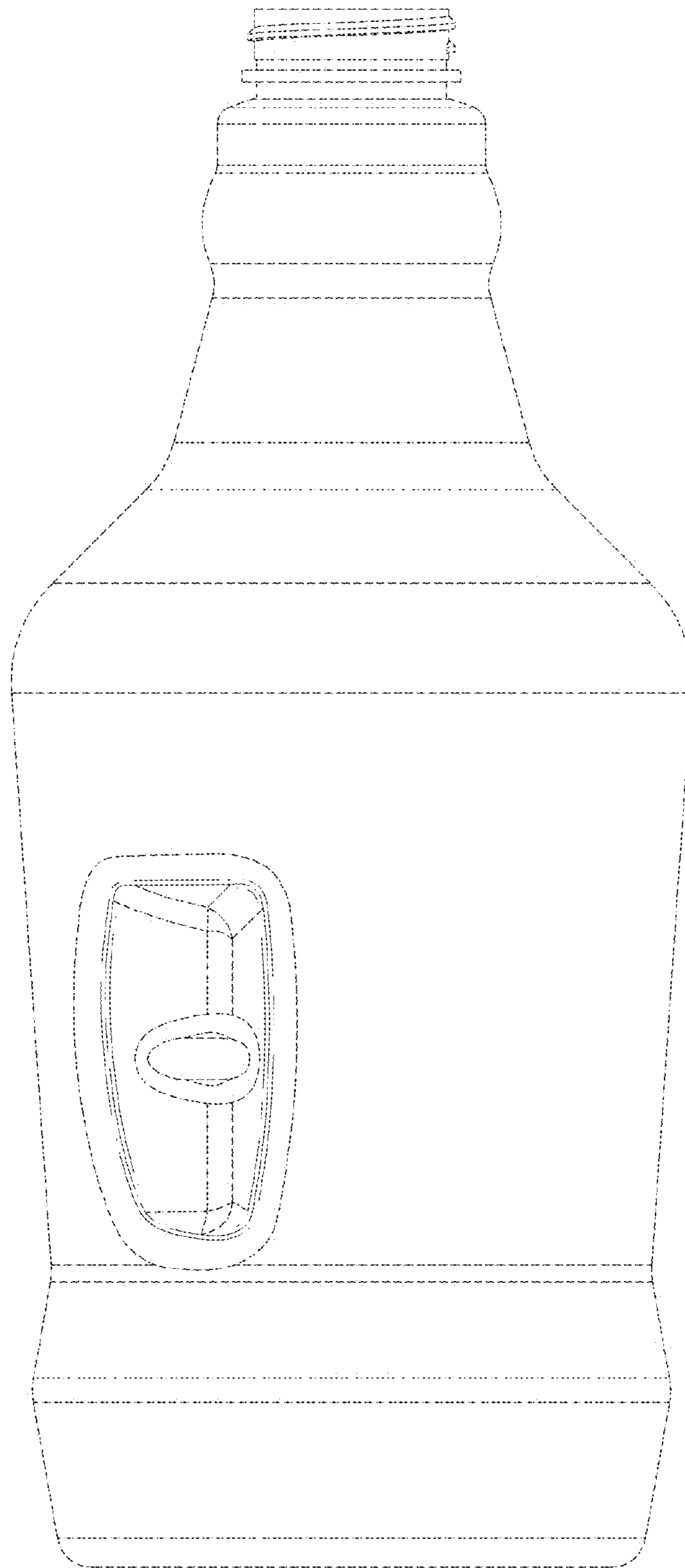


FIG. 4