



US00D756229S

(12) **United States Design Patent**  
**Zweifel et al.**

(10) **Patent No.:** **US D756,229 S**  
(45) **Date of Patent:** **\*\* May 17, 2016**

(54) **BOTTLE**

(71) Applicant: **ALPHA CONSOLIDATED HOLDINGS INC.**, St. Louis, MO (US)

(72) Inventors: **James A. Zweifel**, Seville, OH (US);  
**John Fortune**, Ballwin, MO (US);  
**Danielle Keegan**, St. Louis, MO (US);  
**Jay Z. Yuan**, Mason, OH (US);  
**Xinzhong Zhang**, Mason, OH (US)

(73) Assignee: **ALPHA CONSOLIDATED HOLDINGS INC.**, St. Louis, MO (US)

(\*\*) Term: **14 Years**

(21) Appl. No.: **29/467,331**

(22) Filed: **Sep. 18, 2013**

(51) **LOC (10) Cl.** ..... **09-01**

(52) **U.S. Cl.**  
USPC ..... **D9/530**

(58) **Field of Classification Search**  
USPC ..... D7/300, 317, 318, 321, 387, 396.1,  
D7/396.2, 500, 507, 509, 510, 511, 523,  
D7/533, 534, 538, 540, 543, 547, 560, 584,  
D7/601, 602, 619.1, 622, 629, 630;  
D9/516, 519, 520, 527-531, 533, 535,  
D9/537, 549, 551, 553, 559, 564, 738, 742,  
D9/746; 215/44, 329, 298; 220/675, 771  
See application file for complete search history.

(56) **References Cited**

**U.S. PATENT DOCUMENTS**

3,343,698	A	9/1967	Anderson et al.	
D306,969	S *	4/1990	Alberghini et al.	D9/540
5,564,583	A	10/1996	Kelley et al.	
D385,497	S *	10/1997	Krishnakumar et al.	D9/543
D393,210	S *	4/1998	Ewing, Jr.	D9/543
D472,813	S *	4/2003	Wright	D9/530

D472,814	S *	4/2003	Wright	D9/530
D472,816	S *	4/2003	Wright	D9/543
6,716,386	B2	4/2004	Saito et al.	
6,726,044	B1	4/2004	Deube et al.	
6,749,075	B2	6/2004	Bourque et al.	
D532,693	S *	11/2006	Steih et al.	D9/516
D699,584	S *	2/2014	Hall	D9/667
D703,540	S *	4/2014	Yourist et al.	D9/538
D703,541	S *	4/2014	Yourist et al.	D9/541
D706,638	S *	6/2014	Fleischhacker et al.	D9/556
2002/0162821	A1	11/2002	Saito et al.	
2003/0042222	A1 *	3/2003	Wurster et al.	215/379
2006/0180568	A1	8/2006	Lane	
2008/0083695	A1	4/2008	Nievierowski	
2011/0049086	A1	3/2011	Boiros	
2011/0220607	A1	9/2011	Mukunoki	
2012/0318767	A1	12/2012	Burgess et al.	
2014/0231442	A1 *	8/2014	Hill et al.	220/740

**OTHER PUBLICATIONS**

Korean Intellectual Property Office; International Search Report for PCT/US2014/047961, dated Nov. 28, 2014, 3 pages.

(Continued)

*Primary Examiner* — Susan Bennett Hattan

*Assistant Examiner* — Leanne Was

(74) *Attorney, Agent, or Firm* — Dorsey & Whitney LLP

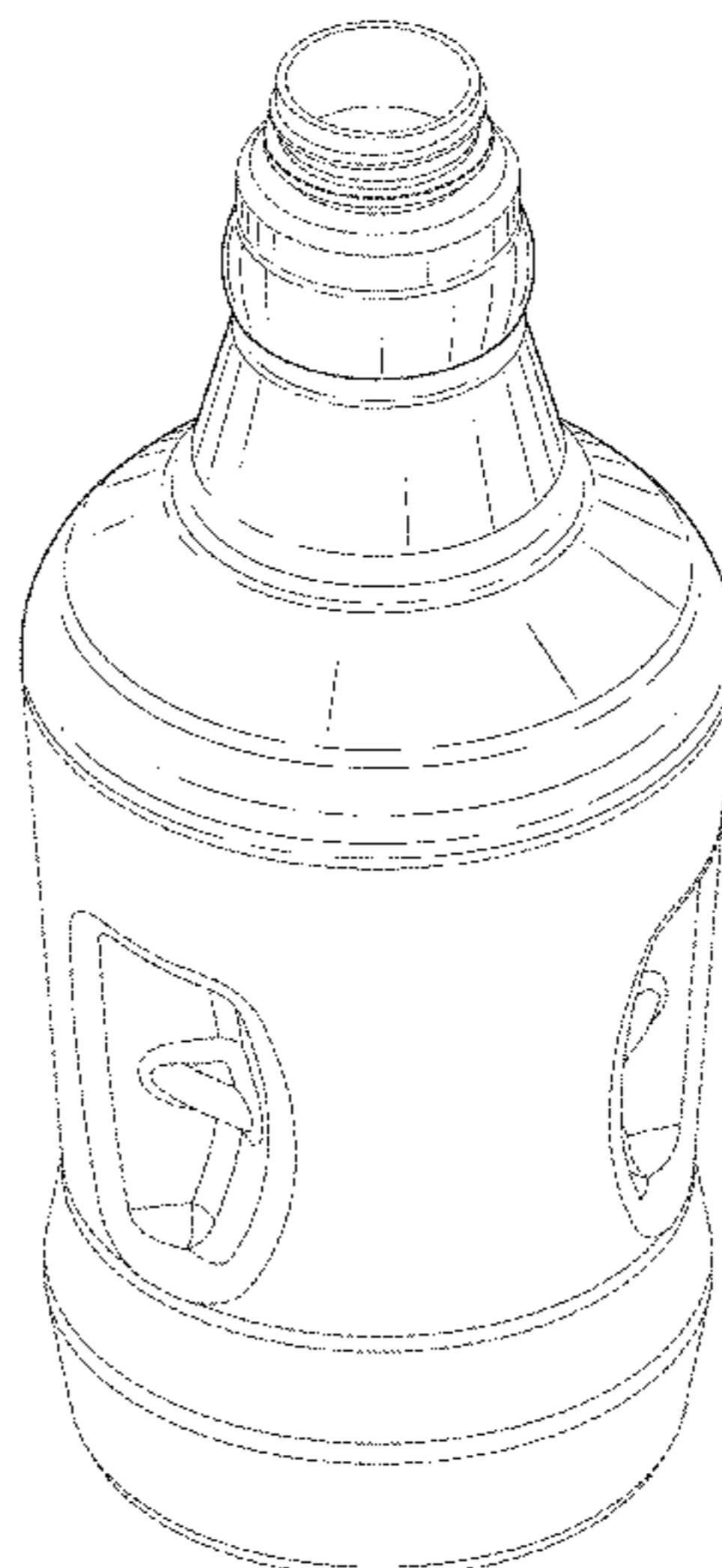
(57) **CLAIM**

The ornamental design of a bottle, as shown and described.

**DESCRIPTION**

FIG. 1 is a back perspective view of a bottle;  
FIG. 2 is a back view thereof;  
FIG. 3 is a front view thereof;  
FIG. 4 is a right side view thereof;  
FIG. 5 is a left side view thereof; and,  
FIG. 6 is a top view thereof.  
The broken lines depict portions of the bottle that form no part of the claimed design.

**1 Claim, 6 Drawing Sheets**



(56)

**References Cited**

OTHER PUBLICATIONS

Korean Intellectual Property Office; Written Opinion of the International Searching Authority for PCT/US2014/047961, dated Nov. 28, 2014, 19 pages.

Alpha Packaging, Brochure: "Alpha Packaging Cleveland Stock Product Catalog, High-Quality Plastic Bottles and Jars", published at least as early as Jun. 10, 2013, 24 pages.

\* cited by examiner

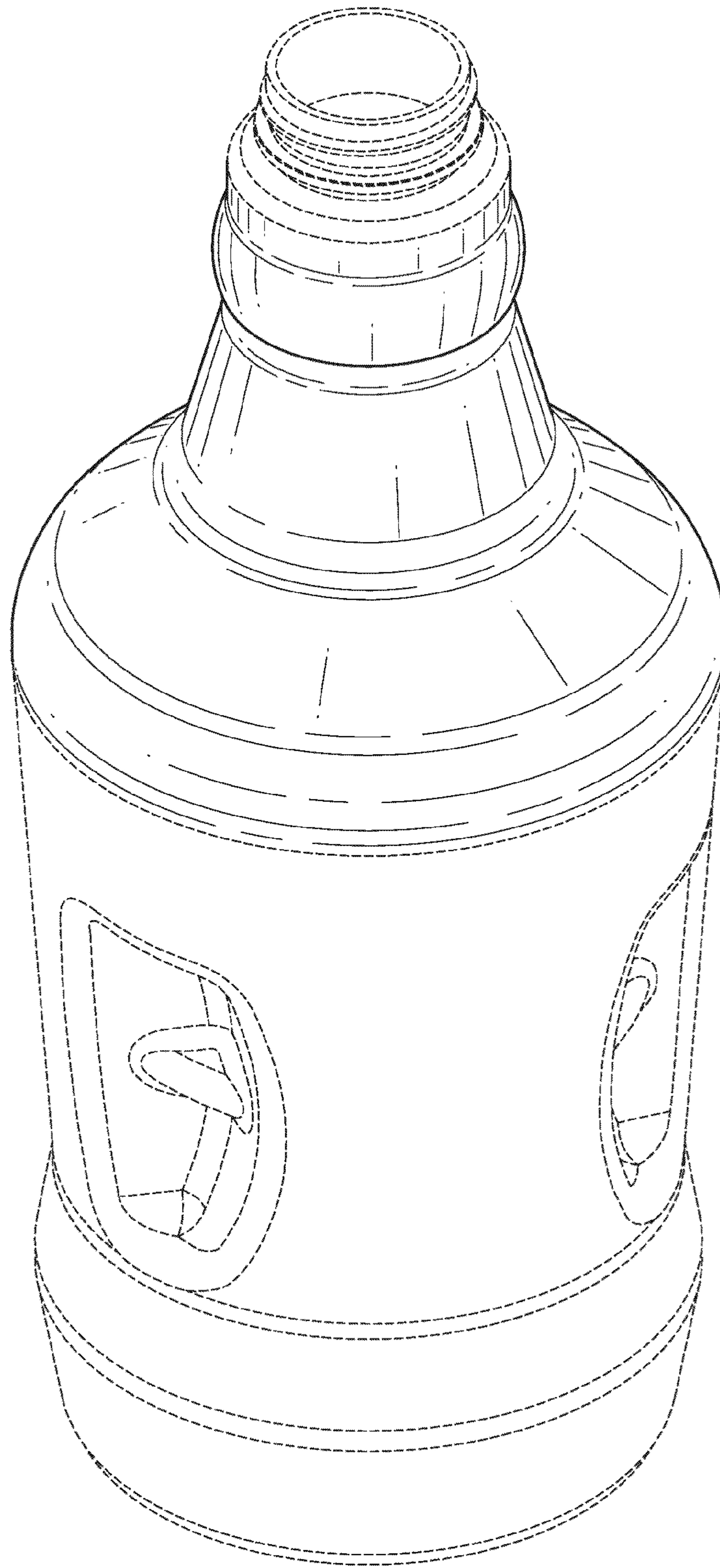


FIG. 1

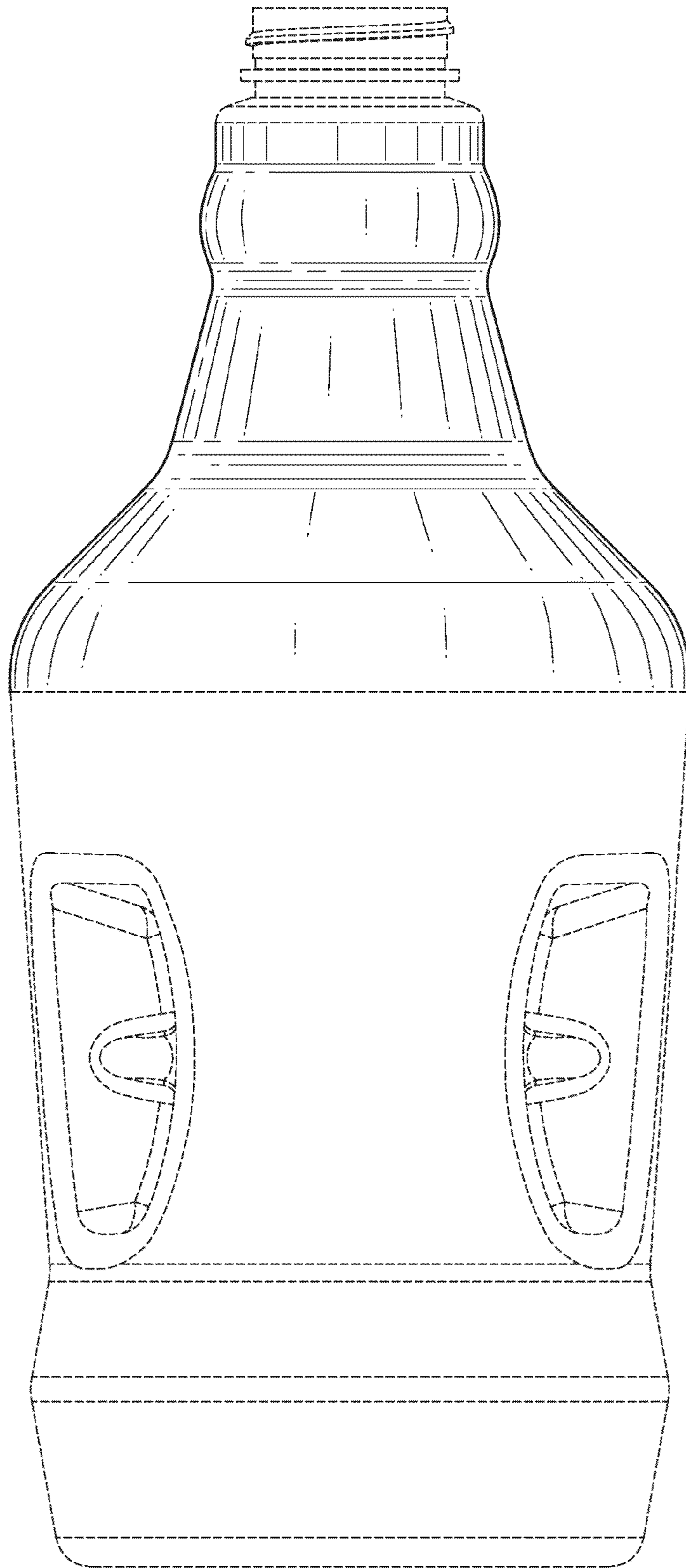


FIG. 2



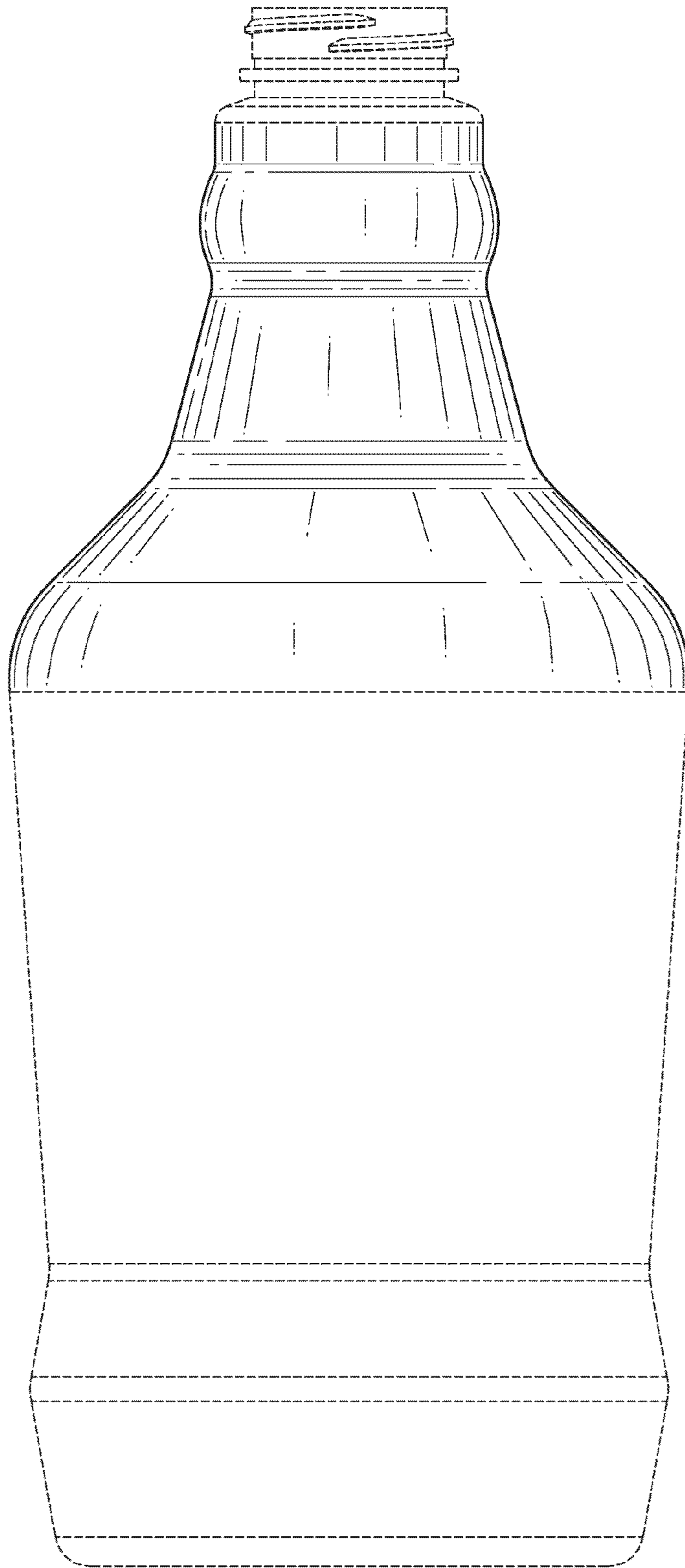


FIG. 3

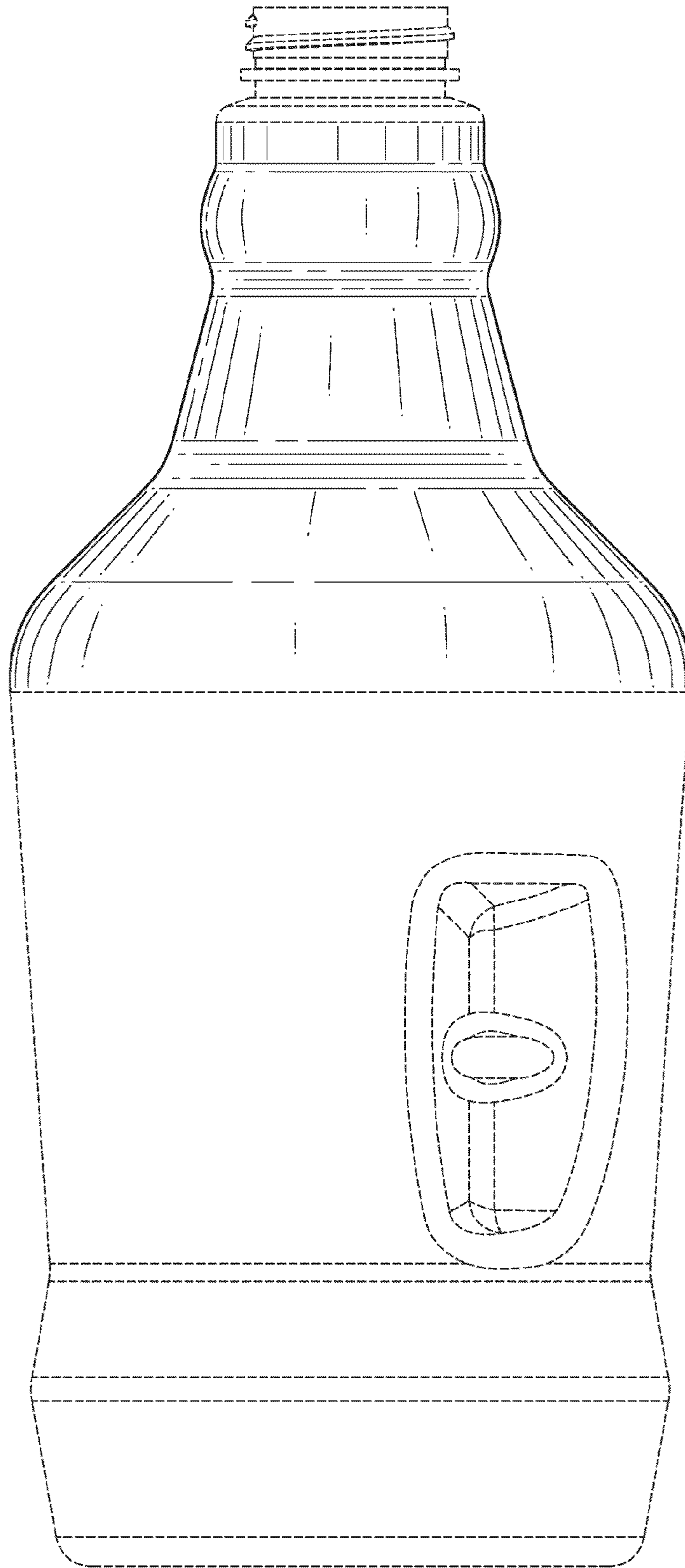


FIG. 4

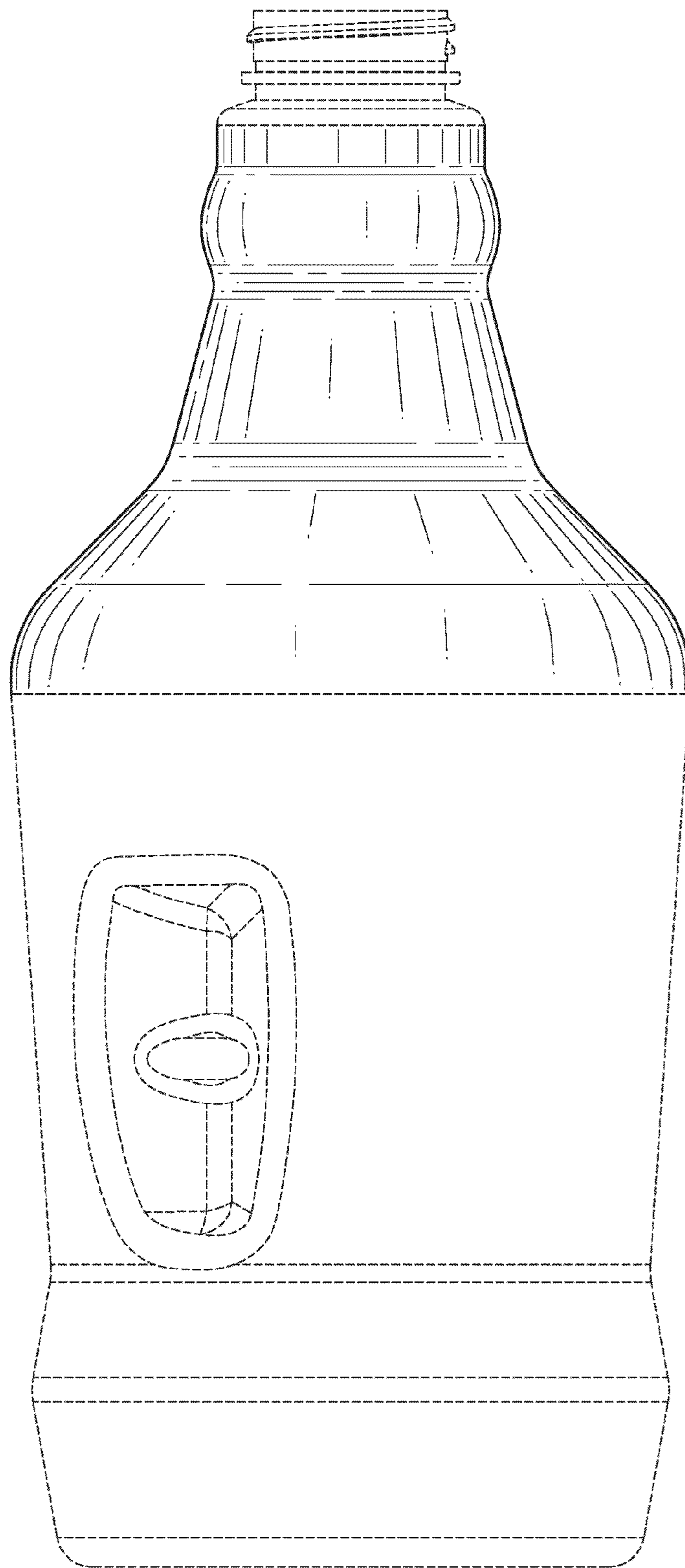


FIG. 5

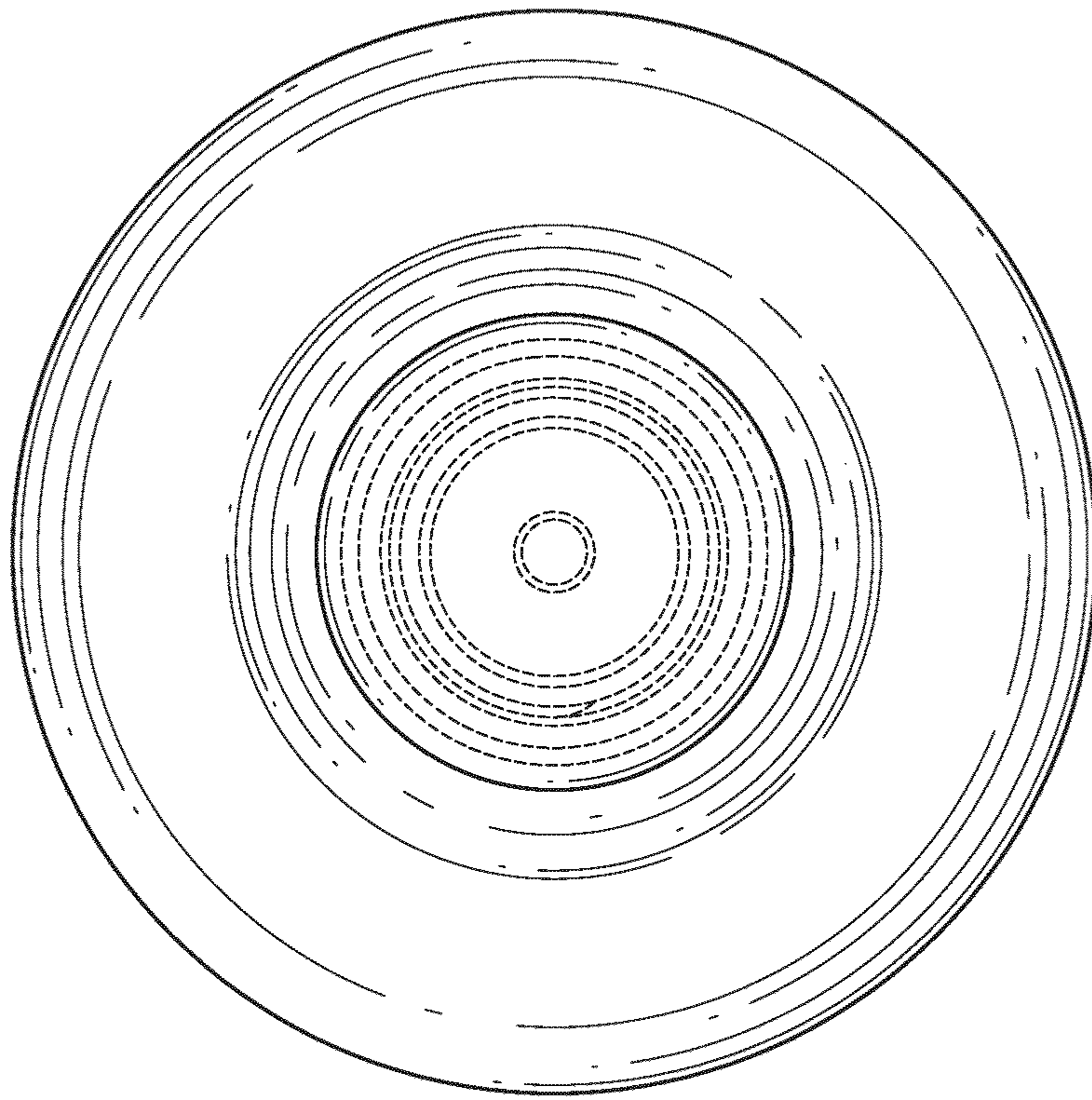


FIG. 6