



US00D756228S

(12) **United States Design Patent**
Premkumar

(10) **Patent No.:** **US D756,228 S**
(45) **Date of Patent:** **** May 17, 2016**

(54) **BOTTLE**

(71) Applicant: **Neel Premkumar**, West New York, NJ
(US)

(72) Inventor: **Neel Premkumar**, West New York, NJ
(US)

(**) Term: **14 Years**

(21) Appl. No.: **29/465,459**

(22) Filed: **Aug. 28, 2013**

(51) **LOC (10) CI.** **09-01**

(52) **U.S. CI.**

USPC **D9/523**; D9/551; D9/563

(58) **Field of Classification Search**

USPC D9/431, 435, 439-440, 444-447,
D9/449-450, 454, 522, 524, 526, 561,
D9/572-573, 575, 682, 685, 693,
D9/723-724; D3/202; D7/510, 511
CPC A47J 41/02; A47J 41/0077; B65D 1/0215;
B65D 1/0223; B65D 23/102; B65D 23/106;
B29L 2031/463

See application file for complete search history.

(56) **References Cited**

U.S. PATENT DOCUMENTS

D29,092 S *	7/1898	Freeman	D9/544
D86,017 S *	1/1932	Fuerst	D9/526
D86,712 S *	4/1932	Fuerst	D9/522
D87,255 S *	6/1932	Fuerst	215/382
D99,648 S *	5/1936	Mulhens	D9/545
D101,011 S *	8/1936	Scurlock	D9/526
D112,696 S *	12/1938	Havekost	D9/526
D168,851 S *	2/1953	Montenier	D9/526
D255,985 S *	7/1980	Seelig	D9/523
D286,027 S *	10/1986	Waher	D9/435
D329,814 S *	9/1992	Libit	D9/526
D332,914 S *	2/1993	Stephens	D4/114
D370,834 S *	6/1996	Hartman	D7/612
D404,259 S *	1/1999	Tisdale	D7/590

(Continued)

FOREIGN PATENT DOCUMENTS

CN 3332445 * 10/2003
KR 300570162.0000 * 8/2010

(Continued)

OTHER PUBLICATIONS

Unisex Crystal Experiment, upload 2015, online, site visited Sep. 3, 2015, https://wanelo.com/p/19693818/10-sale-unisex-crystal-experiment-modern-mercury-science-beakers-geeky-gifts-mad-scientist-collection-sold-seperately-round-or-pyramid.*

(Continued)

Primary Examiner — John Windmuller

Assistant Examiner — John R Yeh

(74) *Attorney, Agent, or Firm* — Scully, Scott, Murphy & Presser, P.C.

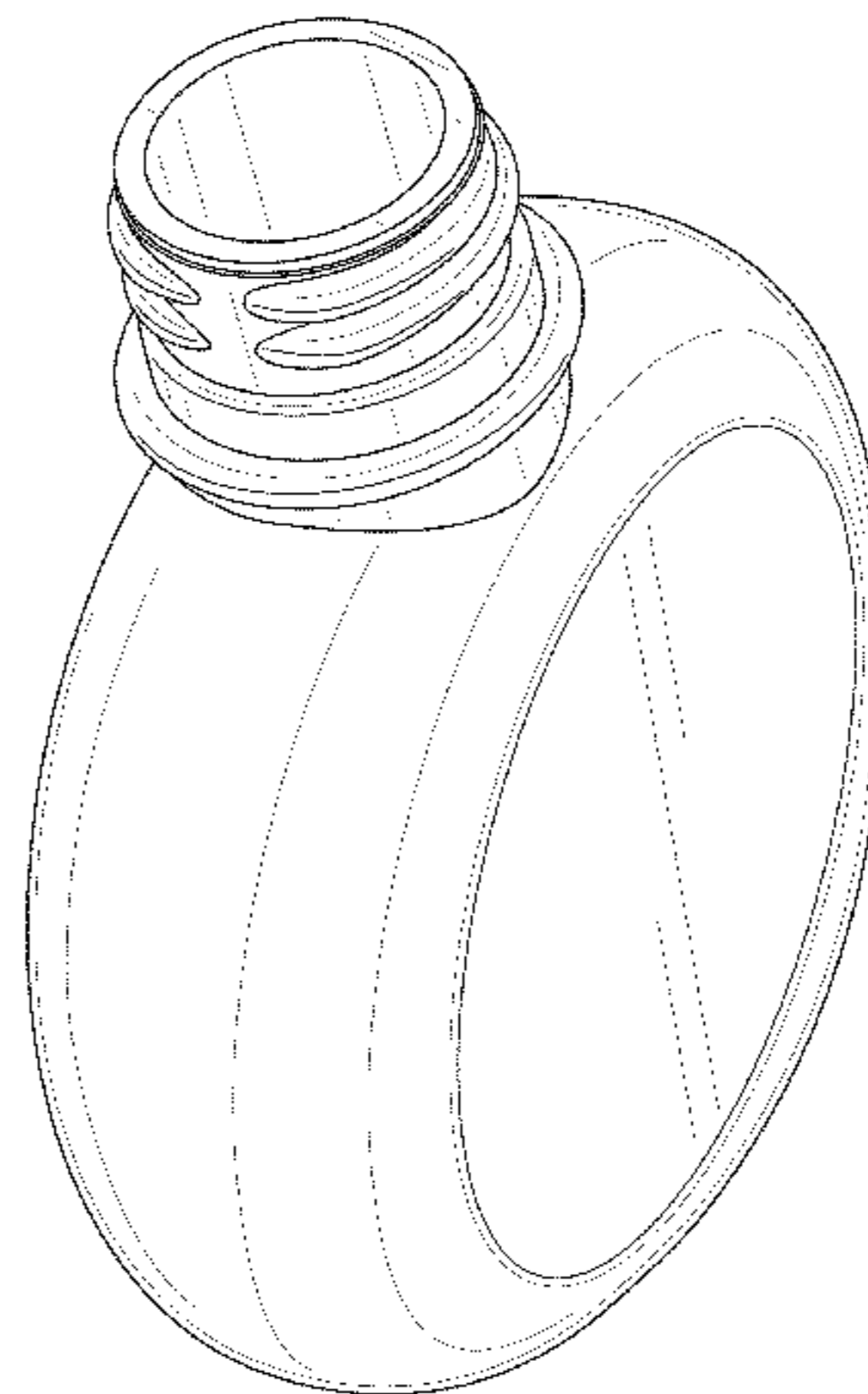
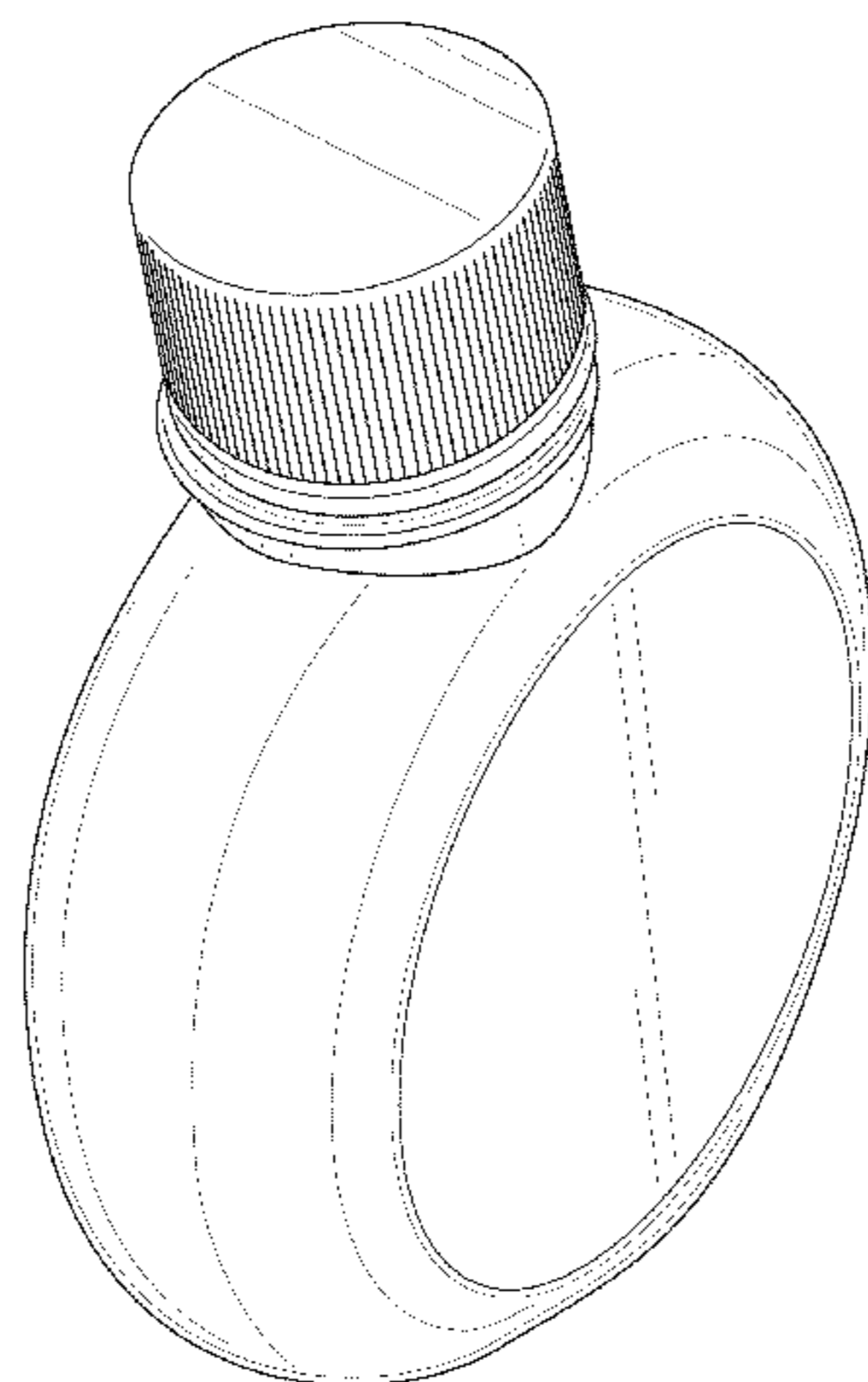
(57) **CLAIM**

The ornamental design for a bottle, as shown and described.

DESCRIPTION

FIG. 1 is a perspective view of the bottle showing our new and ornamental design;
FIG. 2 is a left view thereof;
FIG. 3 is right view thereof;
FIG. 4 is front view thereof;
FIG. 5 is a back view thereof;
FIG. 6 is a top view thereof;
FIG. 7 is a bottom view thereof;
FIG. 8 is a perspective view of the bottle with the cap removed to show details not shown in FIGS. 1-7;
FIG. 9 is a left view thereof;
FIG. 10 is right view thereof;
FIG. 11 is front view thereof;
FIG. 12 is a back view thereof;
FIG. 13 is a top view thereof; and,
FIG. 14 is a bottom view thereof.

1 Claim, 12 Drawing Sheets



(56)

References Cited

U.S. PATENT DOCUMENTS

D406,988 S * 3/1999 Tisdale D7/612
D546,692 S * 7/2007 Verburg D9/526
D550,086 S * 9/2007 Burks D5/56
D550,095 S * 9/2007 De Oliveira Neto D9/519
D609,100 S * 2/2010 Licari D9/522
D622,154 S * 8/2010 Vishab D9/454
D661,994 S * 6/2012 Van Den Wouwer D9/529
2012/0152882 A1 * 6/2012 Tune B65D 1/0223
215/40
2012/0187069 A1 * 7/2012 Harris B29C 49/06
215/44

FOREIGN PATENT DOCUMENTS

RU 00062234 * 4/2007
WO WO D064597-001 * 11/2003

OTHER PUBLICATIONS

Bonnies Vintage Attic, Etsy, BLue Oxfordware Pitcher Cork, oldest review Apr. 2012, online, site visited Sep. 3, 2015, <https://www.etsy.com/listing/245281158/blue-oxfordware-pitcher-cork-lined?ref=market>.*

* cited by examiner

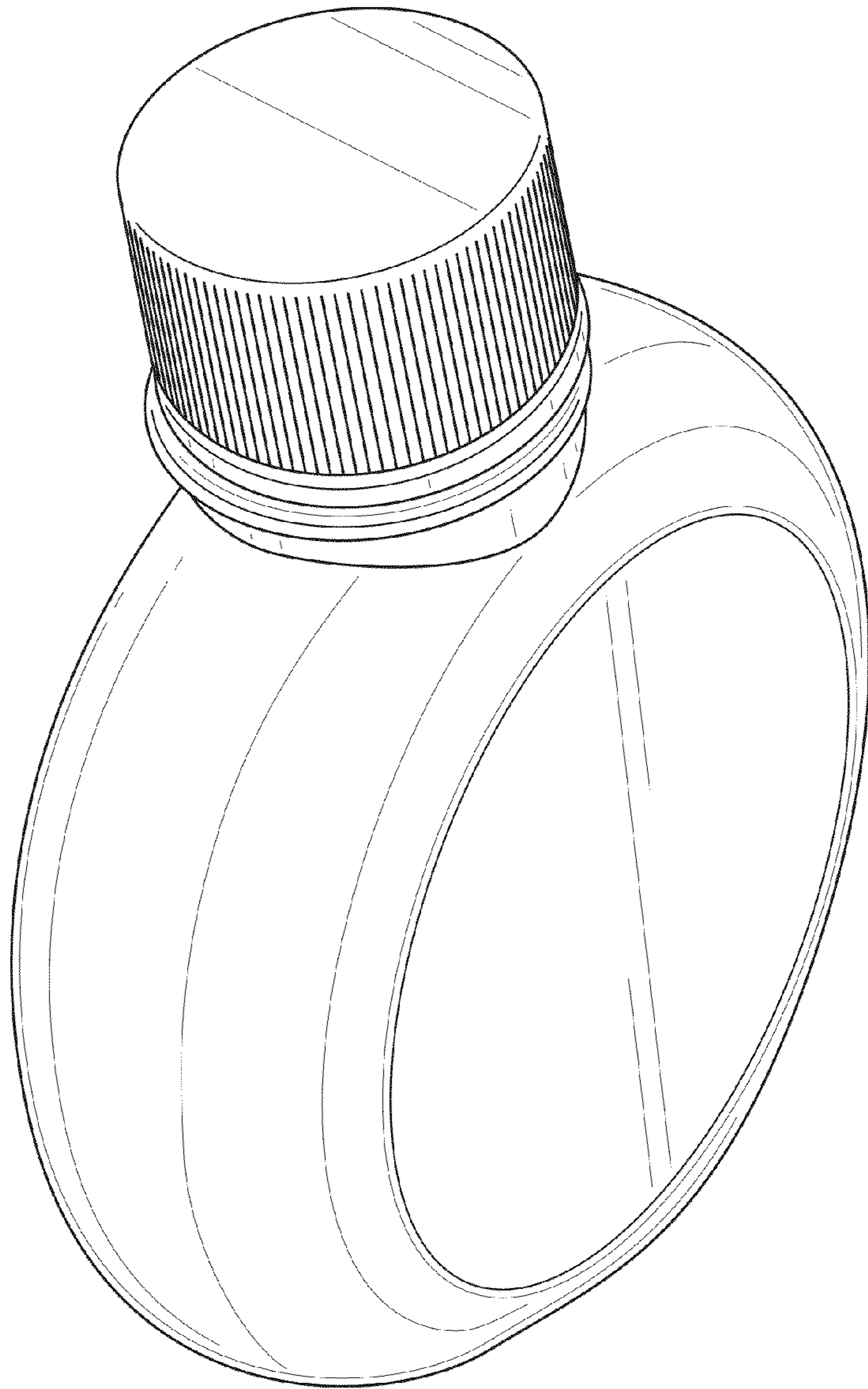


FIG. 1

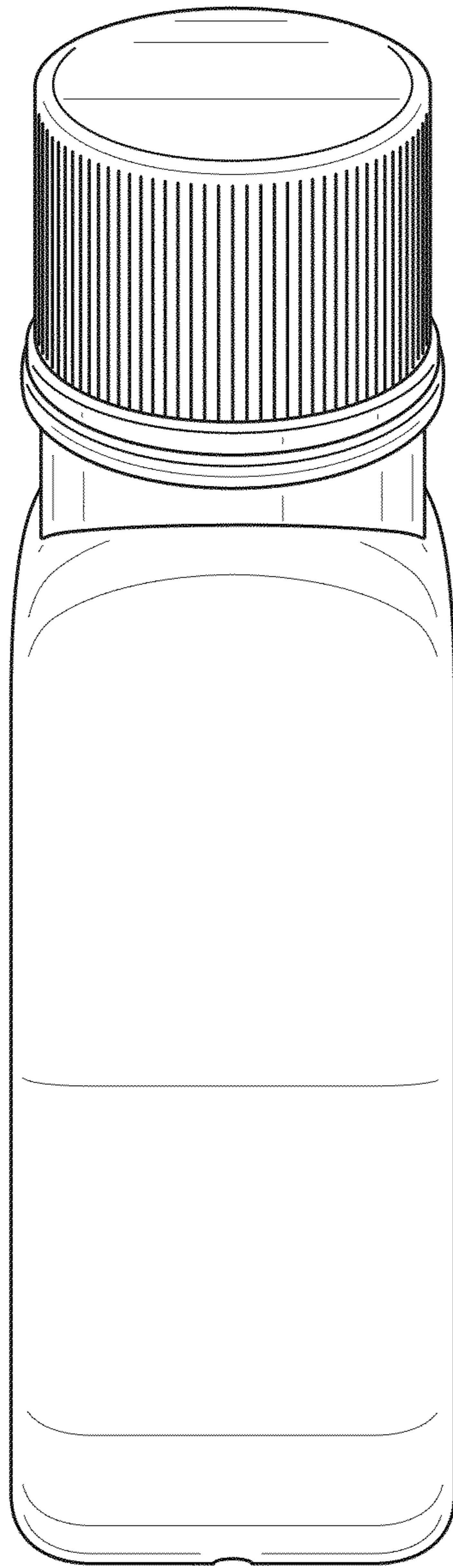


FIG. 2

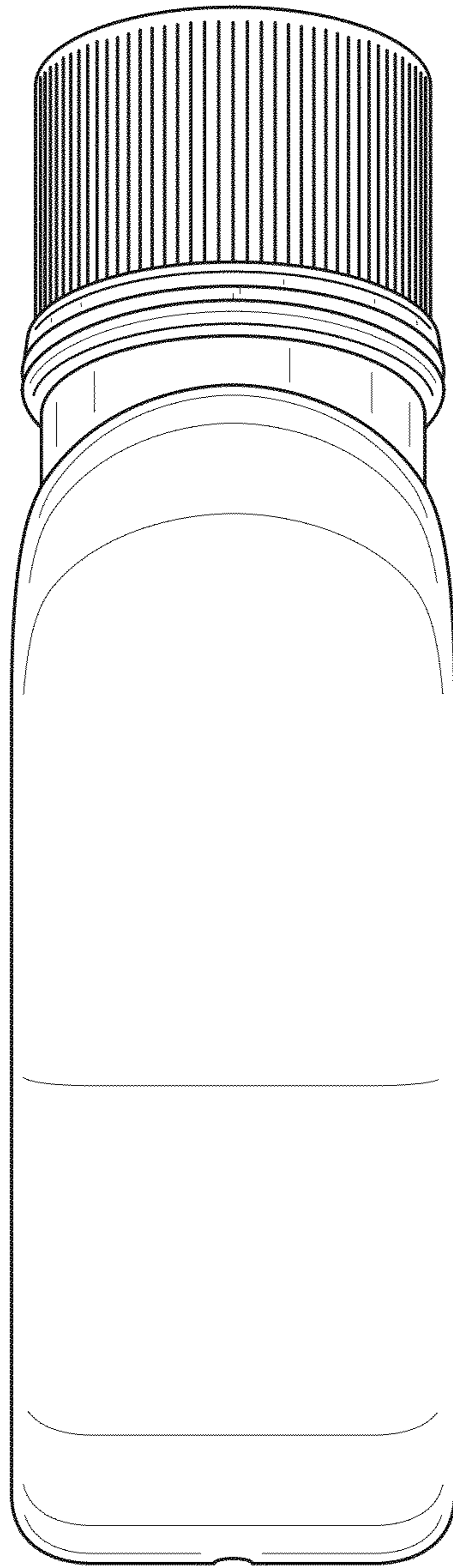


FIG. 3

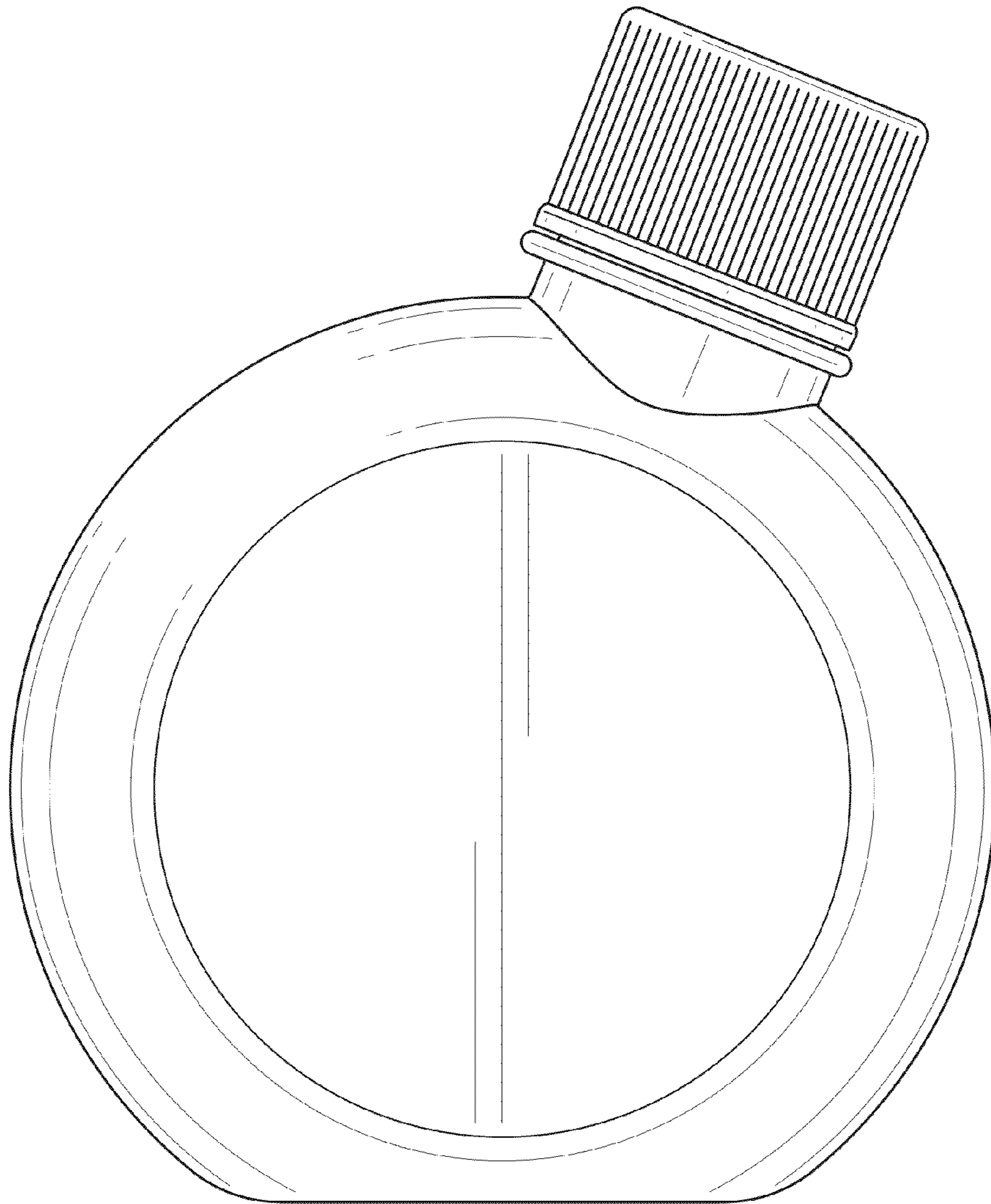


FIG. 4

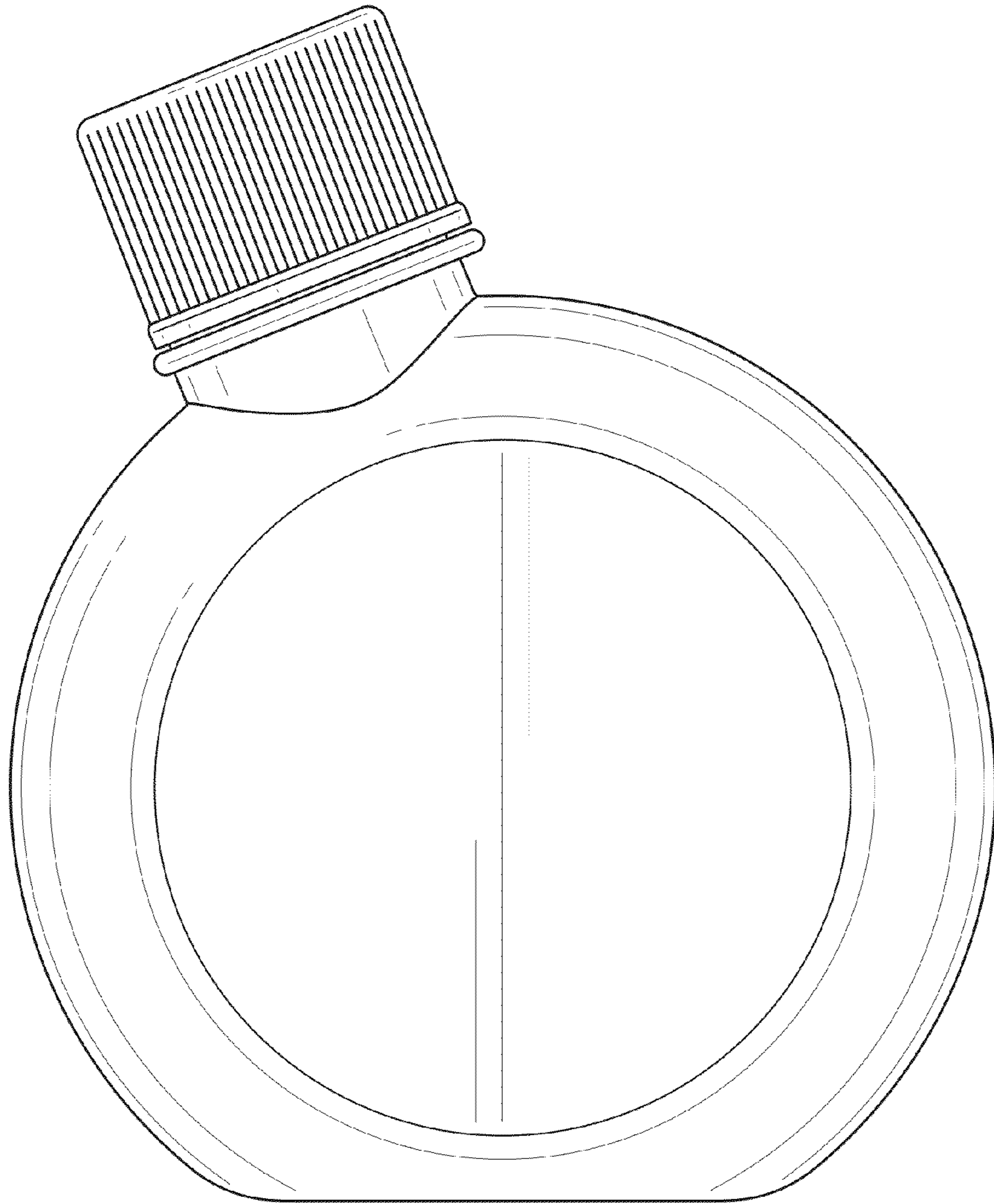


FIG. 5

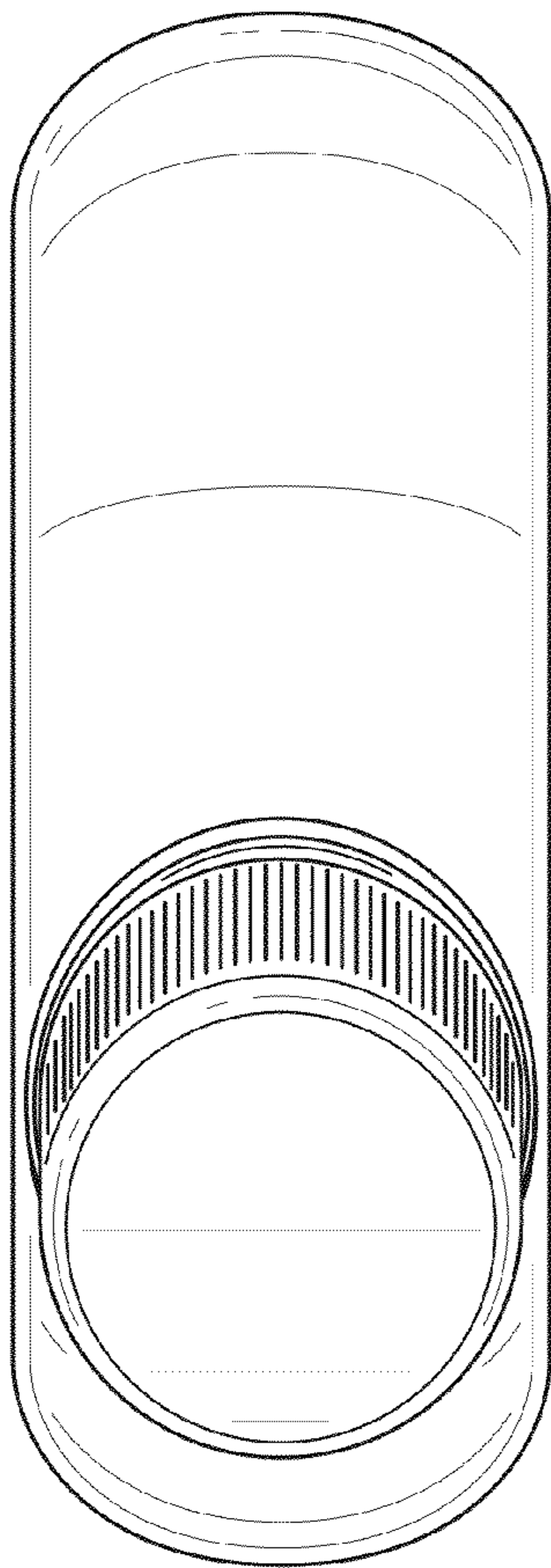


FIG. 6

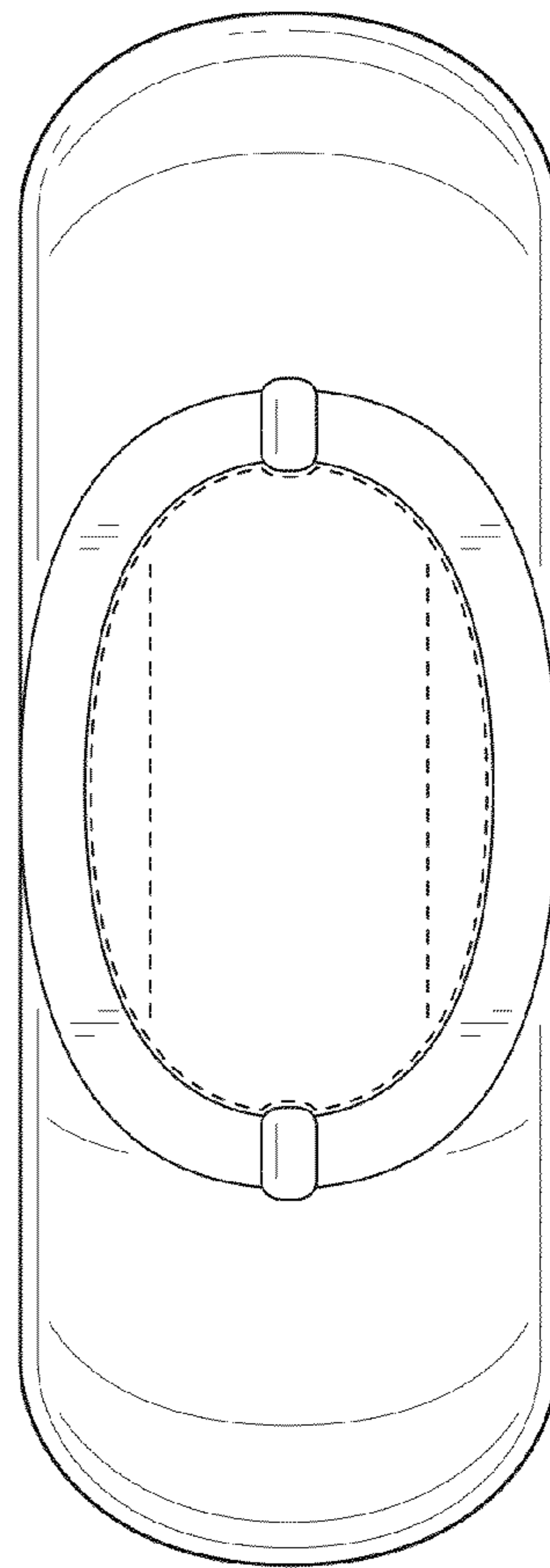


FIG. 7

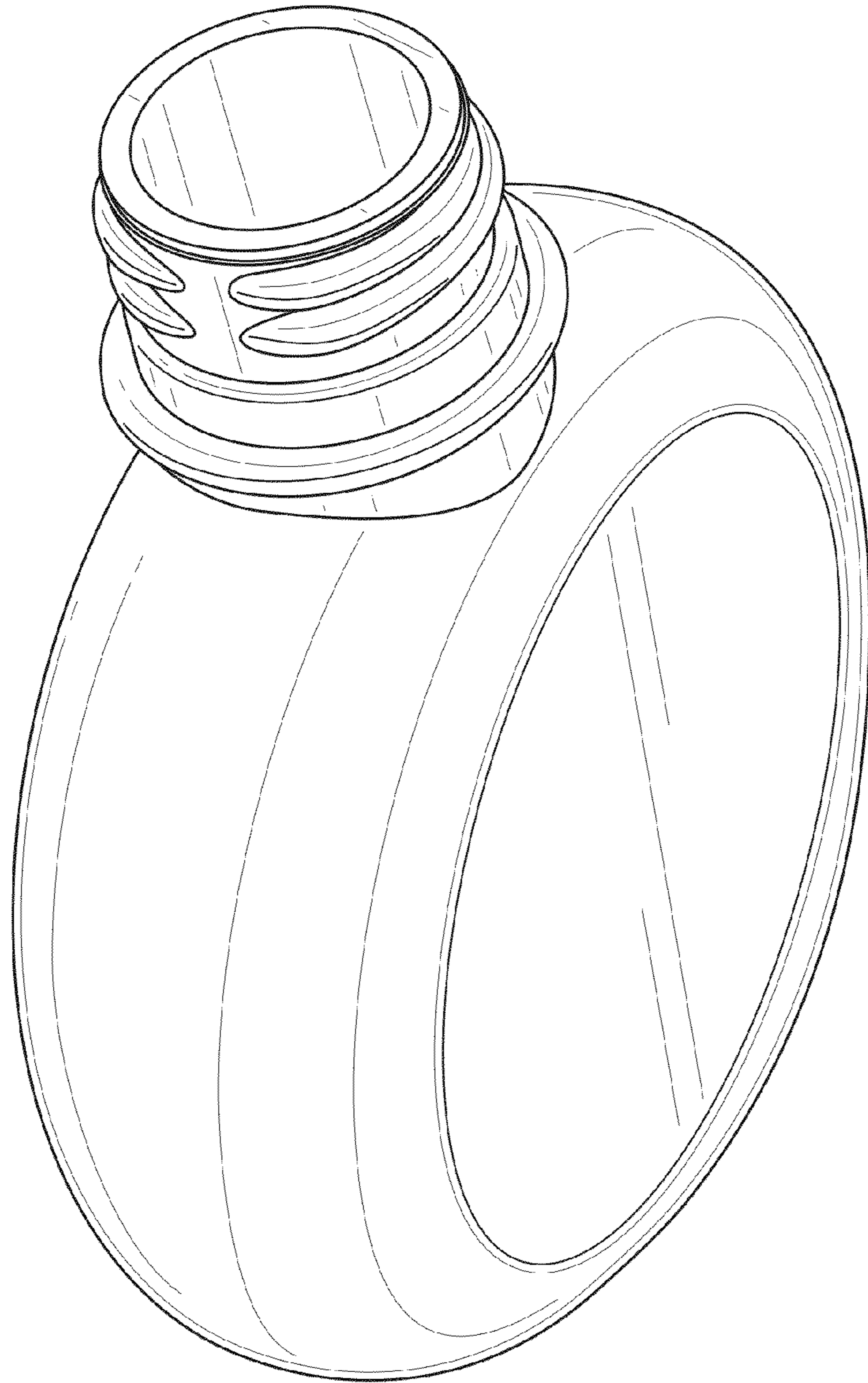


FIG. 8

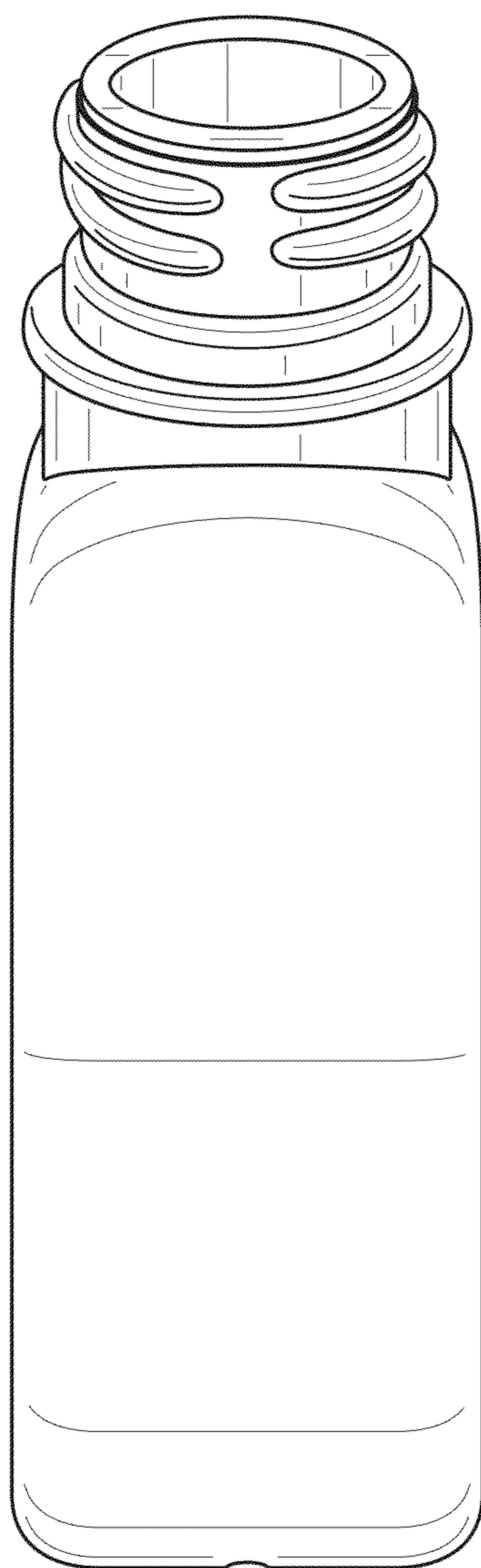


FIG. 9

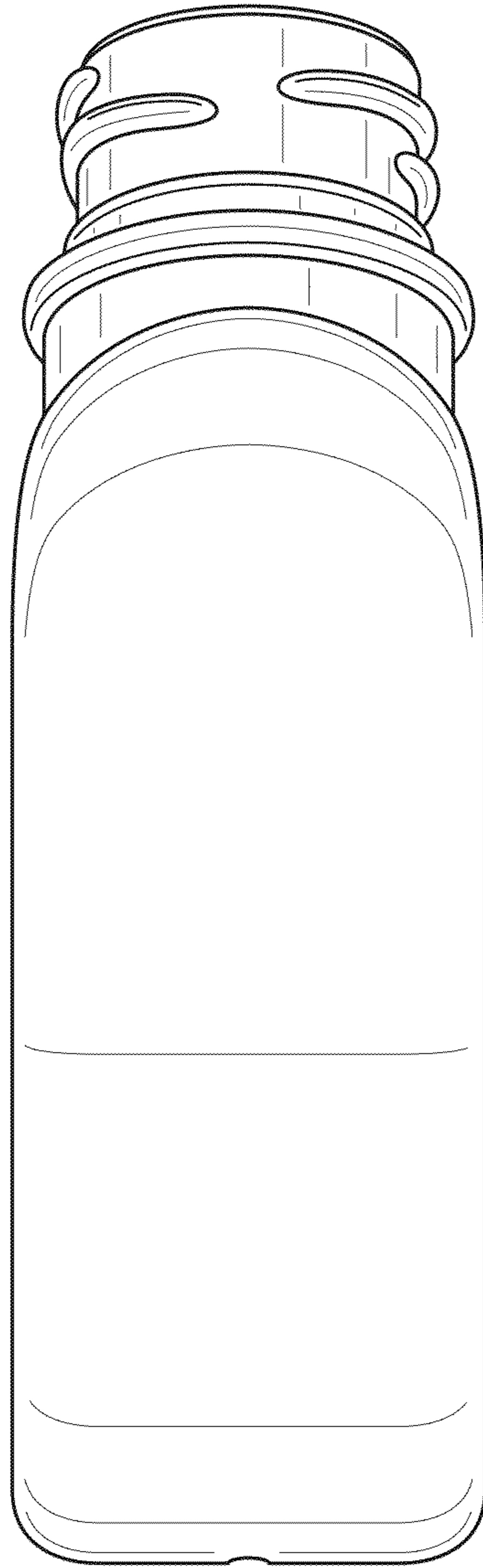


FIG. 10

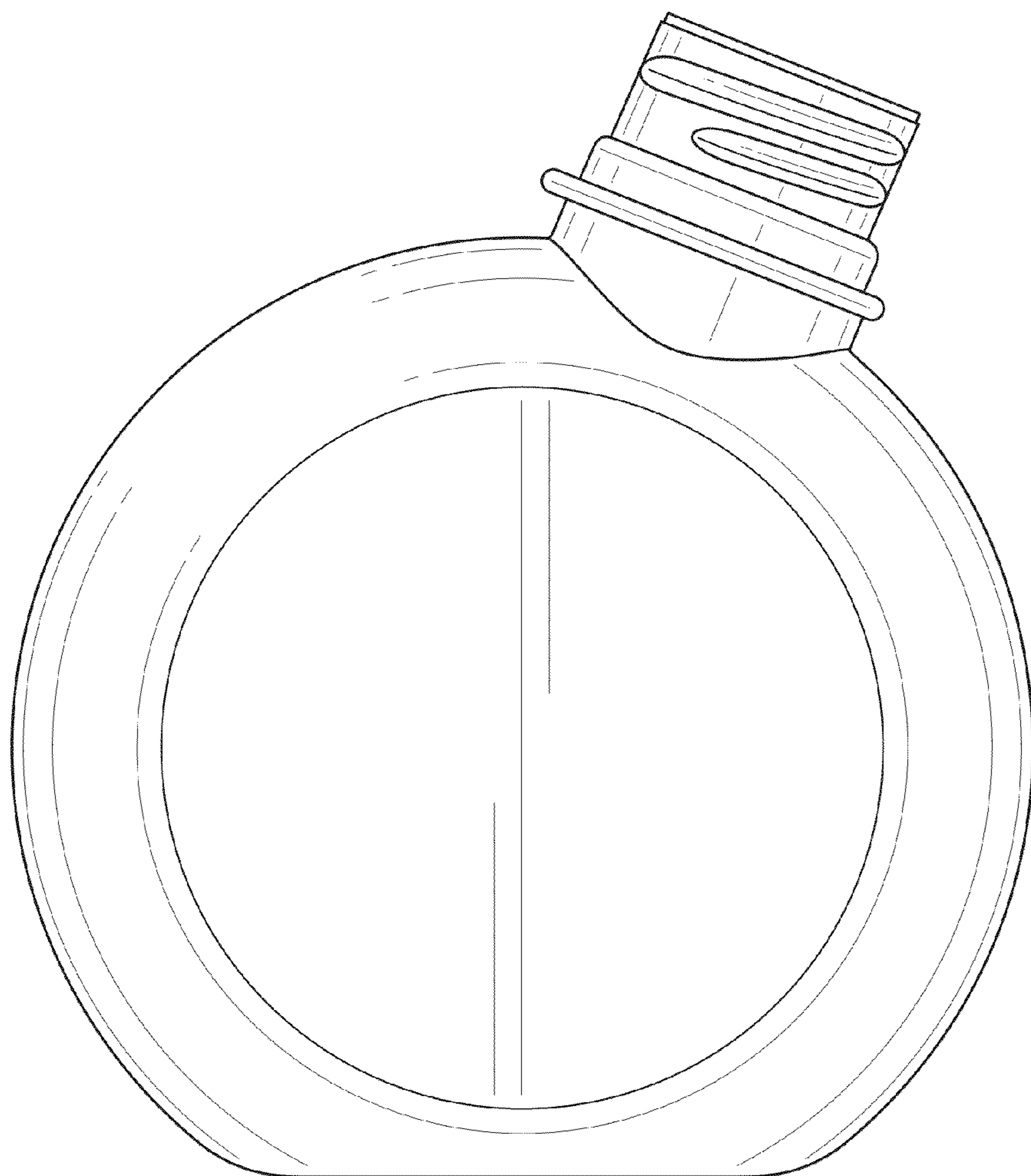


FIG. 11

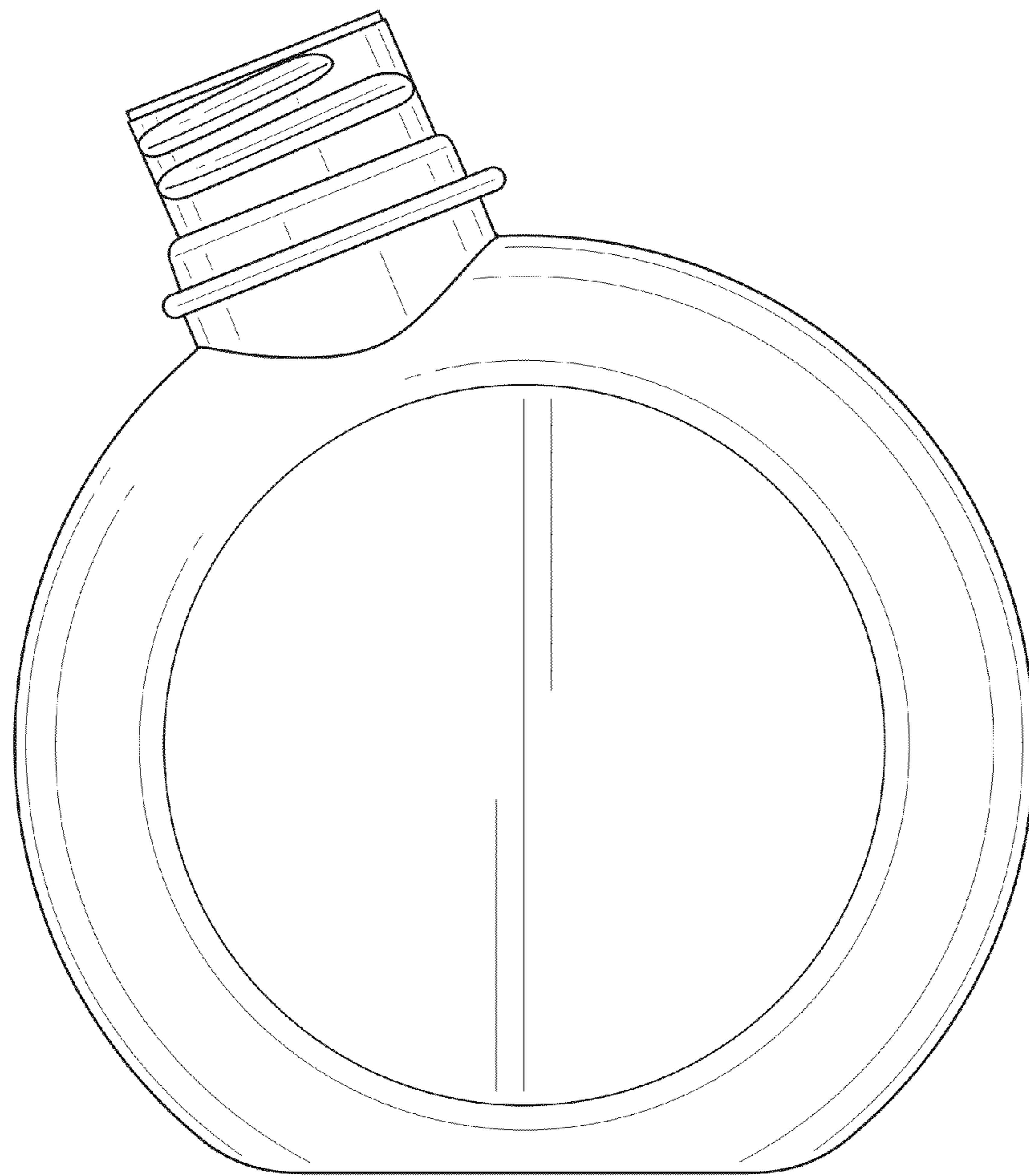


FIG. 12

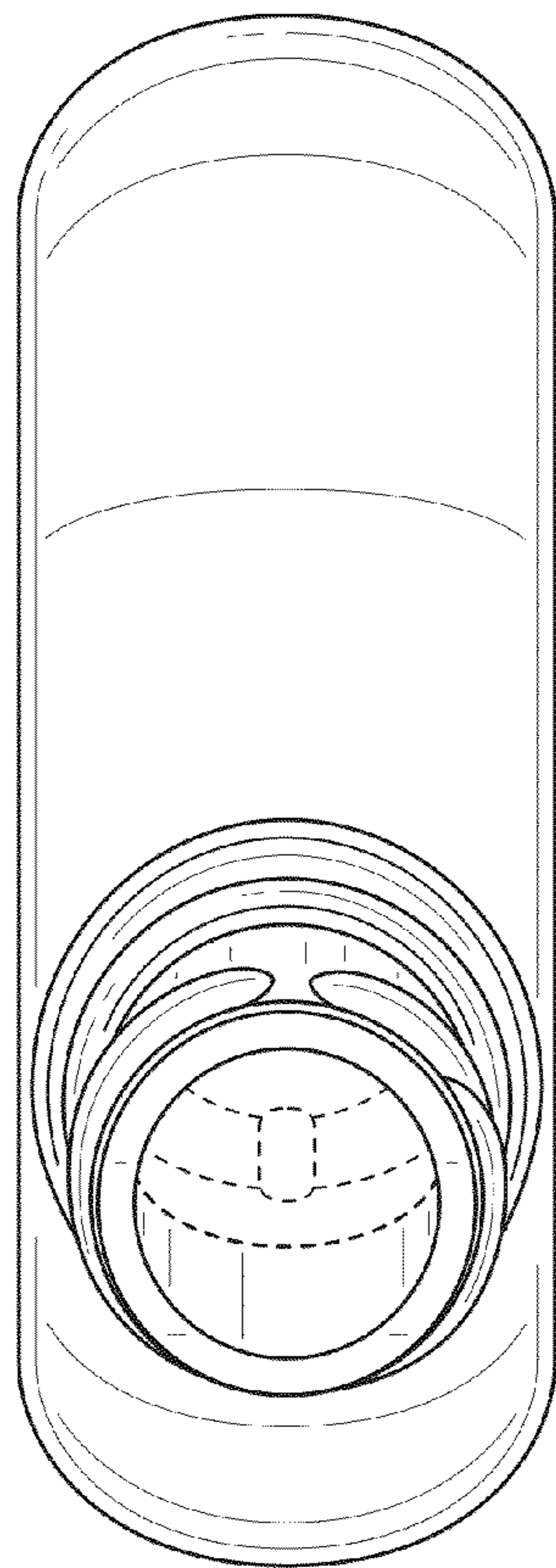


FIG. 13

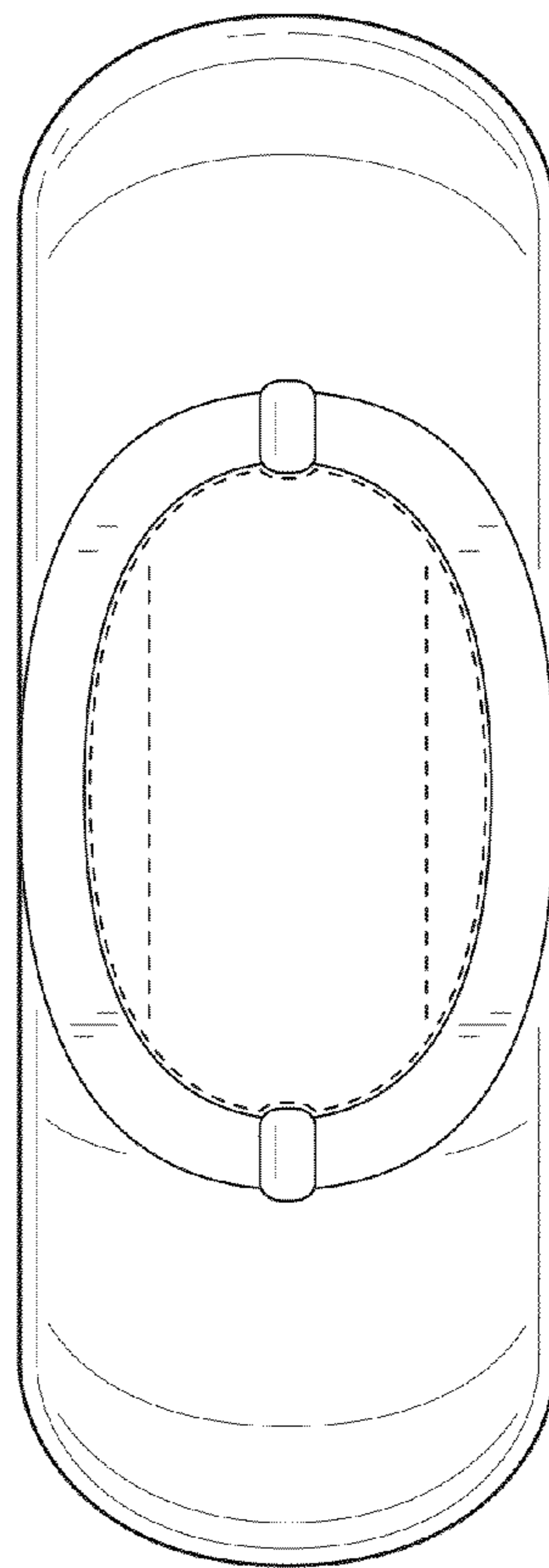


FIG. 14