

US00D756226S

(12) **United States Design Patent**
In et al.

(10) **Patent No.:** **US D756,226 S**

(45) **Date of Patent:** **** May 17, 2016**

(54) **COSMETIC CONTAINER**

(71) Applicant: **AMOREPACIFIC CORPORATION**,
Seoul (KR)

(72) Inventors: **Jee Hyo In**, Gyeonggi-do (KR); **Hyun Sun Seo**, Seoul (KR)

(73) Assignee: **Amorepacific Corporation**, Seoul (KR)

(**) Term: **14 Years**

(21) Appl. No.: **29/518,039**

(22) Filed: **Feb. 19, 2015**

(30) **Foreign Application Priority Data**

Aug. 19, 2014 (KR) 30-2014-0040268

(51) **LOC (10) Cl.** **09-01**

(52) **U.S. Cl.**
USPC **D9/504**

(58) **Field of Classification Search**
USPC D9/434-435, 444-445, 454, 500,
D9/502-505, 516, 529, 549, 555, 558, 568,
D9/575; D26/9-11, 22; D28/73, 76-77,
D28/91; D3/901
CPC B65D 1/10; B65D 23/00; B65D 2501/00
See application file for complete search history.

(56) **References Cited**

U.S. PATENT DOCUMENTS

D493,721 S *	8/2004	Puigbo	D28/76
D543,458 S *	5/2007	Dittmer	D9/504
D555,835 S *	11/2007	Song	D28/76
D581,792 S *	12/2008	Krohn	D9/504
D581,809 S *	12/2008	Wichowski	D9/504
D582,283 S *	12/2008	O'Donahue	D9/435
D610,460 S *	2/2010	Nagata	D9/504
D613,603 S *	4/2010	Rowland	D9/504

D630,514 S *	1/2011	Niikura	D9/504
D640,925 S *	7/2011	Rodriguez	D28/76
D659,004 S *	5/2012	McCoy	D28/82
D662,822 S *	7/2012	Morais	D9/504
D691,888 S *	10/2013	Mettler	D9/454
D696,948 S	1/2014	Kim		
D703,055 S *	4/2014	Park	D9/454
D728,372 S *	5/2015	Behar	D9/454
D731,891 S *	6/2015	Servaire	D9/504

OTHER PUBLICATIONS

Japanese Office Action dated Aug. 4, 2015 corresponding to Japanese Patent Application No. JP2015-3247; 2 pages.

* cited by examiner

Primary Examiner — Philip S Hyder

Assistant Examiner — Keith Frank

(74) *Attorney, Agent, or Firm* — Ohlandt, Greeley, Ruggiero & Perle, L.L.P.

(57) **CLAIM**

The ornamental design for the cosmetic container, as shown and described in the accompanying figures.

DESCRIPTION

FIG. 1 is a perspective view of a cosmetic container as shown in the drawings;

FIG. 2 is a front elevation view of the cosmetic container of FIG. 1;

FIG. 3 is a rear elevation view of the cosmetic container of FIG. 1;

FIG. 4 is a left side view of the cosmetic container of FIG. 1;

FIG. 5 is a right side view of the cosmetic container of FIG. 1;

FIG. 6 is a top plan view of the cosmetic container of FIG. 1; and,

FIG. 7 is a bottom plan view of the cosmetic container of FIG. 1.

1 Claim, 7 Drawing Sheets

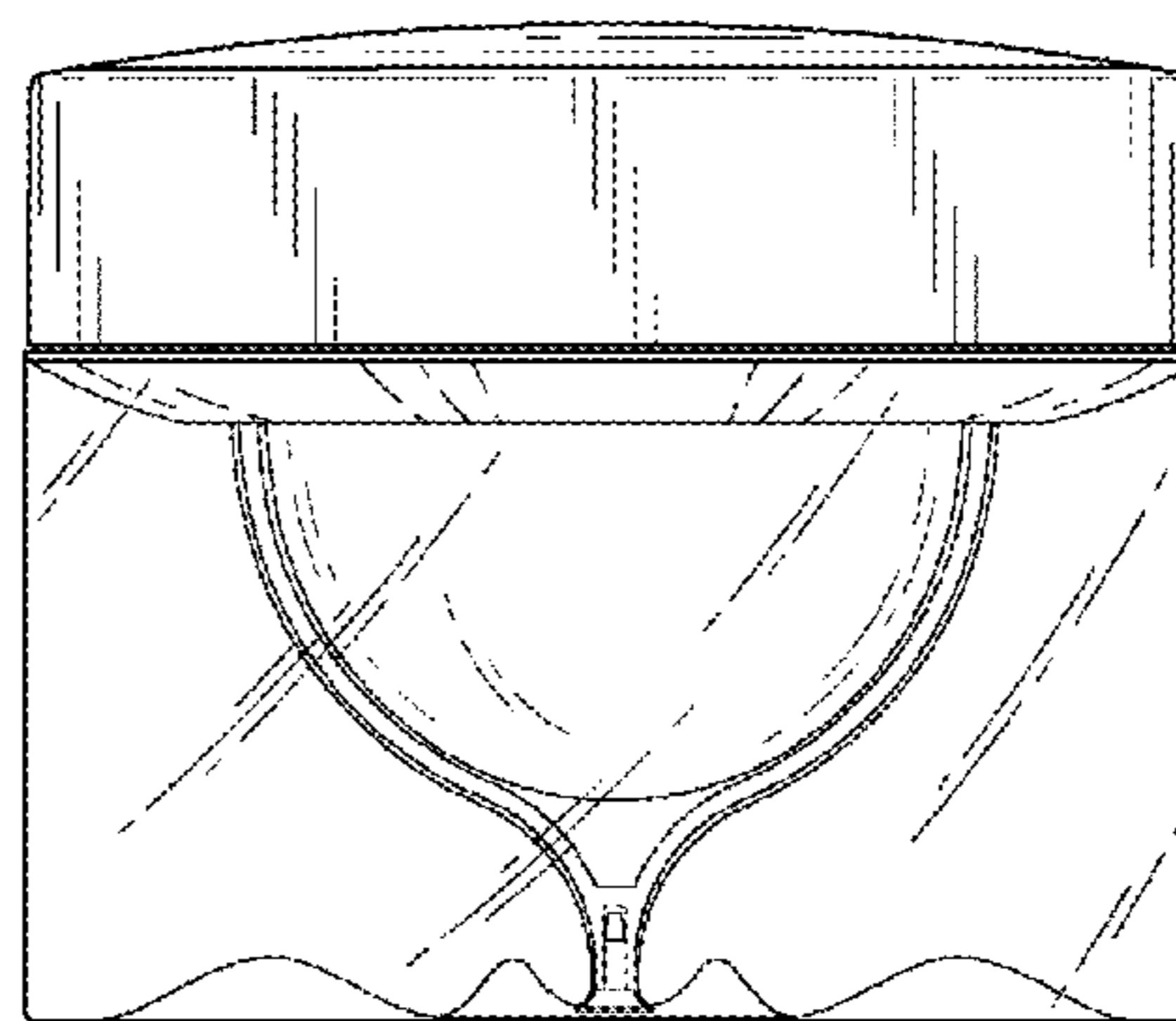
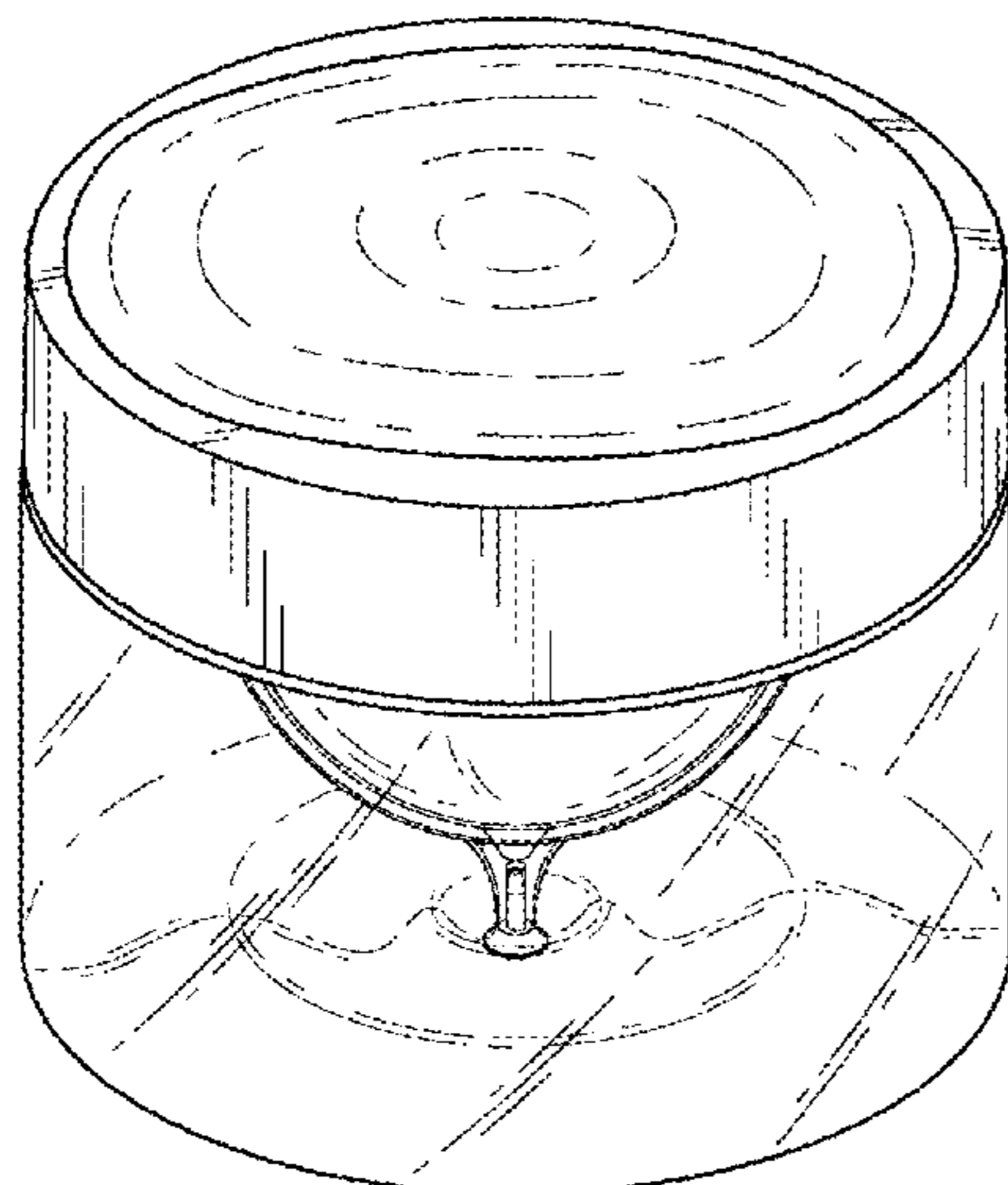


Fig. 1

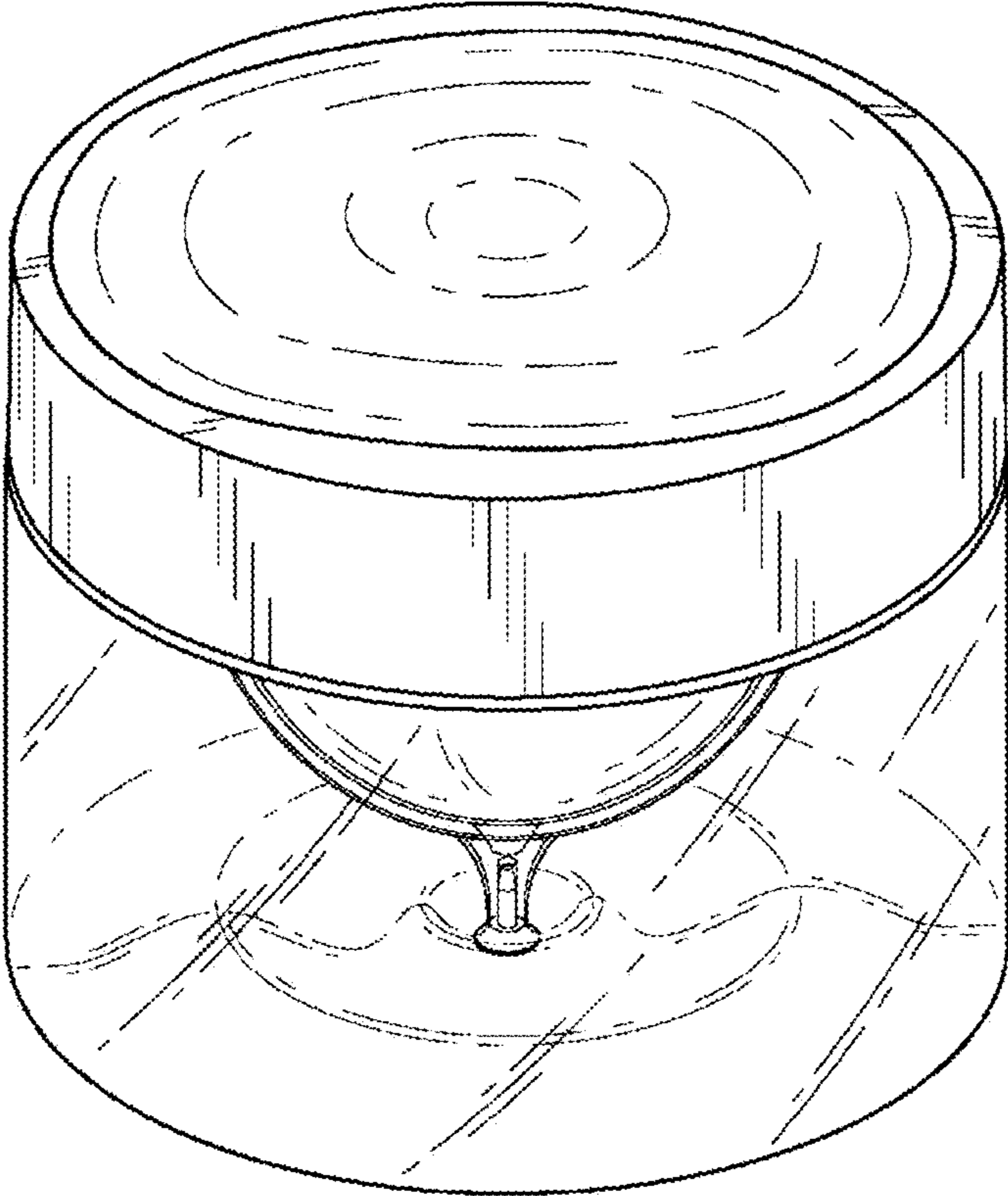


Fig. 2

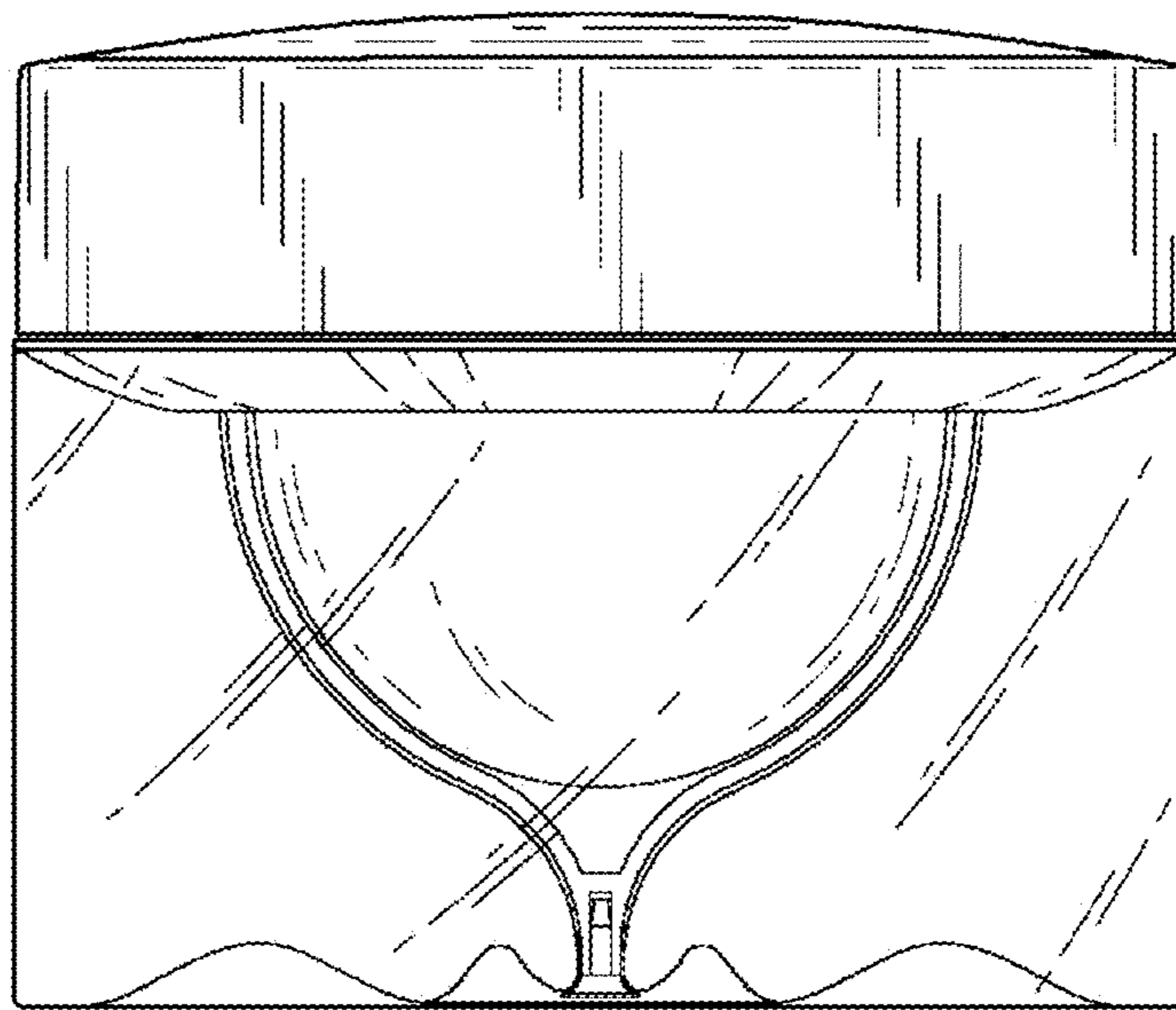


Fig. 3

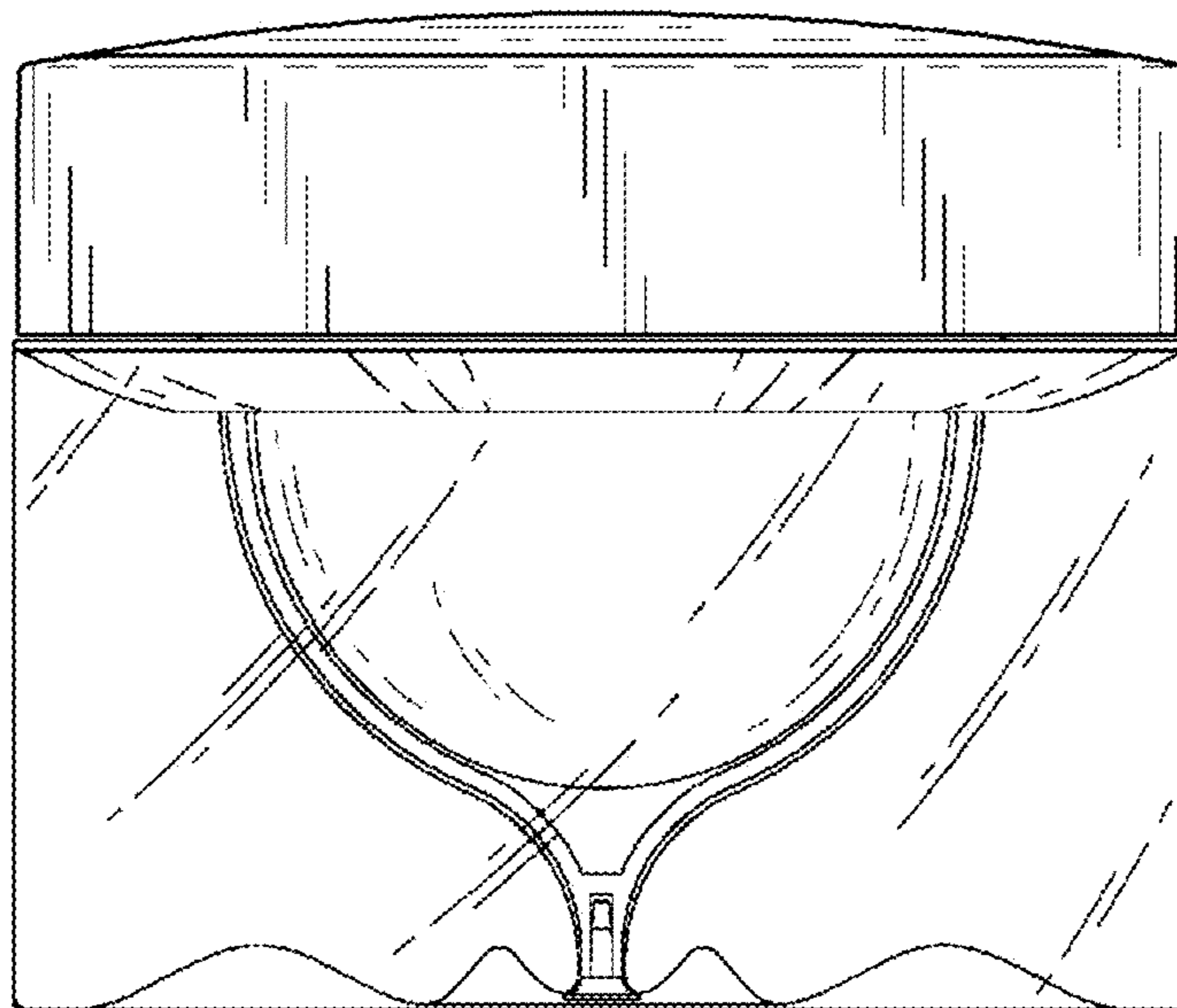


Fig. 4

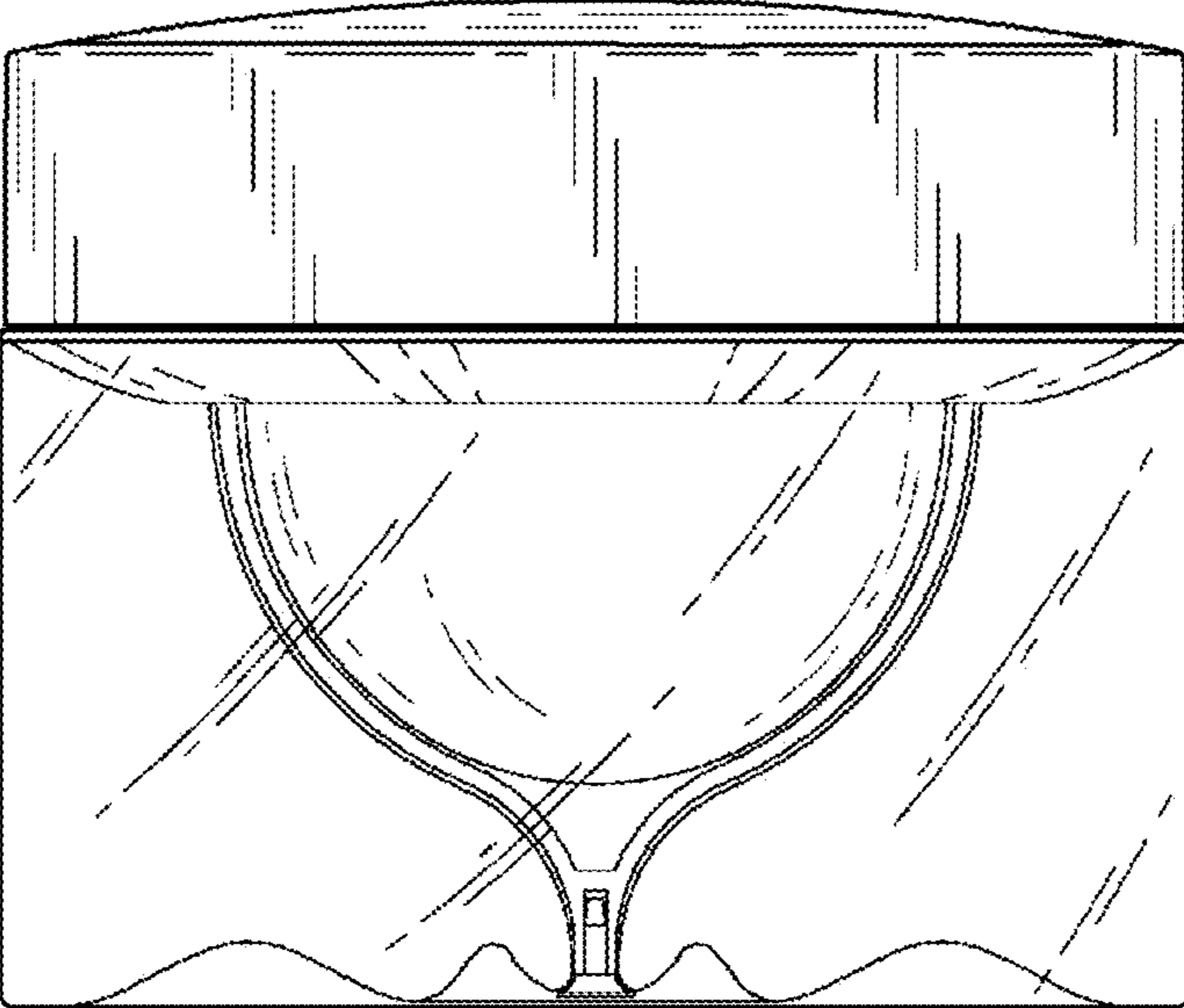


Fig. 5

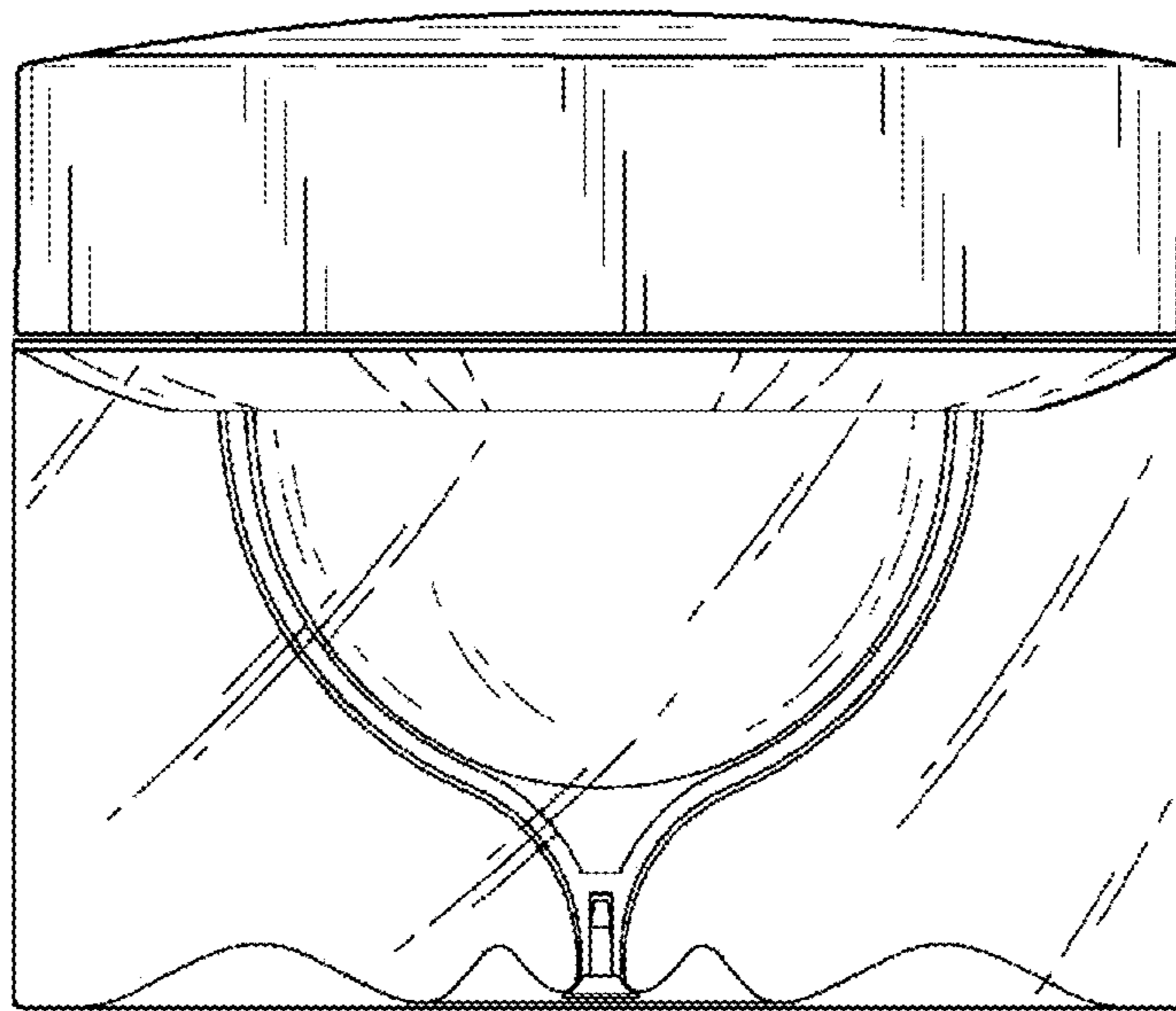


Fig. 6

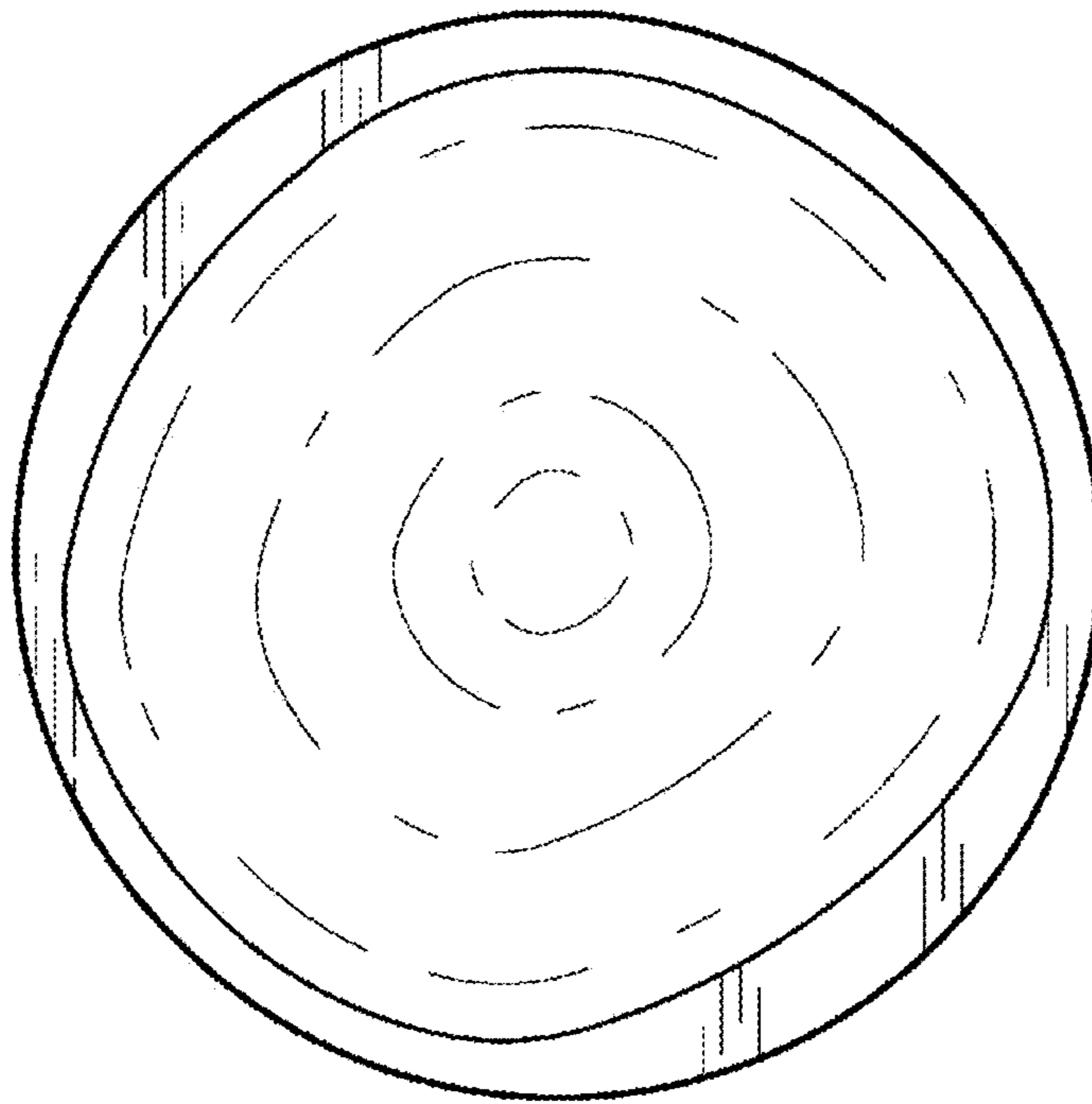


Fig. 7

