



US00D756219S

(12) **United States Design Patent**
Sanfilippo et al.

(10) **Patent No.:** **US D756,219 S**

(45) **Date of Patent:** **** May 17, 2016**

(54) **PACKAGE**

- (71) Applicant: **CLEAR LAM PACKAGING, INC.**,
Elk Grove Village, IL (US)
- (72) Inventors: **John E. Sanfilippo**, Barrington Hills, IL
(US); **James J. Sanfilippo**, Barrington
Hills, IL (US); **Milorad Radenovic**,
Chicago, IL (US)
- (73) Assignee: **CLEAR LAM PACKAGING, INC.**,
Elk Grove Village, IL (US)
- (**) Term: **14 Years**

(21) Appl. No.: **29/507,930**

(22) Filed: **Oct. 31, 2014**

(51) **LOC (10) Cl.** **09-03**

(52) **U.S. Cl.**
USPC **D9/435**

(58) **Field of Classification Search**
USPC D9/416, 414, 432, 431, 433, 423, 430,
D9/734, 739, 417, 418, 434; 229/123.3,
229/106, 108; D3/203.2
CPC B65D 75/008; B65D 2543/00194;
B65D 65/10

See application file for complete search history.

(56) **References Cited**

U.S. PATENT DOCUMENTS

| | | | |
|-----------|---|---------|----------|
| 2,017,176 | A | 10/1935 | Andrews |
| 2,041,227 | A | 5/1936 | Chalmers |
| 2,048,122 | A | 7/1936 | Howard |
| 2,092,858 | A | 9/1937 | Richard |
| 2,180,841 | A | 11/1939 | Vogt |

(Continued)

FOREIGN PATENT DOCUMENTS

| | | | |
|----|---------|----|--------|
| EP | 1106508 | A1 | 6/2001 |
| EP | 1508531 | A1 | 2/2005 |

(Continued)

OTHER PUBLICATIONS

Reynolds, "Doritos Gamer Packs function on multiple levels", Pack-
aging World (Nov. 14, 2013).

(Continued)

Primary Examiner — Philip S Hyder

Assistant Examiner — Keith Frank

(74) *Attorney, Agent, or Firm* — Marshall, Gerstein & Borun
LLP

(57) **CLAIM**

The ornamental design for a package, as shown and
described.

DESCRIPTION

FIG. 1 is a top right isometric view of first embodiment of a
package of the new design, shown with the lid in an open
position.

FIG. 2 is a top right isometric view of the package, with the lid
in the closed position.

FIG. 3 is a rear top left isometric view of the package.

FIG. 4 is a bottom left isometric view of the package.

FIG. 5 is a top plan view of the package.

FIG. 6 is a front elevational view of the package.

FIG. 7 is a right-side elevational view of the package. The left
side is a mirror image of this view.

FIG. 8 is a bottom plan view of the package.

FIG. 9 is a top right isometric view of a second embodiment
of a package of the new design, shown with the lid in the open
position.

FIG. 10 is a top right isometric view of the package, with the
lid in the closed position.

FIG. 11 is a rear top left isometric view of the package.

FIG. 12 is a bottom left isometric view of the package.

FIG. 13 is a top plan view of the package.

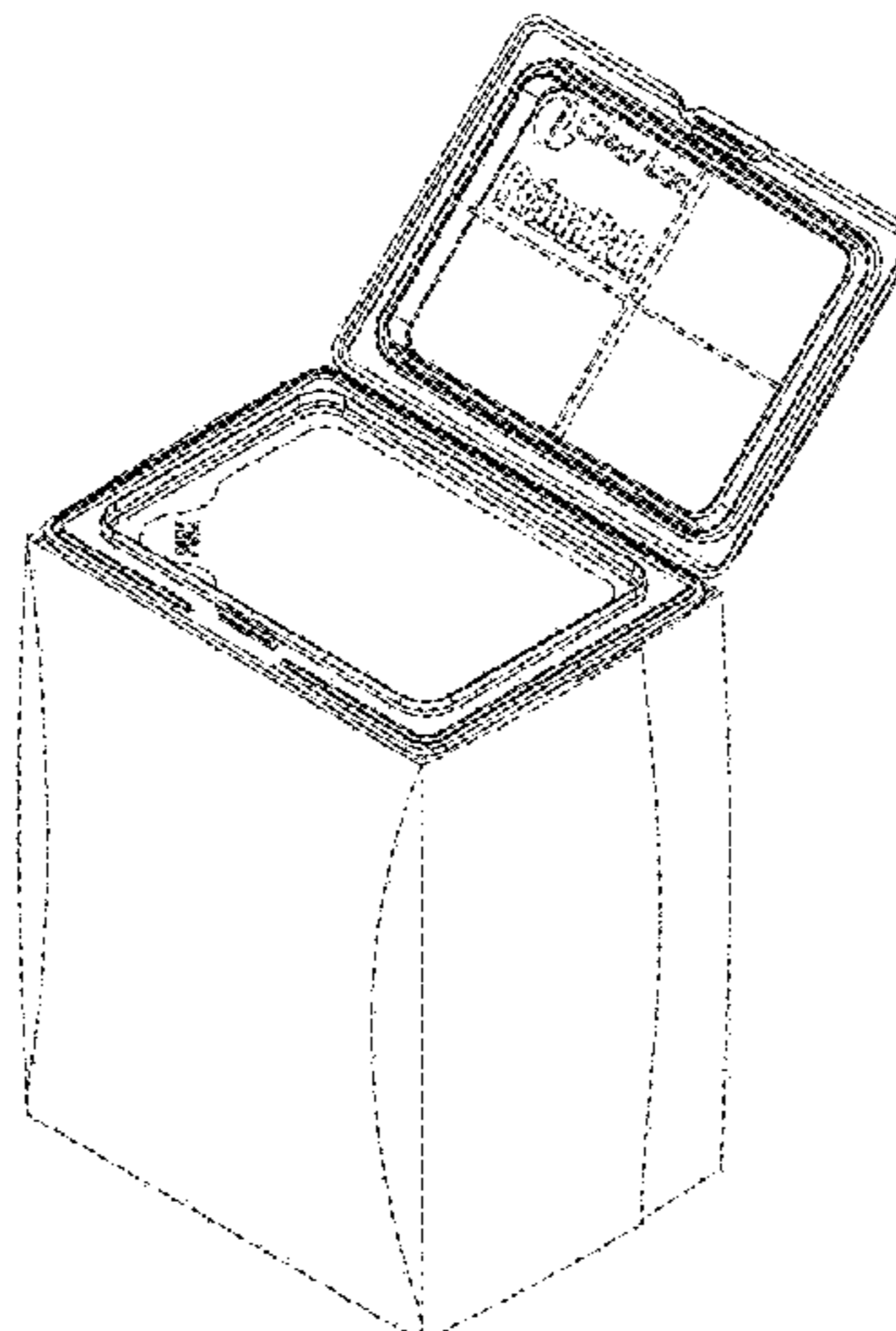
FIG. 14 is a front elevational view of the package.

FIG. 15 is a right-side elevational view of the package. The
left side is a mirror image of this view; and,

FIG. 16 is a bottom plan view of the package.

The broken lines represent elements of the package that form
no part of the claimed design.

1 Claim, 16 Drawing Sheets



(56)

References Cited

U.S. PATENT DOCUMENTS

| | | | | | |
|--------------|---------|------------------------|--------------|---------|----------------------------|
| 2,328,579 A | 9/1943 | Pelosi | D332,399 S | 1/1993 | Neff |
| 2,339,156 A | 1/1944 | Duane | D333,781 S | 3/1993 | Kobel |
| 2,352,766 A | 7/1944 | Bogue | 5,195,829 A | 3/1993 | Watkins et al. |
| 2,385,898 A | 10/1945 | Waters | 5,205,651 A | 4/1993 | Decottignies et al. |
| 2,416,332 A | 2/1947 | Lehman | 5,254,073 A | 10/1993 | Richison et al. |
| 2,508,962 A | 5/1950 | Moore | D351,090 S | 10/1994 | Narsutis |
| 2,524,766 A | 10/1950 | Carroll | 5,353,946 A | 10/1994 | Behrend |
| 2,619,226 A | 11/1952 | Adams | 5,356,069 A | 10/1994 | Bochet et al. |
| 2,750,093 A | 6/1956 | Moore | 5,366,104 A | 11/1994 | Armstrong |
| 2,758,775 A | 8/1956 | Moore | D354,435 S * | 1/1995 | Krupa D9/423 |
| 2,819,831 A | 1/1958 | Polarek et al. | D354,436 S | 1/1995 | Krupa |
| 2,936,940 A | 5/1960 | Berghgracht | D364,563 S | 11/1995 | Miller et al. |
| 2,970,735 A | 2/1961 | Jacke | 5,498,080 A | 3/1996 | Dalea et al. |
| 3,006,257 A | 10/1961 | Orsini | 5,505,305 A | 4/1996 | Scholz et al. |
| D194,246 S * | 12/1962 | Engelmann D9/420 | 5,542,902 A | 8/1996 | Richison et al. |
| 3,127,082 A | 3/1964 | Meyer-Jagenberg | 5,556,026 A | 9/1996 | Blankitny |
| 3,154,215 A | 10/1964 | Le Vesconte | D374,774 S | 10/1996 | Cassel |
| 3,228,584 A | 1/1966 | Ashton | 5,577,612 A | 11/1996 | Chesson et al. |
| 3,259,303 A | 7/1966 | Repko | 5,611,452 A | 3/1997 | Bonora et al. |
| 3,314,591 A | 4/1967 | Cheeley | 5,613,608 A | 3/1997 | Tronchetti et al. |
| 3,344,974 A | 10/1967 | Bostrom | 5,655,706 A | 8/1997 | Vandiver |
| 3,349,959 A | 10/1967 | Watkins | D386,001 S | 11/1997 | Saffran |
| 3,373,917 A | 3/1968 | Cox | 5,704,480 A | 1/1998 | Scholz et al. |
| 3,380,646 A | 4/1968 | Doyen et al. | D394,606 S | 5/1998 | Zorn et al. |
| 3,426,499 A | 2/1969 | Paige | 5,770,839 A | 6/1998 | Ruebush et al. |
| 3,434,652 A | 3/1969 | Shore | 5,772,332 A | 6/1998 | Geller |
| 3,437,258 A | 4/1969 | Kugler | D395,952 S | 7/1998 | Buczynski et al. |
| 3,462,067 A | 8/1969 | Shore | 5,785,179 A | 7/1998 | Buczynski et al. |
| 3,505,779 A | 4/1970 | Kopp | 5,788,121 A | 8/1998 | Sasaki et al. |
| 3,562,392 A | 2/1971 | Mylus | 5,788,378 A | 8/1998 | Thomas |
| 3,604,491 A | 9/1971 | Spiess | 5,791,465 A | 8/1998 | Niki et al. |
| 3,737,095 A | 6/1973 | Derauf | D398,526 S | 9/1998 | Schwarz et al. |
| 3,738,567 A | 6/1973 | Ruda | D398,844 S | 9/1998 | Oberloier |
| 3,739,977 A | 6/1973 | Shapiro et al. | 5,799,863 A | 9/1998 | Capy et al. |
| 3,785,112 A | 1/1974 | Leasure et al. | 5,826,401 A | 10/1998 | Bois |
| 3,917,158 A | 11/1975 | Dorofachuk et al. | D402,461 S * | 12/1998 | Au D3/273 |
| 3,935,993 A | 2/1976 | Doyen et al. | 5,842,790 A | 12/1998 | Imer |
| 3,940,054 A | 2/1976 | Goebel et al. | 5,862,652 A | 1/1999 | Schoeler |
| 3,968,921 A | 7/1976 | Jewell | D407,973 S * | 4/1999 | Miller et al. D9/423 |
| 3,980,225 A | 9/1976 | Kan | D409,484 S | 5/1999 | Tasker |
| 4,041,851 A | 8/1977 | Jentsch | D412,439 S | 8/1999 | Cormack |
| 4,101,051 A | 7/1978 | Reil | 6,005,234 A | 12/1999 | Moseley et al. |
| 4,129,976 A | 12/1978 | Grundler et al. | 6,021,624 A | 2/2000 | Richison et al. |
| 4,197,949 A | 4/1980 | Carlsson | 6,026,953 A | 2/2000 | Nakamura et al. |
| 4,308,679 A | 1/1982 | Ray, III et al. | D421,901 S | 3/2000 | Hill |
| D265,777 S | 8/1982 | Elzea et al. | D421,902 S | 3/2000 | Hill |
| 4,345,393 A | 8/1982 | Price et al. | 6,036,365 A | 3/2000 | Imer |
| D266,049 S | 9/1982 | Conti | D427,056 S | 6/2000 | Irace et al. |
| 4,351,473 A | 9/1982 | Manizza | D430,022 S * | 8/2000 | Goettner D9/416 |
| 4,353,497 A | 10/1982 | Bustin | 6,113,271 A | 9/2000 | Scott et al. |
| 4,512,476 A | 4/1985 | Herrington, Jr. | 6,120,183 A | 9/2000 | Buchanan et al. |
| 4,531,668 A | 7/1985 | Forbes, Jr. | D431,464 S | 10/2000 | Collins et al. |
| 4,576,309 A | 3/1986 | Tzifkansky et al. | 6,137,098 A | 10/2000 | Moseley et al. |
| D285,777 S | 9/1986 | Forbes, Jr. | D433,942 S * | 11/2000 | Persson et al. D9/432 |
| D286,745 S | 11/1986 | Forbes, Jr. | D434,320 S * | 11/2000 | Timm D9/423 |
| 4,687,104 A | 8/1987 | Ielmini | 6,149,304 A | 11/2000 | Hamilton et al. |
| 4,738,365 A | 4/1988 | Prater | D437,686 S | 2/2001 | Balzar et al. |
| 4,746,019 A | 5/1988 | Prater | D437,689 S | 2/2001 | Chen |
| D297,214 S | 8/1988 | Forbes, Jr. | 6,182,887 B1 | 2/2001 | Ljunstrom et al. |
| 4,790,436 A | 12/1988 | Nakamura | 6,229,061 B1 | 5/2001 | Dragoo et al. |
| 4,798,295 A | 1/1989 | Rausing | 6,231,237 B1 | 5/2001 | Geller |
| 4,837,849 A | 6/1989 | Erickson et al. | 6,261,215 B1 | 7/2001 | Imer |
| 4,848,575 A | 7/1989 | Nakamura et al. | D446,012 S * | 8/2001 | Ashiwa et al. D3/273 |
| 4,851,246 A | 7/1989 | Maxwell et al. | D446,014 S | 8/2001 | Adkins |
| D304,016 S | 10/1989 | Forbes, Jr. | 6,273,610 B1 | 8/2001 | Koyama et al. |
| D311,686 S * | 10/1990 | Tozawa D9/423 | 6,274,181 B1 | 8/2001 | Richison et al. |
| D315,099 S | 3/1991 | Alizard | D447,689 S | 9/2001 | Navet et al. |
| D316,037 S | 4/1991 | Kea | D450,960 S | 11/2001 | Boyea et al. |
| 5,036,997 A | 8/1991 | May et al. | D451,385 S | 12/2001 | Bryan et al. |
| 5,044,777 A | 9/1991 | Watkins et al. | D452,374 S | 12/2001 | Kim |
| 5,059,036 A | 10/1991 | Richison et al. | 6,325,239 B2 | 12/2001 | Randall et al. |
| 5,065,887 A | 11/1991 | Schuh et al. | D454,495 S | 3/2002 | Bryan et al. |
| 5,158,371 A | 10/1992 | Moravek | D459,652 S | 7/2002 | Beutler |
| | | | 6,423,356 B2 | 7/2002 | Richison et al. |
| | | | D461,403 S | 8/2002 | Chomik et al. |
| | | | D461,404 S | 8/2002 | Steiger |
| | | | D463,276 S | 9/2002 | Piscopo et al. |
| | | | 6,446,796 B1 | 9/2002 | Schmidt |
| | | | D464,566 S | 10/2002 | Anchor et al. |

(56)

References Cited

U.S. PATENT DOCUMENTS

D464,884 S 10/2002 Sumpmann et al.
 D464,894 S 10/2002 Mittersinker et al.
 6,481,183 B1 11/2002 Schmidt
 D466,807 S 12/2002 Buck et al.
 6,488,175 B2 12/2002 Shiffler et al.
 D468,638 S * 1/2003 Nogami et al. D9/430
 6,510,673 B1 1/2003 Visona' et al.
 6,513,308 B1 2/2003 Meeuwesen et al.
 D471,804 S 3/2003 Staples
 D473,461 S 4/2003 Joubert
 6,615,567 B2 9/2003 Kuhn et al.
 6,659,645 B1 12/2003 Schulz
 D485,461 S 1/2004 Sams et al.
 6,679,034 B2 1/2004 Kohl et al.
 D486,731 S 2/2004 Meeker et al.
 6,695,757 B2 2/2004 Edwards et al.
 D487,192 S 3/2004 Farnham et al.
 D489,530 S 5/2004 Lindsay
 6,729,112 B2 5/2004 Kuss et al.
 6,736,309 B1 5/2004 Westerman et al.
 D492,200 S * 6/2004 Solowiejko et al. D9/416
 6,746,388 B2 6/2004 Edwards et al.
 6,761,279 B1 7/2004 Martin et al.
 6,783,277 B2 8/2004 Edwards et al.
 D495,950 S * 9/2004 Cotert et al. D9/721
 6,817,160 B2 11/2004 Schmidt
 D501,134 S 1/2005 Takahashi et al.
 6,845,602 B2 1/2005 Drut
 D502,095 S 2/2005 Tucker et al.
 D503,336 S 3/2005 Tucker et al.
 D504,622 S 5/2005 Takahashi et al.
 6,918,532 B2 7/2005 Sierra-Gomez et al.
 D510,263 S 10/2005 Isono et al.
 6,953,069 B2 10/2005 Galomb
 D513,870 S 1/2006 Rosine et al.
 D514,437 S * 2/2006 Kim D9/416
 D514,439 S 2/2006 Snedden et al.
 D521,373 S * 5/2006 Stanton D9/430
 D521,376 S * 5/2006 Mosto D9/430
 D528,010 S 9/2006 Yashima et al.
 D531,894 S 11/2006 Ramirez et al.
 7,153,026 B2 12/2006 Galomb
 D535,187 S 1/2007 Clark et al.
 7,156,556 B2 1/2007 Takahashi et al.
 D536,608 S 2/2007 Arkins
 D539,134 S 3/2007 Wallach
 D540,187 S 4/2007 Duffy
 D542,650 S * 5/2007 McDowell et al. D9/782
 7,213,710 B2 5/2007 Cotert
 D544,344 S * 6/2007 Liebe et al. D9/420
 D544,345 S * 6/2007 Liebe et al. D9/423
 D544,762 S 6/2007 Zimmerman
 D545,186 S 6/2007 Liebe et al.
 D548,080 S 8/2007 Brown et al.
 D549,096 S * 8/2007 Ayats et al. D9/430
 D551,508 S 9/2007 Friedland et al.
 D552,468 S 10/2007 Seum et al.
 D552,470 S 10/2007 Kawaguchi et al.
 7,299,608 B2 11/2007 Kohl et al.
 D558,047 S * 12/2007 Pinkstone D9/430
 D563,219 S 3/2008 Okin et al.
 D568,763 S 5/2008 Keberlein
 D569,719 S 5/2008 Ross
 D571,146 S 6/2008 Sanfilippo et al.
 D571,197 S 6/2008 Sanfilippo et al.
 D591,555 S 5/2009 Sanfilippo et al.
 D593,369 S 6/2009 Green et al.
 D598,745 S * 8/2009 Bohache et al. D9/430
 D604,502 S 11/2009 Lee et al.
 D608,193 S 1/2010 Sanfilippo et al.
 7,665,629 B2 2/2010 Julius et al.
 7,665,895 B2 2/2010 Takita et al.
 7,780,006 B2 8/2010 Clark, Jr. et al.
 D629,296 S 12/2010 De Muynck
 7,870,994 B2 1/2011 Spivey, Sr. et al.

D637,577 S 5/2011 Han et al.
 D639,679 S 6/2011 Kissner et al.
 7,993,256 B2 8/2011 Takita et al.
 8,006,833 B2 8/2011 Clark, Jr. et al.
 8,038,349 B2 10/2011 Andersson et al.
 D648,302 S 11/2011 Park et al.
 8,066,137 B2 11/2011 Sanfilippo et al.
 8,132,395 B2 3/2012 Gehring et al.
 8,231,024 B2 7/2012 Sanfilippo et al.
 D667,733 S 9/2012 Beihoffer et al.
 D668,949 S 10/2012 Hipperson et al.
 8,276,353 B2 10/2012 Reaves et al.
 8,308,363 B2 11/2012 Vogt et al.
 D676,014 S 2/2013 Chung
 D680,438 S * 4/2013 Ashley D9/600
 D682,244 S 5/2013 Park et al.
 D683,245 S 5/2013 Palmer et al.
 D684,853 S 6/2013 Dagnino
 D686,181 S 7/2013 Jeong
 D689,767 S 9/2013 Clark et al.
 D689,769 S 9/2013 Oates et al.
 D696,107 S 12/2013 Kimple et al.
 8,602,242 B2 12/2013 Sanfilippo et al.
 8,602,244 B2 12/2013 Sanfilippo et al.
 D702,117 S 4/2014 Dagnino
 D703,036 S 4/2014 Baumwald et al.
 D706,629 S 6/2014 Bartels et al.
 D707,121 S 6/2014 Choi
 D710,215 S 8/2014 Palmer et al.
 D710,687 S 8/2014 Katopo et al.
 D721,576 S * 1/2015 De Pietri Tonelli et al. ... D9/431
 D726,535 S * 4/2015 Sanfilippo et al. D9/434
 D733,549 S * 7/2015 Sanfilippo et al. D9/414
 D734,144 S * 7/2015 Sanfilippo et al. D9/416
 2001/0005979 A1 7/2001 Kuss et al.
 2001/0040107 A1 11/2001 Toure et al.
 2002/0094922 A1 7/2002 Edwards et al.
 2003/0041564 A1 3/2003 Schmidt
 2003/0059130 A1 3/2003 Yoneyama et al.
 2003/0100424 A1 5/2003 Barmore et al.
 2003/0111523 A1 6/2003 Haugan
 2003/0230504 A1 12/2003 Hamming
 2004/0089578 A1 5/2004 Lin
 2004/0099570 A1 5/2004 Cargile
 2004/0185156 A1 9/2004 Garwood
 2004/0188457 A1 9/2004 Galomb
 2004/0226625 A1 11/2004 Galomb
 2004/0232029 A1 11/2004 Cotert
 2004/0251163 A1 12/2004 Conde et al.
 2005/0011906 A1 1/2005 Buck et al.
 2005/0053315 A1 3/2005 Aasen
 2005/0069230 A1 3/2005 Takahashi et al.
 2005/0109827 A1 5/2005 Martin
 2005/0150785 A1 7/2005 Julius et al.
 2005/0189367 A1 9/2005 Chasid et al.
 2005/0208188 A1 9/2005 Garwood
 2005/0276525 A1 12/2005 Hebert et al.
 2006/0076352 A1 4/2006 Peterson et al.
 2006/0283750 A1 12/2006 Villars et al.
 2007/0151887 A1 7/2007 Clark et al.
 2009/0039078 A1 2/2009 Sanfilippo et al.
 2009/0120828 A1 5/2009 Sanfilippo et al.
 2009/0152290 A1 6/2009 Wang et al.
 2010/0113240 A1 5/2010 Takita et al.
 2010/0140129 A1 6/2010 Sanfilippo et al.
 2011/0297690 A1 12/2011 Teys et al.
 2012/0125937 A1 5/2012 Ahlstrom et al.
 2013/0121624 A1 5/2013 Lyzenga et al.
 2014/0083897 A1 3/2014 Sanfilippo et al.
 2014/0102936 A1 4/2014 Sanfilippo et al.
 2014/0109522 A1 4/2014 Sanfilippo et al.

FOREIGN PATENT DOCUMENTS

FR 2766794 A1 2/1999
 JP 10-203560 8/1998
 WO WO-86/06344 A1 11/1986

(56)

References Cited

FOREIGN PATENT DOCUMENTS

WO WO-00/12407 A1 3/2000
WO WO-02/085726 A1 10/2002
WO WO-2004110885 A1 12/2004

OTHER PUBLICATIONS

Color photographs of Frito-Lay Doritos "Gamer Pack" package (circa 2013).

* cited by examiner

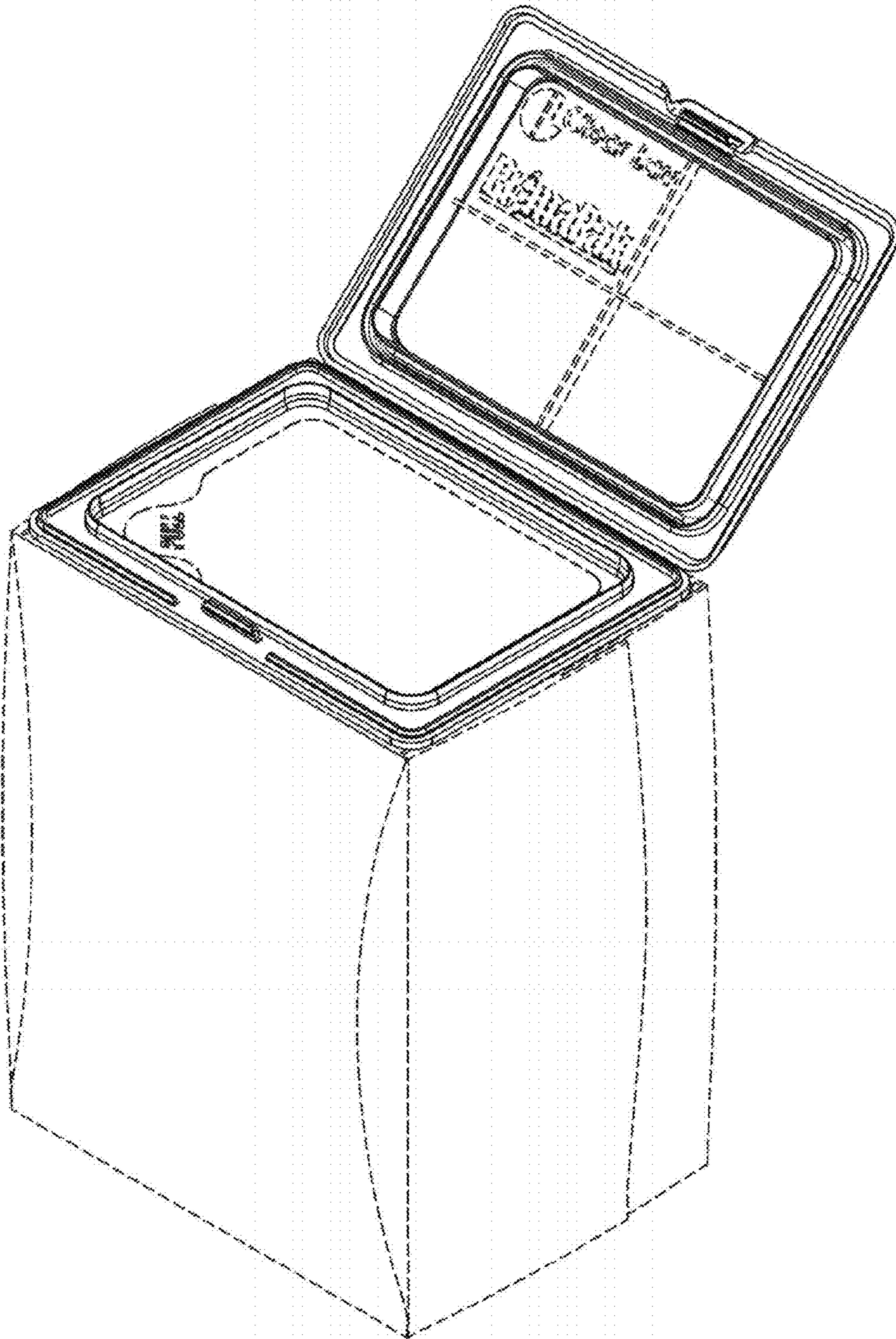


Fig. 1

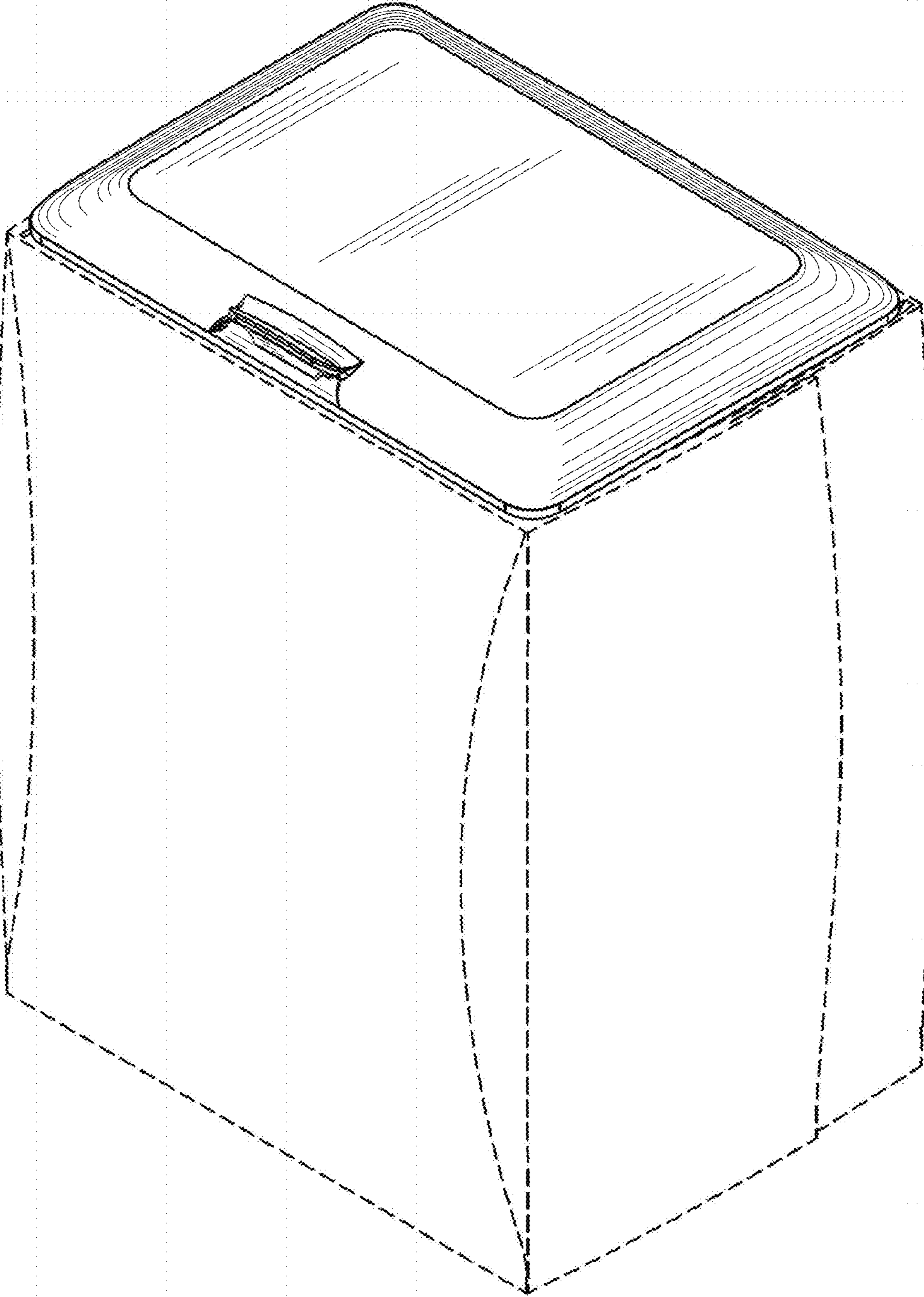


Fig. 2

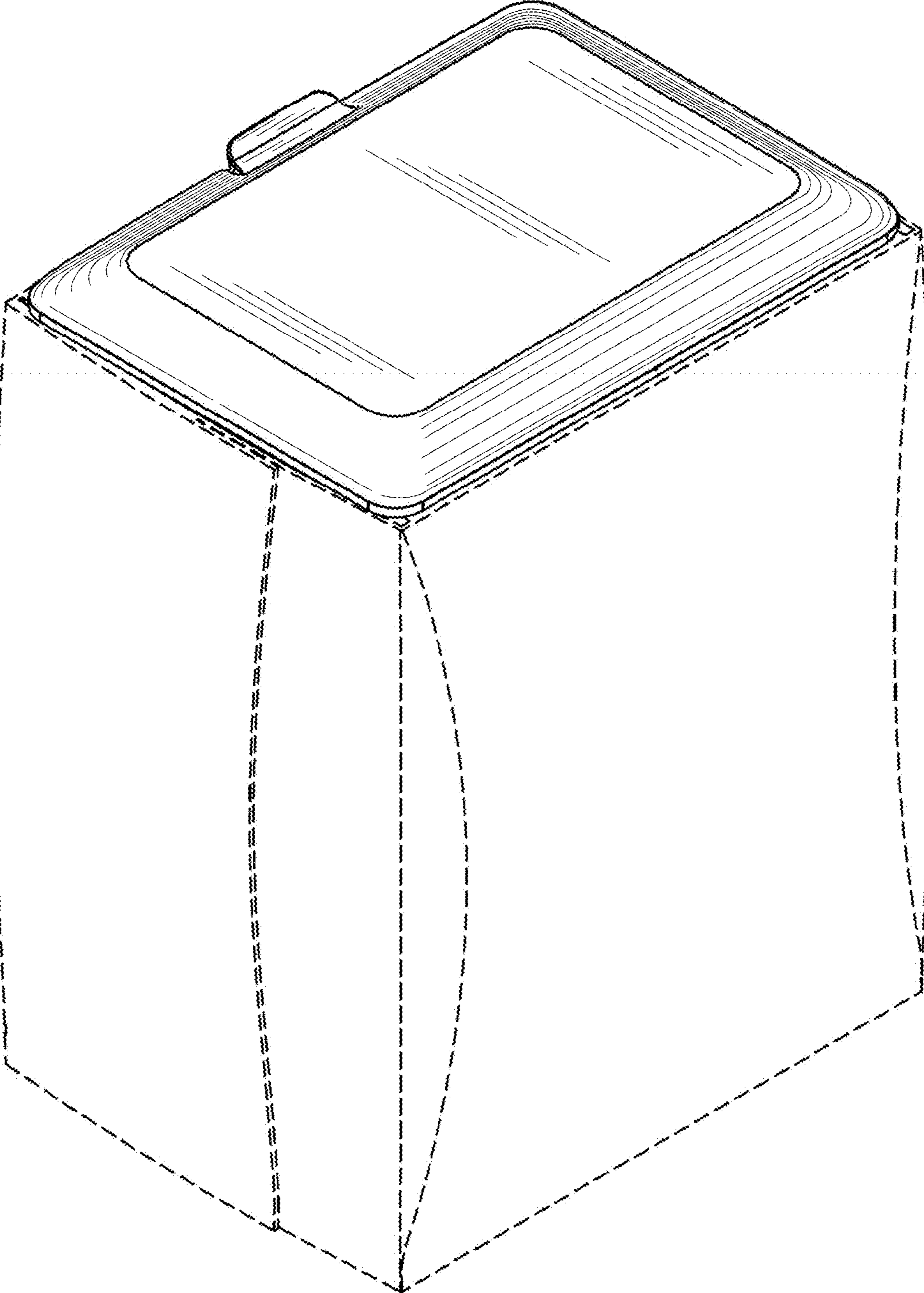


Fig. 3

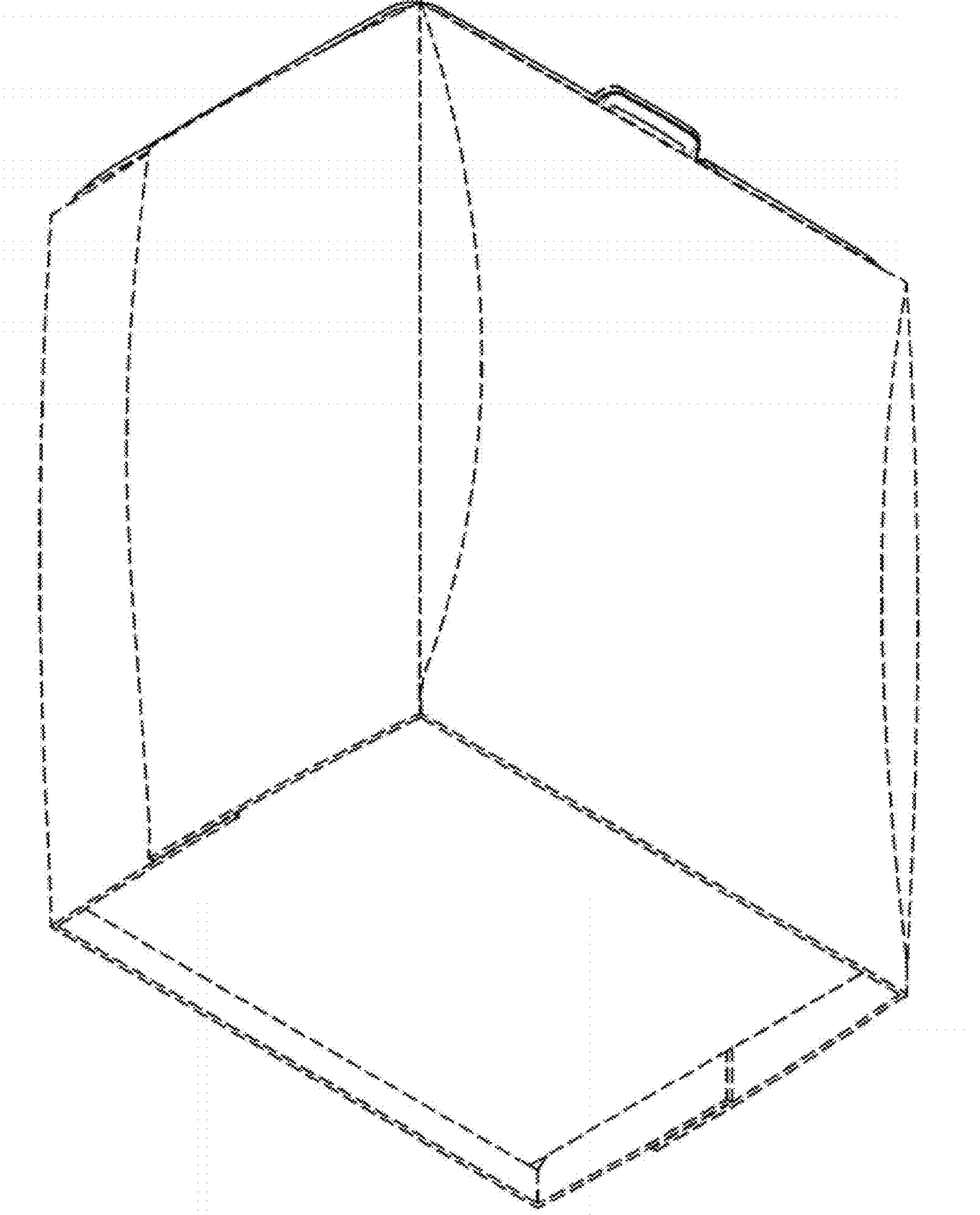


Fig. 4

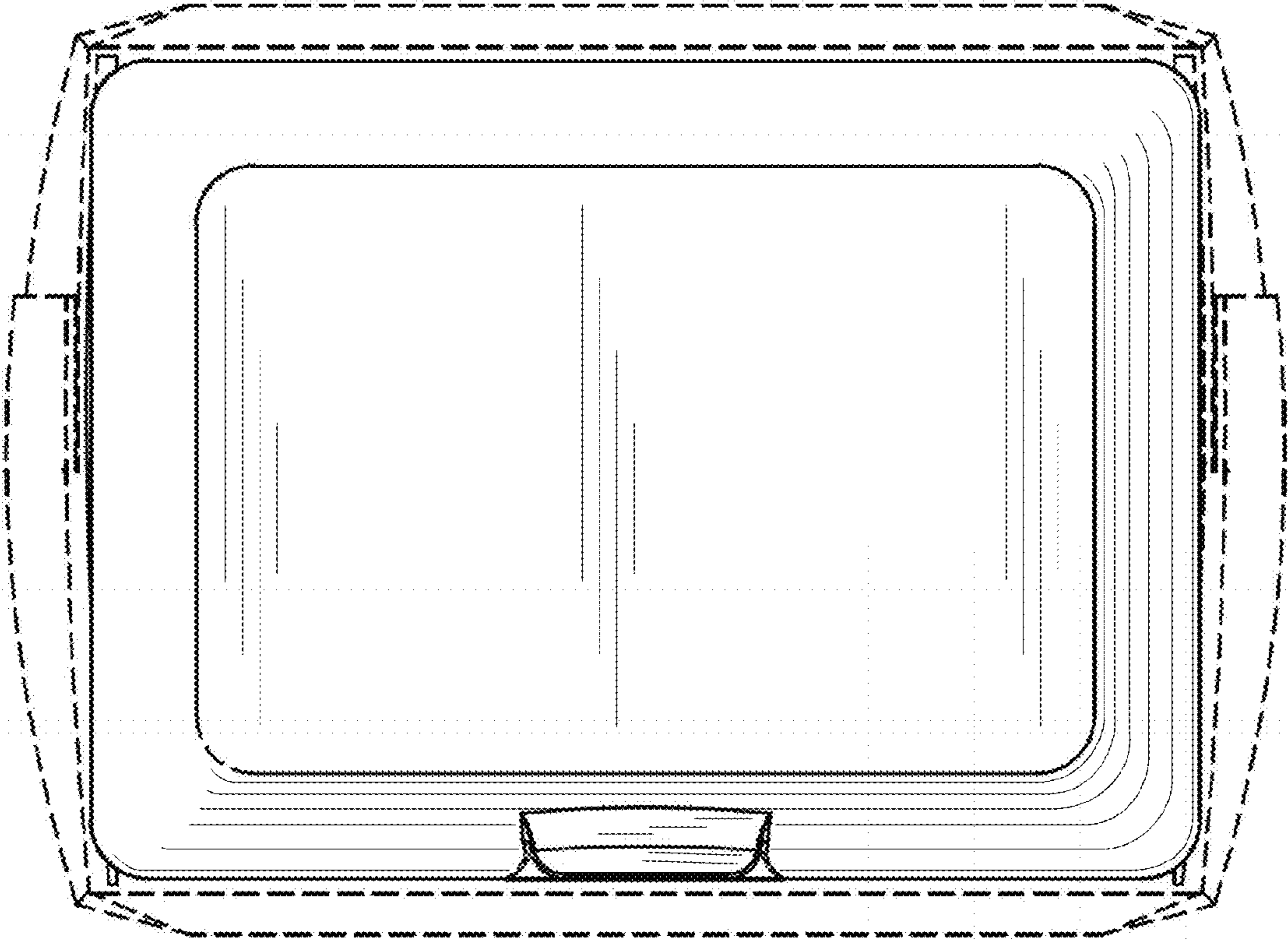


Fig. 5

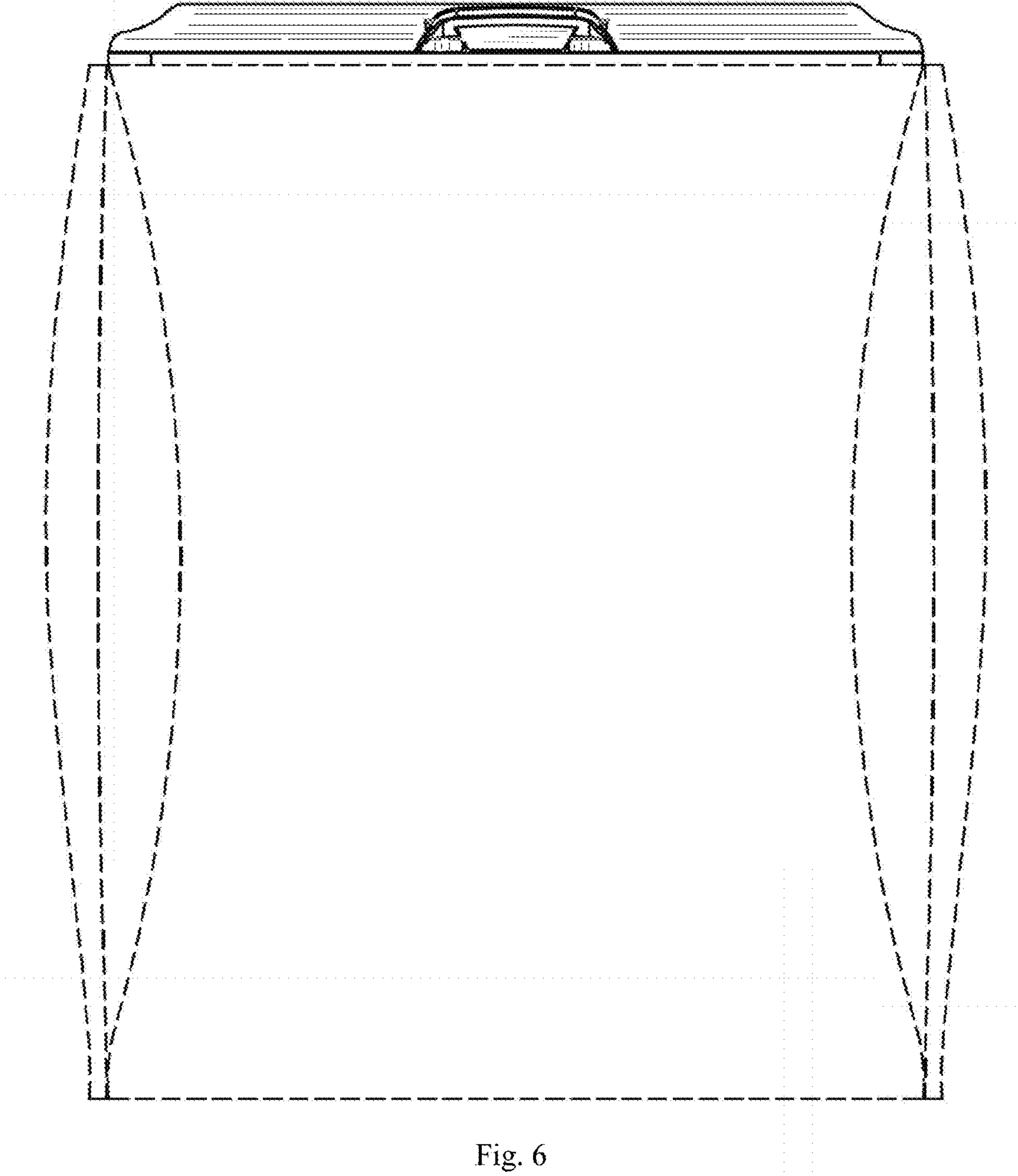


Fig. 6

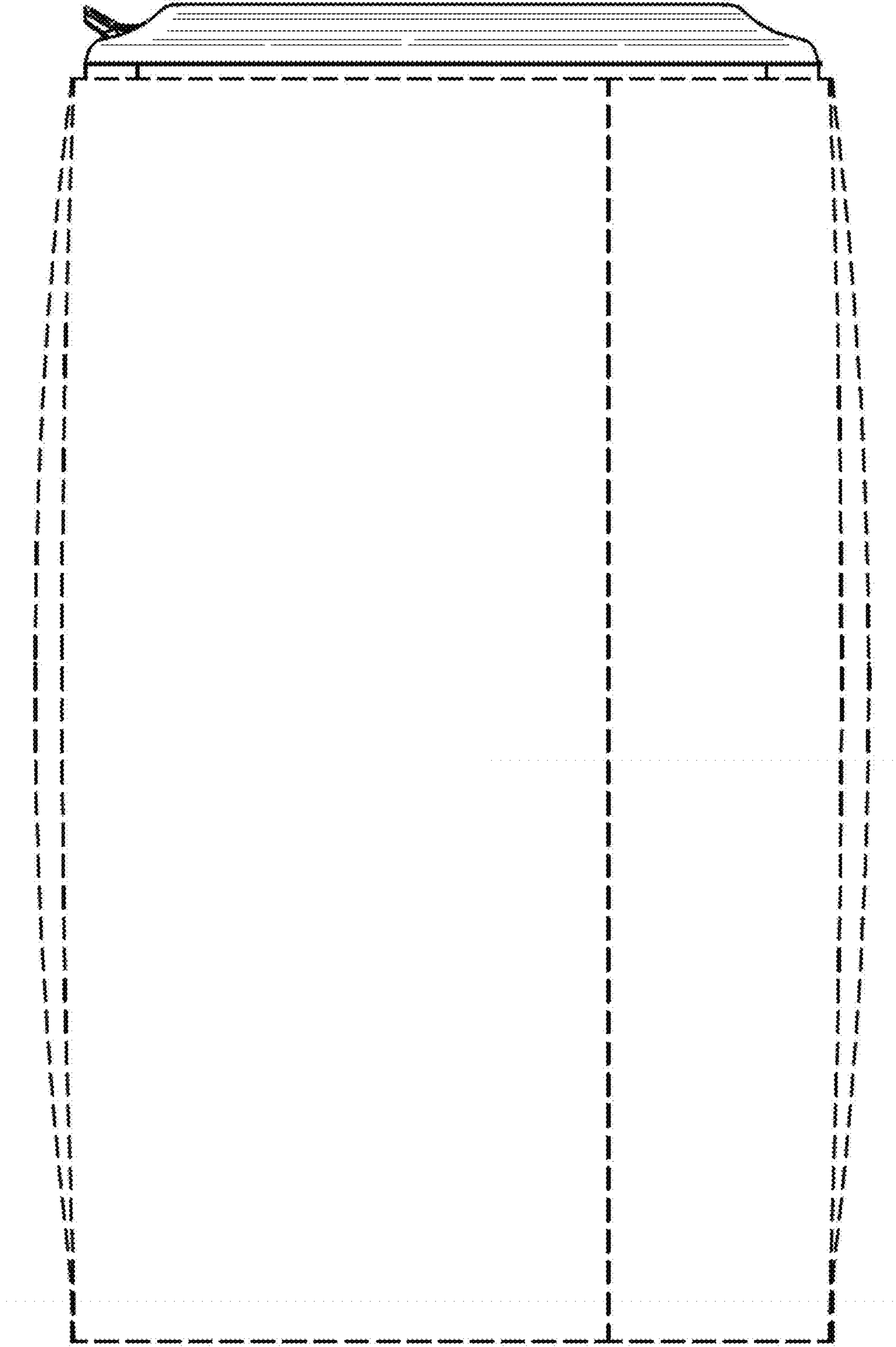


Fig. 7



Fig. 8

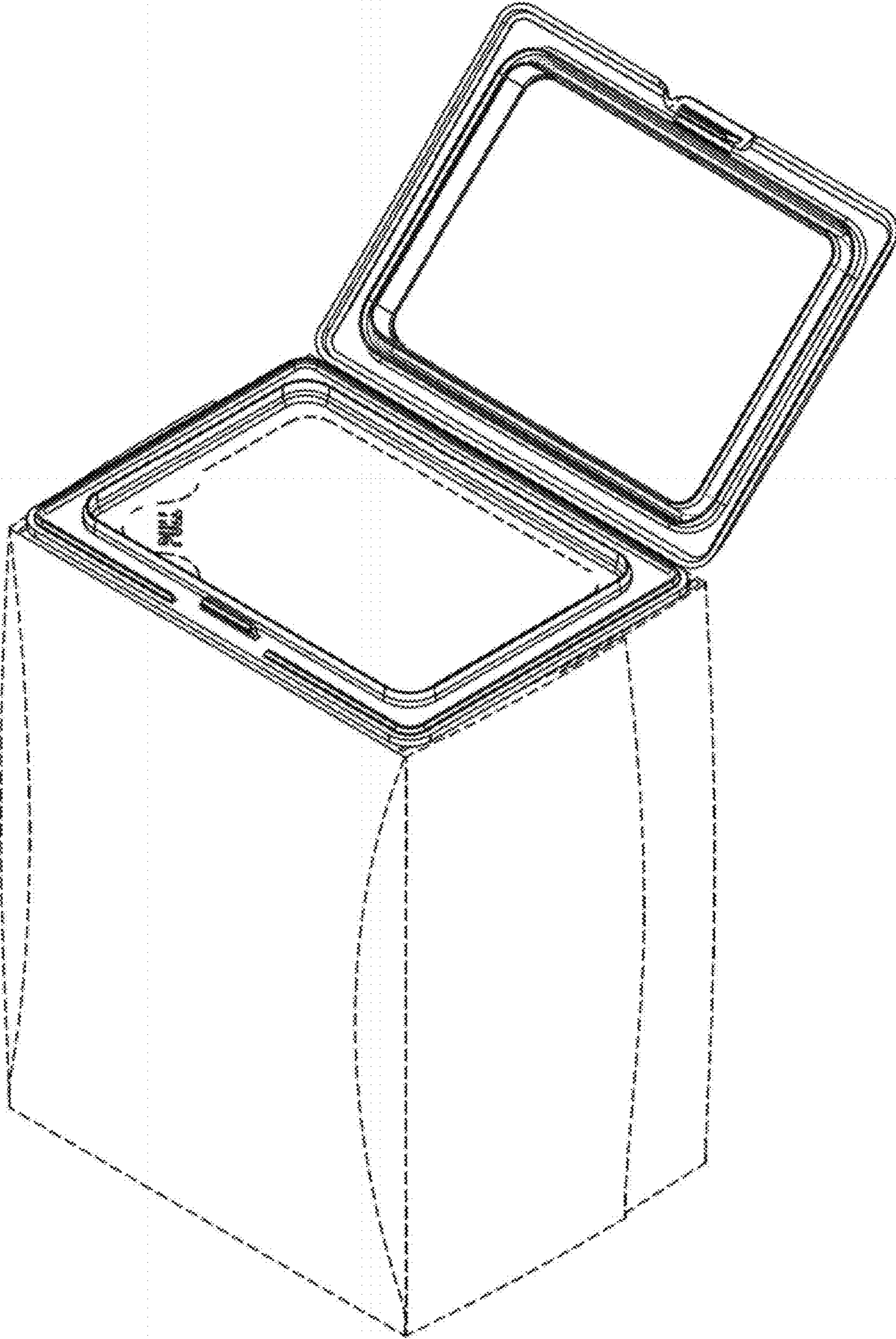


Fig. 9

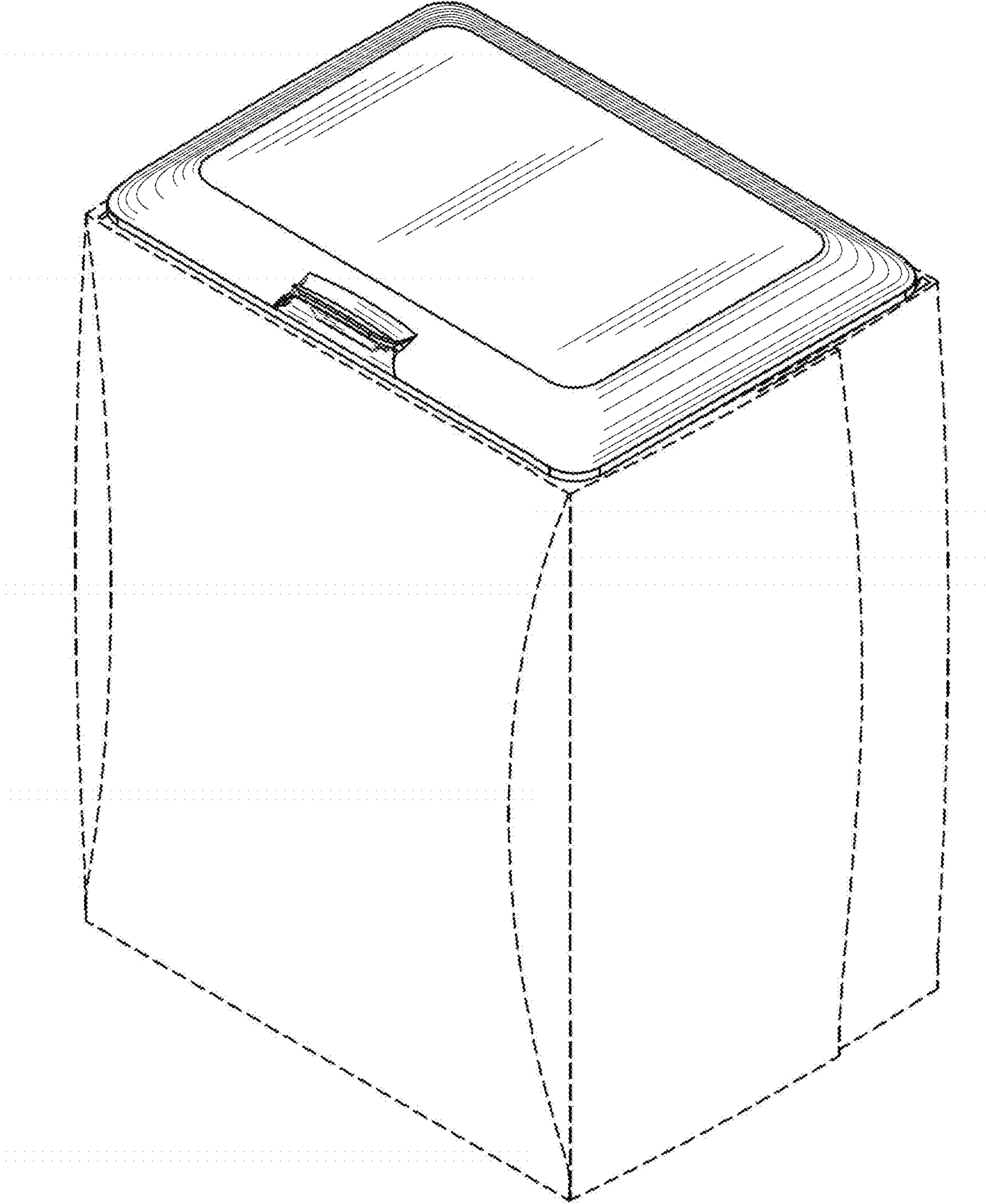


Fig. 10

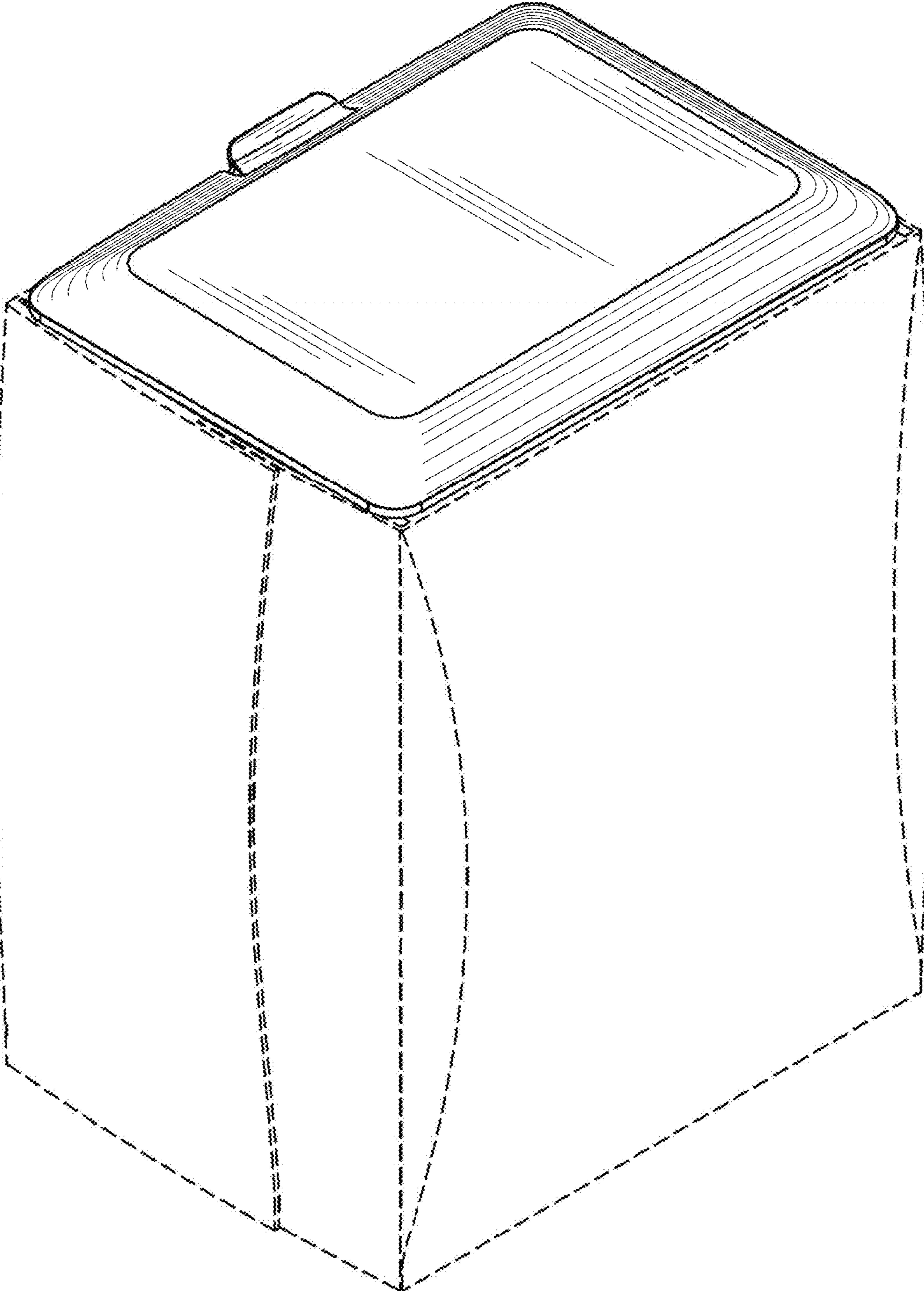


Fig. 11

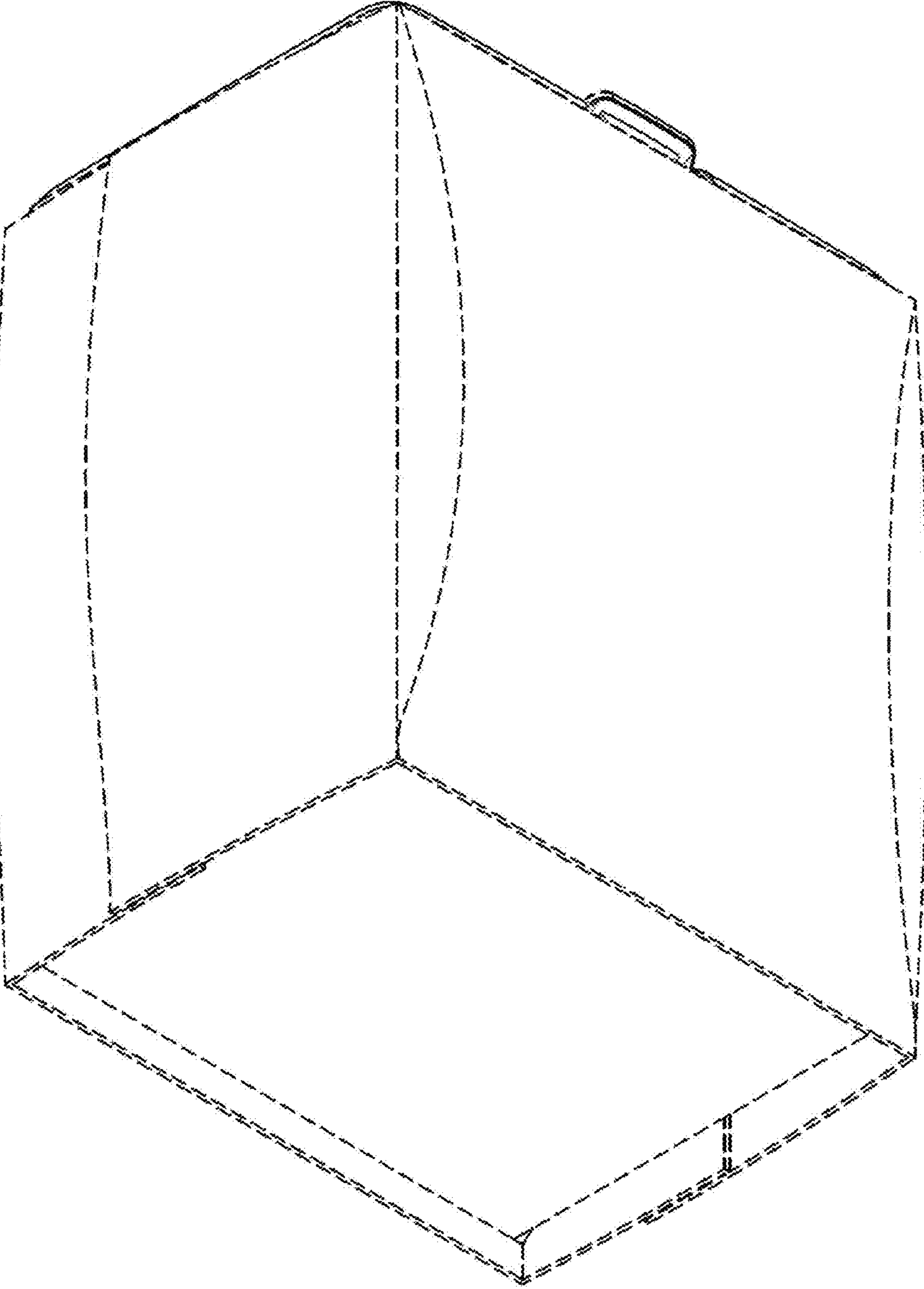


Fig. 12

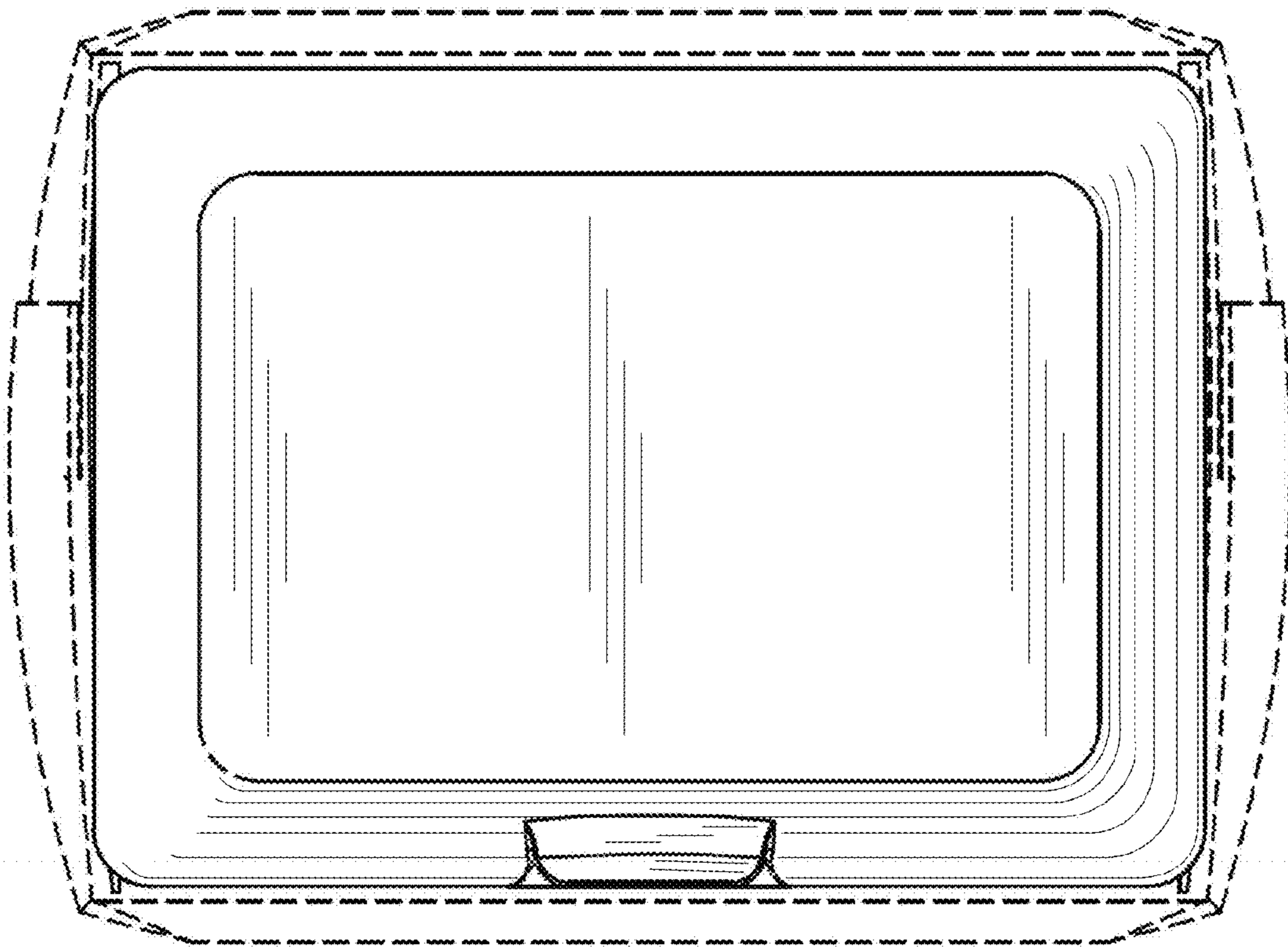


Fig. 13

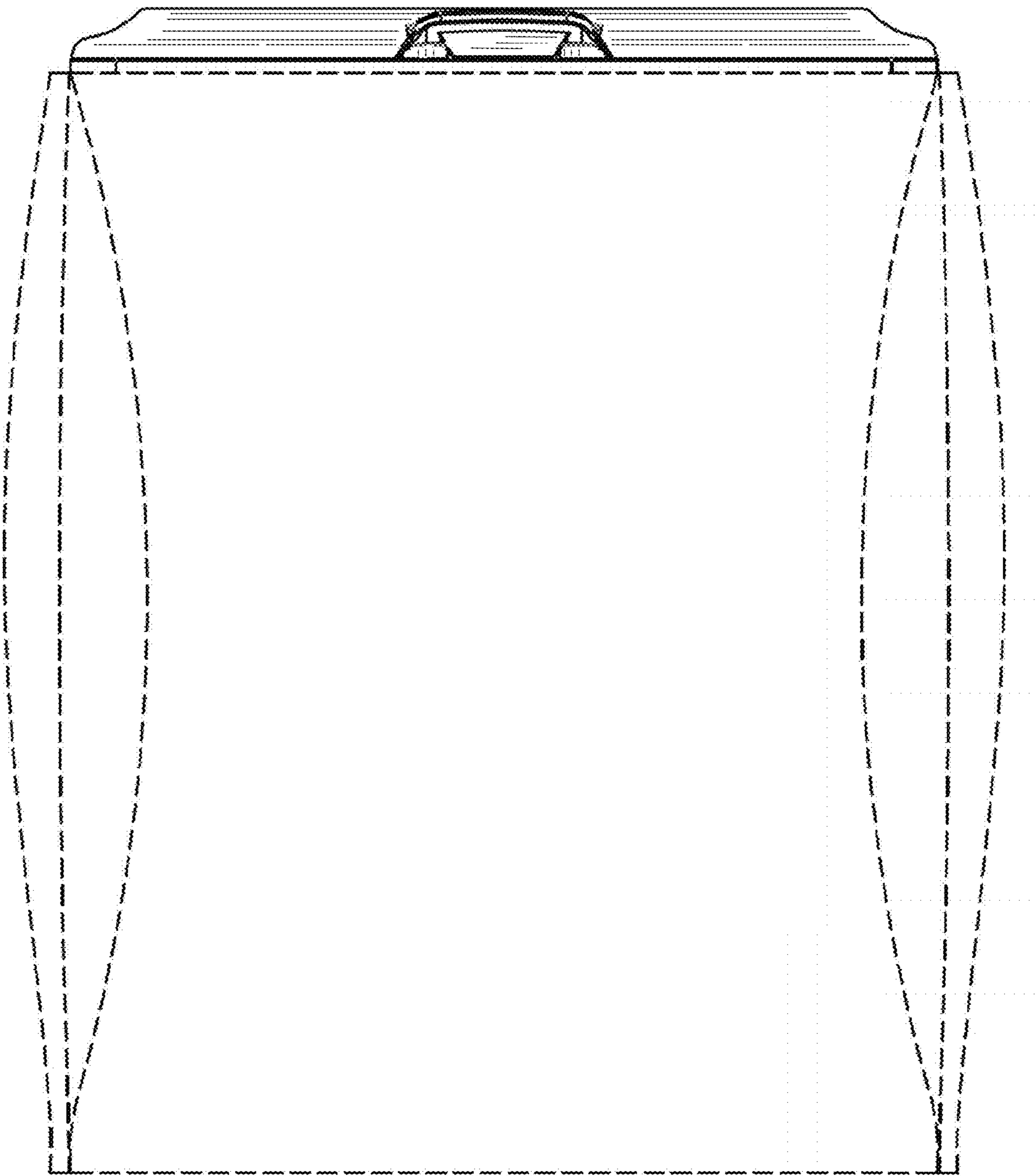


Fig. 14

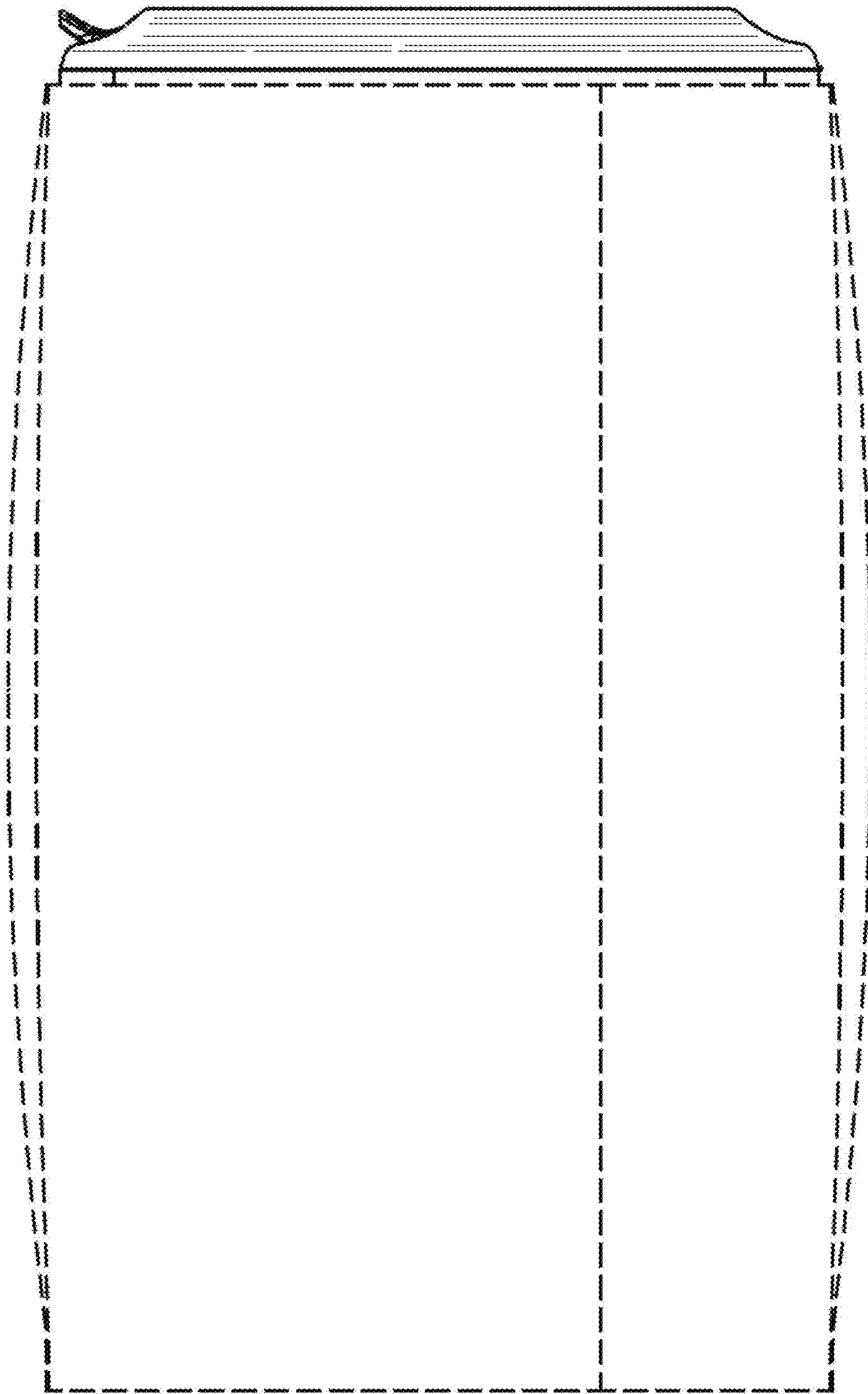


Fig. 15

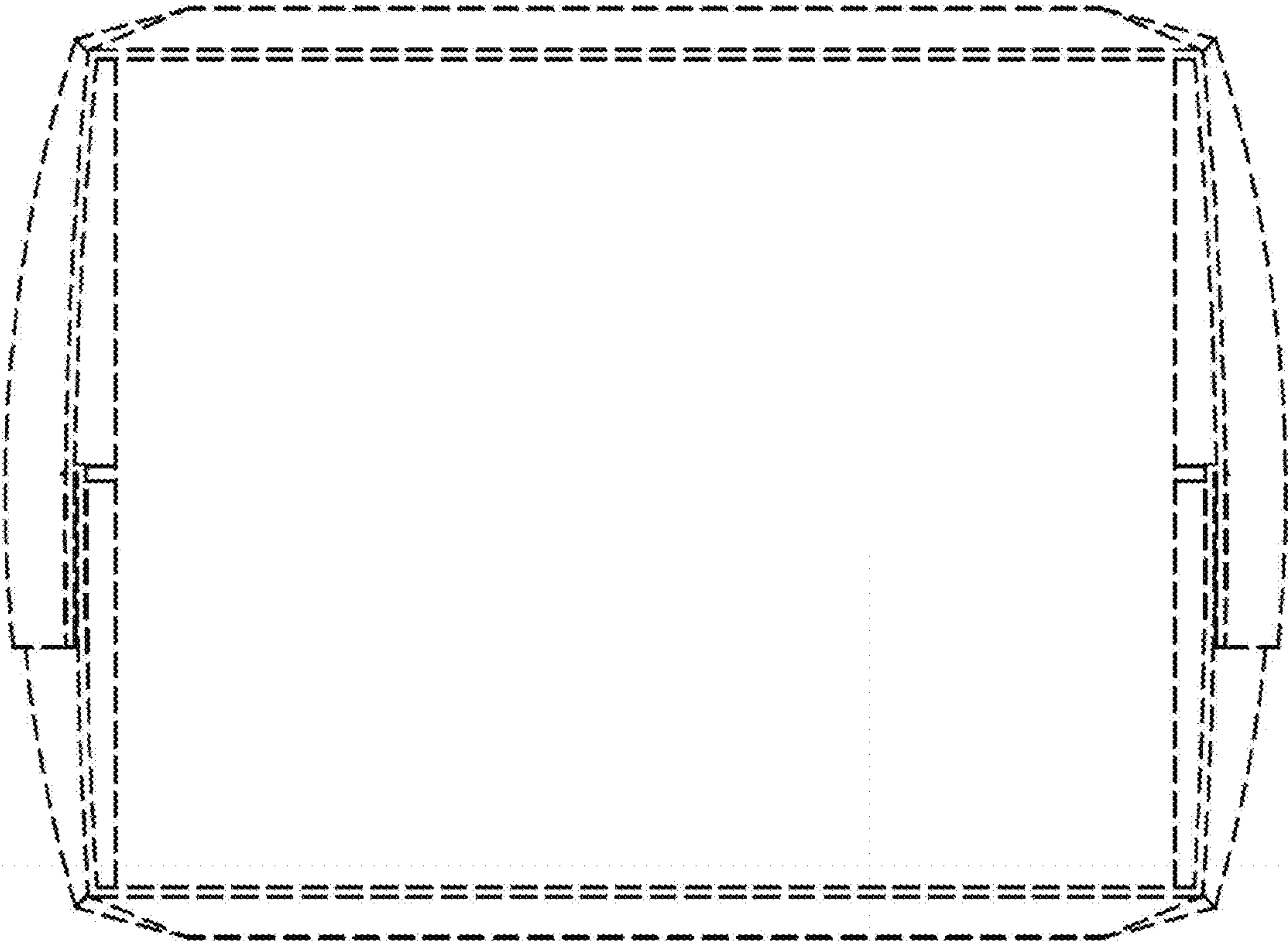


Fig. 16