

US00D756214S

(12) **United States Design Patent**
Ito et al.

(10) **Patent No.:** **US D756,214 S**

(45) **Date of Patent:** **** May 17, 2016**

(54) **PACKAGING BOX**

(71) Applicant: **Nikon Corporation**, Tokyo (JP)

(72) Inventors: **Hideki Ito**, Yokohama (JP); **Yuri Manabe**, Tokyo (JP); **Chiori Saito**, Tokyo (JP); **Suzuka Fujita**, Yokohama (JP); **Toshimitsu Nojima**, Tokyo (JP); **Seina Takahashi**, Tokyo (JP); **Maki Shimizu**, Yokohama (JP); **Yuki Nomura**, Tokyo (JP); **Keiji Gohara**, Yokohama (JP)

(73) Assignee: **Nikon Corporation**, Tokyo (JP)

(**) Term: **14 Years**

(21) Appl. No.: **29/511,450**

(22) Filed: **Dec. 10, 2014**

(51) **LOC (10) Cl.** **09-03**

(52) **U.S. Cl.**
USPC **D9/414**

(58) **Field of Classification Search**
USPC D9/418, 426, 430, 432-436, 444, 456;
206/454, 526; 229/145, 185
CPC B65D 2571/00185; B65D 2571/0066
See application file for complete search history.

(56) **References Cited**

U.S. PATENT DOCUMENTS

D71,513 S *	11/1926	Austin	D9/418
3,204,853 A *	9/1965	Hoyne	G03B 21/64
				206/454
D257,718 S *	12/1980	Dutcher	D9/432
D282,821 S *	3/1986	Noyes	D9/415

4,860,943 A *	8/1989	Cooper	B65D 71/14
				206/140
D397,935 S *	9/1998	Herbst	D9/433
D678,761 S *	3/2013	Cooper	D9/418
D710,689 S *	8/2014	Palmer	D9/433
D714,139 S *	9/2014	Genender	D9/433

* cited by examiner

Primary Examiner — Robert M Spear
Assistant Examiner — Darcey E Heflin
(74) *Attorney, Agent, or Firm* — Wolf, Greenfield & Sacks, P.C.

(57) **CLAIM**

The ornamental design for a packaging box, as shown and described.

DESCRIPTION

The patent or application file contains at least one drawing executed in color. Copies of this patent or patent application publication with color drawings will be provided by the United States Patent and Trademark Office upon request and payment of the necessary fee.

FIG. 1 is a front view of a packaging box showing our new design;

FIG. 2 is a rear view thereof;

FIG. 3 is a top plan view thereof;

FIG. 4 is a bottom plan view thereof;

FIG. 5 is a right side view thereof; and,

FIG. 6 is a left side view thereof.

The features shown in evenly-spaced broken lines in the drawings depict environmental subject matter only and form no part of the claimed design. The dash-dotted lines denote the boundary of the claim and form no part of the claimed design.

1 Claim, 6 Drawing Sheets
(3 of 6 Drawing Sheet(s) Filed in Color)

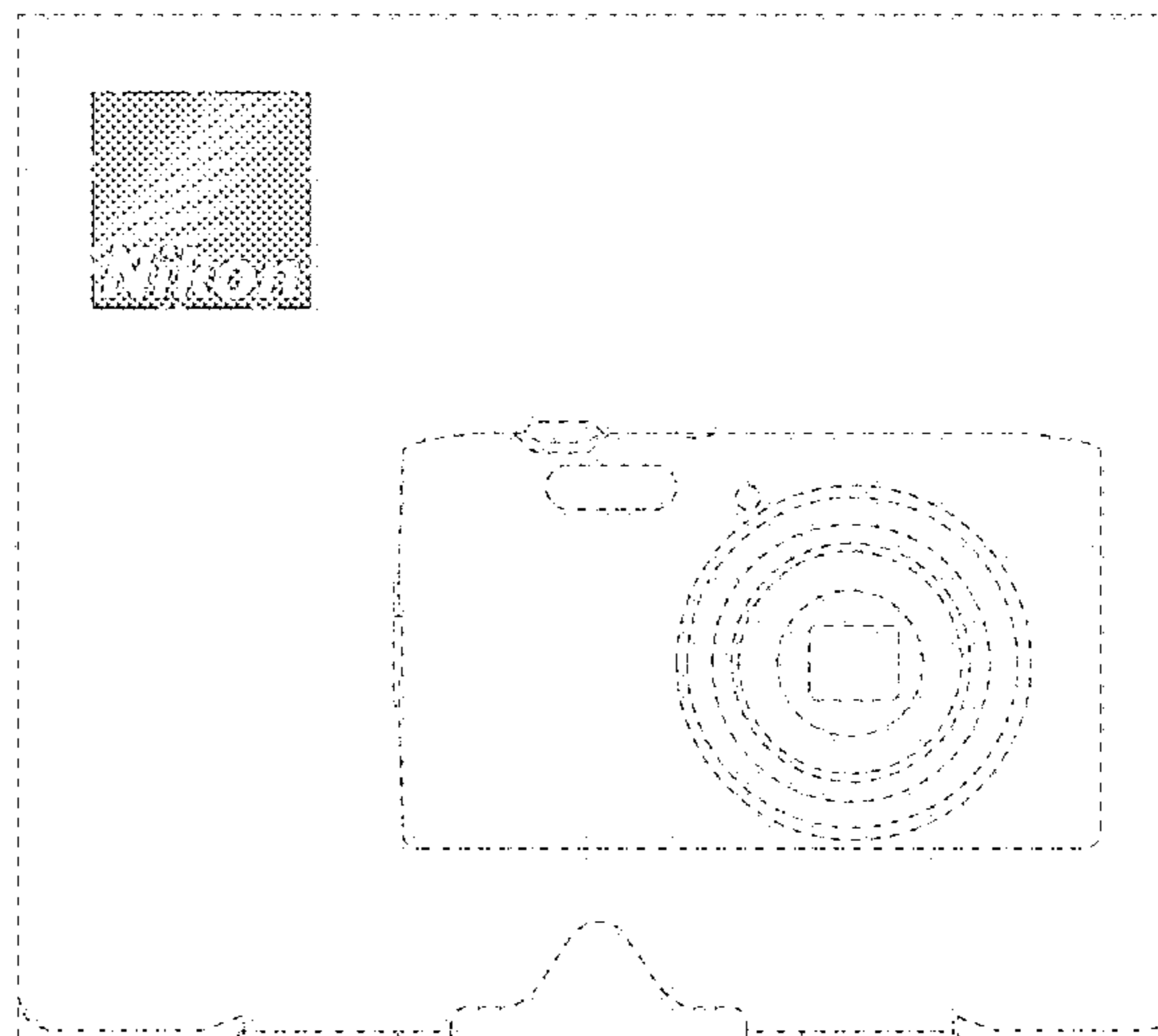
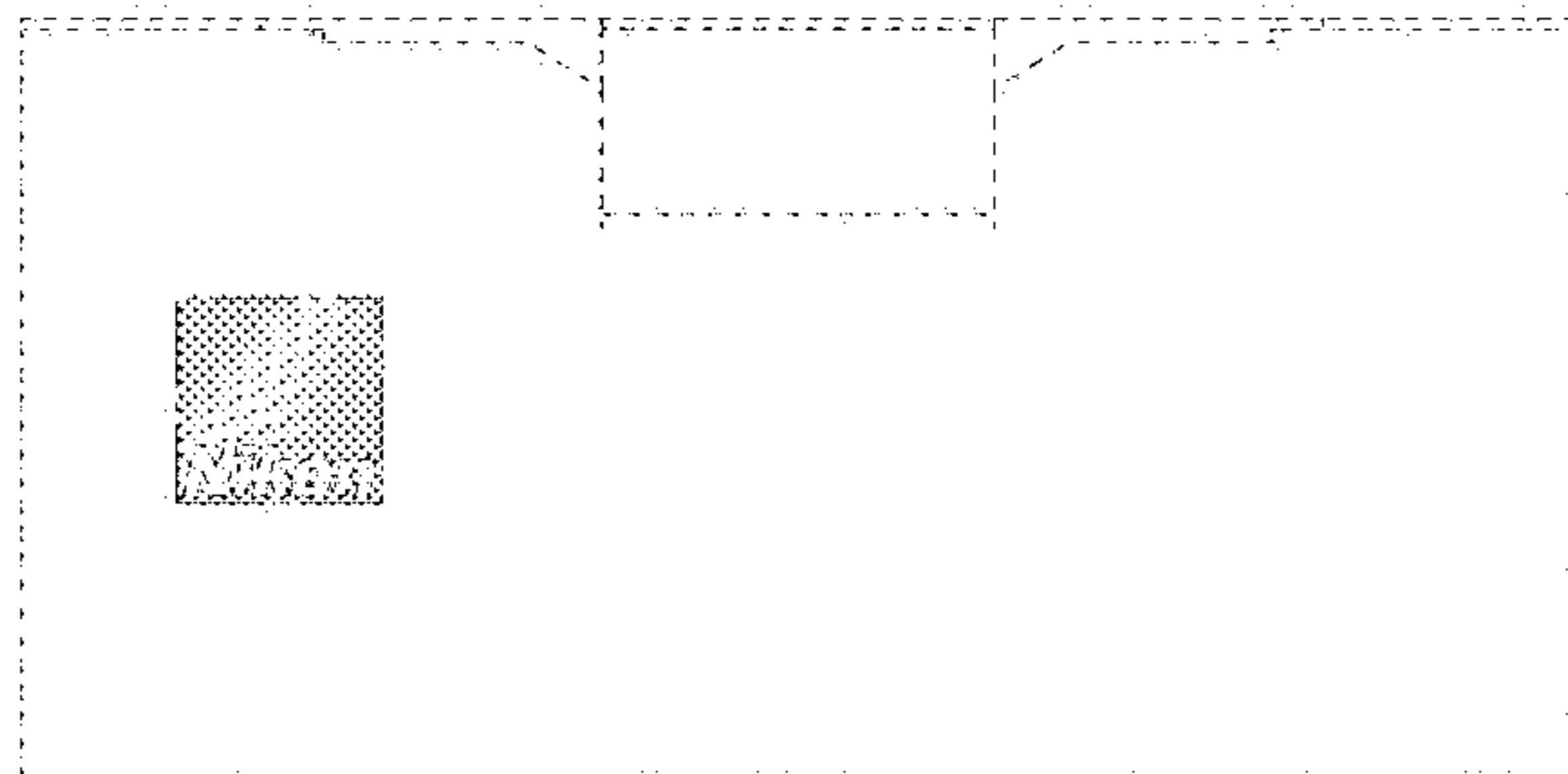


FIG. 1

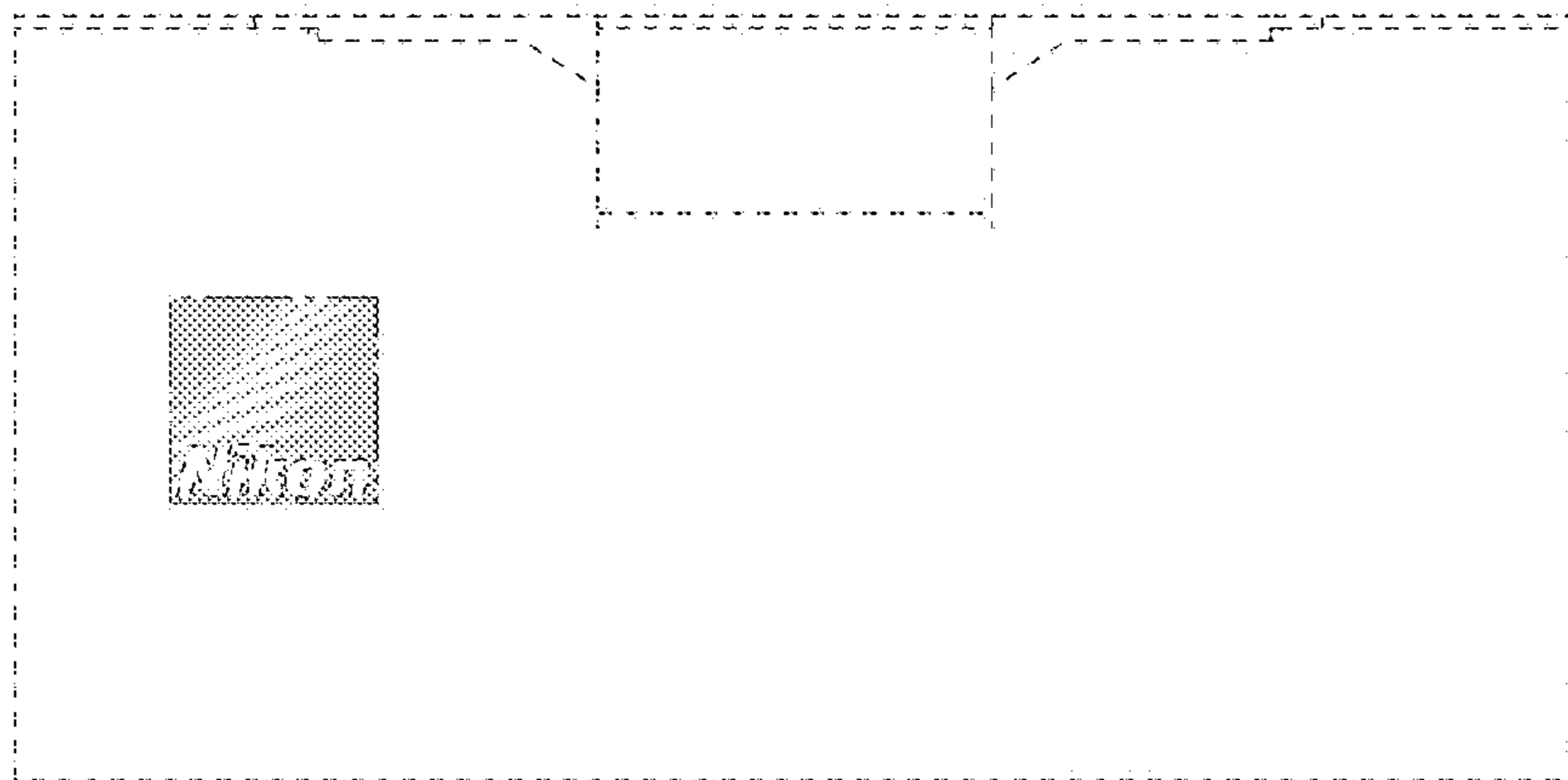


FIG. 2



FIG. 3

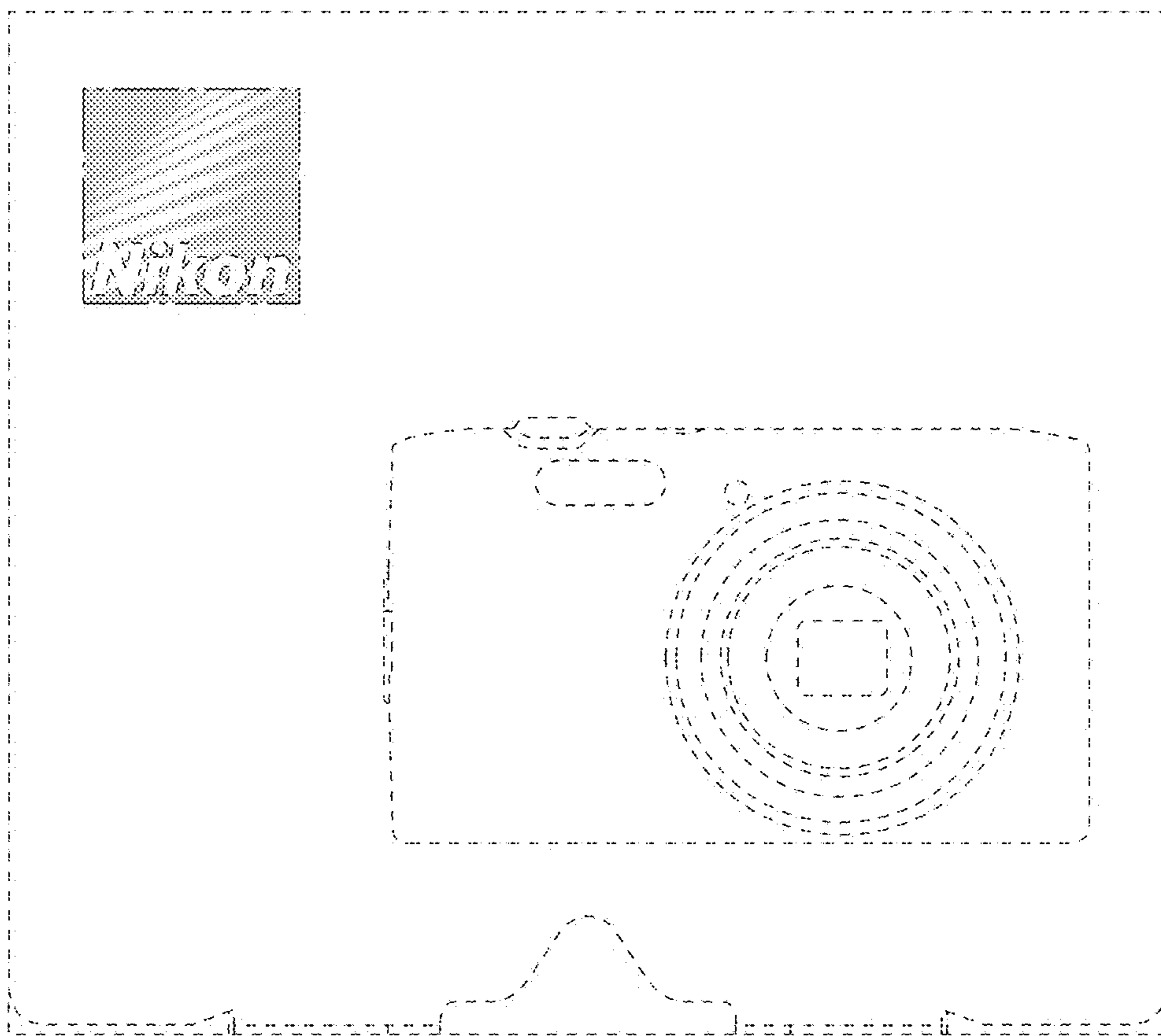


FIG. 4



FIG. 5



FIG. 6

