



US00D756211S

(12) **United States Design Patent**
Downs

(10) **Patent No.:** **US D756,211 S**

(45) **Date of Patent:** **** May 17, 2016**

(54) **GLASS MOUNT**

(71) Applicant: **HDI Railing Systems**, Columbia, PA (US)

(72) Inventor: **Kevin Downs**, Lancaster, PA (US)

(73) Assignee: **HDI Railing Systems**, Columbia, PA (US)

(**) Term: **14 Years**

(21) Appl. No.: **29/515,969**

(22) Filed: **Jan. 28, 2015**

(51) **LOC (10) Cl.** **08-08**

(52) **U.S. Cl.**
USPC **D8/395**

(58) **Field of Classification Search**
USPC D8/349, 354-355, 373, 380, 382-383, D8/394-396; D13/102, 118, 149, 154, D13/155, 184, 199
CPC .. F16B 2/10; Y10T 24/1394; Y10T 24/44769
See application file for complete search history.

(56) **References Cited**

U.S. PATENT DOCUMENTS

1,516,721	A *	11/1924	Emery	B21K 1/707 16/DIG. 37
D178,133	S *	6/1956	Lurie	D6/300
D178,439	S *	7/1956	Waller	D6/300
3,439,233	A *	4/1969	Braiman	H01G 2/04 174/138 G
D226,801	S *	5/1973	Rumble	D8/394
D231,599	S *	5/1974	Rumble	D8/394
D235,417	S *	6/1975	Rodgers	D13/121
D235,731	S *	7/1975	Hubuda, Sr.	D8/394
D241,614	S *	9/1976	Wallace	D8/354
D251,124	S *	2/1979	Takeuchi	D19/65
4,185,125	A *	1/1980	Sakakibara	A23L 1/1613 426/439
D265,048	S *	6/1982	Guardia	D8/328
D273,459	S *	4/1984	Akabane	D8/354
D342,662	S *	12/1993	Lavin, Sr.	D8/354
D476,555	S *	7/2003	Niwa	D6/328

D480,200	S *	9/2003	Sprague	D99/29
D504,609	S *	5/2005	Ferguson	D8/354
D515,406	S *	2/2006	Groff	D8/380
D550,075	S *	9/2007	Tung	D8/396
D575,143	S *	8/2008	Kuo	D8/356
D593,653	S *	6/2009	Mitrani	D23/304
D595,569	S *	7/2009	Darling, III	D8/396
D616,276	S *	5/2010	Friegang	D8/72
D628,460	S *	12/2010	Seitz	D8/354
D658,049	S *	4/2012	Boucher-Gagne	D8/394
D658,977	S *	5/2012	Riddell	D8/394
D670,159	S *	11/2012	Bitarchas	D8/394
D697,786	S *	1/2014	McMahon	D6/310
D702,875	S *	4/2014	Klus	D25/122
D707,545	S *	6/2014	Schopf	D8/394
D740,113	S *	10/2015	Olenick	D8/399
2010/0225040	A1 *	9/2010	Allen	E04F 11/1851 269/297
2013/0091787	A1 *	4/2013	Puga	F16B 5/0275 52/173.3

* cited by examiner

Primary Examiner — Rosemary K Tarcza
Assistant Examiner — Nathaniel D Buckner
(74) *Attorney, Agent, or Firm* — Barley Snyder

(57) **CLAIM**

The ornamental design for a glass mount, as shown and described.

DESCRIPTION

FIG. 1 is a front, top and right side perspective view of a glass mount, showing the new design; FIG. 2 is a front elevation view thereof; FIG. 3 is a left side elevation view thereof; FIG. 4 is a rear elevation view thereof; FIG. 5 is a right side elevation view thereof; FIG. 6 is a top plan view thereof; FIG. 7 is a bottom plan view thereof; and, FIG. 8 is another front, top and right side perspective view of the glass mount in FIG. 1. The broken lines shown in the Figures are included to show unclaimed subject matter only and form no part of the claimed design.

1 Claim, 2 Drawing Sheets

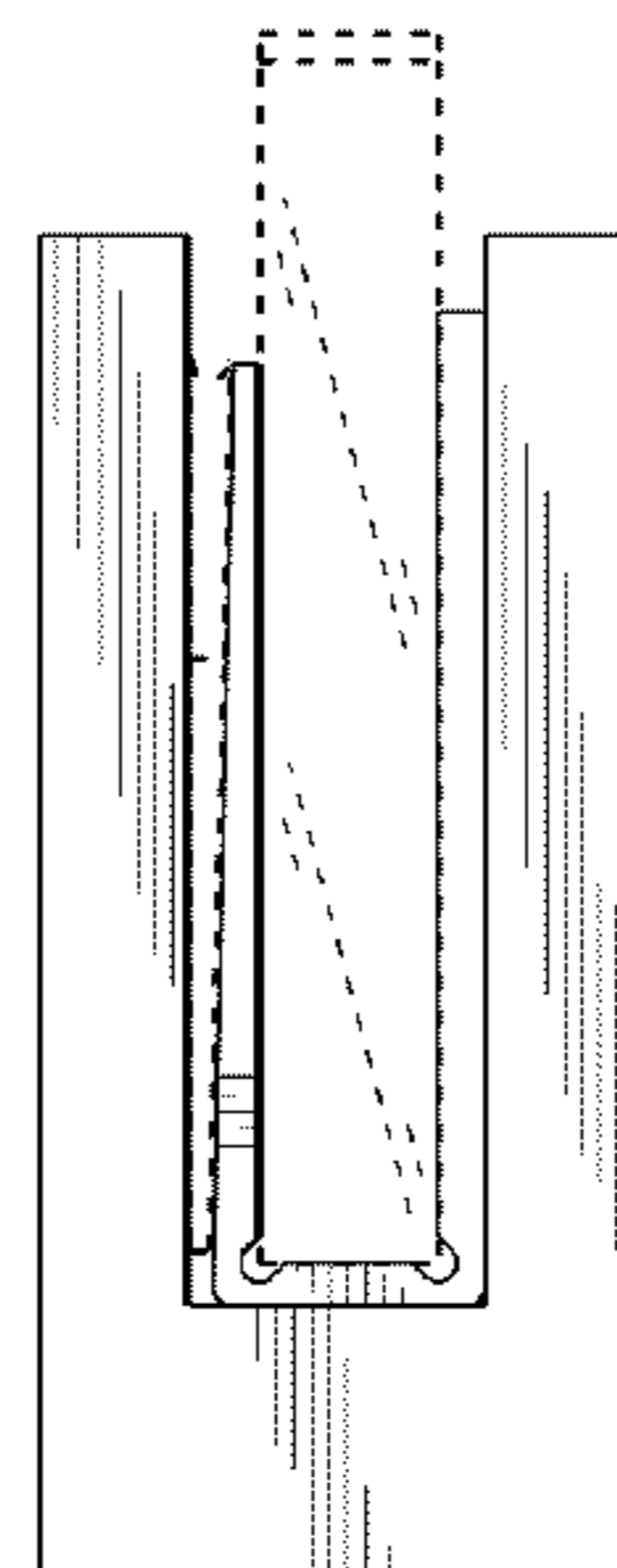
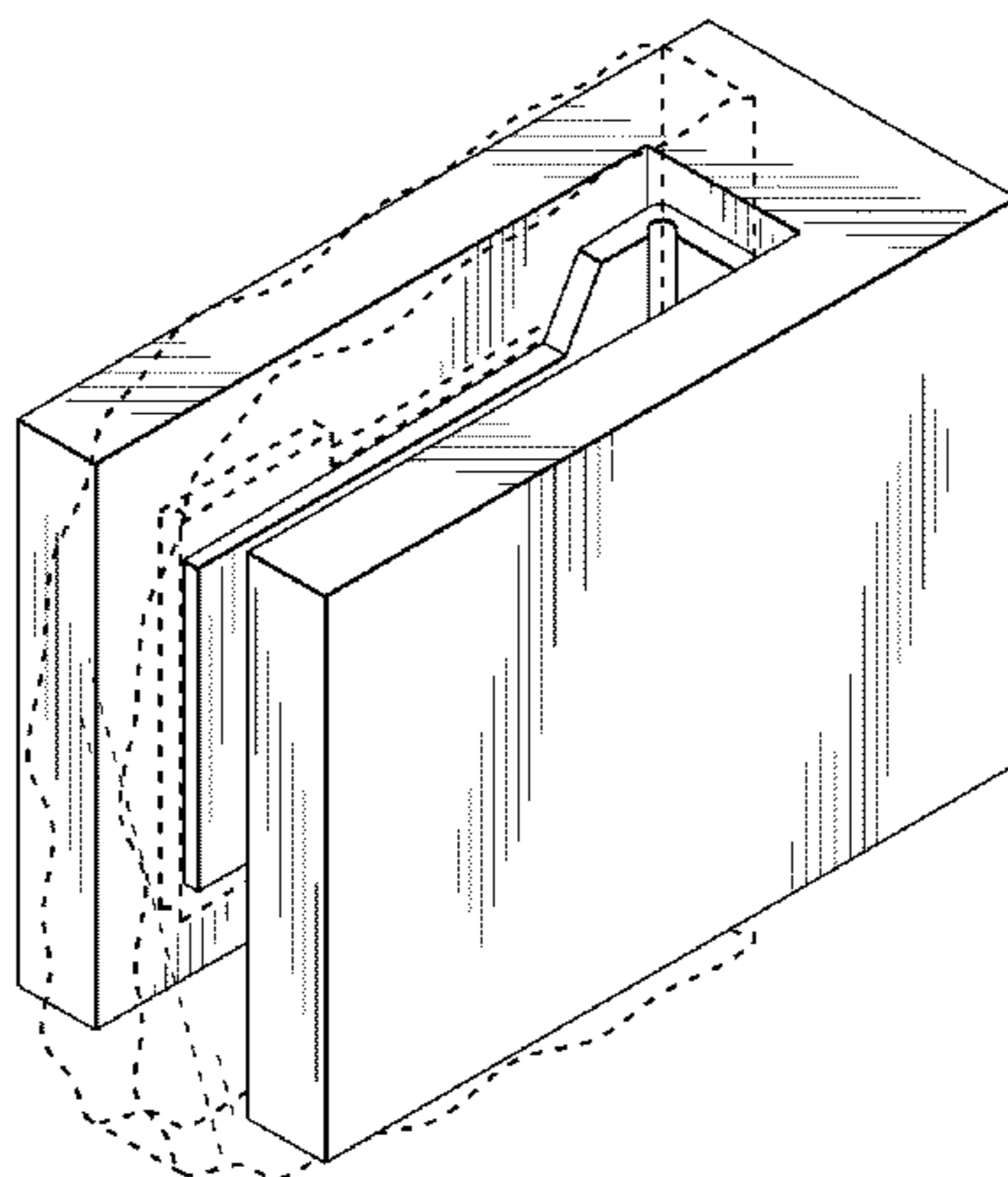


FIG. 1

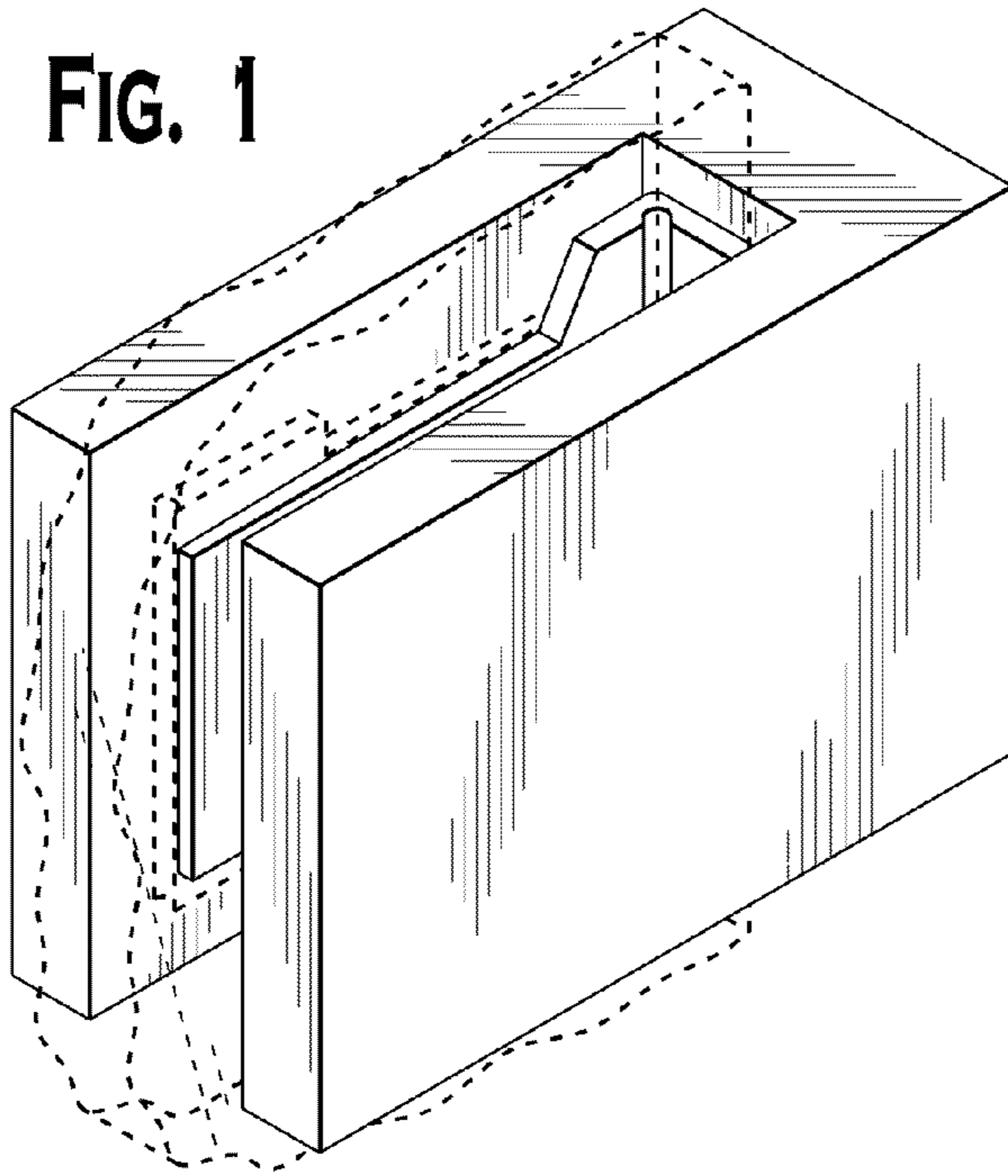


FIG. 2

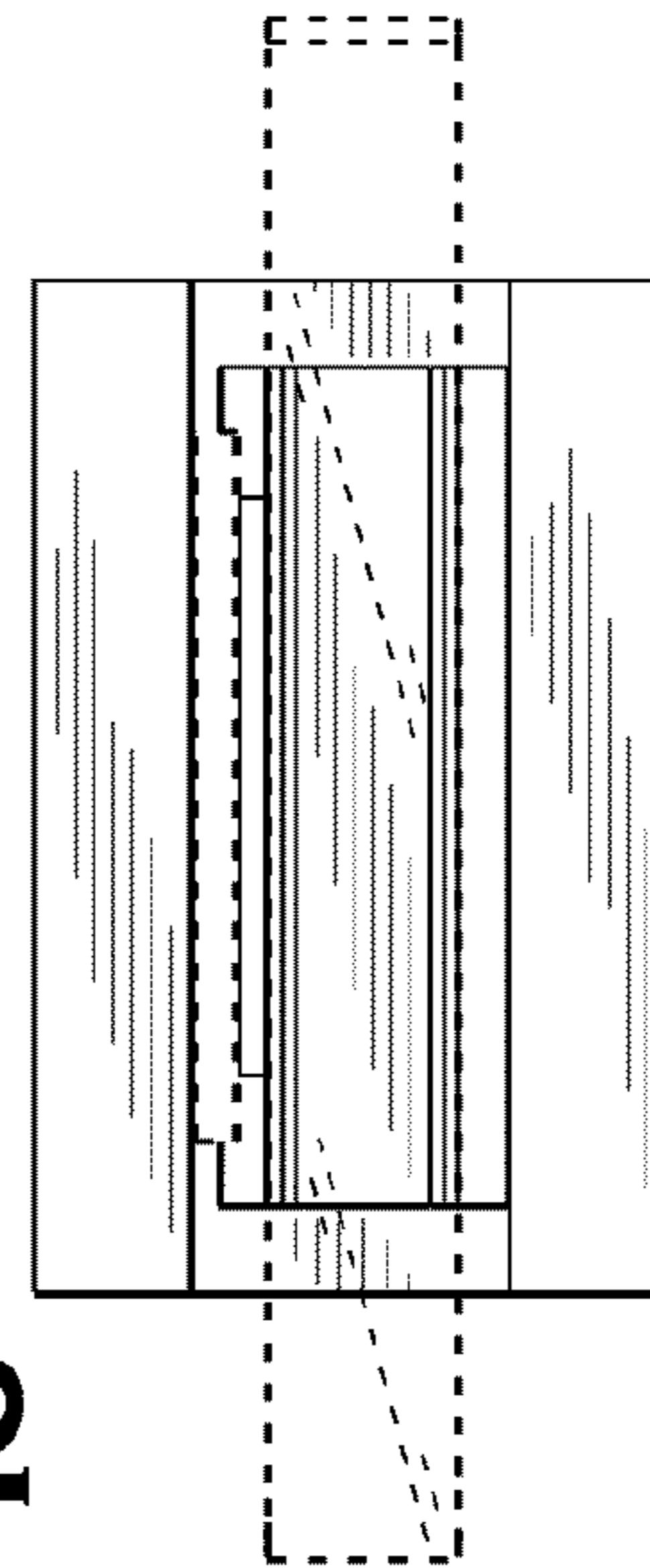


FIG. 3

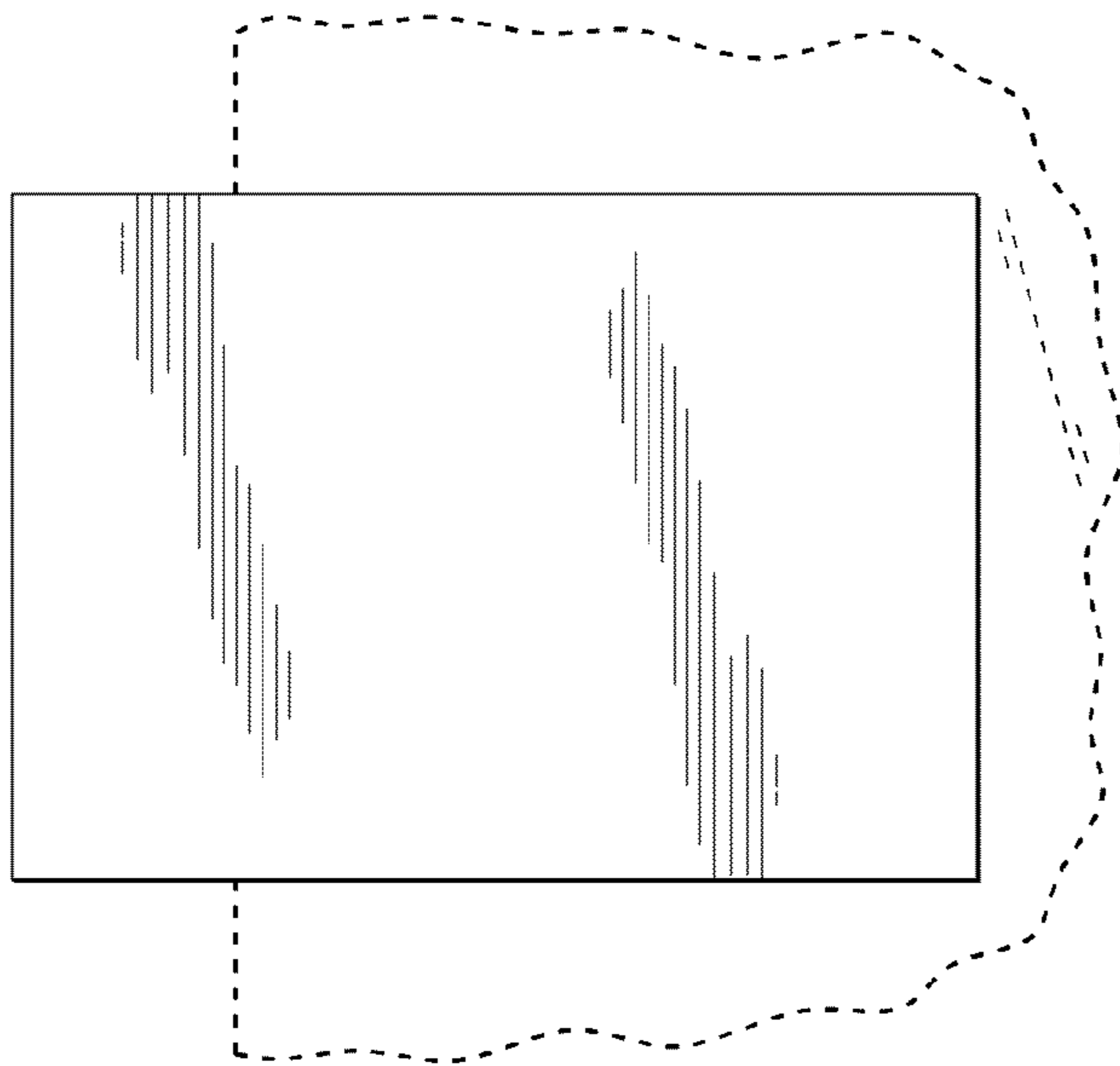
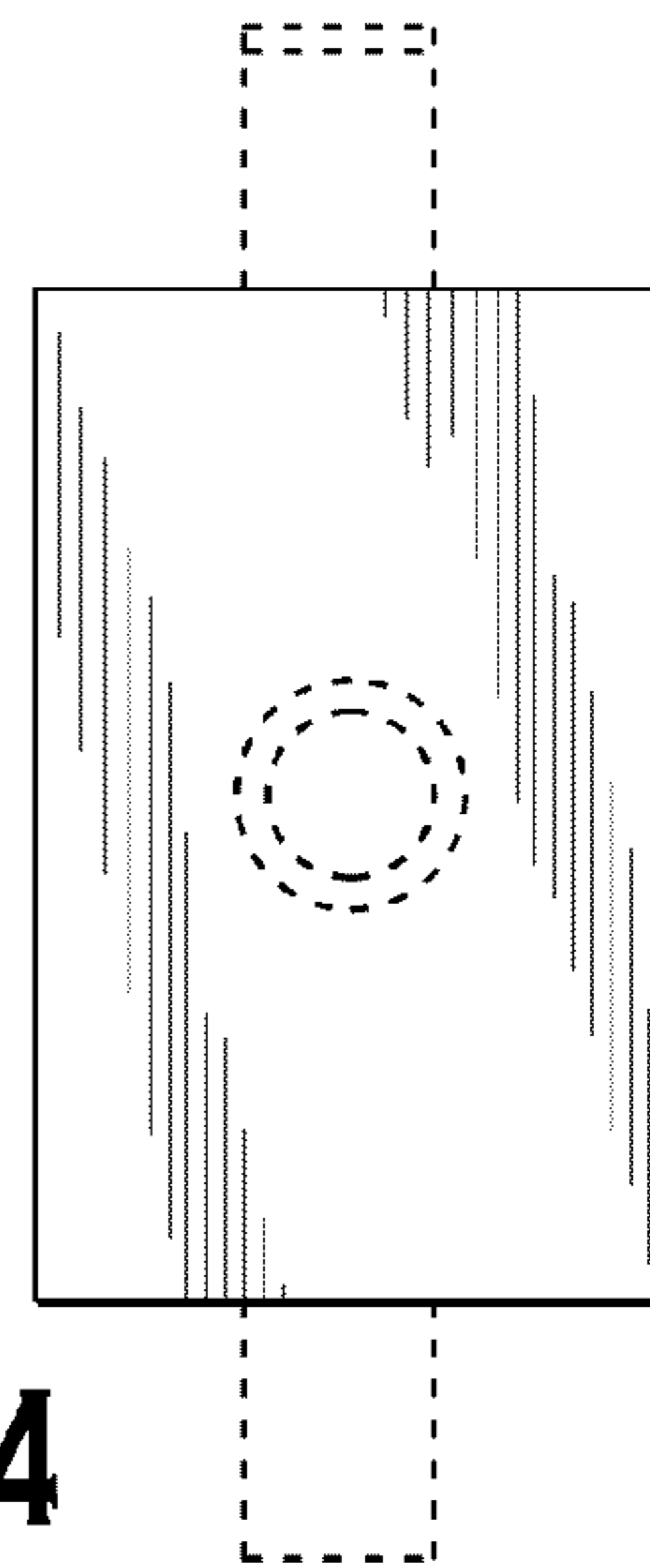


FIG. 4



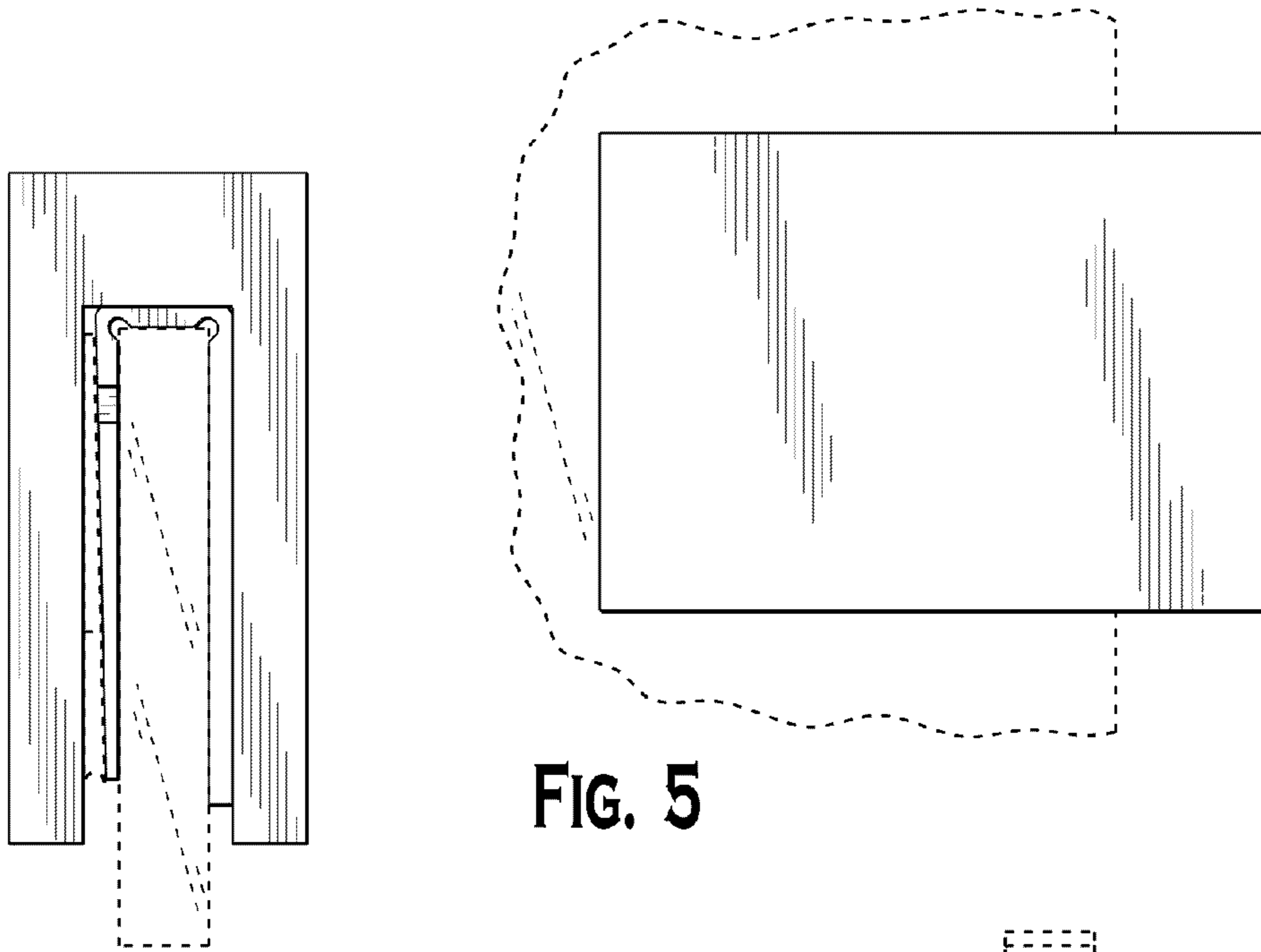


FIG. 5

FIG. 6

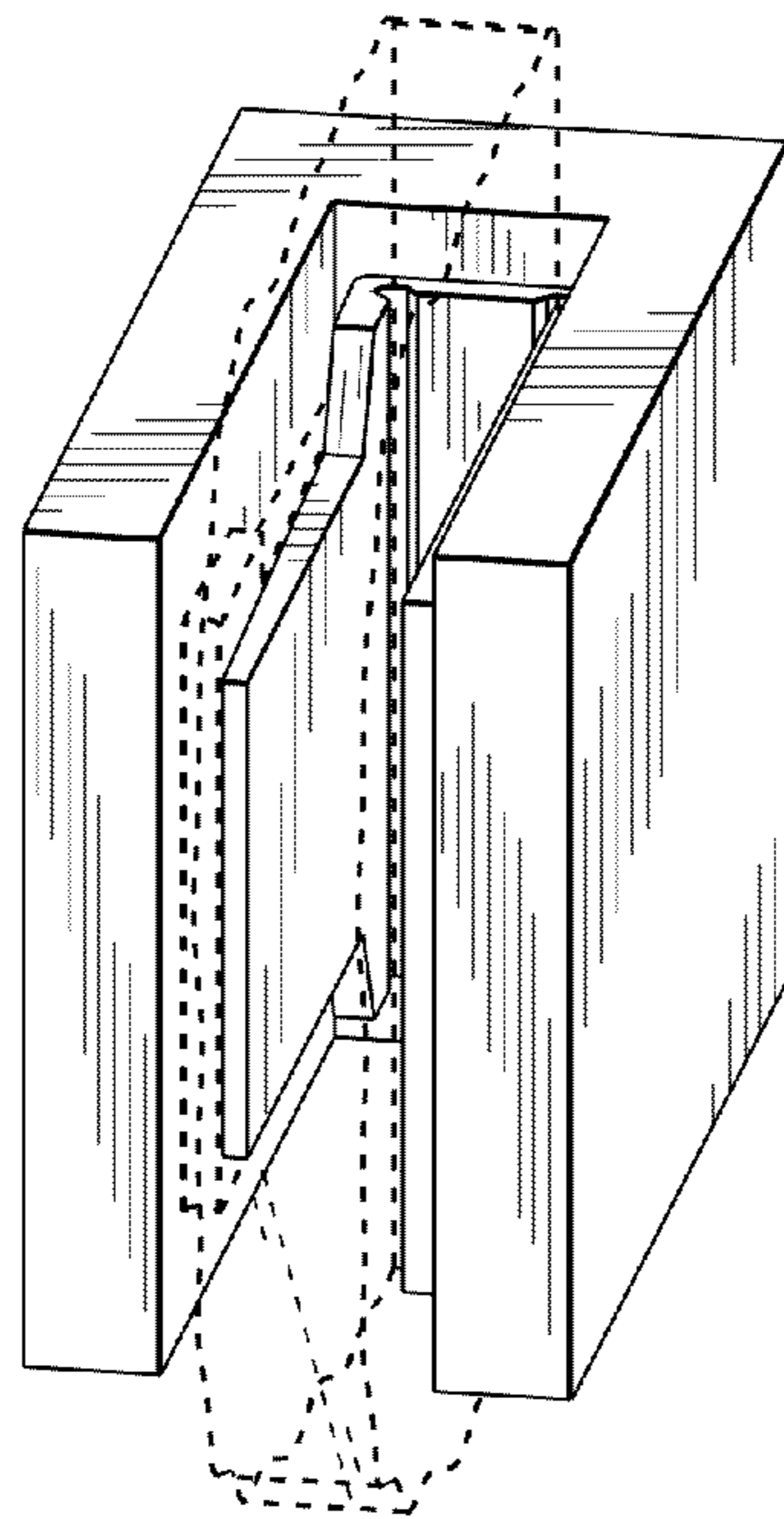


FIG. 8

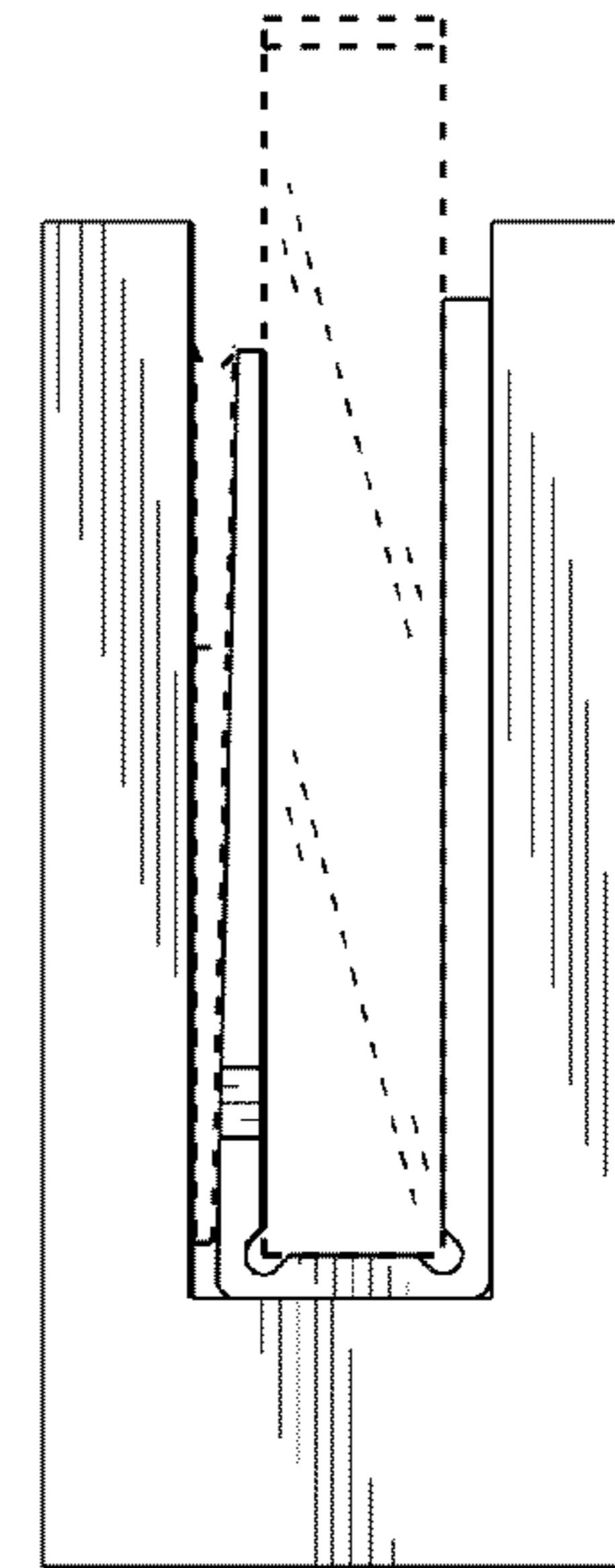


FIG. 7