



US00D756210S

(12) **United States Design Patent**  
**Downs**

(10) **Patent No.:** **US D756,210 S**  
(45) **Date of Patent:** **\*\* May 17, 2016**

(54) **GLASS MOUNT**

(71) Applicant: **HDI Railing Systems**, Columbia, PA  
(US)

(72) Inventor: **Kevin Downs**, Lancaster, PA (US)

(73) Assignee: **HDI Railing Systems**, Columbia, PA  
(US)

(\*\*) Term: **14 Years**

(21) Appl. No.: **29/515,965**

(22) Filed: **Jan. 28, 2015**

(51) **LOC (10) Cl.** ..... **08-08**

(52) **U.S. Cl.**  
USPC ..... **D8/395**

(58) **Field of Classification Search**  
USPC ..... D8/349, 354–355, 373, 380, 382–383,  
D8/394–396; D13/102, 118, 149, 154,  
D13/155, 184, 199

CPC .. F16B 2/10; Y10T 24/1394; Y10T 24/44769  
See application file for complete search history.

(56) **References Cited**

**U.S. PATENT DOCUMENTS**

1,516,721	A *	11/1924	Emery	.....	B21K 1/707 16/DIG. 37
D178,133	S *	6/1956	Lurie	.....	D6/300
D178,439	S *	7/1956	Waller	.....	D6/300
3,439,233	A *	4/1969	Braiman	.....	H01G 2/04 174/138 G
D226,801	S *	5/1973	Rumble	.....	D8/394
D231,599	S *	5/1974	Rumble	.....	D8/394
D235,417	S *	6/1975	Rodgers	.....	D13/121
D235,731	S *	7/1975	Habuda, Sr.	.....	D8/394
D241,614	S *	9/1976	Wallace	.....	D8/354
D251,124	S *	2/1979	Takeuchi	.....	D19/65
4,185,125	A *	1/1980	Sakakibara	.....	A23L 1/1613 426/439
D265,048	S *	6/1982	Guardia	.....	D8/328
D273,459	S *	4/1984	Akabane	.....	D8/354

D342,662	S *	12/1993	Lavin, Sr.	.....	D8/354
D476,555	S *	7/2003	Niwa	.....	D6/328
D480,200	S *	9/2003	Sprague	.....	D99/29
D504,609	S *	5/2005	Ferguson	.....	D8/354
D515,406	S *	2/2006	Groff	.....	D8/380
D550,075	S *	9/2007	Tung	.....	D8/396
D575,143	S *	8/2008	Kuo	.....	D8/356
D593,653	S *	6/2009	Mitrani	.....	D23/304
D595,569	S *	7/2009	Darling, III	.....	D8/396
D616,276	S *	5/2010	Friegang	.....	D8/72
D628,460	S *	12/2010	Seitz	.....	D8/354
D658,049	S *	4/2012	Boucher-Gagne	.....	D8/394
D658,977	S *	5/2012	Riddell	.....	D8/394
D670,159	S *	11/2012	Bitarchas	.....	D8/394
D697,786	S *	1/2014	McMahon	.....	D6/310
D702,875	S *	4/2014	Klus	.....	D25/122
D707,545	S *	6/2014	Schopf	.....	D8/394
D740,113	S *	10/2015	Olenick	.....	D8/399

(Continued)

*Primary Examiner* — Rosemary K Tarcza

*Assistant Examiner* — Nathaniel D Buckner

(74) *Attorney, Agent, or Firm* — Barley Snyder

(57) **CLAIM**

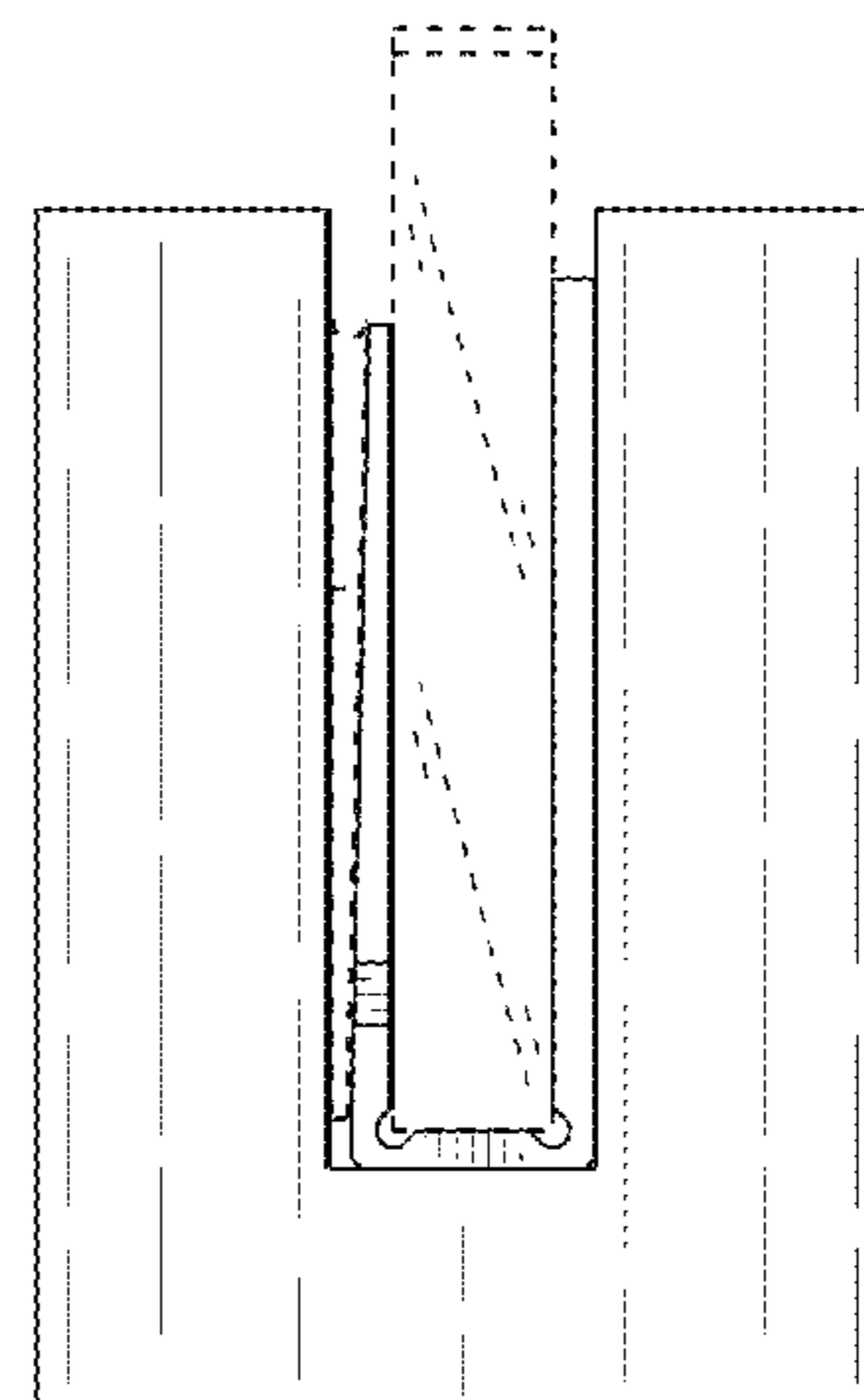
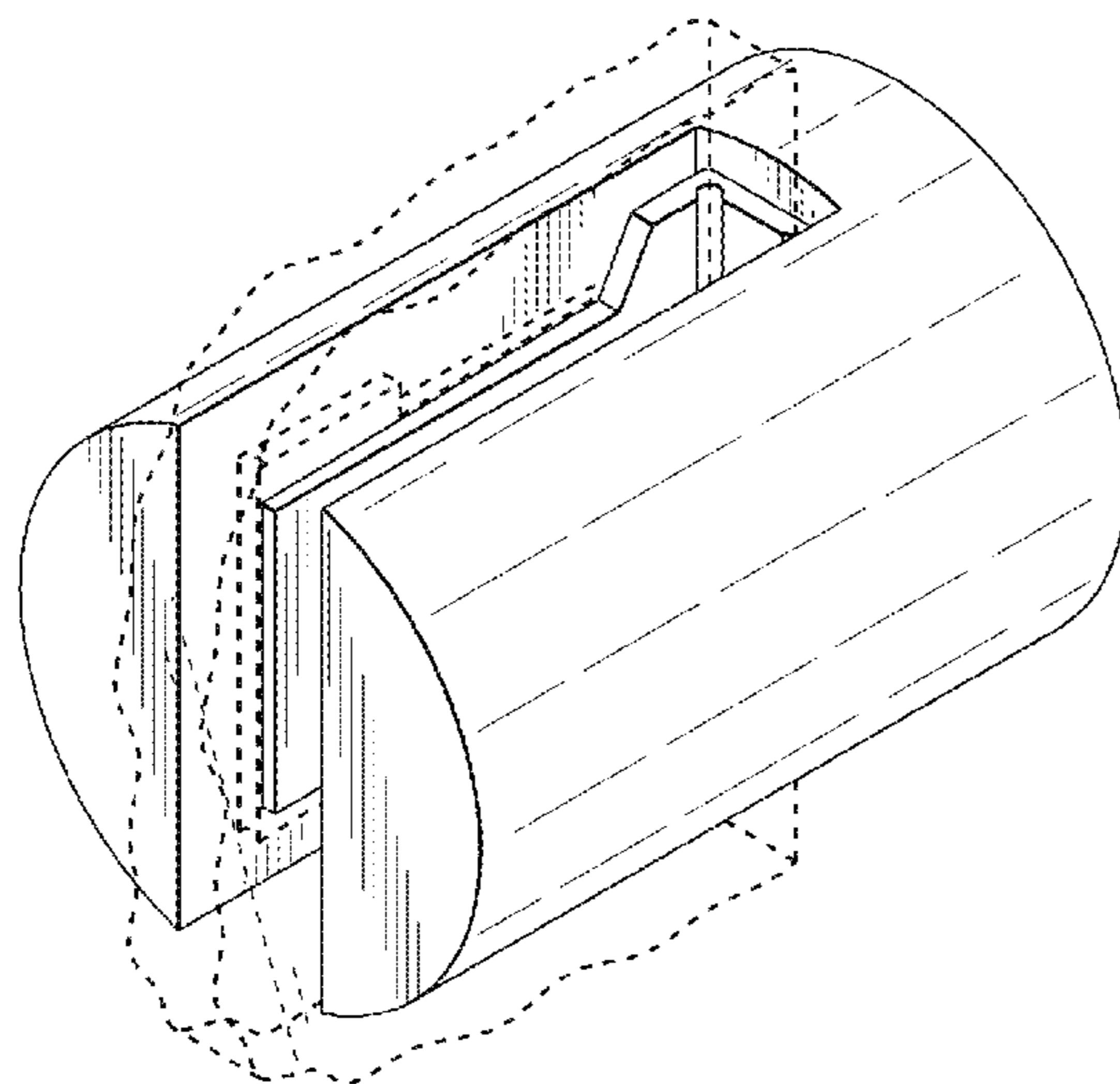
The ornamental design for a glass mount, as shown and described.

**DESCRIPTION**

FIG. 1 is a front, top and right side perspective view of a glass mount, showing the new design;  
FIG. 2 is a front elevation view thereof;  
FIG. 3 is a left side elevation view thereof;  
FIG. 4 is a rear elevation view thereof;  
FIG. 5 is a right side elevation view thereof;  
FIG. 6 is a top plan view thereof;  
FIG. 7 is a bottom plan view thereof; and,  
FIG. 8 is another front, top and right side perspective view of the glass mount in FIG. 1.

The broken lines shown in the Figures are included to show unclaimed subject matter only and form no part of the claimed design.

**1 Claim, 2 Drawing Sheets**



(56)

**References Cited**

2013/0091787 A1\* 4/2013 Puga ..... F16B 5/0275  
52/173.3

U.S. PATENT DOCUMENTS

2010/0225040 A1\* 9/2010 Allen ..... E04F 11/1851  
269/297

\* cited by examiner

FIG. 1

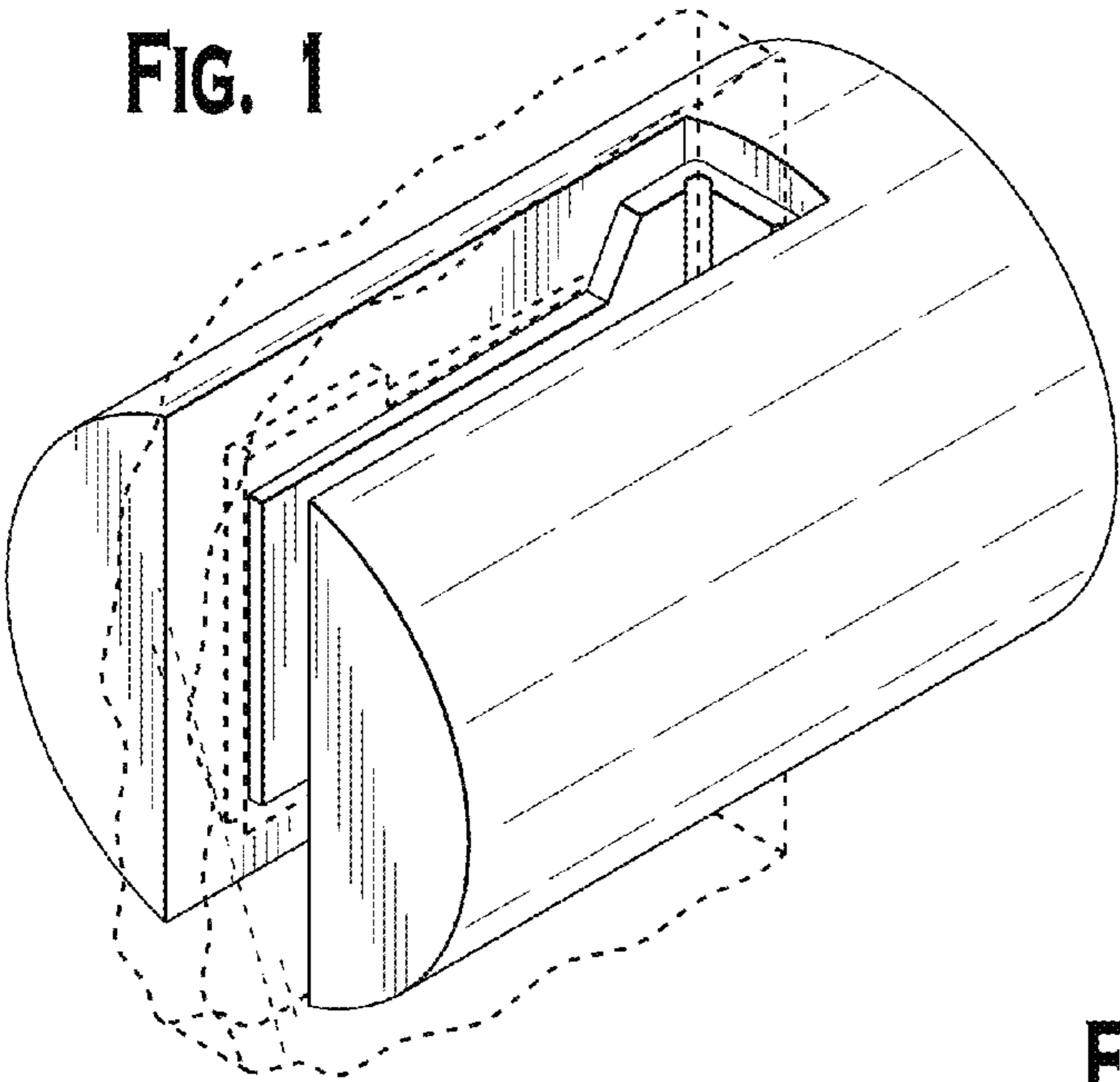


FIG. 2

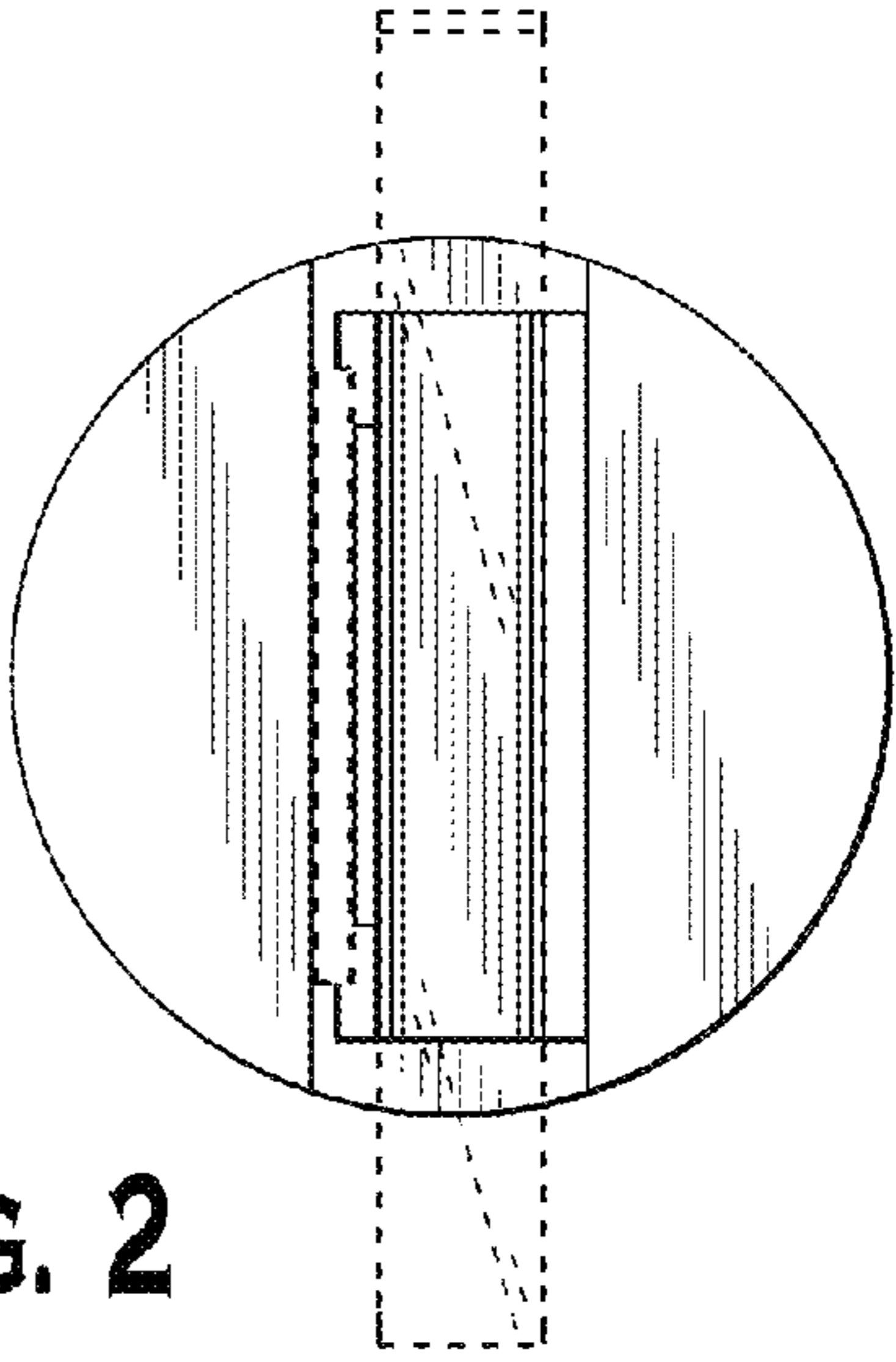


FIG. 3

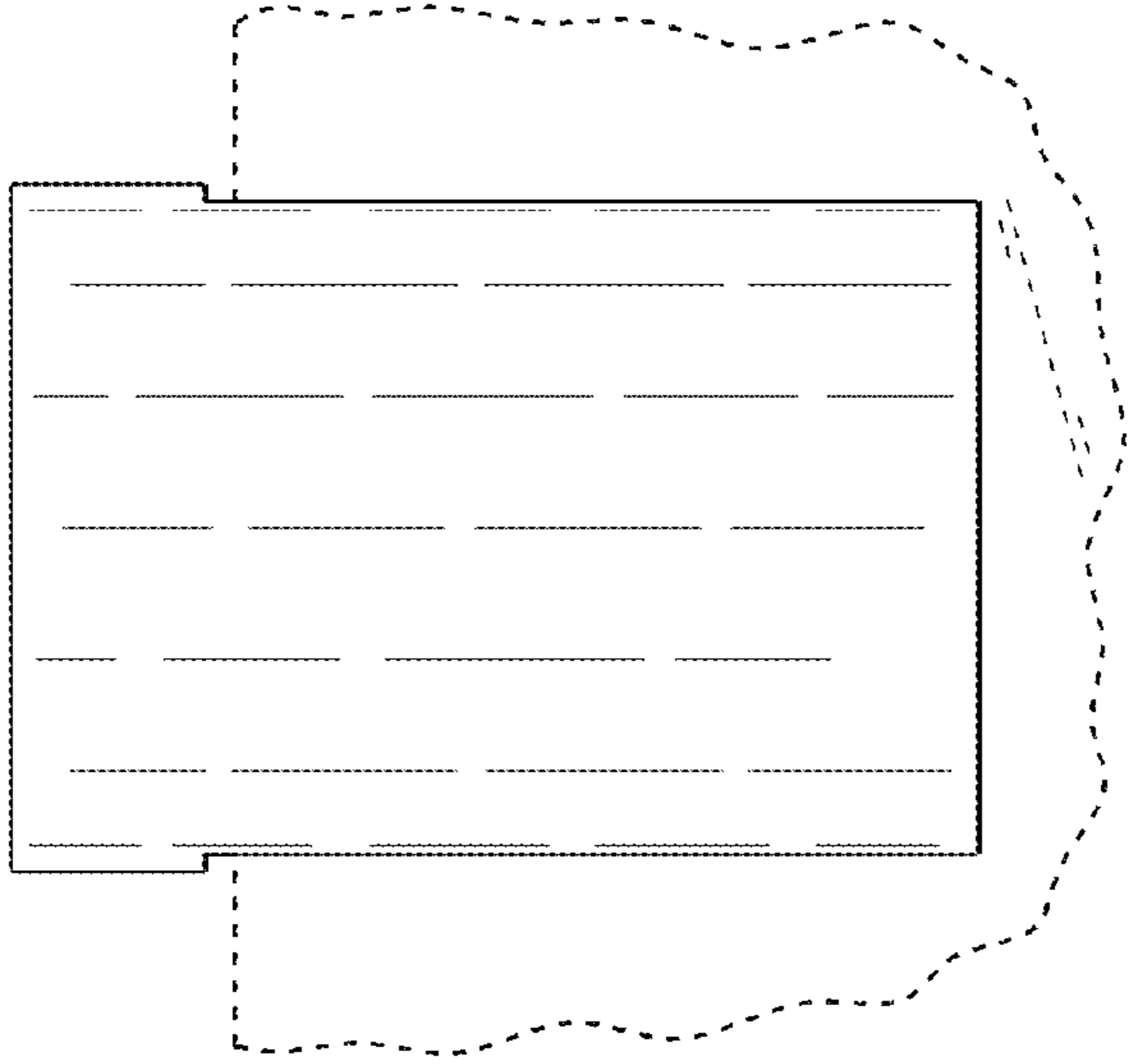
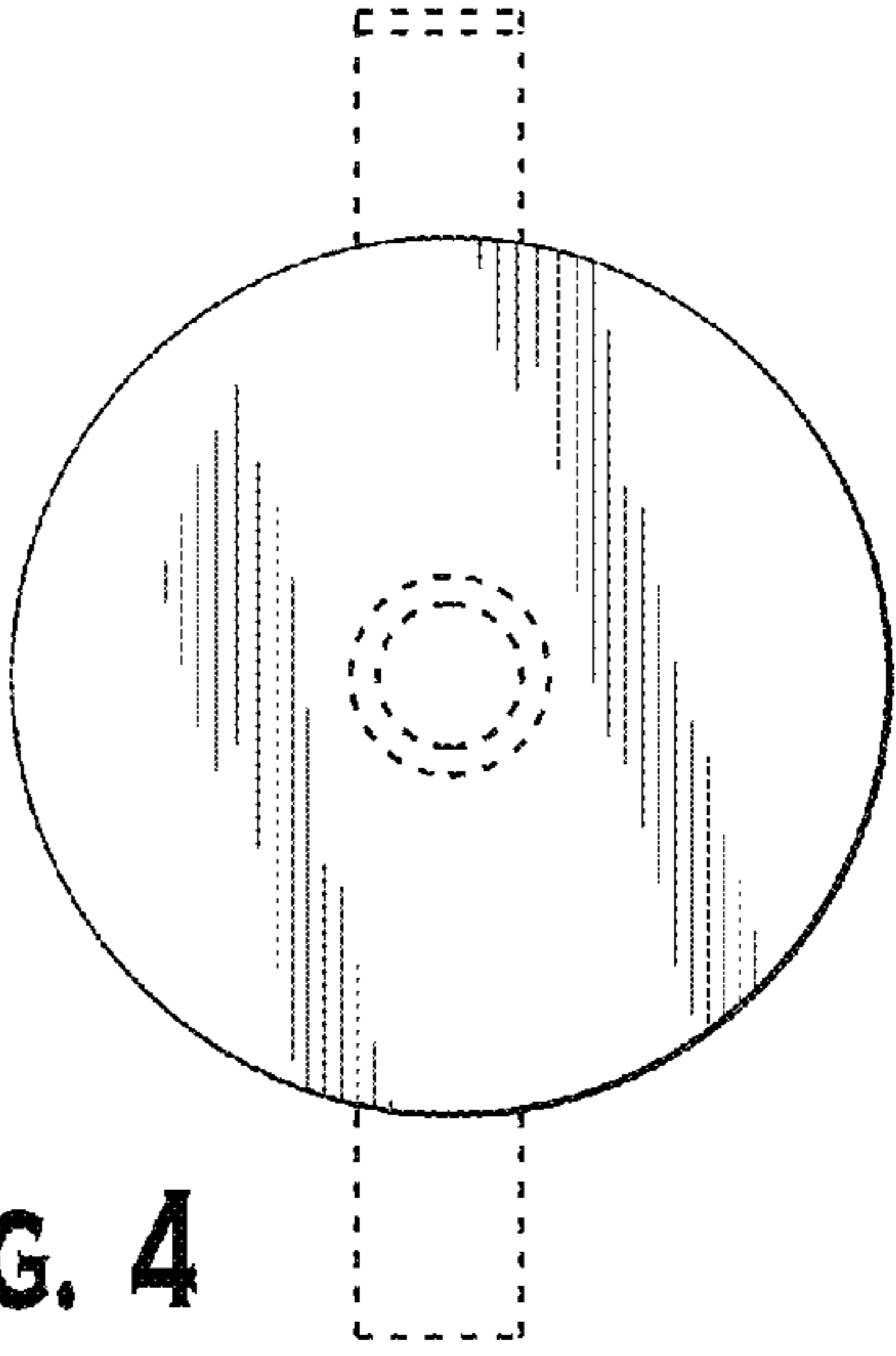


FIG. 4



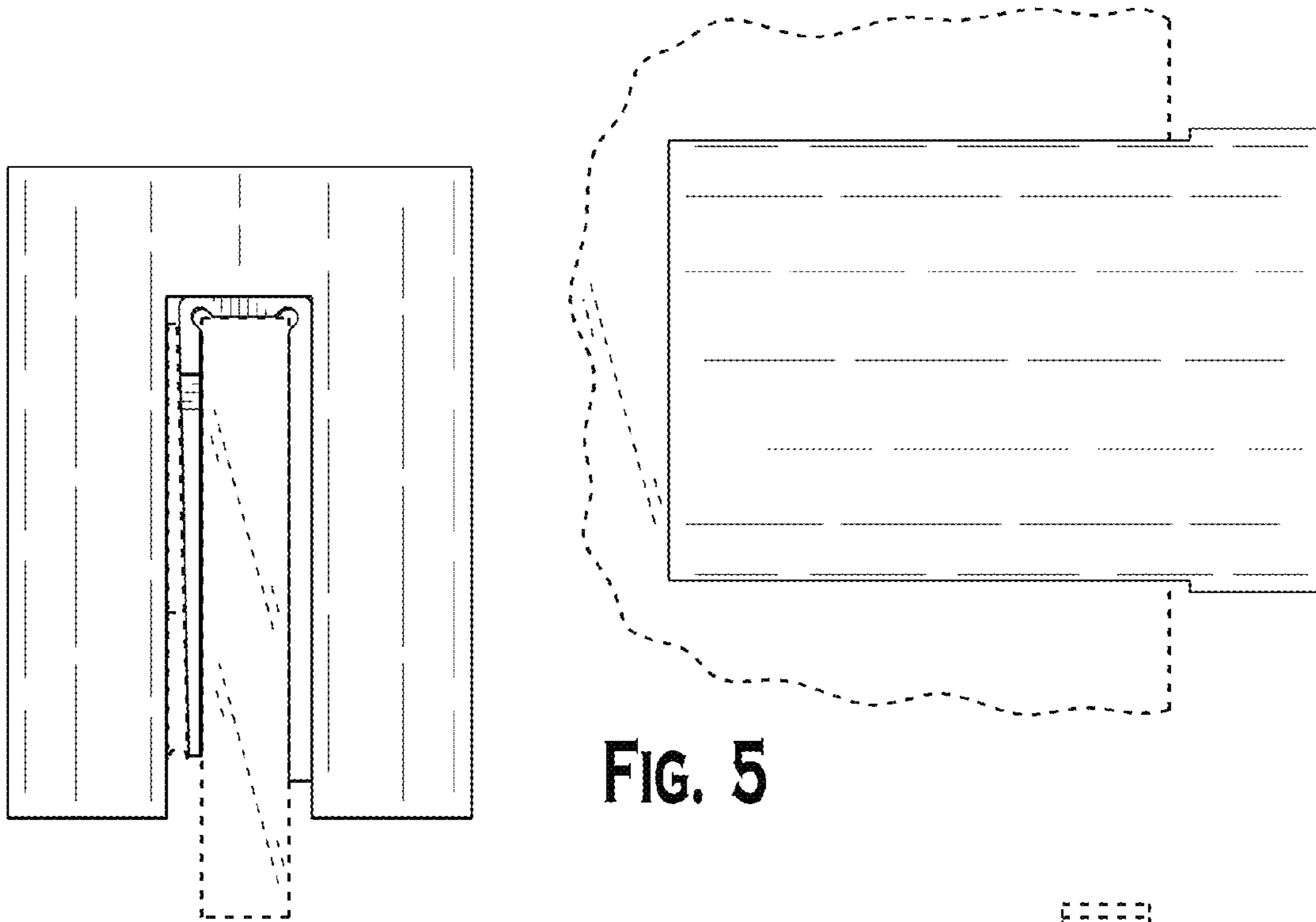


FIG. 5

FIG. 6

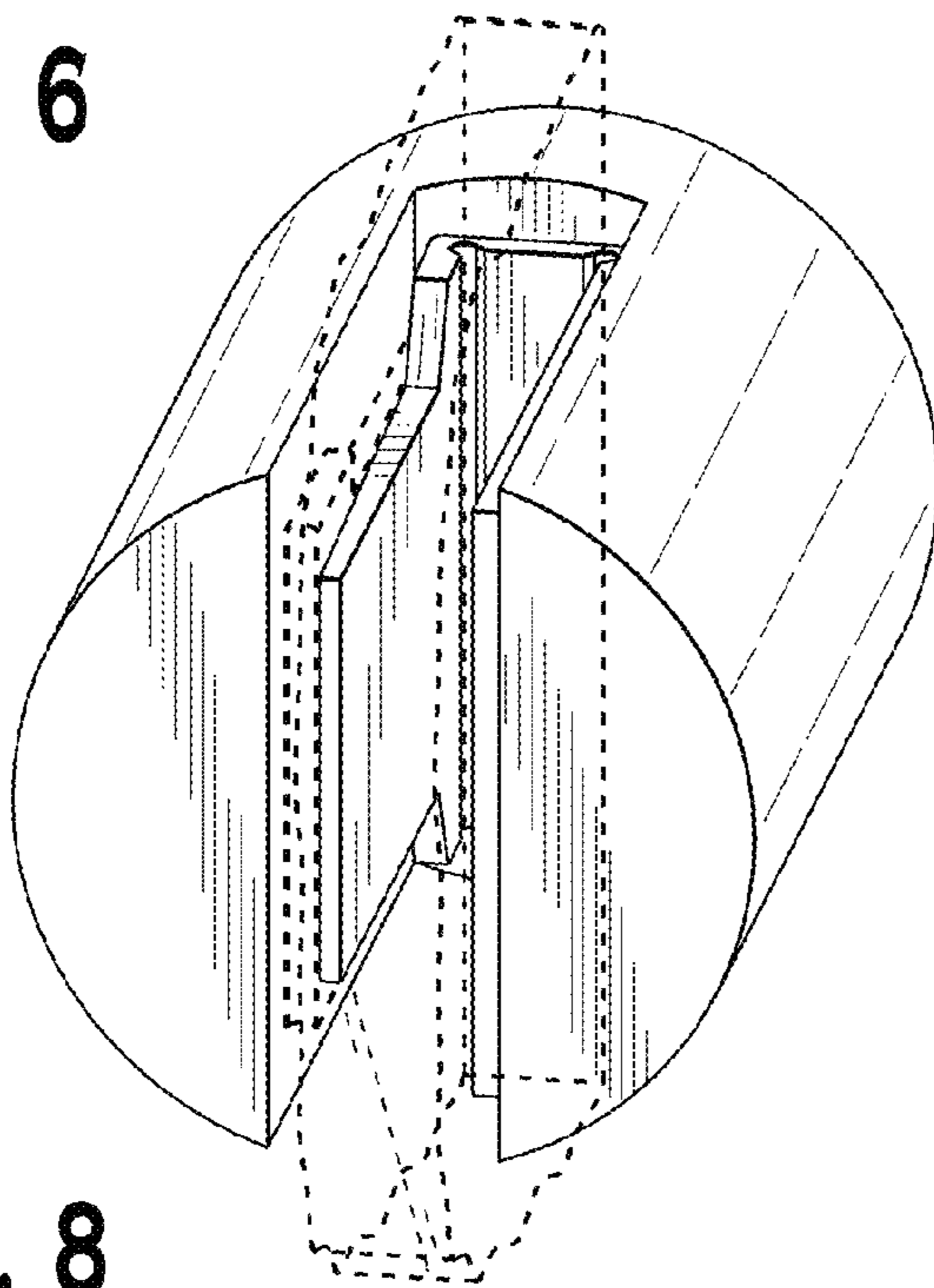


FIG. 8

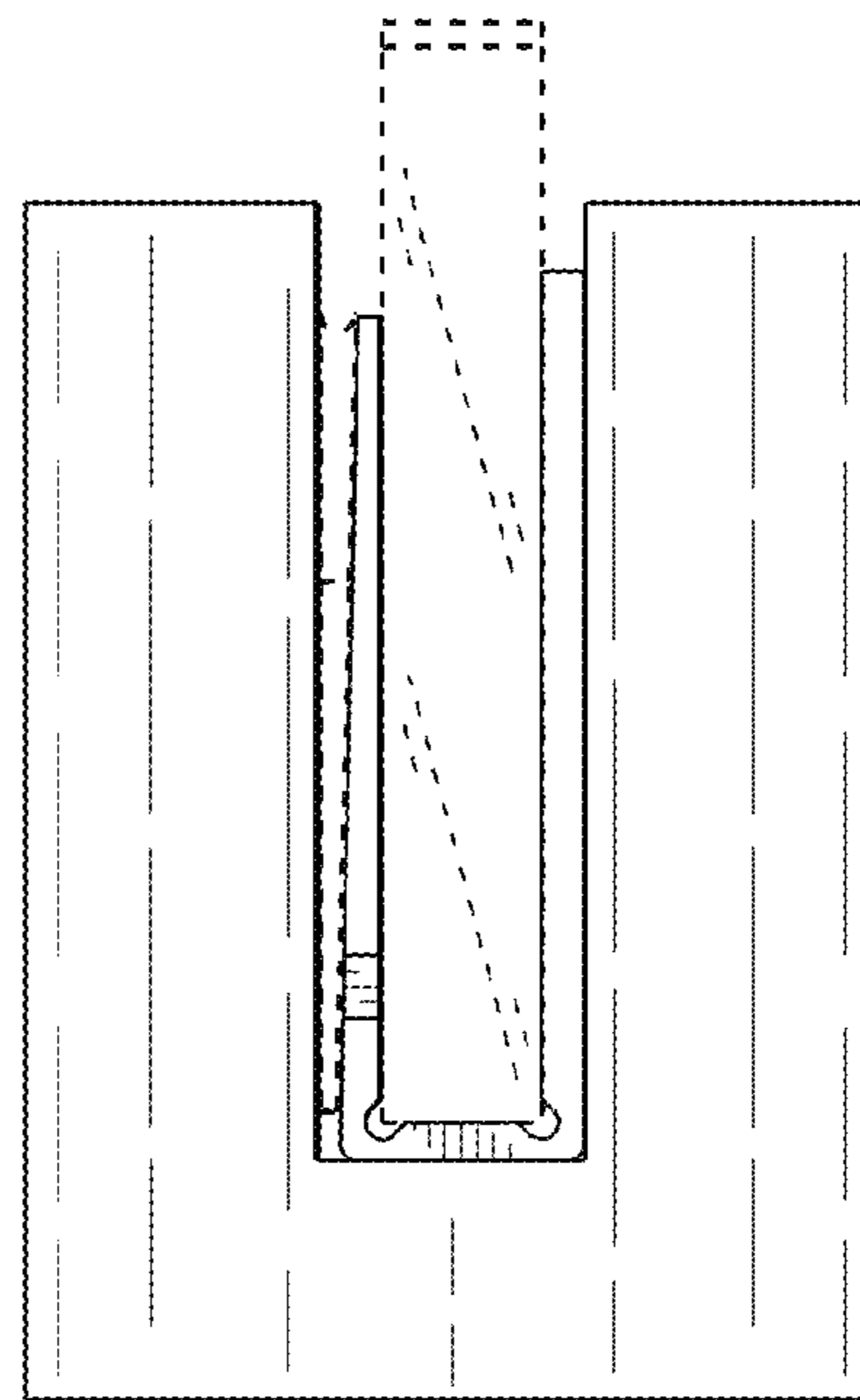


FIG. 7