

US00D756208S

(12) **United States Design Patent**
Downs

(10) **Patent No.:** **US D756,208 S**

(45) **Date of Patent:** **** May 17, 2016**

(54) **GLASS MOUNT SUPPORT**

(71) Applicant: **HDI Railing Systems**, Columbia, PA
(US)

(72) Inventor: **Kevin Downs**, Lancaster, PA (US)

(73) Assignee: **HDI Railing Systems**, Columbia, PA
(US)

(**) Term: **14 Years**

(21) Appl. No.: **29/515,960**

(22) Filed: **Jan. 28, 2015**

(51) **LOC (10) Cl.** **08-08**

(52) **U.S. Cl.**
USPC **D8/395**

(58) **Field of Classification Search**
USPC D8/349, 354-355, 373, 380, 382-383,
D8/394-396; D13/102, 118, 149, 154,
D13/155, 184, 199
CPC .. F16B 2/10; Y10T 24/1394; Y10T 24/44769
See application file for complete search history.

(56) **References Cited**

U.S. PATENT DOCUMENTS

D280,973 S *	10/1985	Ferrell	D8/395
D492,727 S *	7/2004	Nuttall	D19/65
D645,865 S *	9/2011	Diehl	D14/299
D666,321 S *	8/2012	Morton	D25/119
8,256,070 B2 *	9/2012	English	A41F 19/005 24/507

D712,729 S *	9/2014	Cushing	D8/395
D727,716 S *	4/2015	Langle	D8/355
D738,193 S *	9/2015	Master	D8/354
D740,113 S *	10/2015	Olenick	D8/399
2003/0101551 A1 *	6/2003	Levesque	A44B 99/00 24/545

* cited by examiner

Primary Examiner — Rosemary K Tarcza

Assistant Examiner — Nathaniel D Buckner

(74) *Attorney, Agent, or Firm* — Barley Snyder

(57) **CLAIM**

The ornamental design for a glass mount support, as shown and described.

DESCRIPTION

FIG. 1 is a top right perspective view of a glass mount support in an environment of use showing our new design; FIG. 2 is a top right perspective view thereof; FIG. 3 is a front elevation view thereof; FIG. 4 is a left elevation view thereof; FIG. 5 is a rear elevation view thereof; FIG. 6 is a right elevation view thereof; FIG. 7 is a top plan view thereof; FIG. 8 is a bottom plan view thereof; FIG. 9 is a top left perspective view thereof; FIG. 10 is a bottom left perspective view thereof; and, FIG. 11 is a front perspective view thereof. The broken lines in the figures represent environmental subject matter which forms no part of the claim.

1 Claim, 3 Drawing Sheets

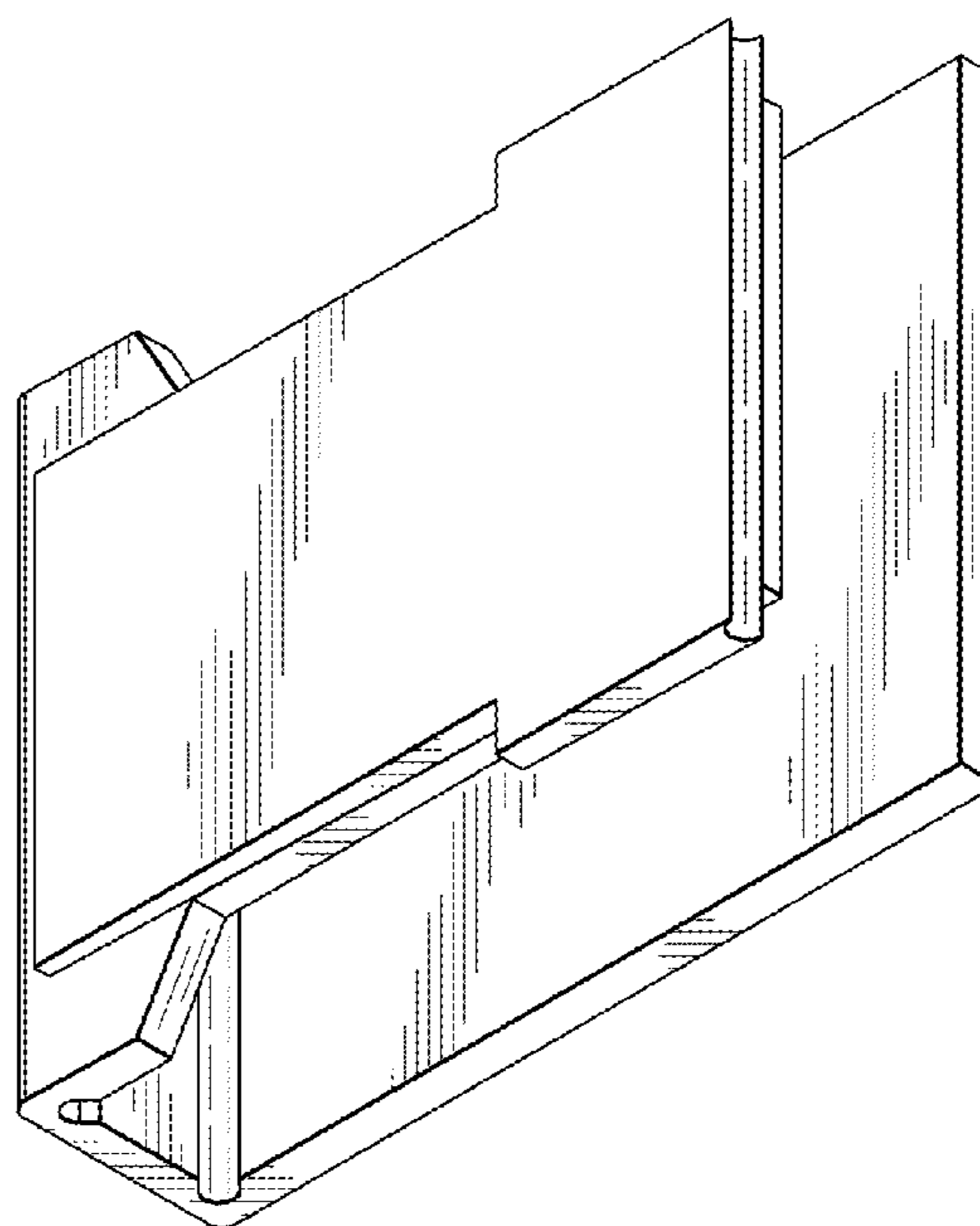
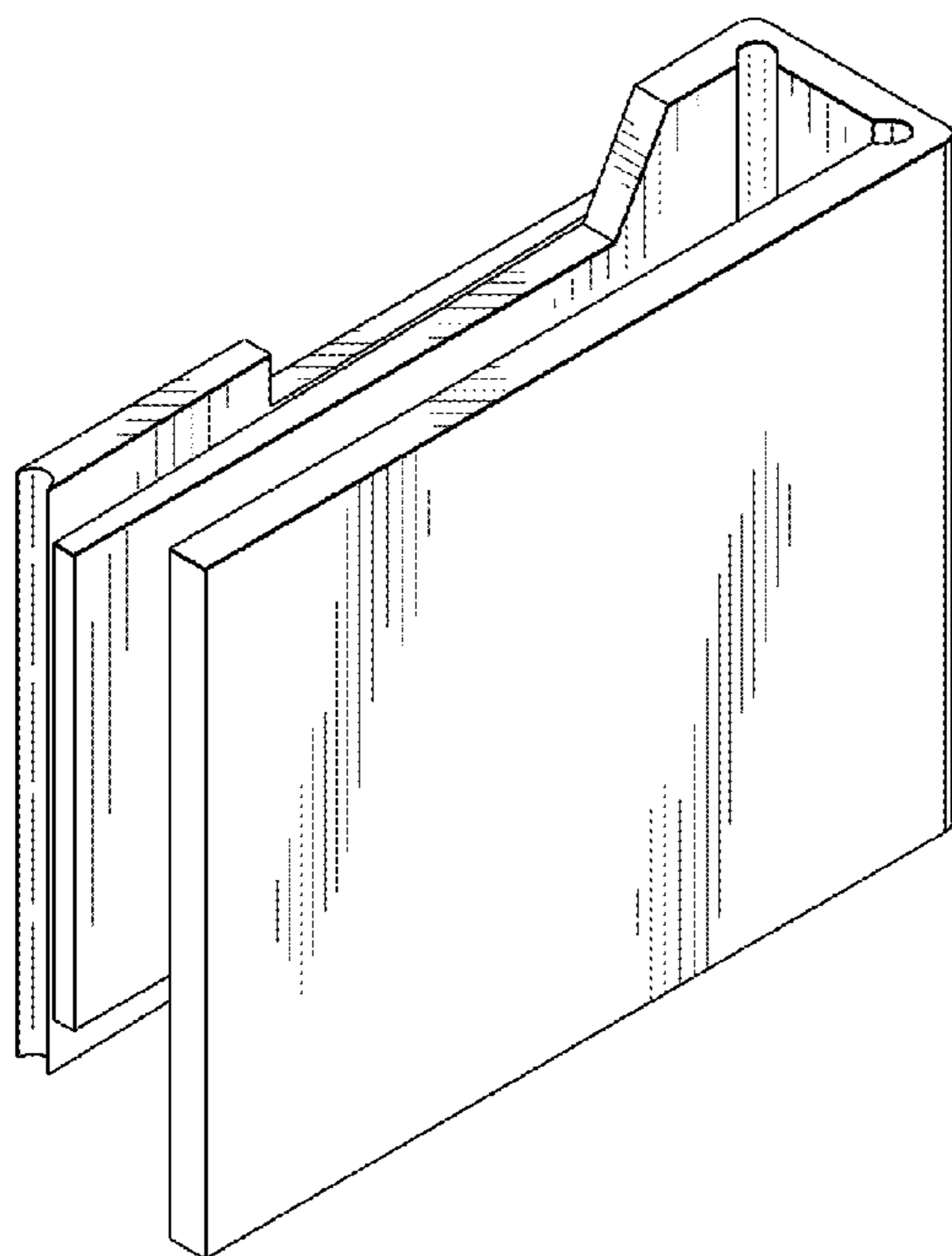


FIG. 1

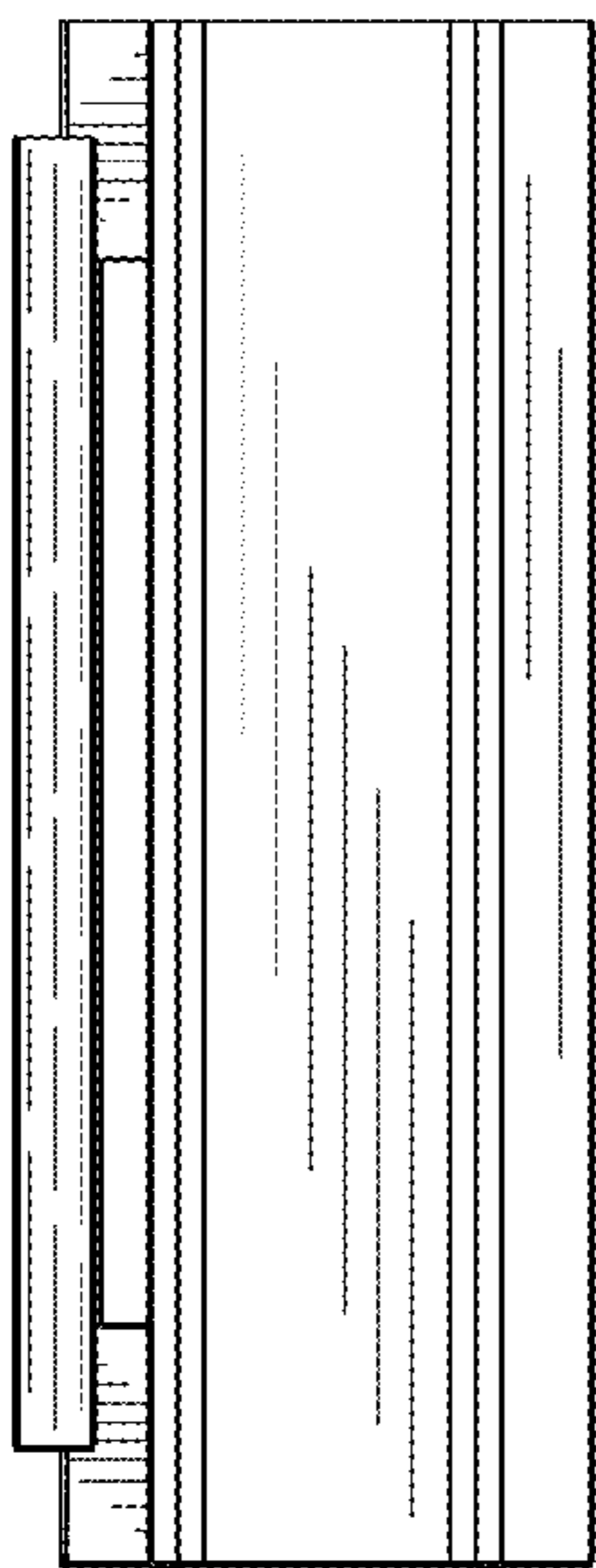
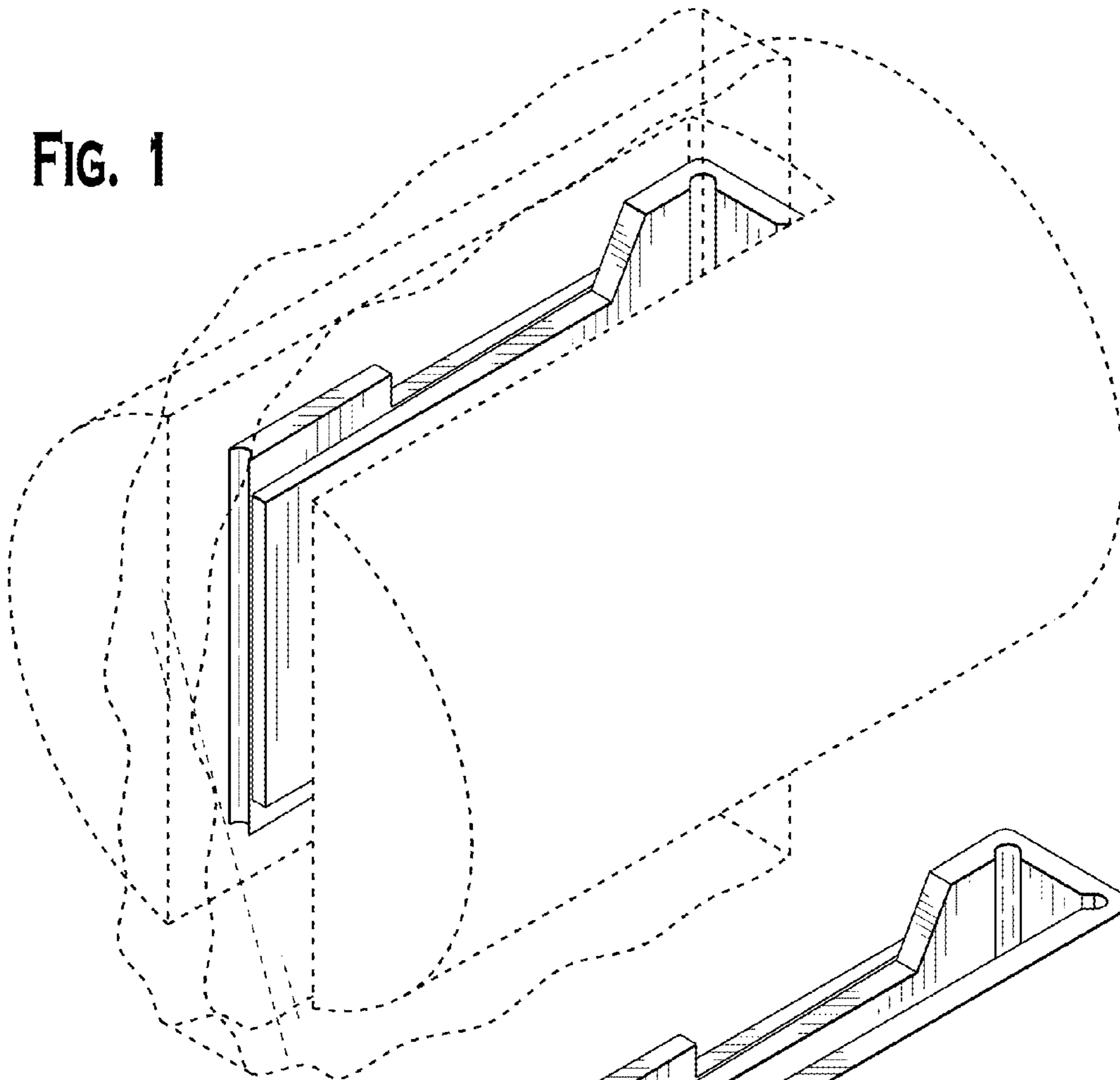


FIG. 3

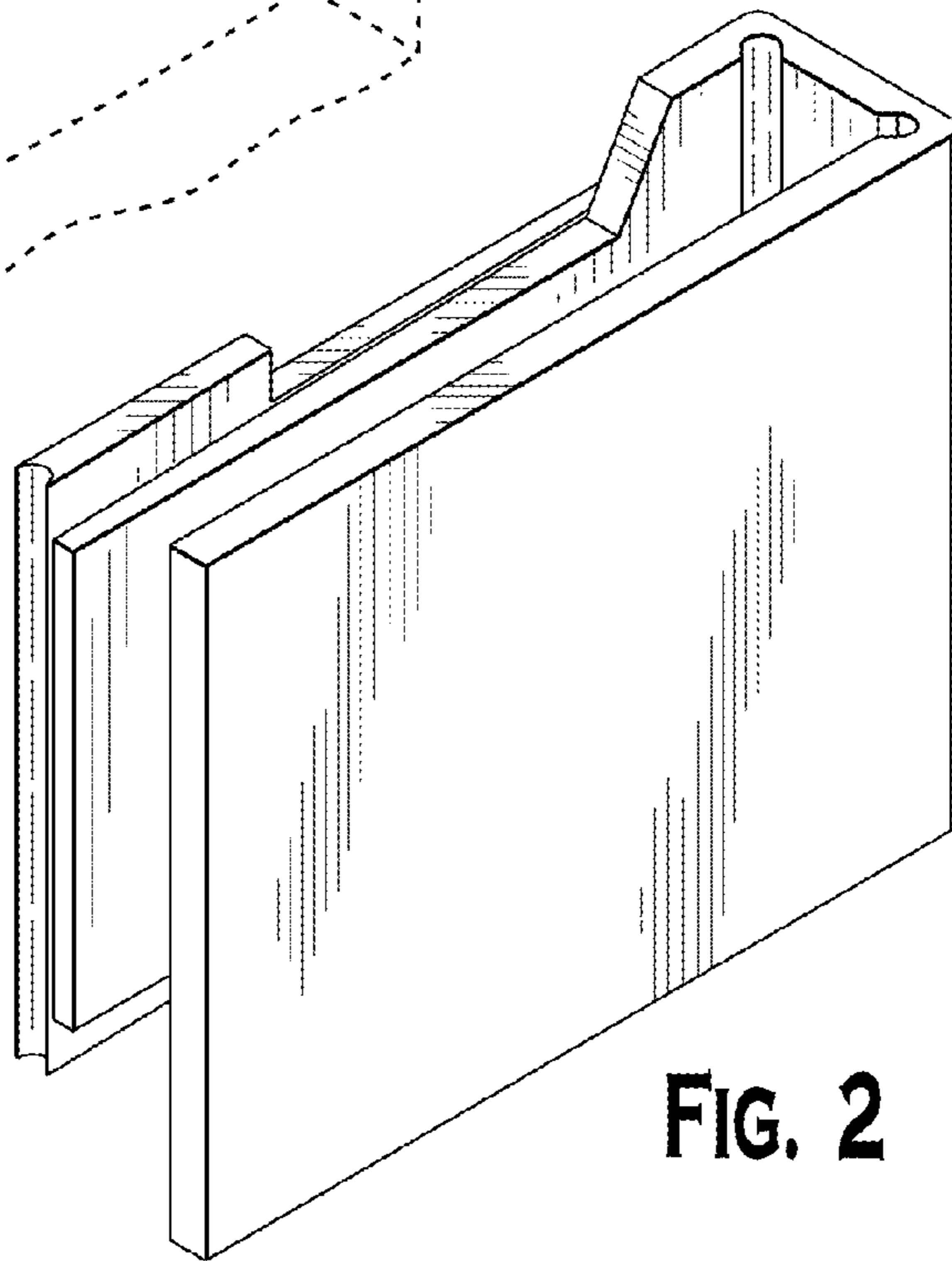


FIG. 2

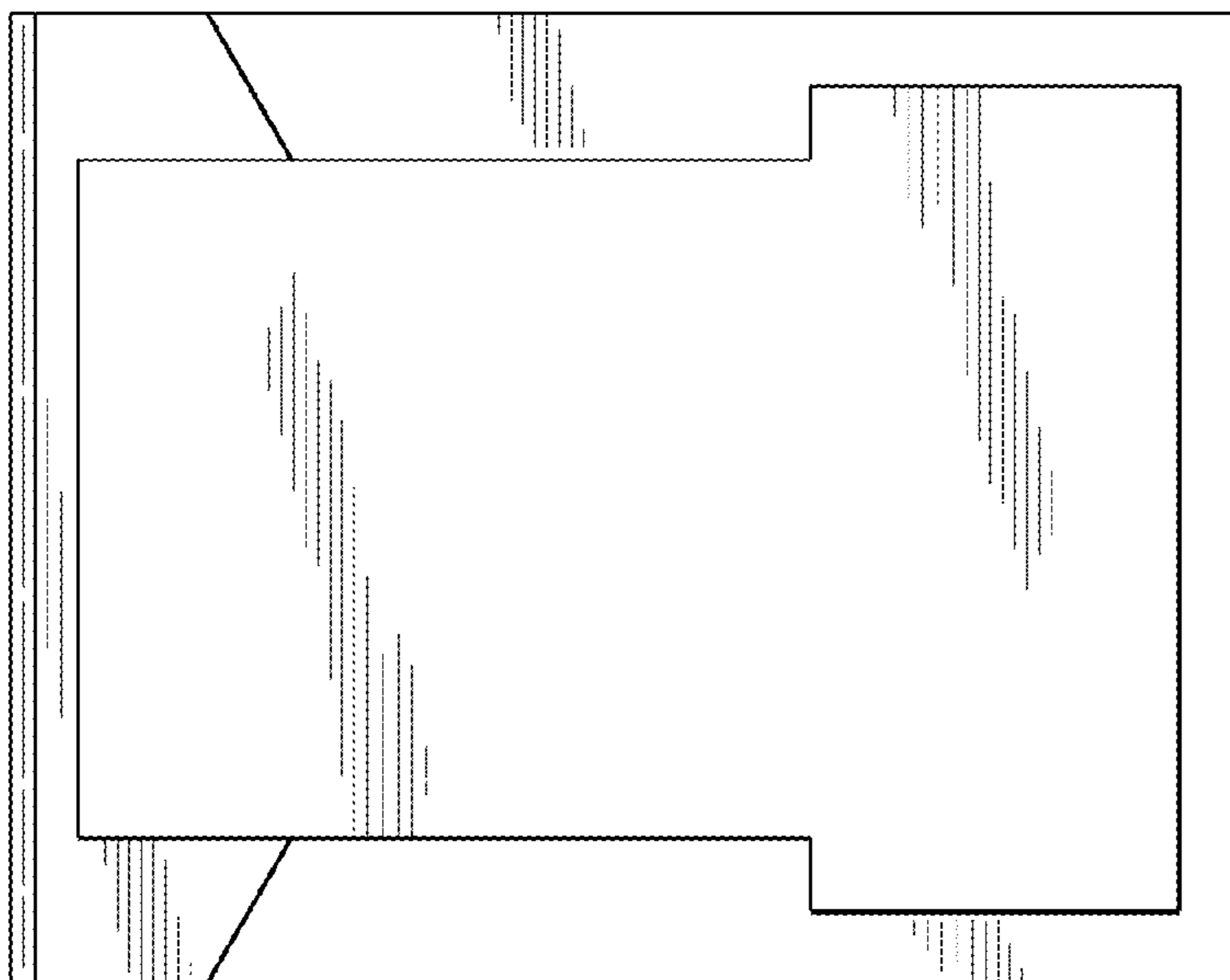


FIG. 4

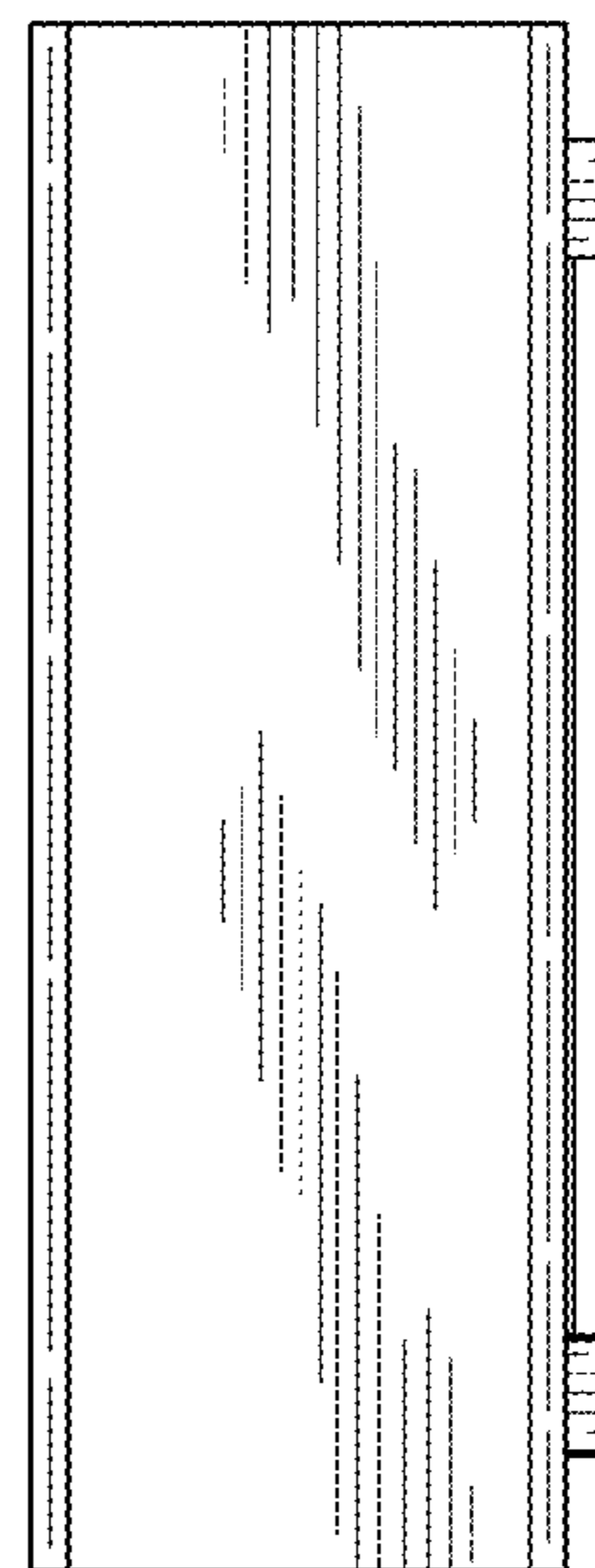


FIG. 5

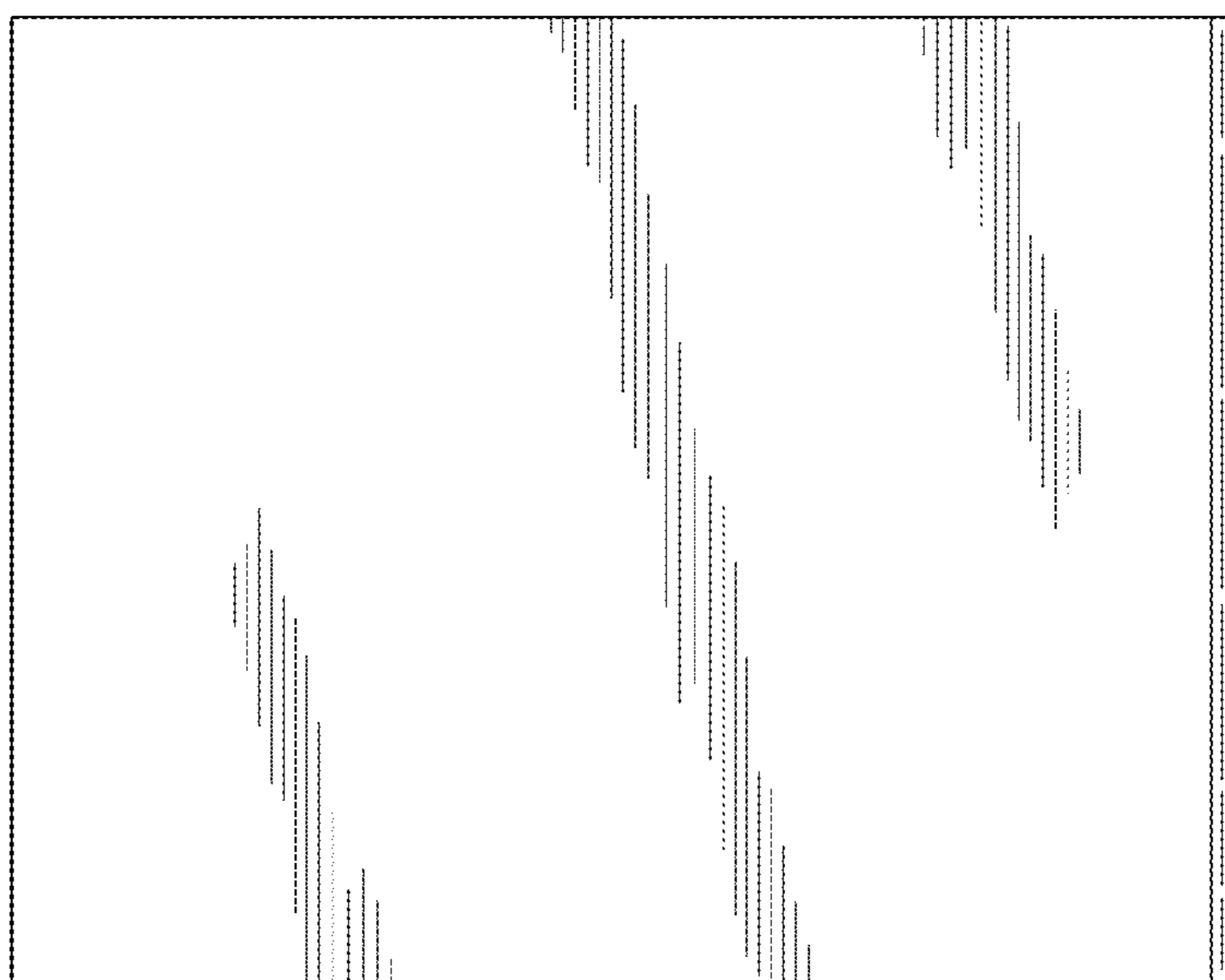


FIG. 6

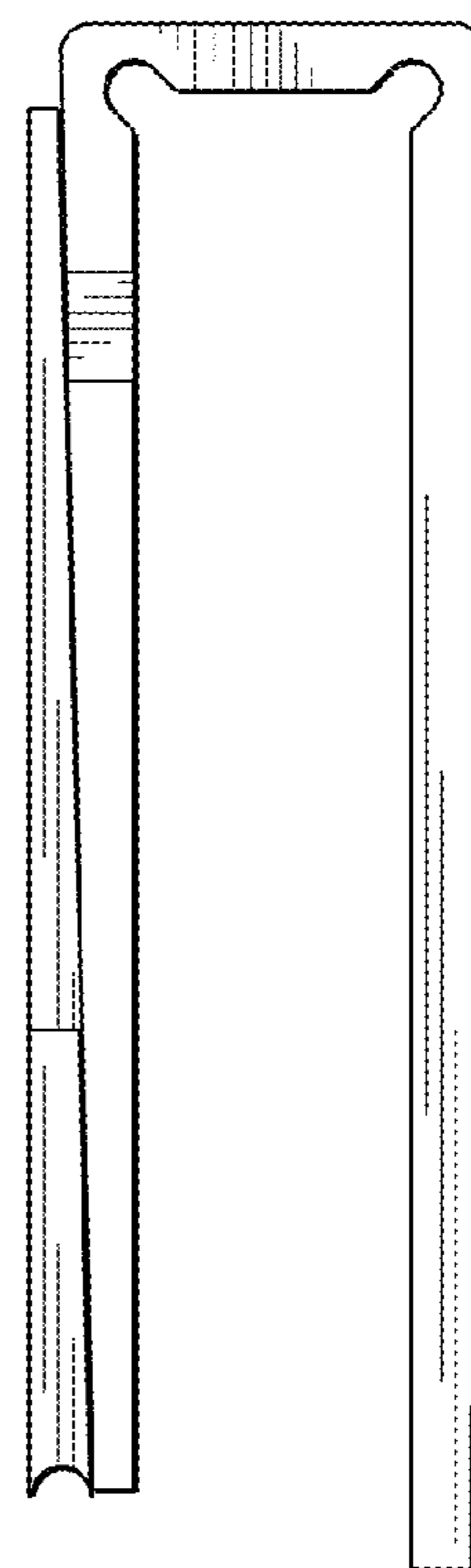


FIG. 7

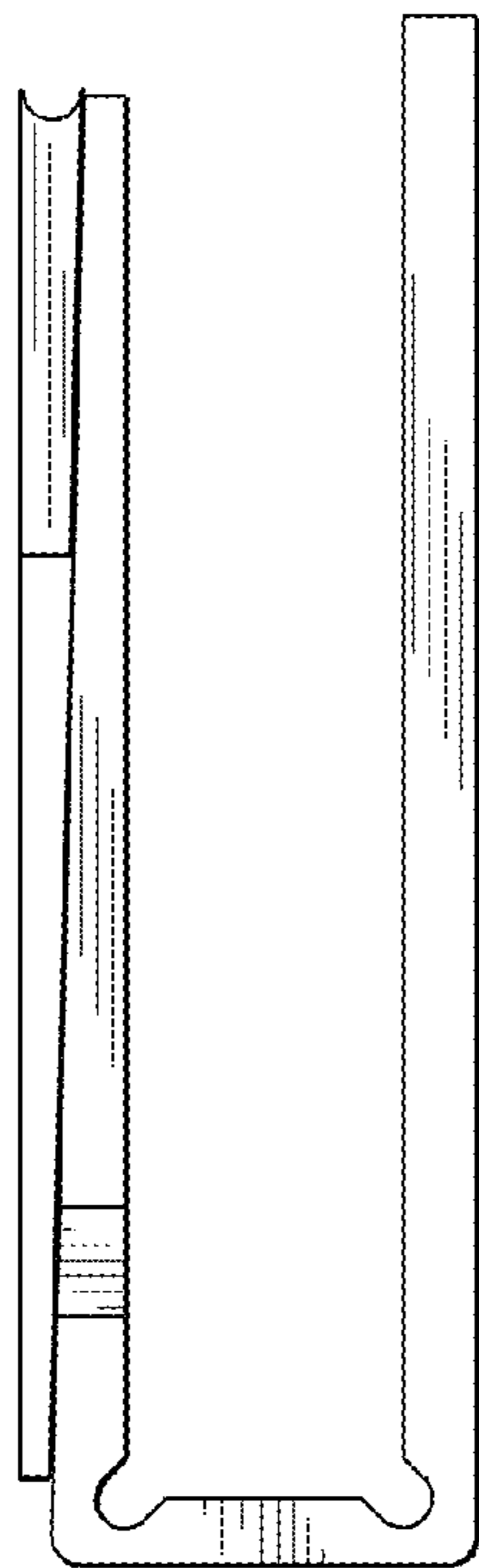


FIG. 8

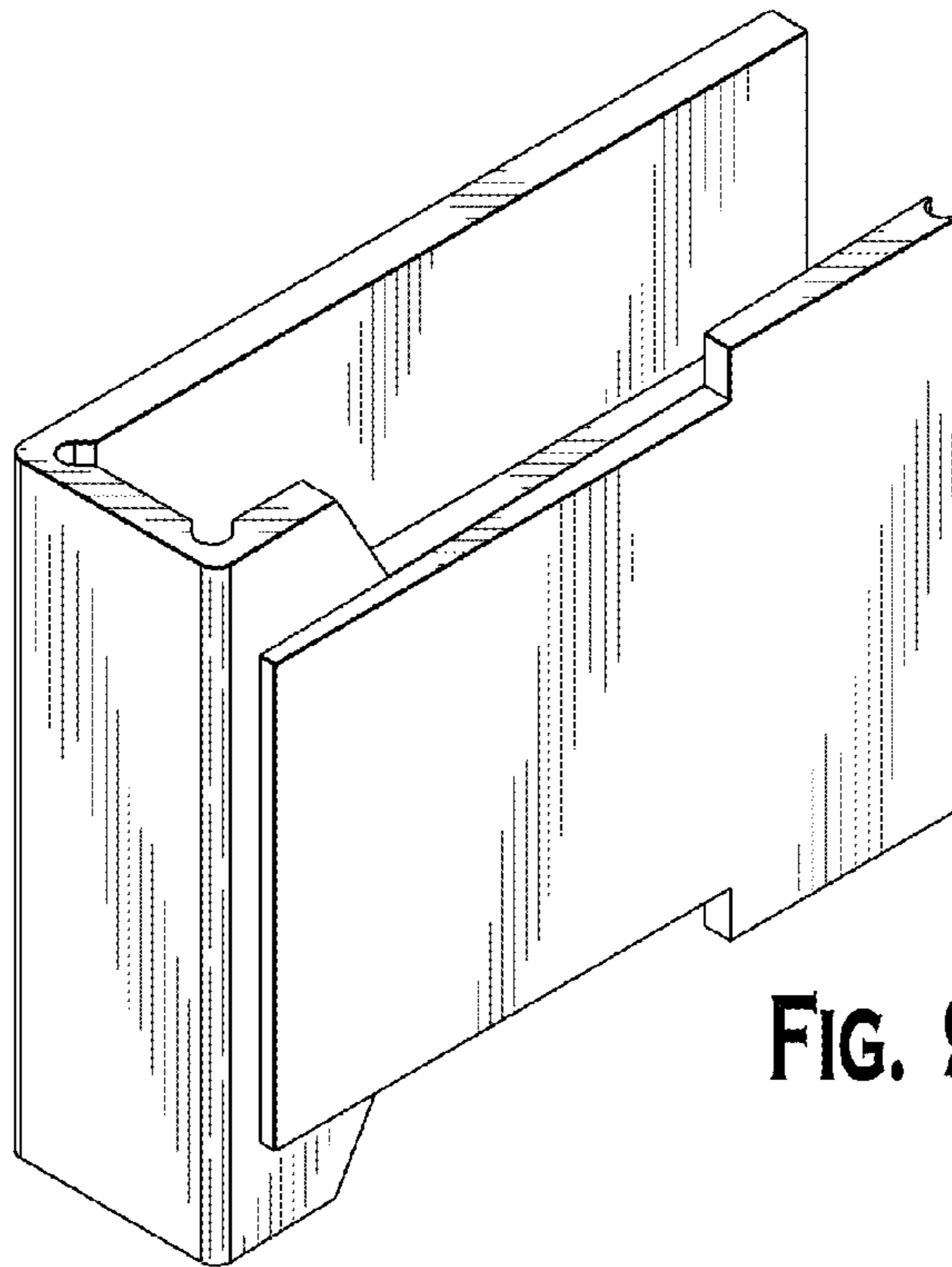


FIG. 9

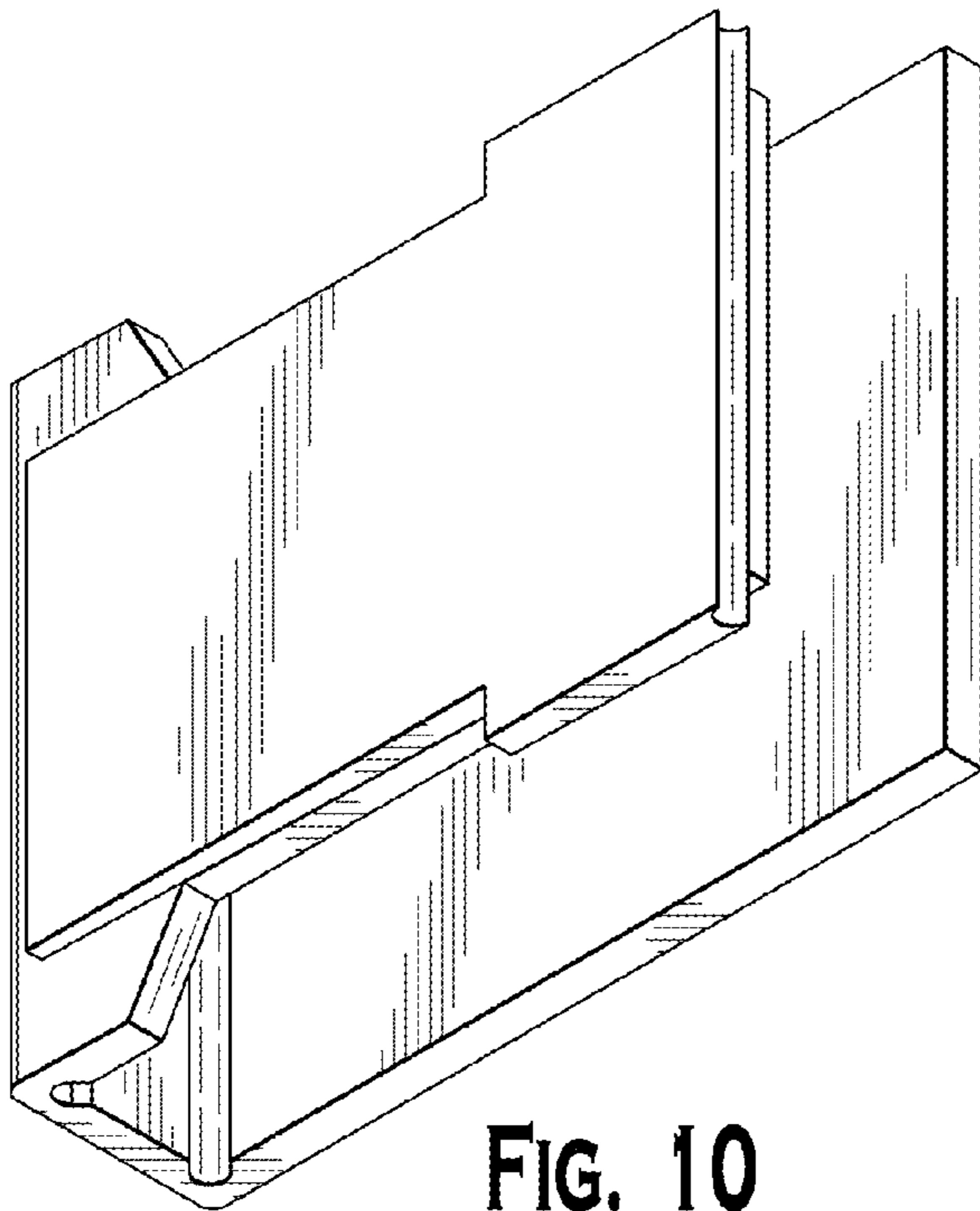


FIG. 10

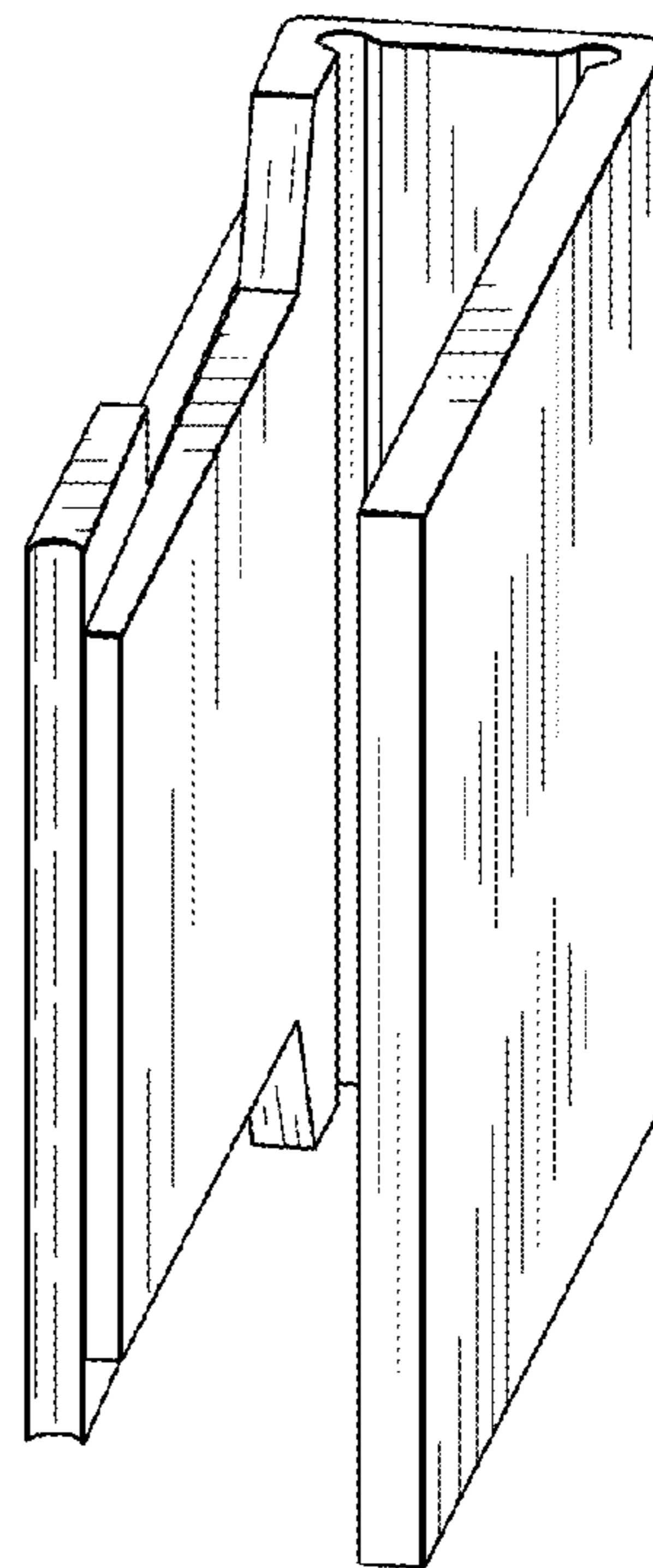


FIG. 11