



US00D756207S

(12) **United States Design Patent**
Tamilvel et al.

(10) **Patent No.:** **US D756,207 S**
(45) **Date of Patent:** **** May 17, 2016**

- (54) **CENTER PIVOT** 4,934,635 A * 6/1990 Sherman F16L 3/10
24/279
- (71) Applicant: **General Electric Company,** 5,016,544 A 5/1991 Woollam
Schenectady, NY (US) 5,048,427 A 9/1991 Dumoulin
D331,462 S * 12/1992 Kraus D24/143
5,488,910 A 2/1996 Pees
- (72) Inventors: **M Tamilvel,** Bangalore (IN); **Jingjun** 5,570,640 A 11/1996 Kroesch
Zhang, Erie, PA (US); **Milind Bharat** D408,727 S * 4/1999 Sherman D8/396
Garule, Bangalore (IN); **Vallish** D451,984 S * 12/2001 Tigerholm D23/262
Nagabhushana Madhugiri, Bangalore 6,397,760 B1 6/2002 Schmidt
(IN); **Robert Thomas Scott,** Shorewood, 6,536,594 B2 * 3/2003 Hayashi F16F 1/384
IL (US) 248/632
D488,999 S * 4/2004 Plattner D8/382
D518,365 S * 4/2006 Wamsley D8/382
D588,445 S * 3/2009 Holdsworth D8/382
D640,536 S * 6/2011 Larsen D8/394
- (73) Assignee: **General Electric Company,** 8,033,748 B2 * 10/2011 Krome B61D 3/10
Schenectady, NY (US) 213/75 R

(**) Term: **14 Years**

FOREIGN PATENT DOCUMENTS

- (21) Appl. No.: **29/488,080**
- (22) Filed: **Apr. 15, 2014**
- (51) **LOC (10) Cl.** **08-08**
- (52) **U.S. Cl.**
USPC **D8/382**
- (58) **Field of Classification Search**
USPC D8/349, 354, 382, 394, 395, 396, 399,
D8/499
CPC B61F 5/16; B61F 1/14; B61F 5/32;
B61F 5/22; B61F 5/50; B61F 19/10; B61F
99/00; B61F 15/00; B61F 15/08; B61F 15/04
See application file for complete search history.

| | | | |
|----|-----------|----|---------|
| EP | 1254821 | A1 | 11/2002 |
| EP | 2500233 | A1 | 9/2012 |
| EP | 2 631 149 | | 8/2013 |

* cited by examiner

Primary Examiner — Sheryl Lane

Assistant Examiner — Ieisha Price

(74) *Attorney, Agent, or Firm* — GE Global Patent Operation; John A. Kramer

(57) **CLAIM**

The ornamental design for a center pivot, as shown and described.

DESCRIPTION

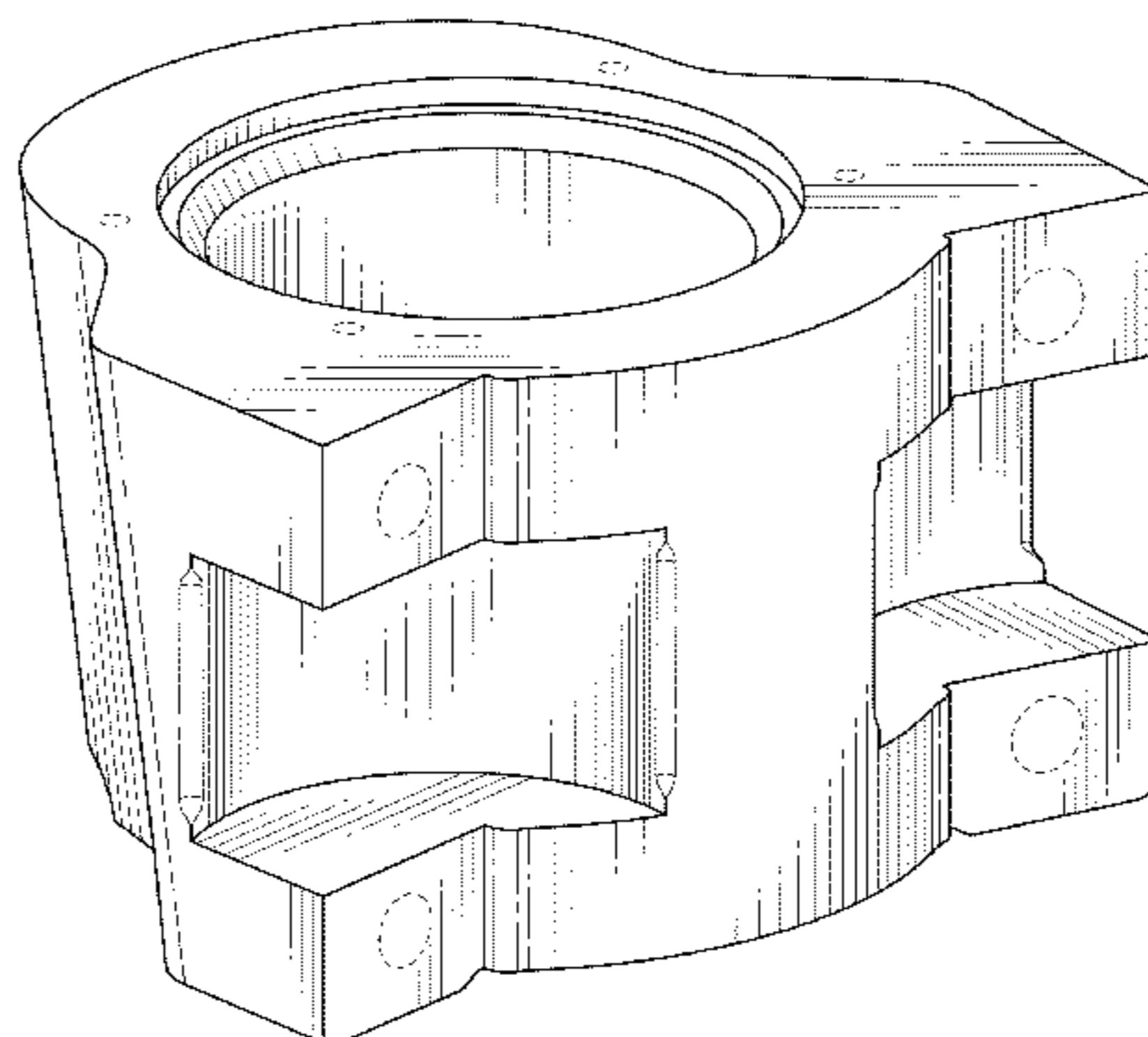
FIG. 1 is a perspective view of a center pivot depicting my new design;
 FIG. 2 is a left side elevational view thereof;
 FIG. 3 is a right side elevational view thereof;
 FIG. 4 is a front elevational view thereof;
 FIG. 5 is a rear elevational view thereof;
 FIG. 6 is a top plan view thereof; and,
 FIG. 7 is a bottom plan view thereof.
 The broken lines in the drawings illustrate portions of the center pivot and form no part of the claimed design.

1 Claim, 5 Drawing Sheets

(56) **References Cited**

U.S. PATENT DOCUMENTS

- 1,741,183 A * 12/1929 Carel, Jr. B61F 15/04
384/264
- 1,767,411 A * 6/1930 Stone B61F 15/04
384/173
- 1,831,877 A * 11/1931 Muchnic B61F 15/04
384/167
- 2,730,414 A * 1/1956 Palmgren B61F 15/00
384/459
- 3,370,815 A * 2/1968 Opperthausen F16L 3/13
138/106
- 4,357,879 A 11/1982 Mohacsi et al.



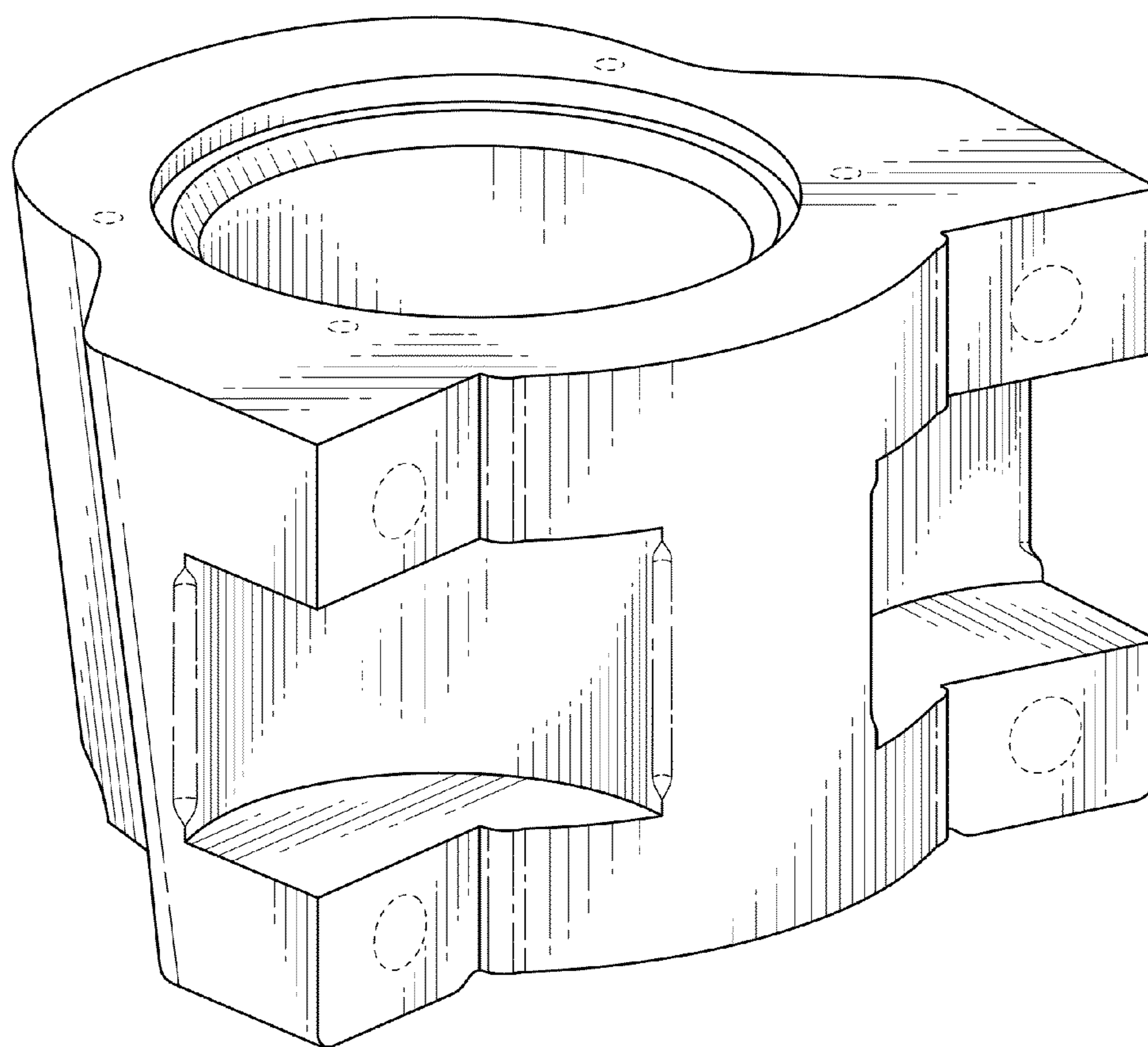


FIG. 1

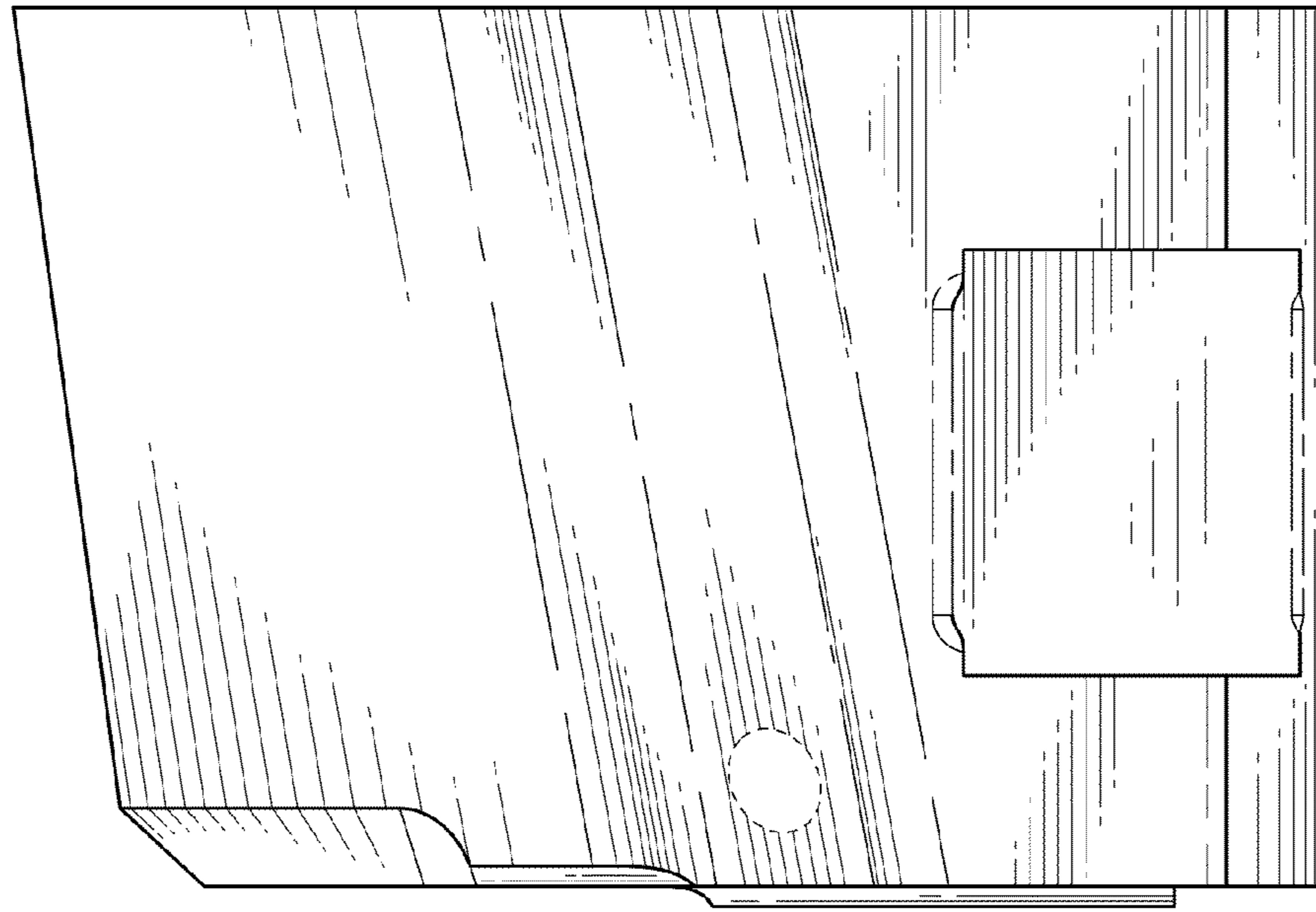


FIG. 2

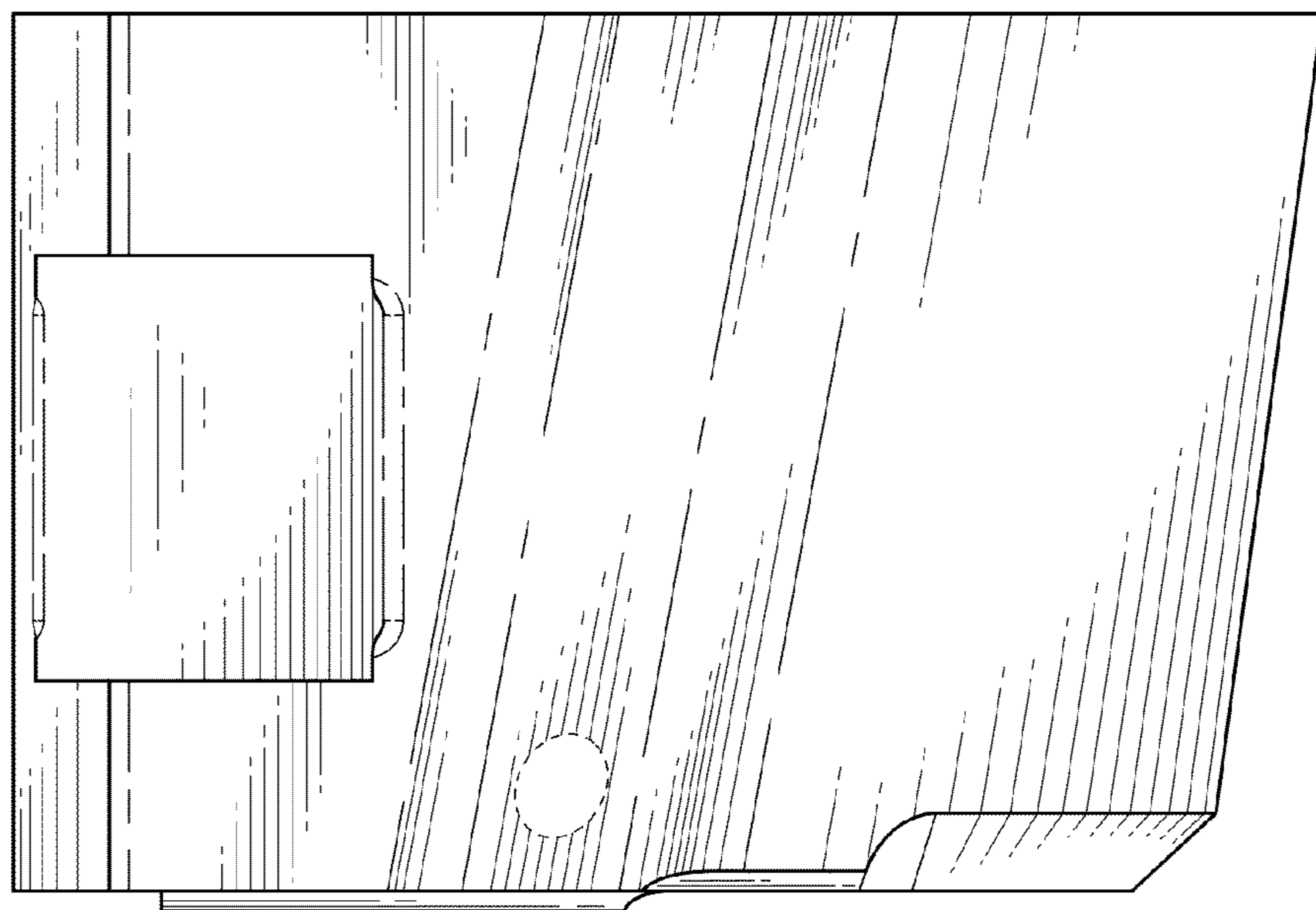


FIG. 3

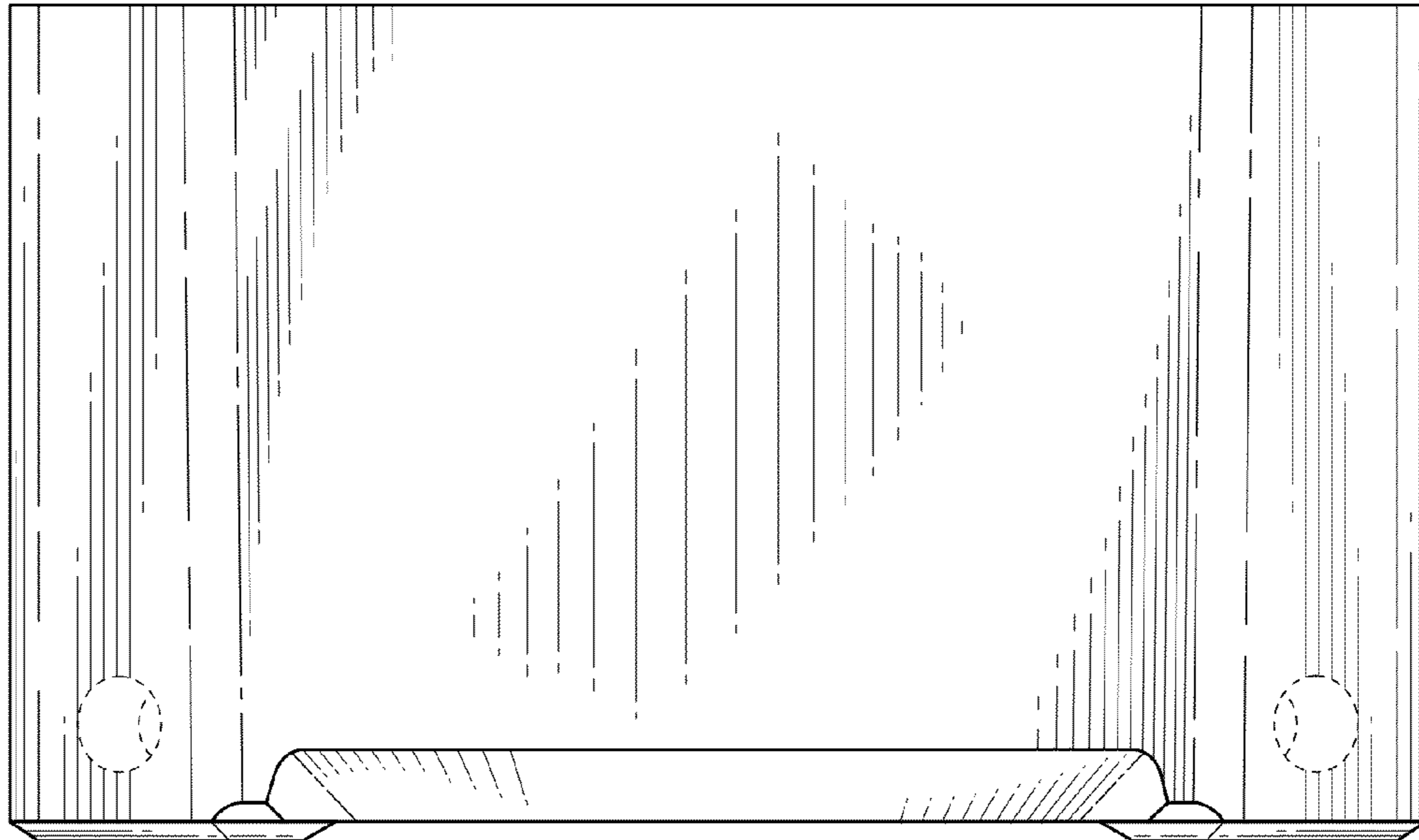


FIG. 4

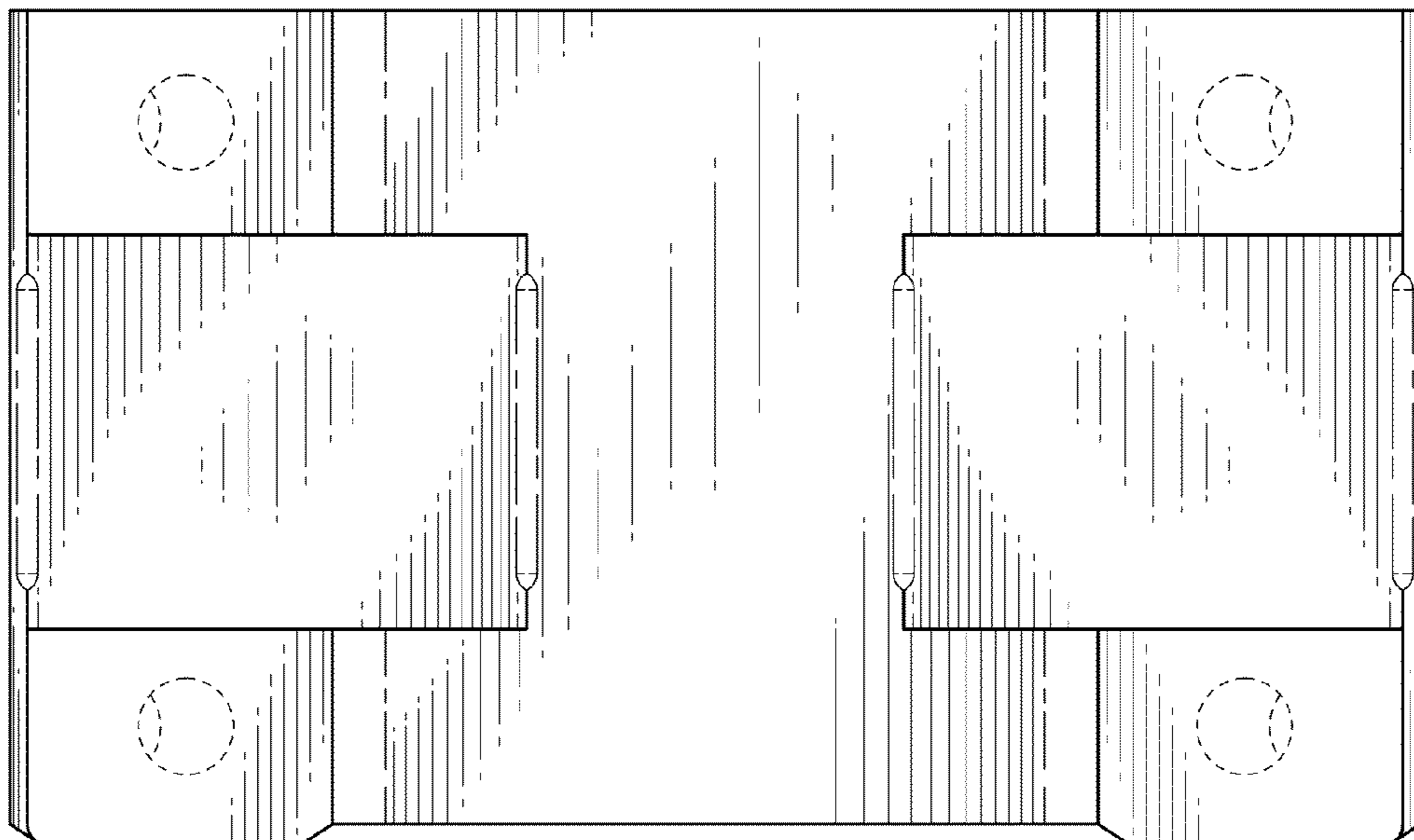


FIG. 5

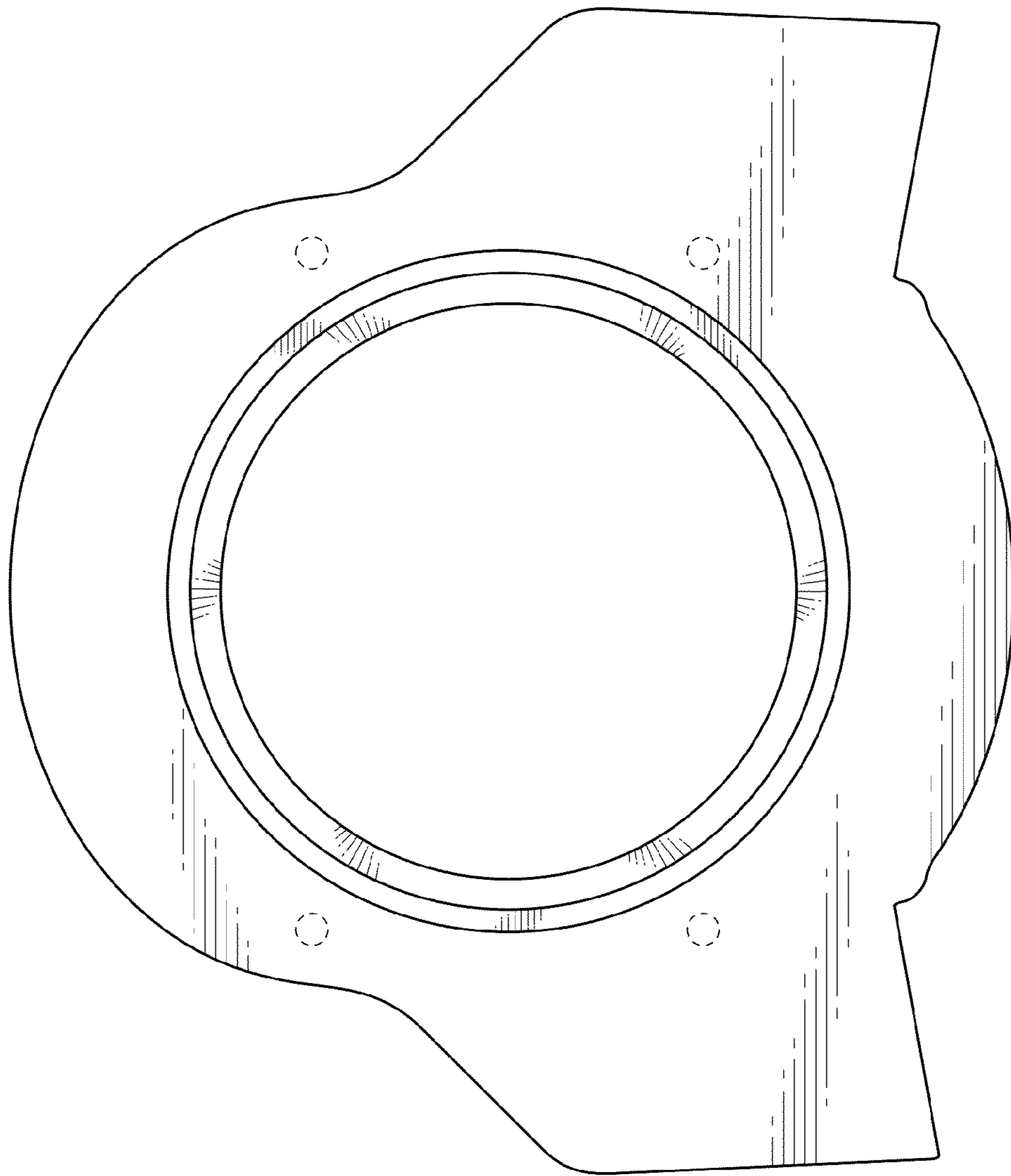


FIG. 6

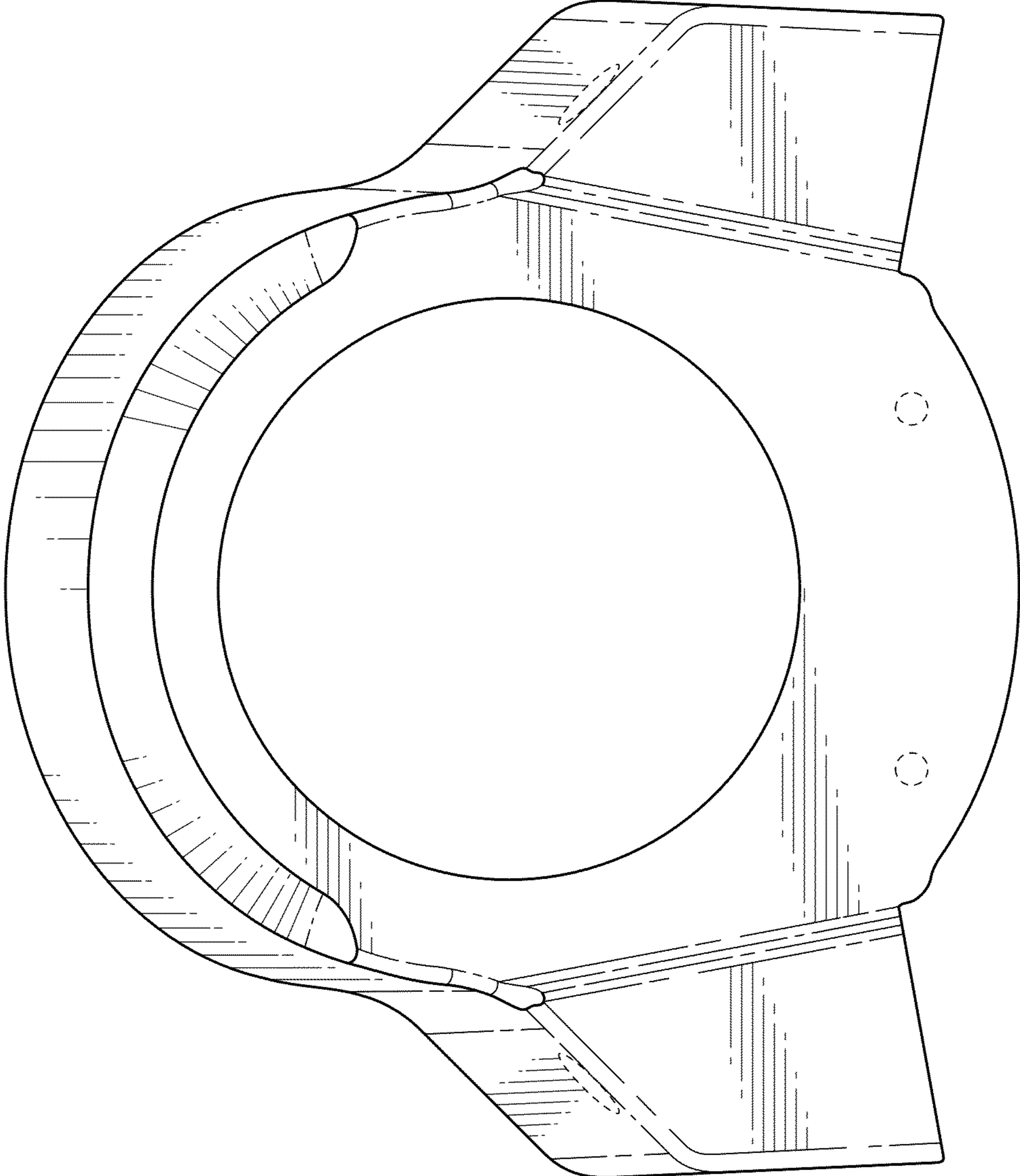


FIG. 7