



US00D756206S

(12) **United States Design Patent**
Pan

(10) **Patent No.:** **US D756,206 S**
(45) **Date of Patent:** **** May 17, 2016**

(54) **HOLDER**

(71) Applicant: **3M INNOVATIVE PROPERTIES COMPANY**, St. Paul, MN (US)
(72) Inventor: **Angela L. Pan**, Woodbury, MN (US)
(73) Assignee: **3M INNOVATIVE PROPERTIES COMPANY**, St. Paul, MN (US)

(**) Term: **14 Years**

(21) Appl. No.: **29/486,965**

(22) Filed: **Apr. 4, 2014**

(51) **LOC (10) Cl.** **08-05**

(52) **U.S. Cl.**
USPC **D8/372**

(58) **Field of Classification Search**
USPC D8/16, 17, 18, 19, 20, 26, 363, 366, D8/370-377, 380-382
CPC B25B 27/00; B25B 27/14; B25B 27/02; B25B 9/00; B25B 27/0092; B25B 27/023; B25B 31/00; B25B 27/0028; B25B 27/0035; B25B 27/062; B25B 33/00; B25B 9/02; B25B 13/48; B25B 23/00; B25B 23/10; B25B 23/101; B25B 27/10

See application file for complete search history.

(56) **References Cited**

U.S. PATENT DOCUMENTS

D76,439 S * 9/1928 Vermillion D8/380
D86,963 S * 5/1932 Maves D8/380
D143,677 S 1/1946 Smith
D199,321 S 10/1964 Peterson
D291,154 S 8/1987 Owen
4,830,198 A 5/1989 Colquitt
D327,197 S 6/1992 Belokin, Jr.
D409,426 S 5/1999 Hampshire
D423,339 S * 4/2000 Snell D6/567
D444,377 S * 7/2001 Harvey D6/513

D458,070 S 6/2002 Bennett
D472,134 S 3/2003 Goodman
D480,292 S 10/2003 Johansson
D483,593 S 12/2003 Knapp
D499,329 S * 12/2004 Suero, Jr. D8/372
D502,221 S 2/2005 Chen
D532,234 S 11/2006 Snell
D556,025 S * 11/2007 Kubota D8/372
D559,089 S 1/2008 Goodman
D559,091 S * 1/2008 Skorka D8/367
D581,711 S 12/2008 Goodman
D600,538 S 9/2009 Thompson

(Continued)

FOREIGN PATENT DOCUMENTS

CA 157032 1/2015
CA 158958 6/2015

(Continued)

OTHER PUBLICATIONS

MaprobadAccessoires, p. 4, (JPO Reference No. HD10024824).

(Continued)

Primary Examiner — Robert M Spear
Assistant Examiner — Eliza Bennett-Hattan
(74) *Attorney, Agent, or Firm* — Irina Hass

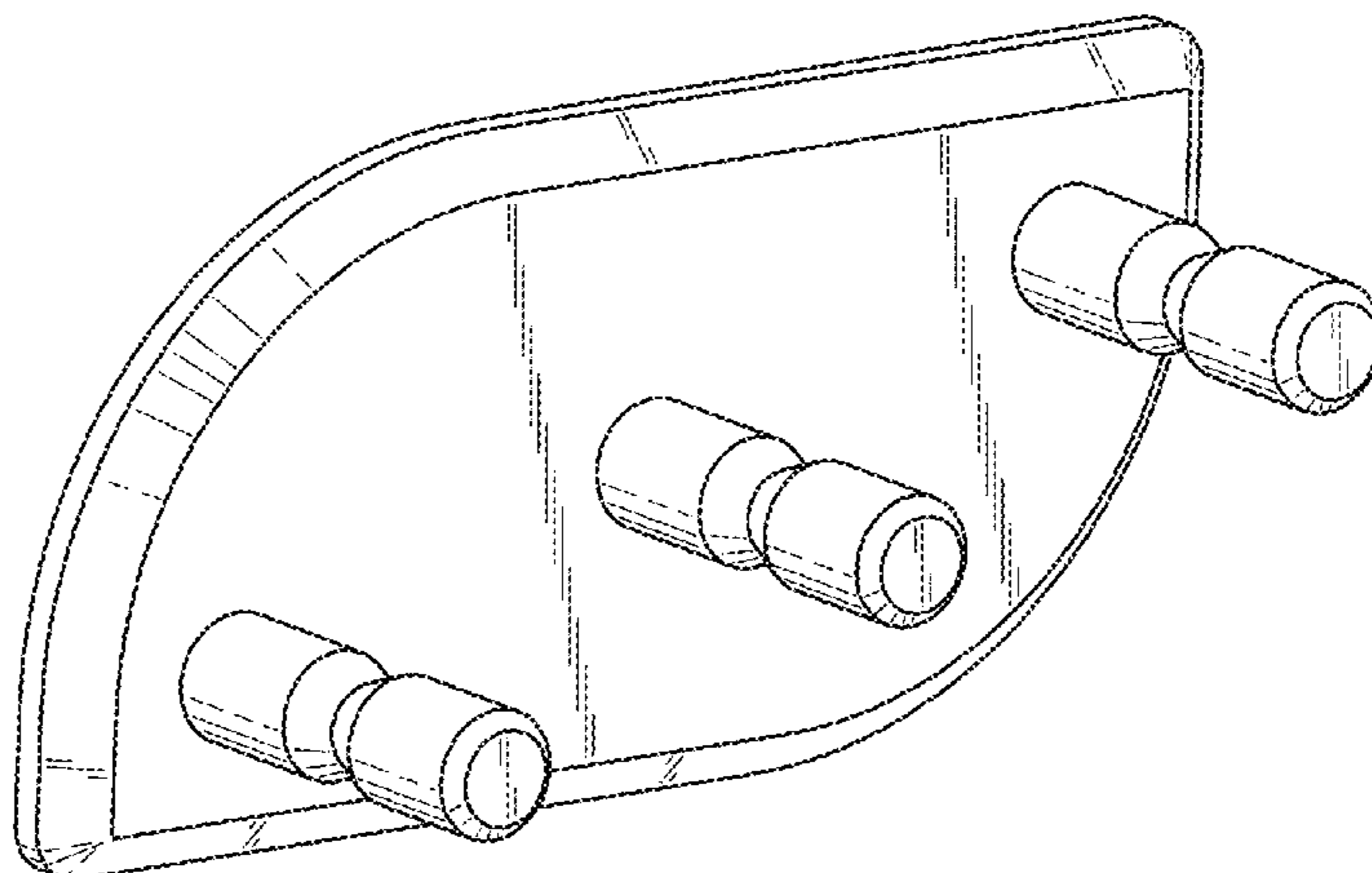
(57) **CLAIM**

The ornamental design for a holder, as shown and described.

DESCRIPTION

FIG. 1 is a perspective view showing the new design for a holder;
FIG. 2 is a front view thereof;
FIG. 3 is a rear view thereof;
FIG. 4 is a top view thereof, a bottom view being a mirror image thereof; and,
FIG. 5 is a right side view thereof, a left side view being a mirror image thereof.

1 Claim, 2 Drawing Sheets



(56)

References Cited

U.S. PATENT DOCUMENTS

D609,995 S 2/2010 Hager
D632,950 S 2/2011 McGreevy
D633,372 S * 3/2011 Ayrest D8/372
D641,228 S 7/2011 Qiblawi
D665,653 S 8/2012 Thompson
D668,530 S * 10/2012 Bermudez D8/372
D678,041 S 3/2013 Pan
D679,578 S * 4/2013 Gilboe D6/569
D680,804 S 4/2013 Gilboe
D680,852 S 4/2013 Gilboe
D682,014 S 5/2013 Gilboe
D694,097 S 11/2013 Hammer

D697,389 S 1/2014 Pan
D699,973 S 2/2014 Pan
D716,134 S 10/2014 Pan

FOREIGN PATENT DOCUMENTS

KR 30-0484213 3/2008
KR 30-0500920 8/2008

OTHER PUBLICATIONS

“11-Peg Acrylic Necklace Rack”, The Container Store, [available and retrieved on the internet Apr. 1, 2014], <<http://www.containerstore.com/shop/jewelryStorage/hanging?productId=10028400&N=81049>>.

* cited by examiner

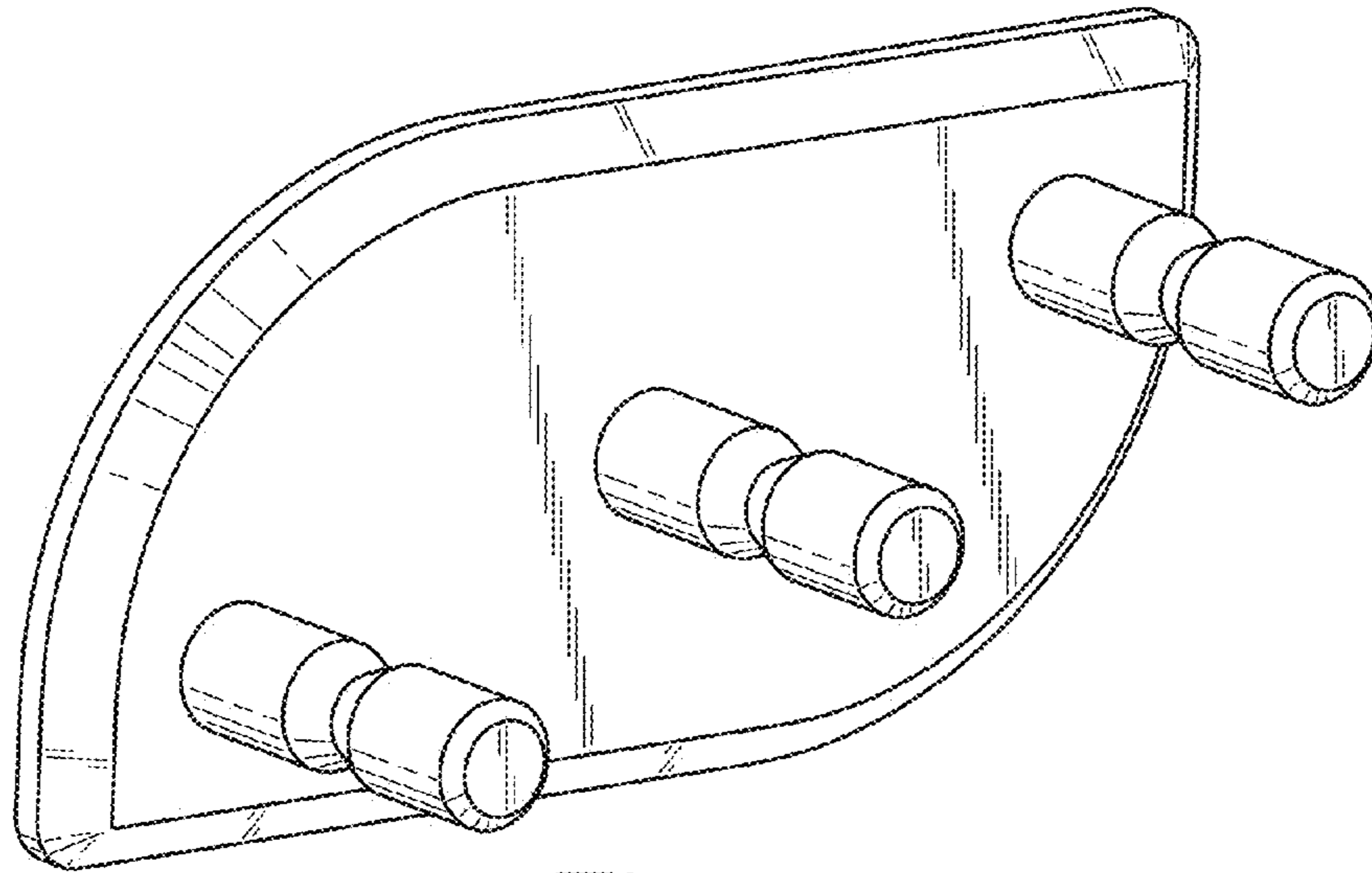


Fig. 1

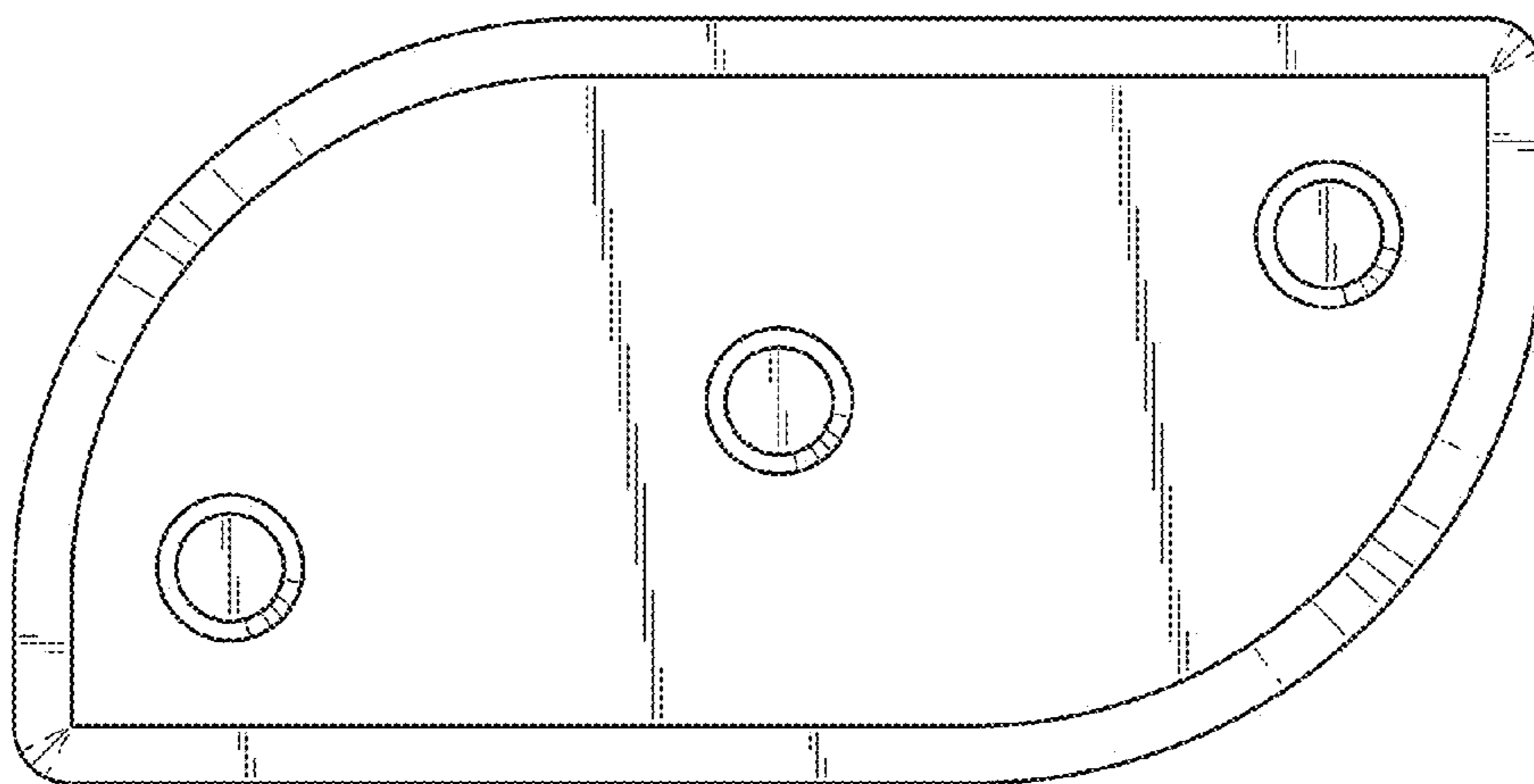


Fig. 2

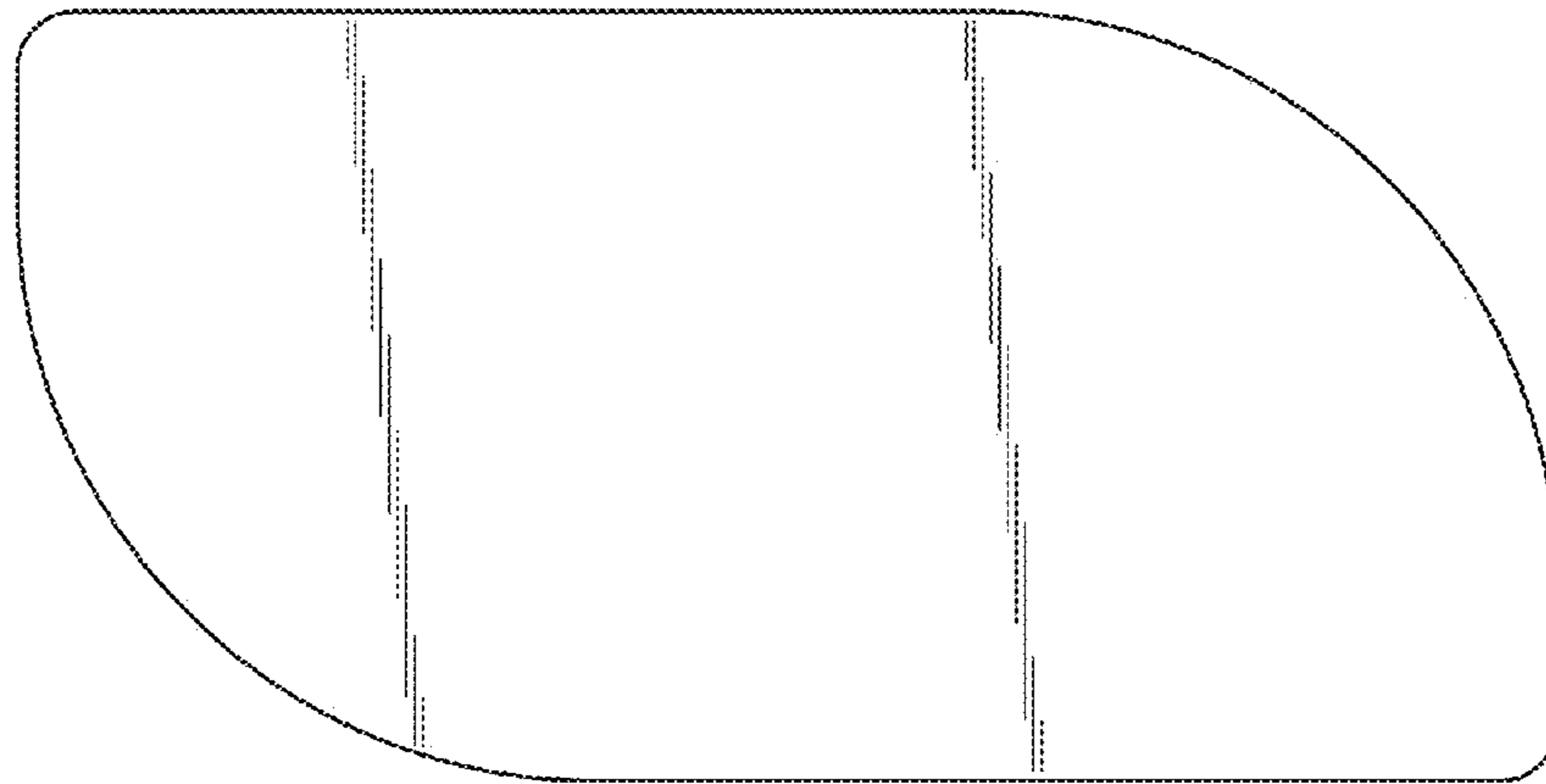


Fig. 3

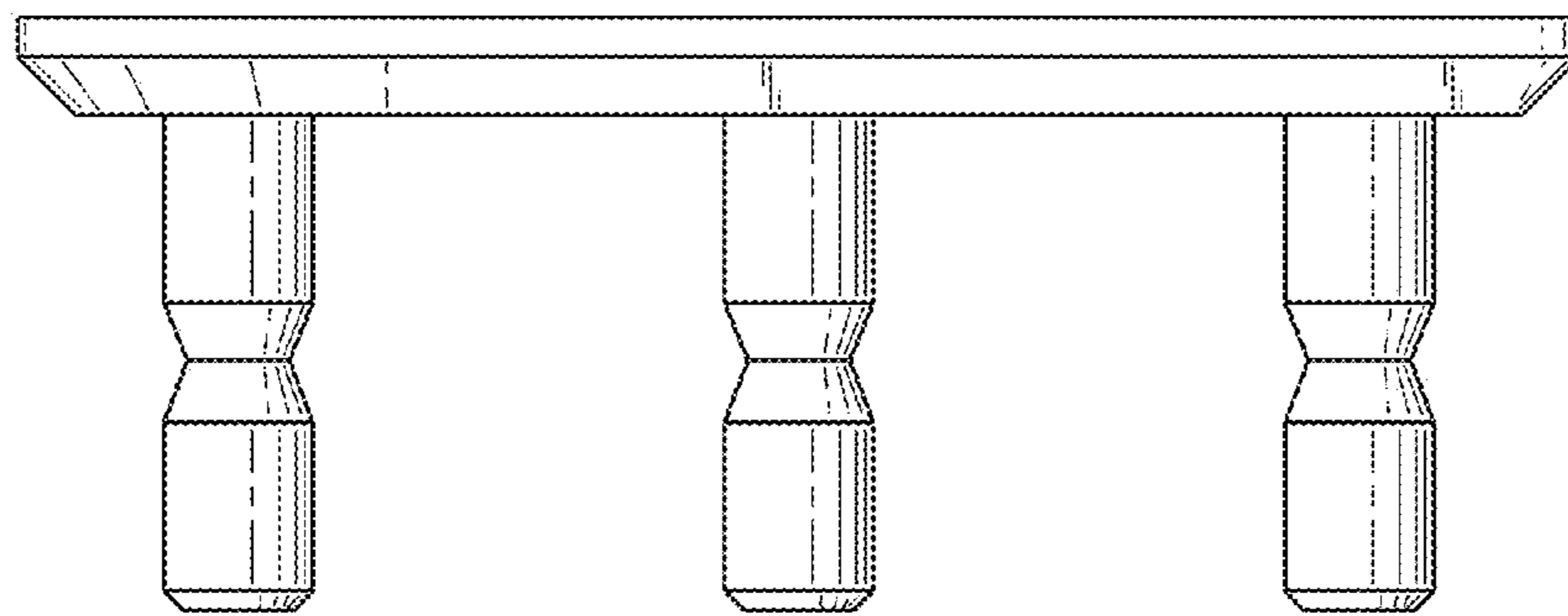


Fig. 4

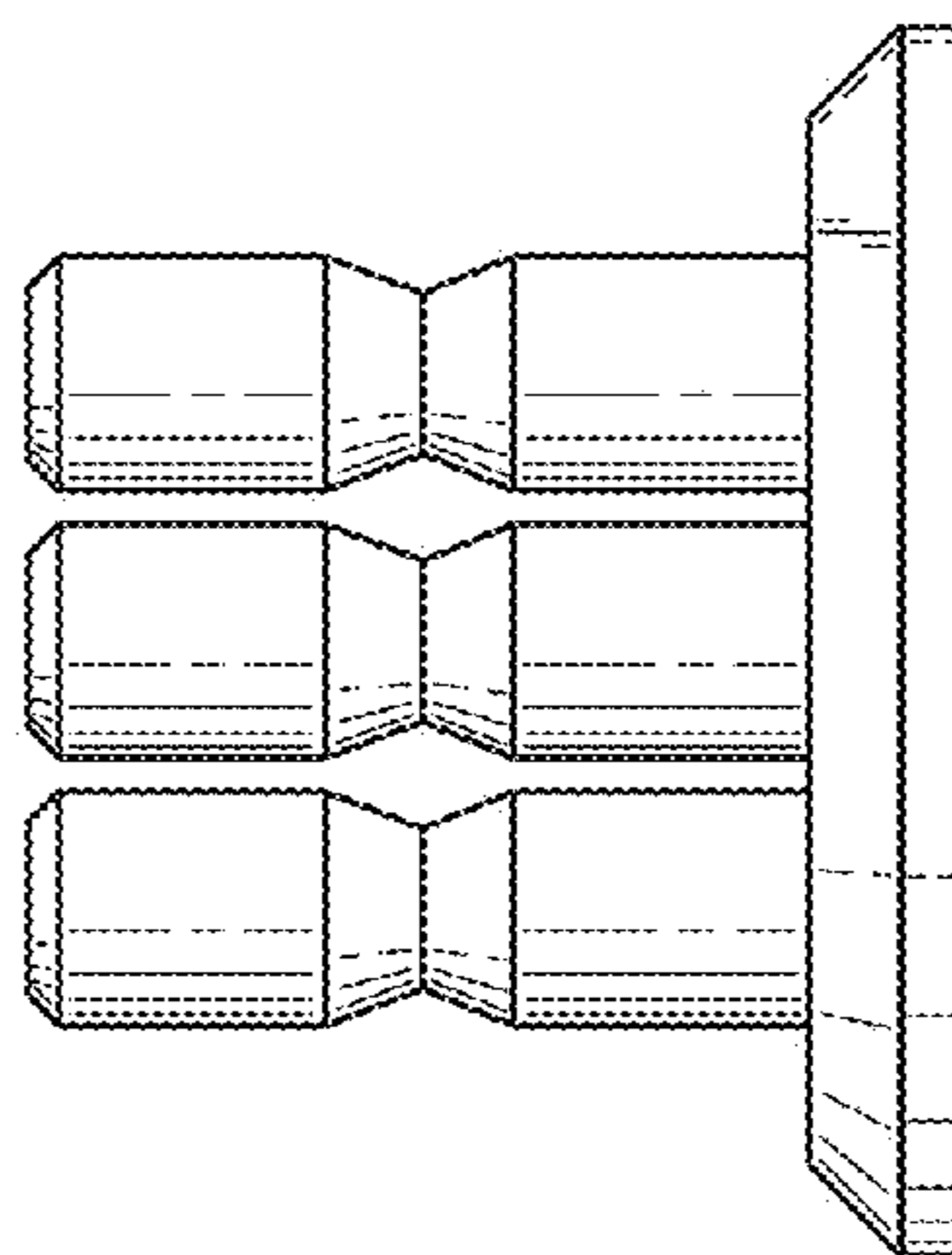


Fig. 5