



US00D756202S

(12) **United States Design Patent**  
**Leduc**

(10) **Patent No.:** **US D756,202 S**

(45) **Date of Patent:** **\*\* May 17, 2016**

- (54) **TOWER FRAME BRACKET**
- (71) Applicant: **Roger Leduc**, Ramona, CA (US)
- (72) Inventor: **Roger Leduc**, Ramona, CA (US)
- (\*\*) Term: **14 Years**
- (21) Appl. No.: **29/515,918**
- (22) Filed: **Jan. 28, 2015**
- (51) **LOC (10) Cl.** ..... **08-05**
- (52) **U.S. Cl.**  
USPC ..... **D8/354**
- (58) **Field of Classification Search**  
USPC ..... D8/349, 354-355, 373, 380, 382-383,  
D8/394, 396; D13/102, 118, 149, 154,  
D13/155, 184, 199  
CPC ..... E04B 1/19; E04B 1/1903; F16B 9/02  
See application file for complete search history.

- D730,545 S \* 5/2015 Stauffer ..... D25/133
- D732,929 S \* 6/2015 Harrow ..... D8/354
- D732,930 S \* 6/2015 Harrow ..... D8/354
- D732,931 S \* 6/2015 Charette ..... D8/354
- 9,140,282 B2 \* 9/2015 Werner ..... F24J 2/14
- D745,820 S \* 12/2015 Alvarez Brena ..... D25/199

\* cited by examiner

*Primary Examiner* — Rosemary K Tarcza  
*Assistant Examiner* — Nathaniel D. Buckner  
 (74) *Attorney, Agent, or Firm* — Arc IP Law, PC; Joseph J. Mayo

(57) **CLAIM**  
 The design for a tower frame bracket, as shown and described.

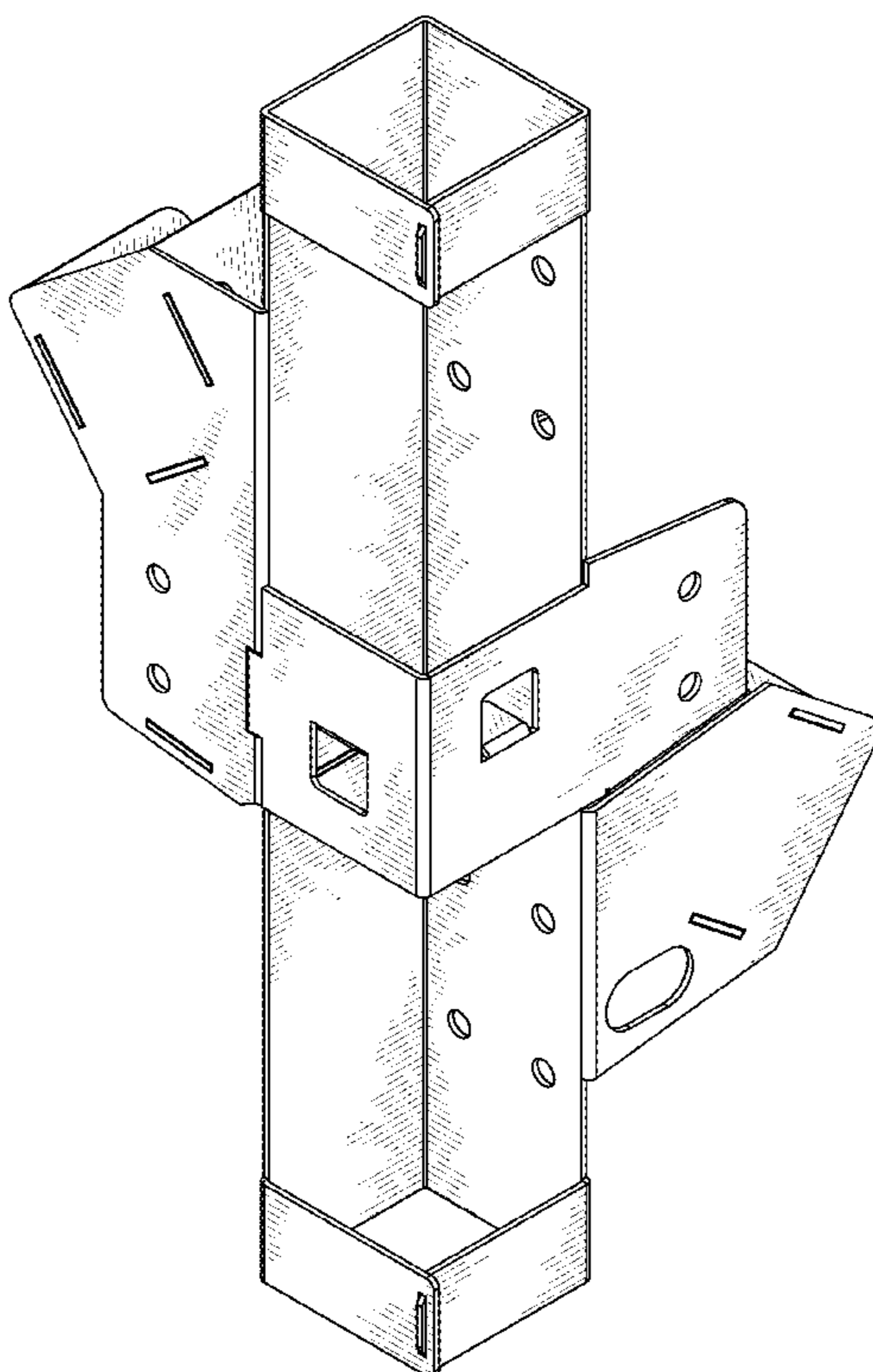
**DESCRIPTION**

FIG. 1 is an upper front perspective view of a tower frame bracket.  
 FIG. 2 is an upper rear perspective view of a tower frame bracket.  
 FIG. 3 is a bottom perspective view of a tower frame bracket.  
 FIG. 4 is a front view of a tower frame bracket.  
 FIG. 5 is a back view of a tower frame bracket.  
 FIG. 6 is a left side view of a tower frame bracket.  
 FIG. 7 is a right side view of a tower frame bracket.  
 FIG. 8 is a top view of a tower frame bracket; and,  
 FIG. 9 is a bottom view of a tower frame bracket.  
 The broken lines shown in the figures form no part of the claimed design.

(56) **References Cited**  
 U.S. PATENT DOCUMENTS

- D548,048 S \* 8/2007 Sherrard ..... D8/349
- D558,039 S \* 12/2007 Skinner ..... D8/354
- D558,041 S \* 12/2007 Skinner ..... D8/354
- D591,586 S \* 5/2009 Dagg ..... D8/382
- D611,887 S \* 3/2010 Peschmann ..... D12/223
- D618,085 S \* 6/2010 Lin ..... D8/354
- D711,211 S \* 8/2014 Walker ..... D8/349

**1 Claim, 9 Drawing Sheets**



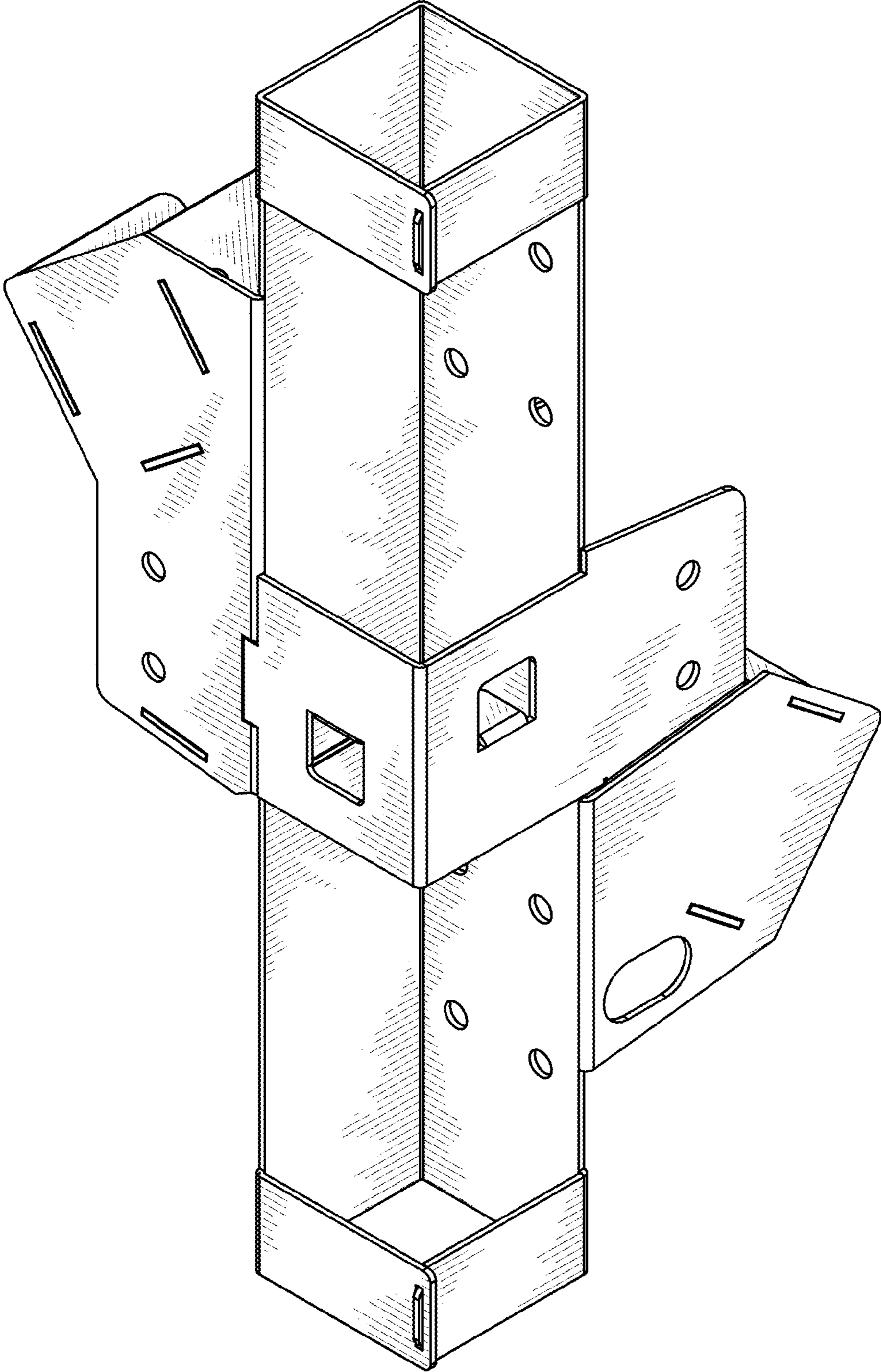


FIG. 1

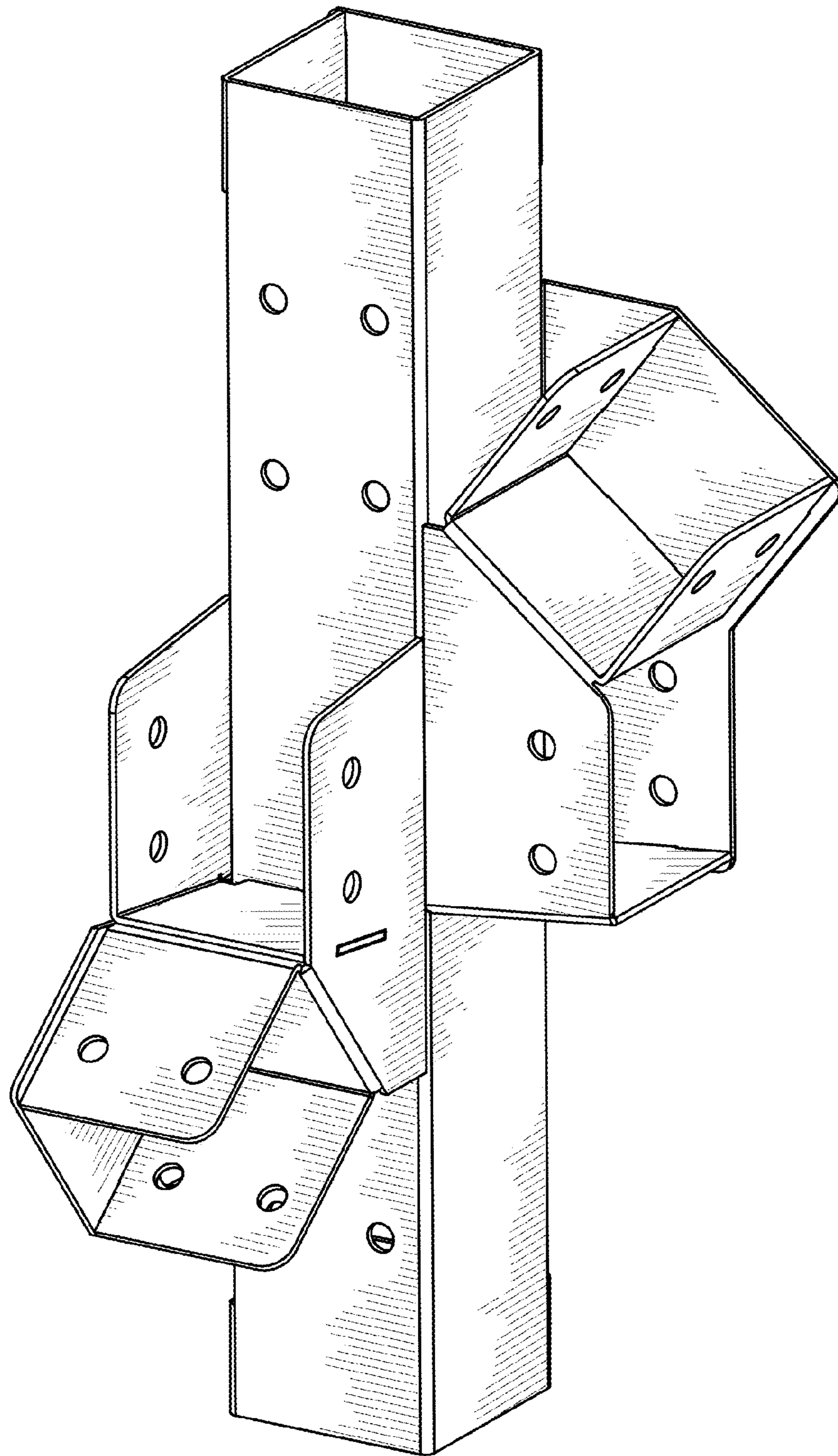


FIG. 2

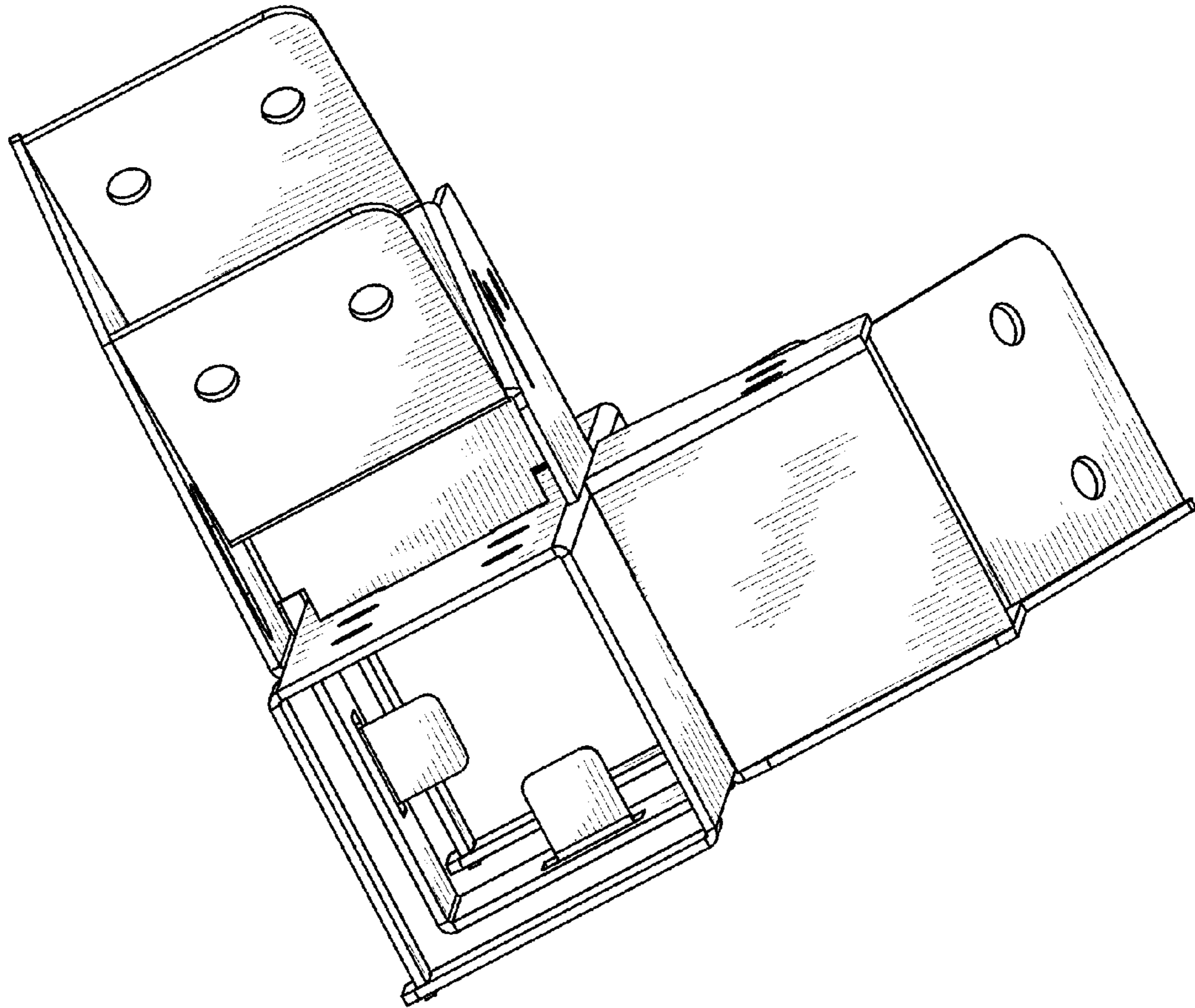


FIG. 3

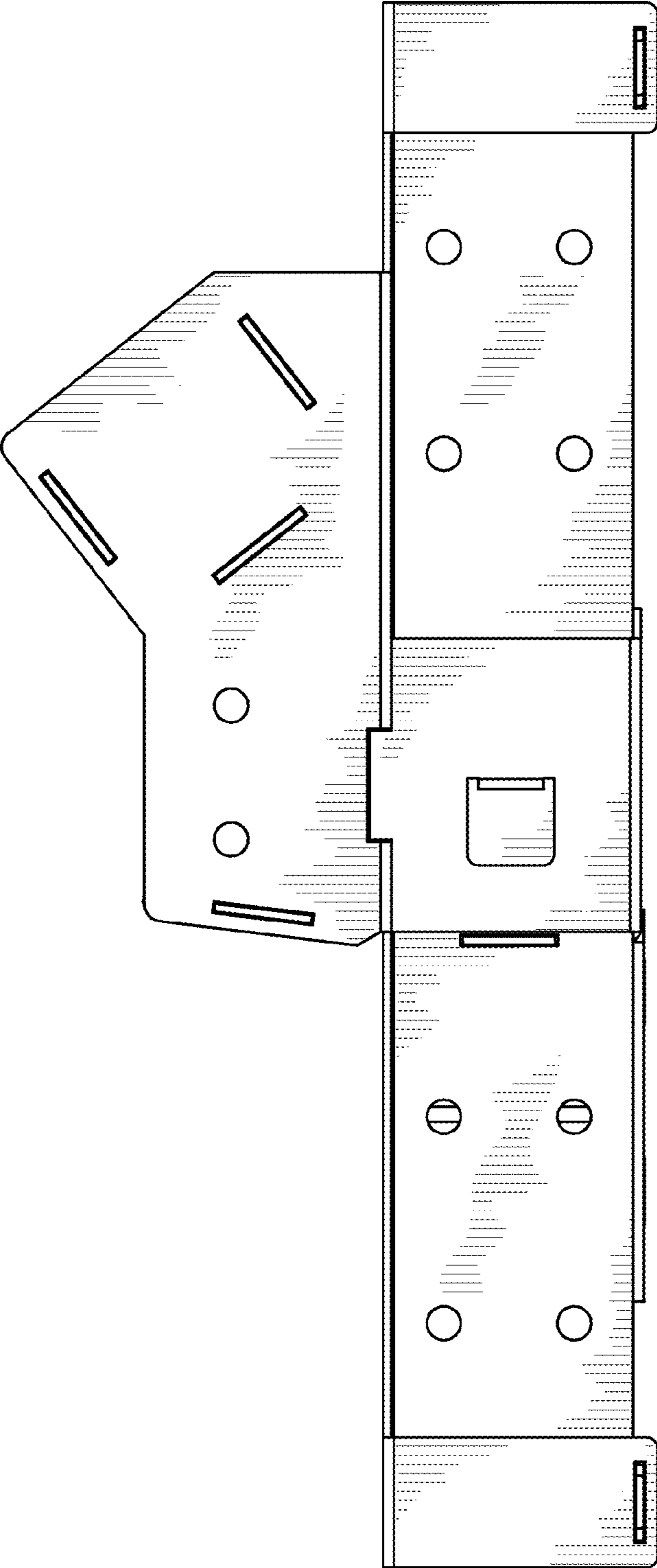


FIG. 4

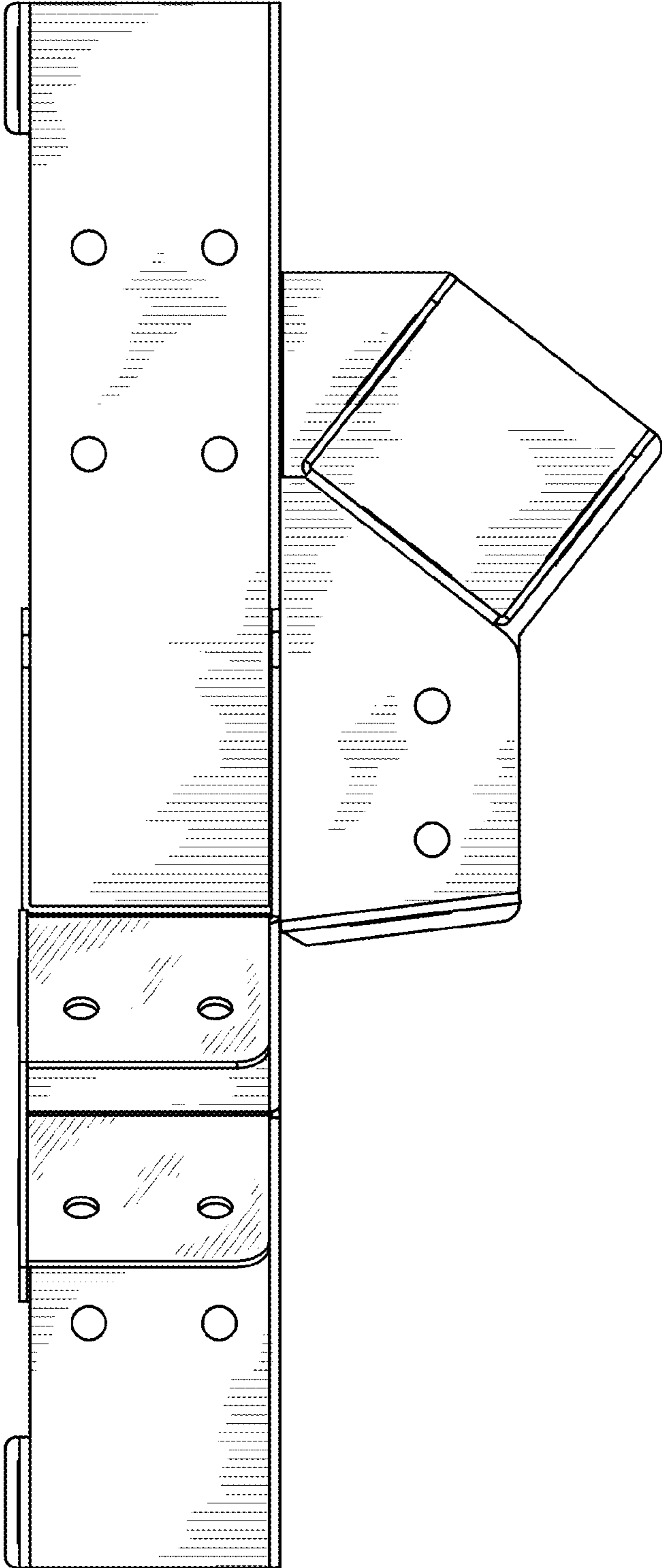


FIG. 5

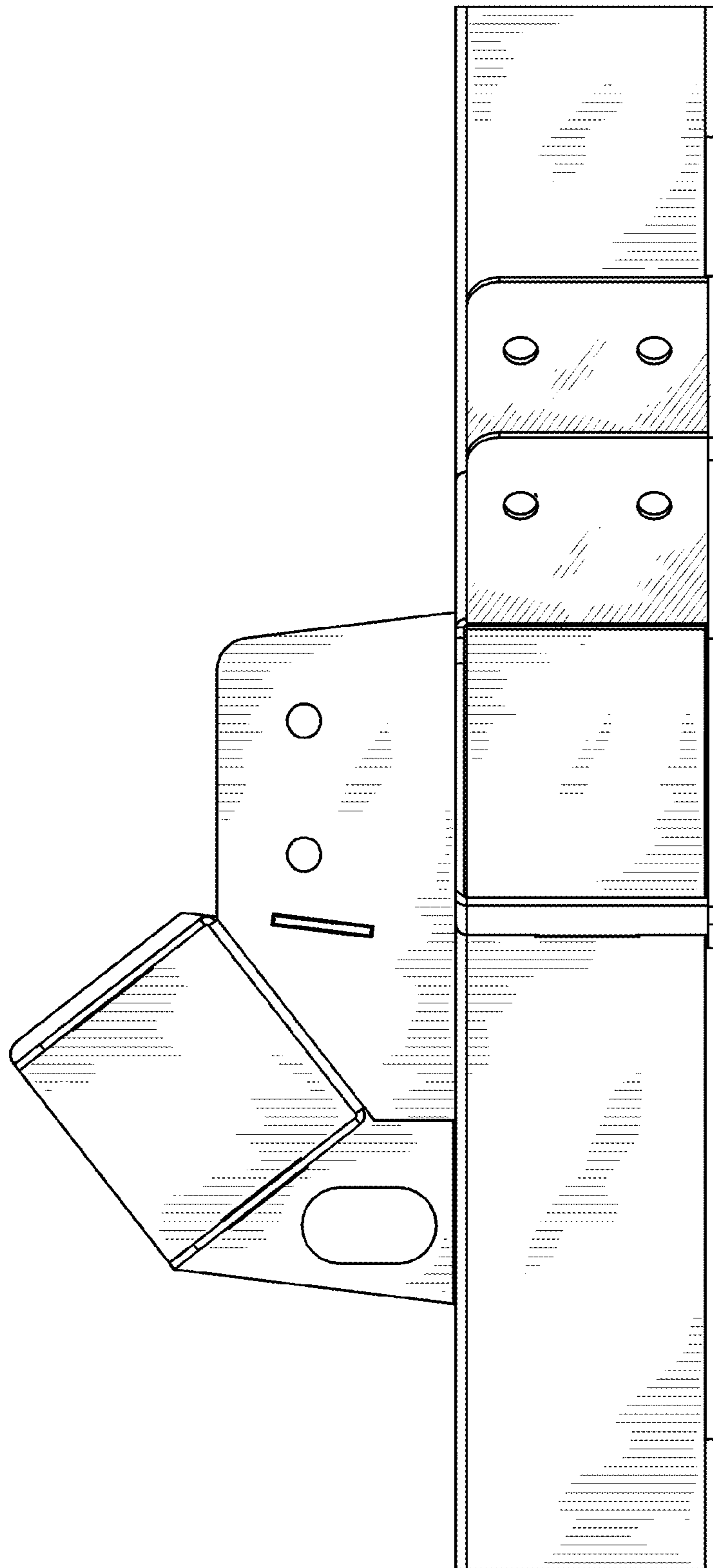


FIG. 6

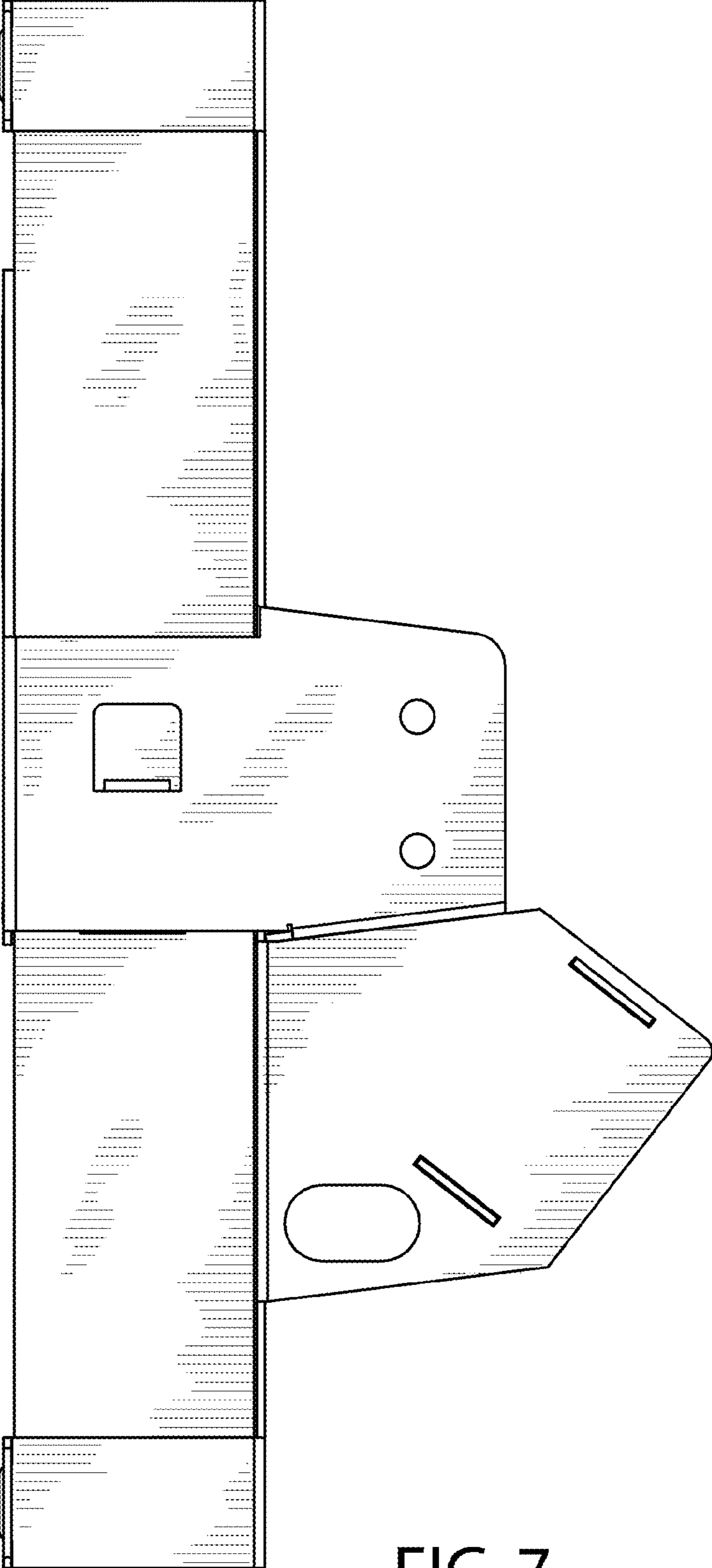


FIG. 7



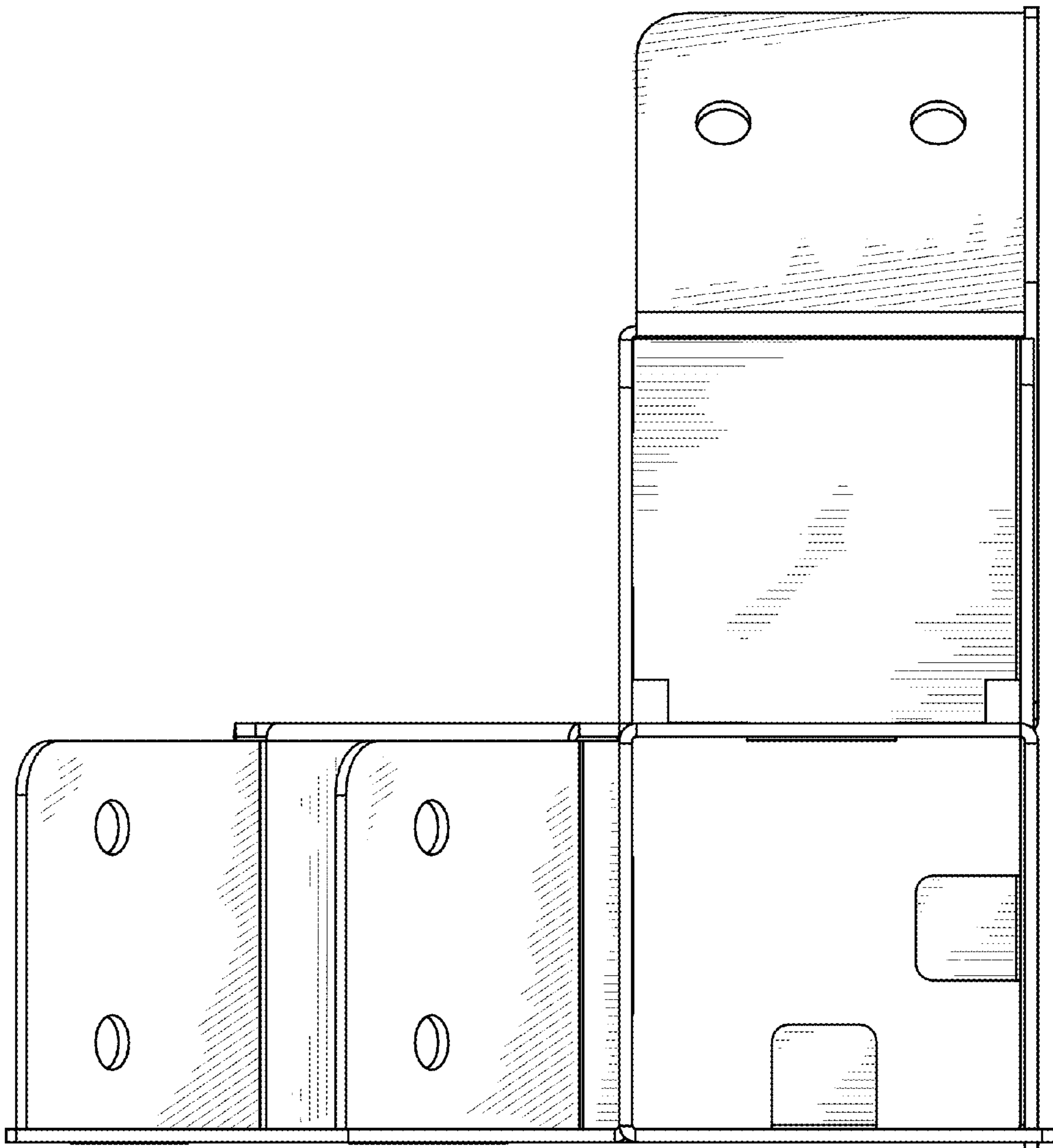


FIG. 8

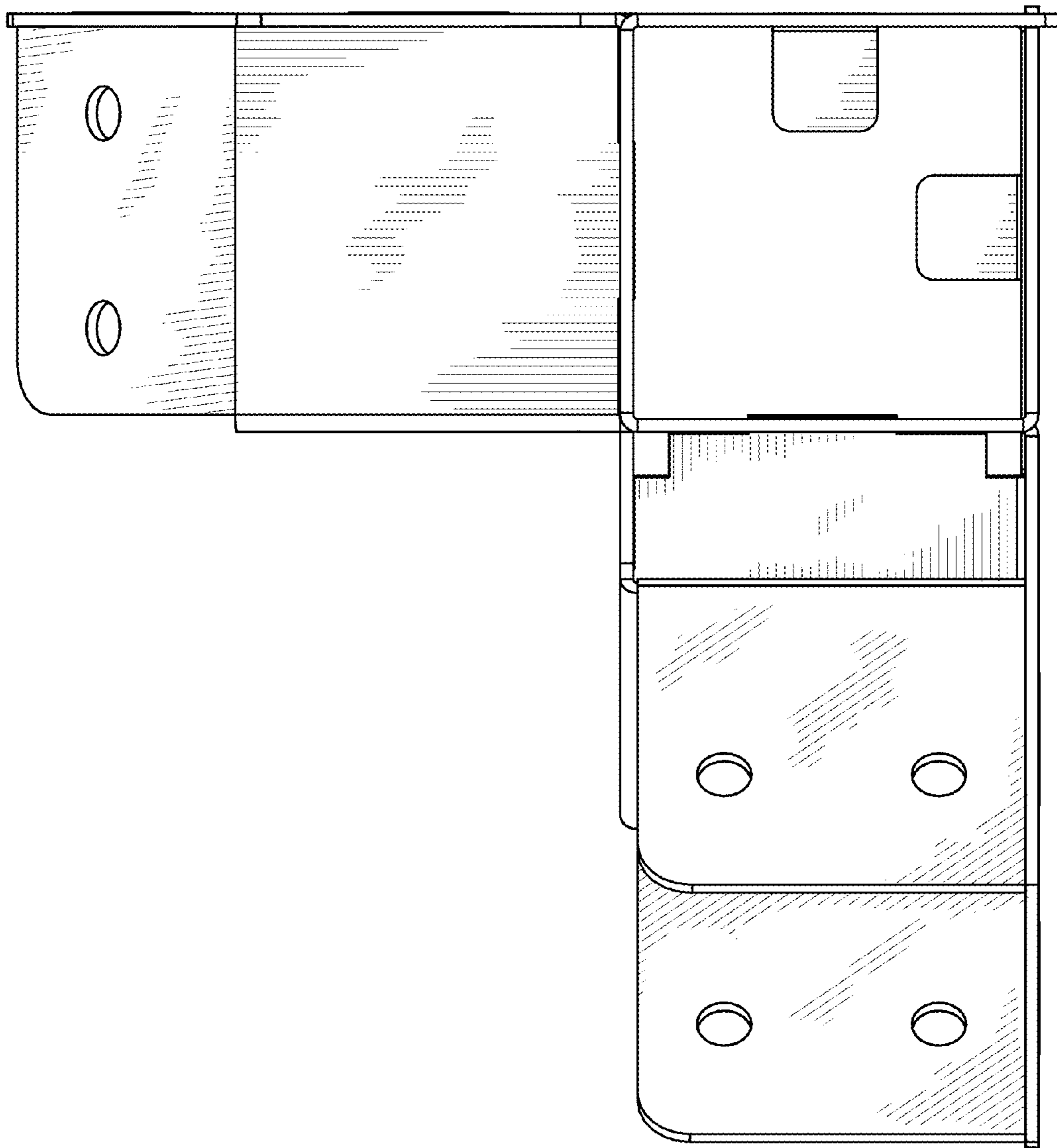


FIG. 9