



US00D756201S

(12) **United States Design Patent**
VanDeusen

(10) **Patent No.:** **US D756,201 S**
(45) **Date of Patent:** **** May 17, 2016**

- (54) **REMOVABLE SHIM**
- (71) Applicant: **Eaton Corporation**, Cleveland, OH
(US)
- (72) Inventor: **Brian Karl VanDeusen**, Augusta, MI
(US)
- (73) Assignee: **Eaton Corporation**, Cleveland, OH
(US)
- (**) Term: **14 Years**
- (21) Appl. No.: **29/507,008**
- (22) Filed: **Oct. 23, 2014**
- (51) **LOC (10) Cl.** **08-05**
- (52) **U.S. Cl.**
USPC **D8/354; D15/5**
- (58) **Field of Classification Search**
USPC D8/349, 354-355, 373, 380, 382-383,
D8/394, 396; D15/5
CPC B60G 2204/4402; F16B 43/005;
Y10T 403/7047; Y10T 74/2063
See application file for complete search history.

- (56) **References Cited**
U.S. PATENT DOCUMENTS
4,683,923 A * 8/1987 Harris B67D 7/50
141/392
D298,212 S * 10/1988 Gross D15/9.1
D313,739 S * 1/1991 Preston D8/354
D325,564 S * 4/1992 Lemke D13/154
D423,909 S * 5/2000 Hartin D8/349
6,415,755 B1 7/2002 McCarthy
D482,599 S * 11/2003 May D8/356
6,830,086 B2 * 12/2004 Smith B67D 7/50
141/392

- D508,841 S * 8/2005 Jordan, Jr. D8/395
- 7,055,655 B2 * 6/2006 Takizawa F16B 43/005
188/18 A
- 7,096,836 B2 8/2006 Curtis
- D563,770 S * 3/2008 Payne, Jr. D8/354
- D569,241 S * 5/2008 O'Neill D8/395
- 7,685,984 B2 3/2010 Hendriksma
- 8,534,250 B2 9/2013 Meldolesi
- 2002/0185622 A1 * 12/2002 Bruns B67D 7/50
251/90

* cited by examiner

Primary Examiner — Rosemary K Tarcza
Assistant Examiner — Nathaniel D Buckner
(74) *Attorney, Agent, or Firm* — Remarck Law Group PLC

(57) **CLAIM**
The ornamental design for a removable shim, as shown and described.

DESCRIPTION
FIG. 1 is a front perspective view of a first example of the removable shim showing the new design.
FIG. 2 is a top view of the first example the removable shim of FIG. 1.
FIG. 3 is a bottom view of the first example of the removable shim of FIG. 1.
FIG. 4 is a first side view of the first example of the removable shim of FIG. 1.
FIG. 5 is a second side view of the first example of the removable shim of FIG. 1.
FIG. 6 is a third side view of the first example of the removable shim of FIG. 1; and,
FIG. 7 is a fourth side view of the first example of the removable shim of FIG. 1.

1 Claim, 1 Drawing Sheet

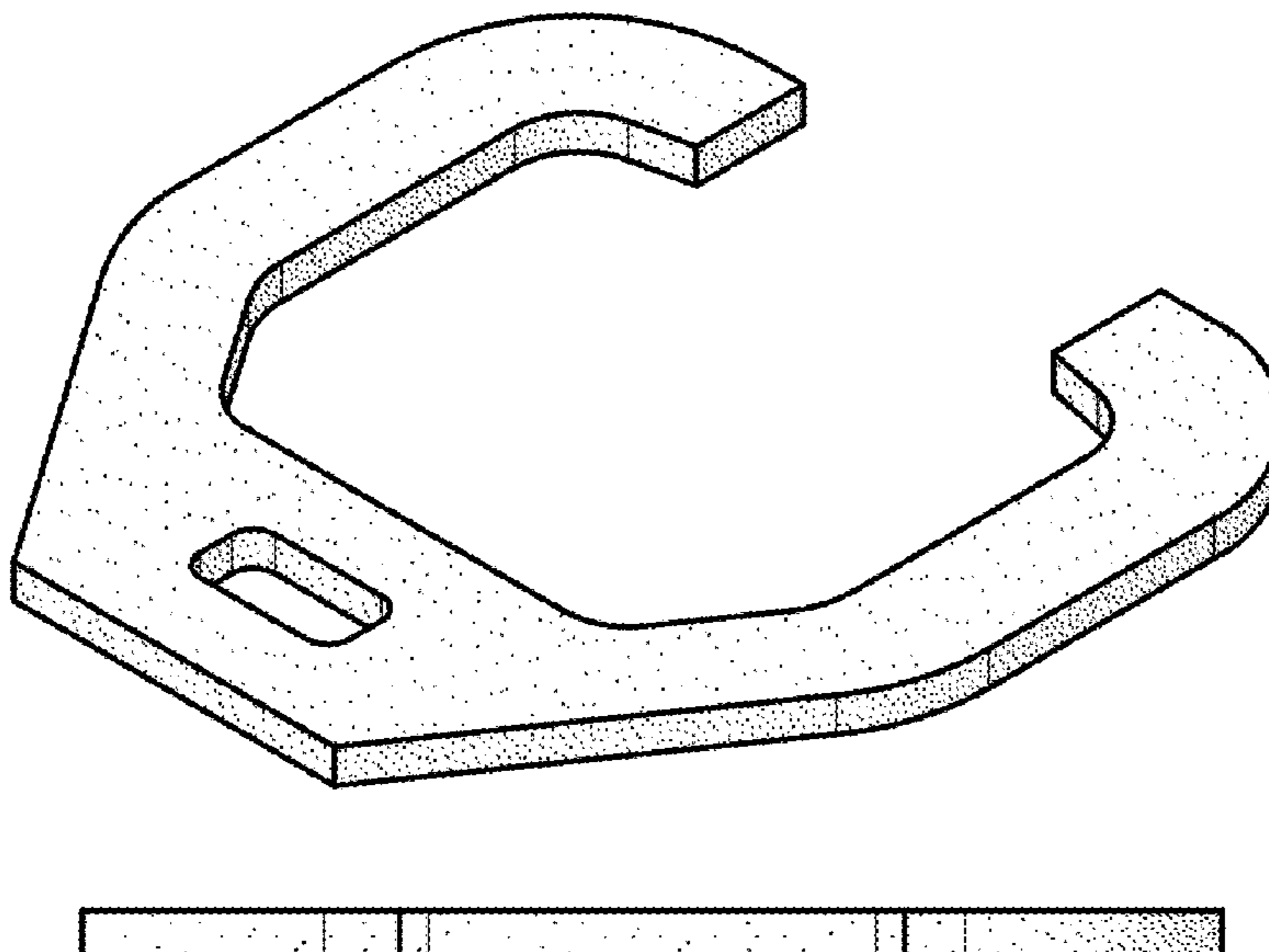


FIG.1

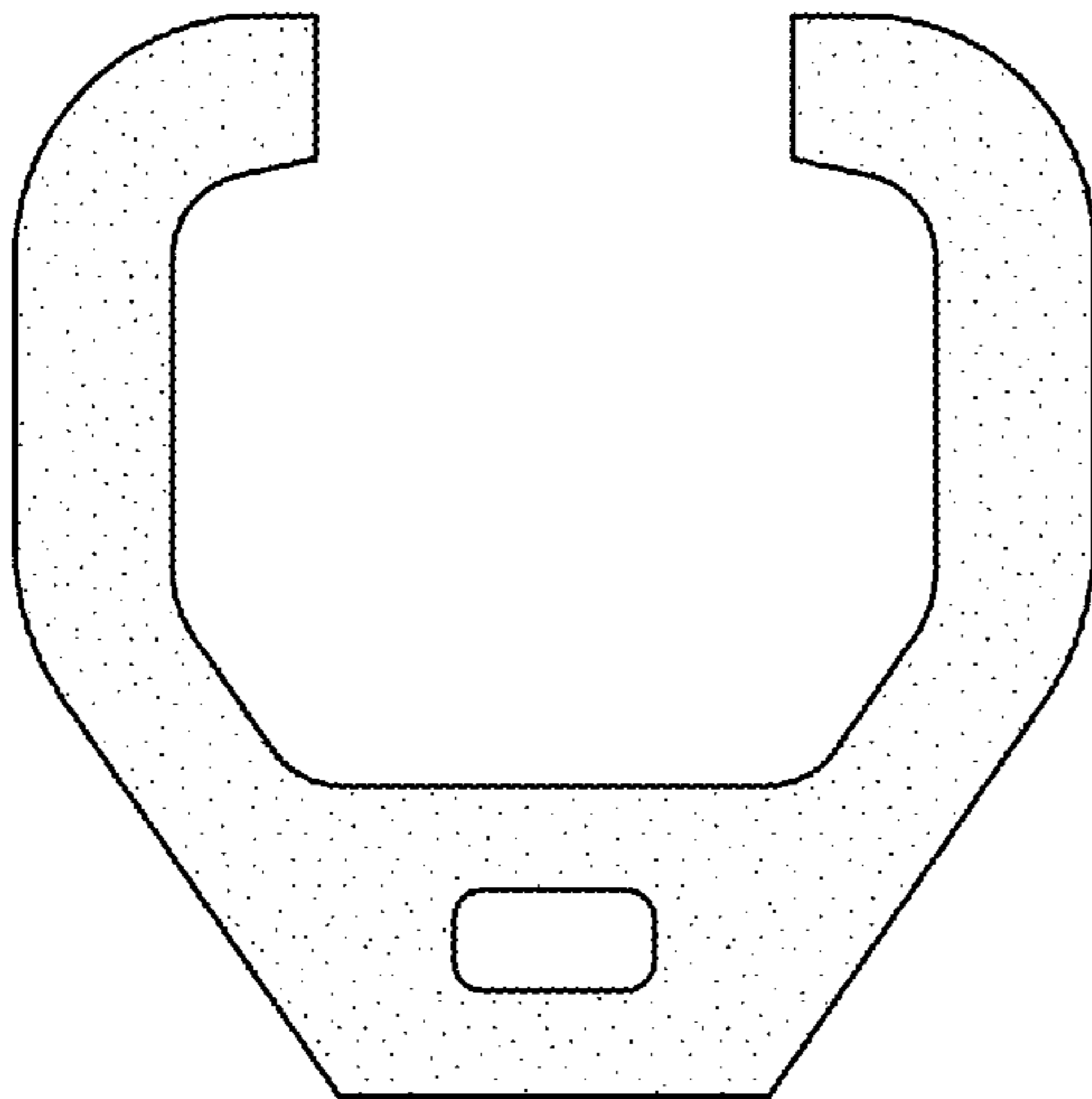
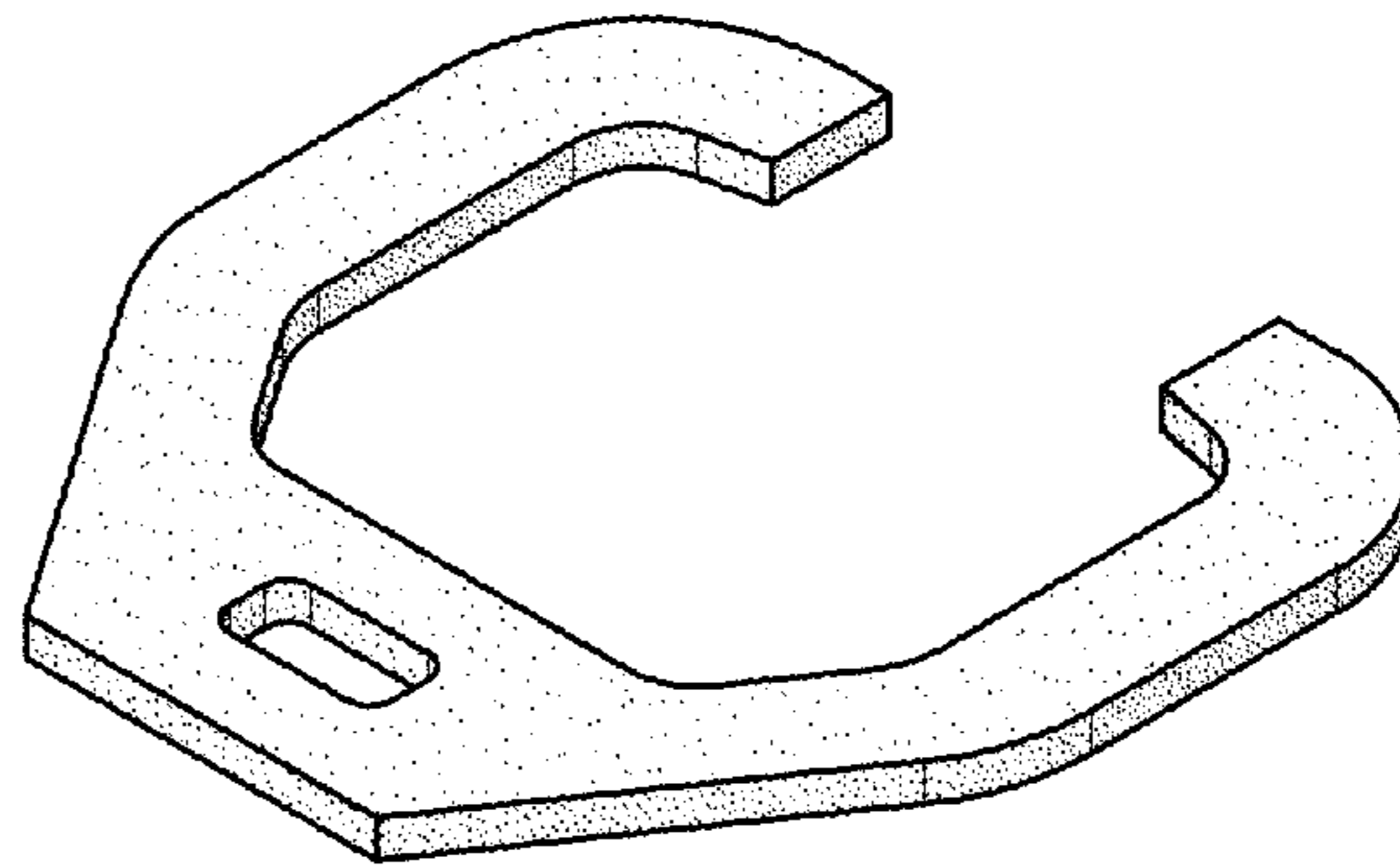


FIG.2

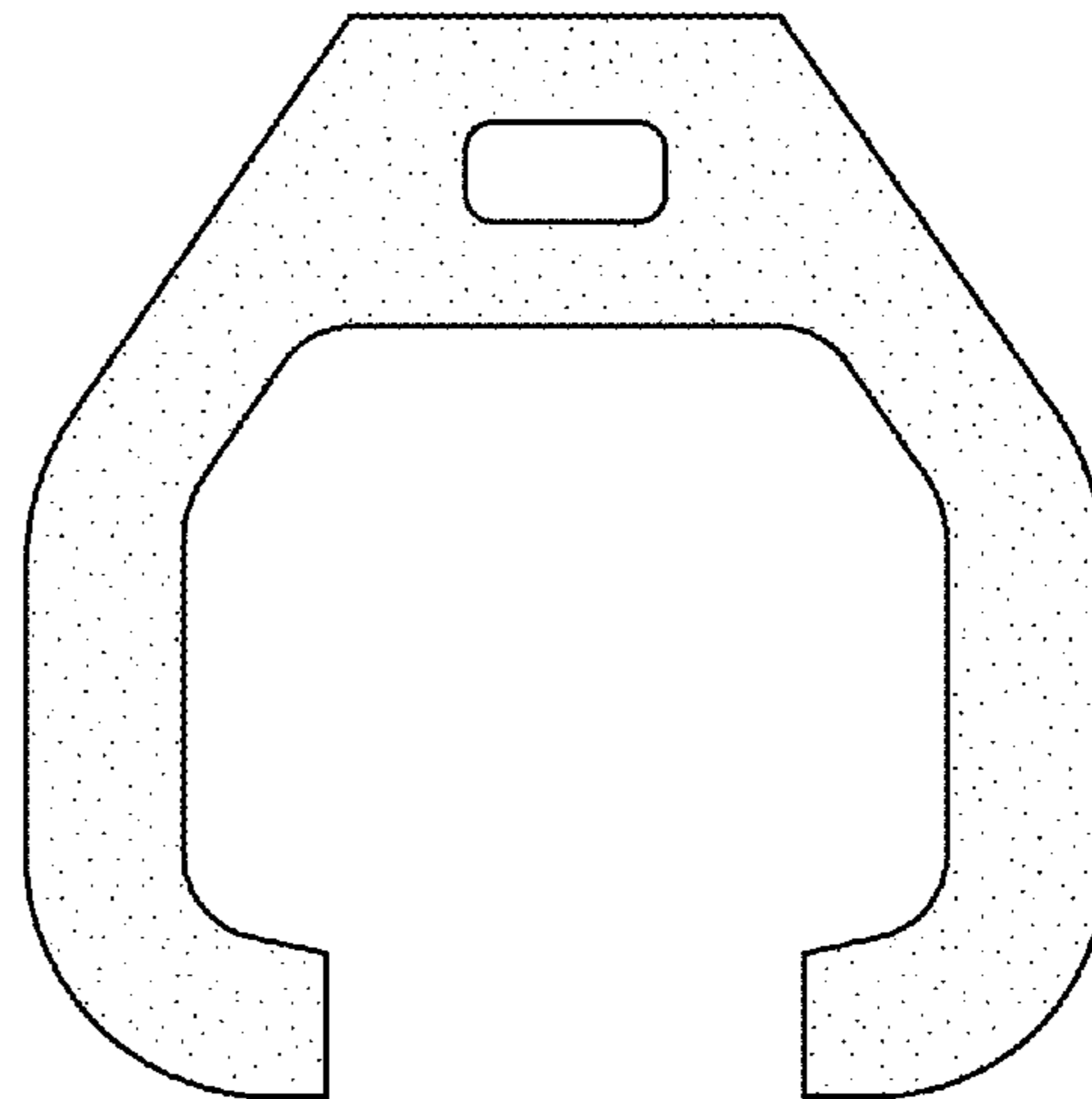


FIG.3



FIG.4



FIG.5

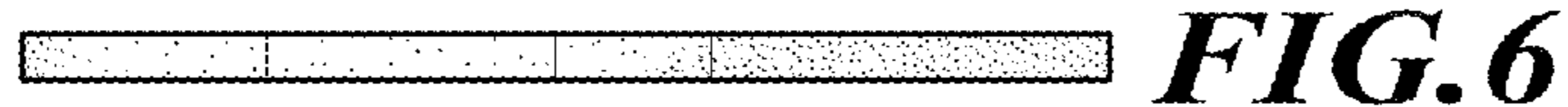


FIG.6

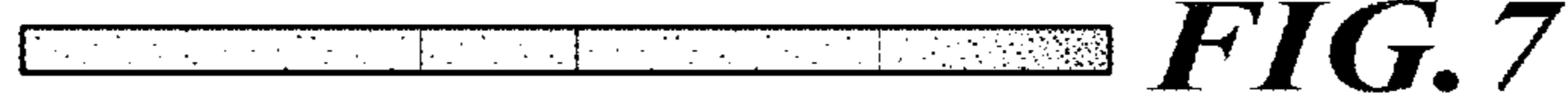


FIG.7