



US00D756200S

(12) **United States Design Patent**
McDonald

(10) **Patent No.:** **US D756,200 S**
(45) **Date of Patent:** **** May 17, 2016**

(54) **REBAR CAP**

(71) Applicant: **Curt McDonald**, Englewood, FL (US)

(72) Inventor: **Curt McDonald**, Englewood, FL (US)

(**) Term: **14 Years**

(21) Appl. No.: **29/497,498**

(22) Filed: **Jul. 25, 2014**

Related U.S. Application Data

(63) Continuation-in-part of application No. 14/089,846, filed on Nov. 26, 2013, now Pat. No. 8,973,323.

(51) **LOC (10) Cl.** **08-05**

(52) **U.S. Cl.**

USPC **D8/354**

(58) **Field of Classification Search**

USPC D8/307, 310, 313, 316, 317, 321, 322, D8/349, 354, 355, 356, 380; D13/155, D13/102, 118, 154, 184, 199; D21/484, D21/500, 504; D25/119, 123, 124, 125
CPC F16L 33/213; A47B 95/02; B43M 15/00; F16B 21/06; F16B 35/06; Y10T 16/462
See application file for complete search history.

(56) **References Cited**

U.S. PATENT DOCUMENTS

- 646,738 A * 4/1900 Ingalls F16B 21/06 24/107
- 2,152,847 A * 4/1939 Wolk B65D 73/0042 206/338
- 2,712,261 A * 7/1955 Anderson B43M 15/00 24/706.9
- 2,822,852 A * 2/1958 Bailey F16L 33/213 29/237
- 3,665,129 A * 5/1972 Lancaster H01R 24/58 200/51.07
- 3,680,018 A * 7/1972 Elberger H01F 27/324 336/100
- 4,202,378 A 5/1980 Bush et al.
- 4,753,615 A * 6/1988 Weidler H01R 25/142

- 4,962,582 A * 10/1990 Puls F16L 33/213 439/775 29/469.5
- D327,407 S * 6/1992 Clayton D8/310
- 5,174,775 A * 12/1992 Birch H01R 13/703 200/51.1
- 5,381,636 A 1/1995 Kassardjian et al.
- 5,568,708 A 10/1996 Kassardjian et al.
- 5,729,941 A 3/1998 Kassardjian et al.
- D405,349 S 2/1999 Orth
- D408,268 S 4/1999 Dunn
- 5,946,871 A 9/1999 Kassardjian et al.
- 6,085,478 A 7/2000 Workman
- D434,962 S * 12/2000 Short D8/310
- D450,442 S * 11/2001 Leonard D3/18
- 6,857,235 B2 2/2005 Niday et al.
- 7,413,155 B2 * 8/2008 Seil B60R 11/00 248/309.1
- 7,472,522 B2 1/2009 Yang
- 7,716,898 B1 5/2010 Dunn
- D654,384 S 2/2012 McDonald
- 8,132,295 B1 * 3/2012 Otis A47B 95/02 16/412
- 8,141,309 B2 3/2012 Kubicek
- D679,982 S * 4/2013 Ramsland D8/307

(Continued)

Primary Examiner — Rosemary K Tarcza

Assistant Examiner — Nathaniel D Buckner

(74) *Attorney, Agent, or Firm* — Dickinson Wright PLLC

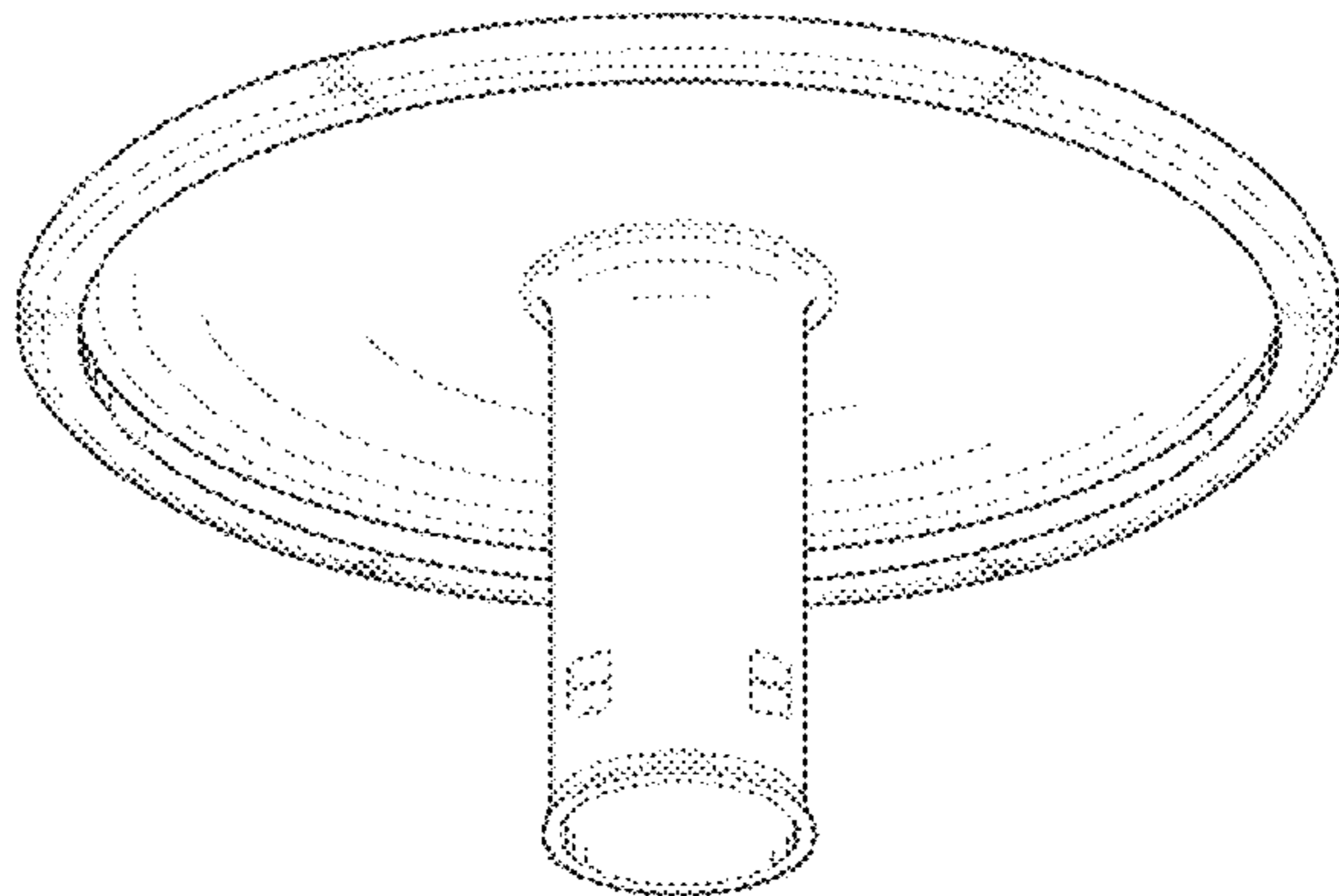
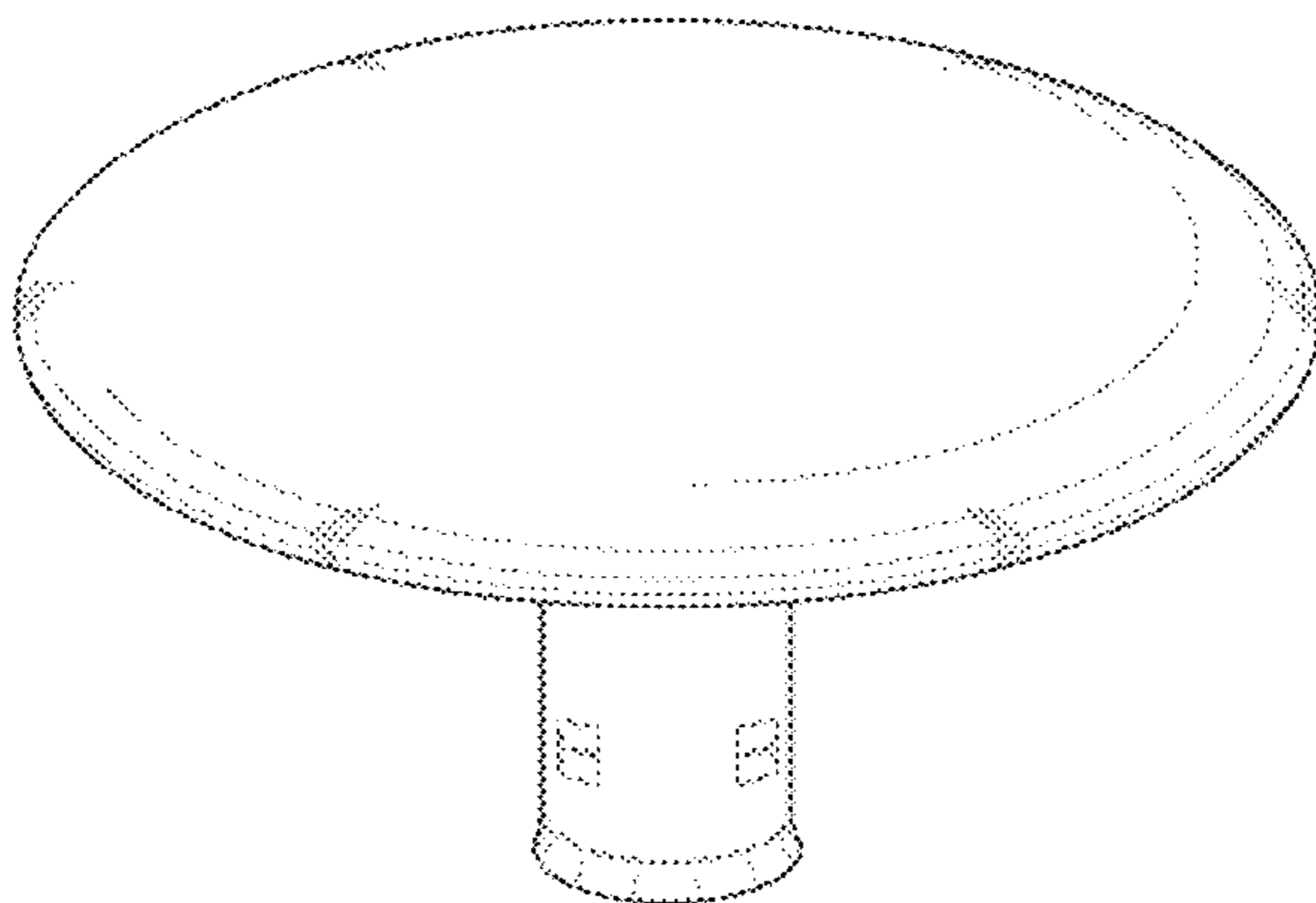
(57) **CLAIM**

The ornamental design for a rebar cap, as shown and described.

DESCRIPTION

FIG. 1 is a perspective view of the top of the rebar cap; FIG. 2 is a perspective view of the bottom of the rebar cap; FIG. 3 is a side view of the rebar cap; FIG. 4 is a top view of the rebar cap; and, FIG. 5 is a bottom view of the rebar cap. The broken lines shown in the drawings are included for the purpose of illustrating portions of the article that form no part of the claimed design.

1 Claim, 3 Drawing Sheets



US D756,200 S

Page 2

(56)

References Cited

U.S. PATENT DOCUMENTS

D718,113 S * 11/2014 Di Nicola Ciaranca D8/310
8,894,337 B2 * 11/2014 Bourget F16B 37/14
411/373

D726,365 S * 4/2015 Weigensberg D27/101
2009/0107067 A1 4/2009 Beery
2009/0313927 A1 12/2009 Myers, Jr. et al.
2012/0291381 A1 11/2012 Kassardjian et al.

* cited by examiner

FIG. 1

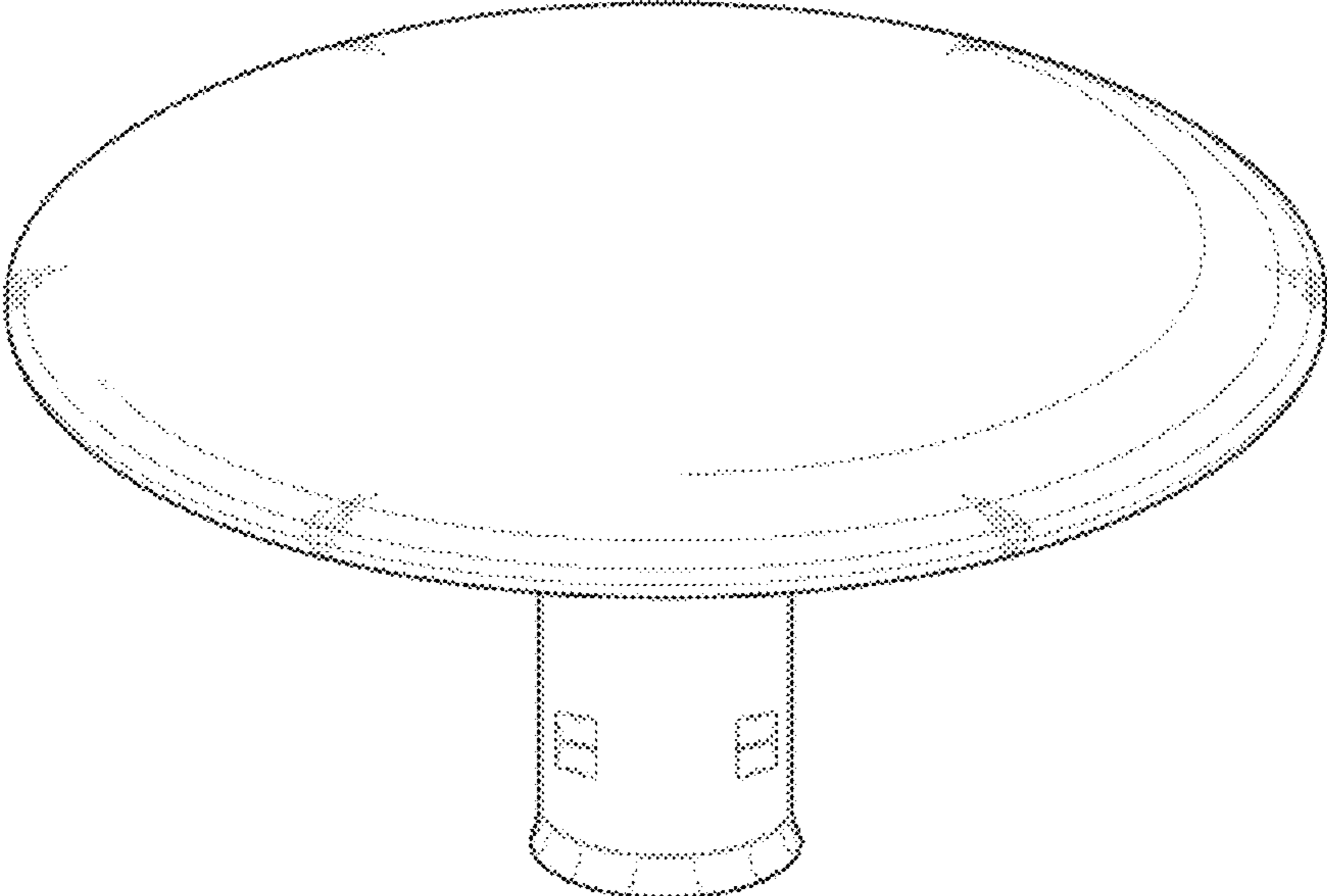


FIG. 2

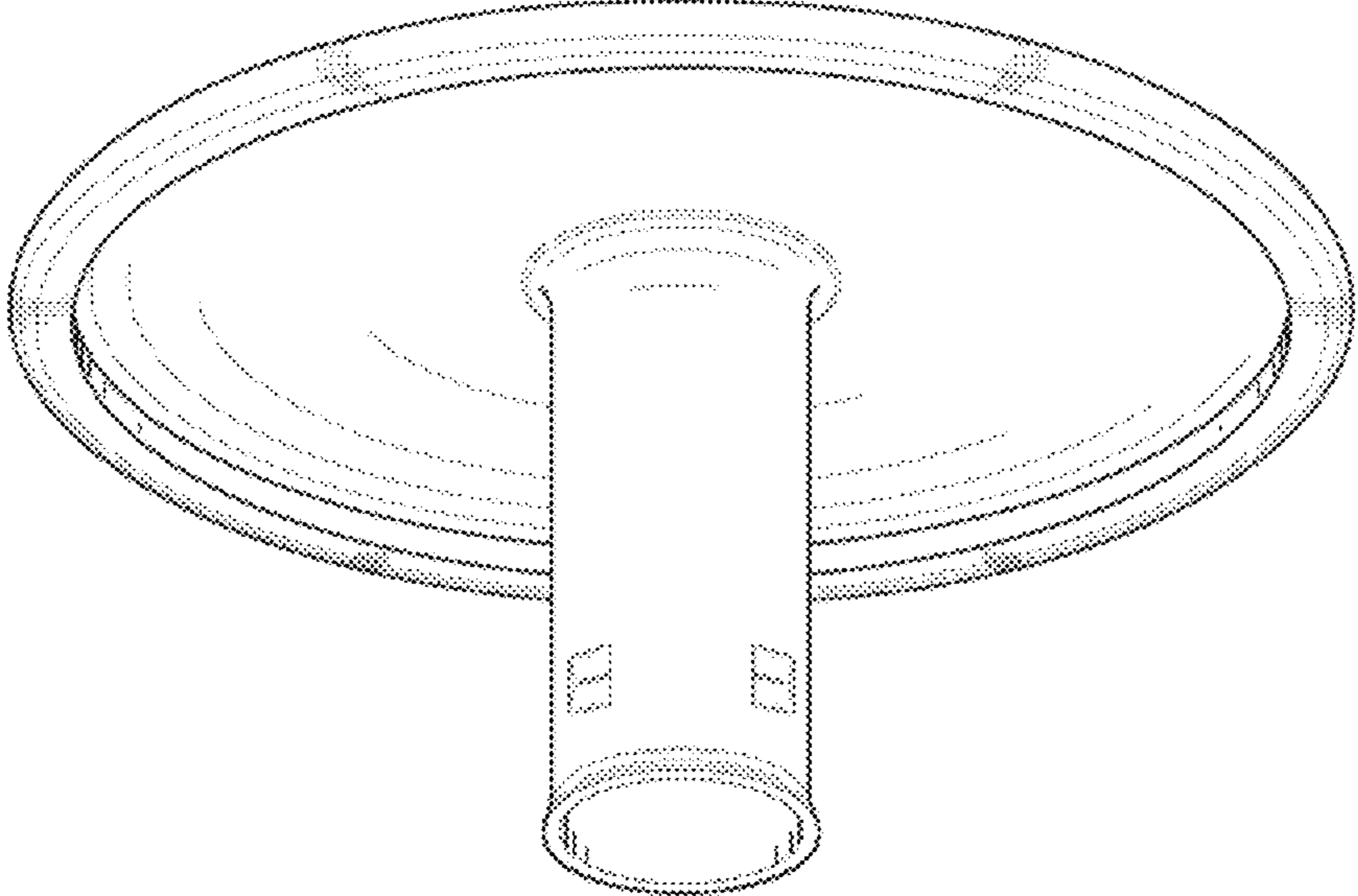


FIG. 3

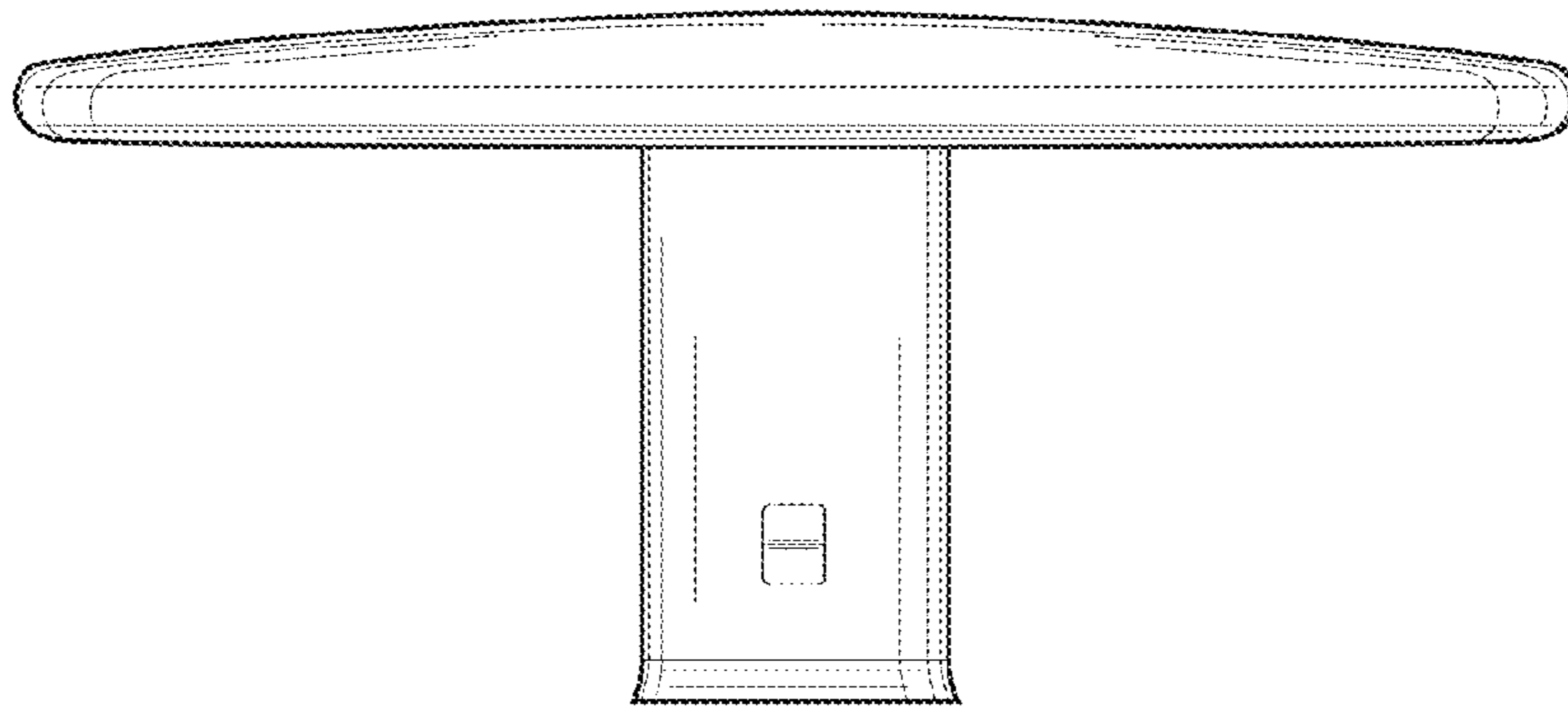


FIG. 4

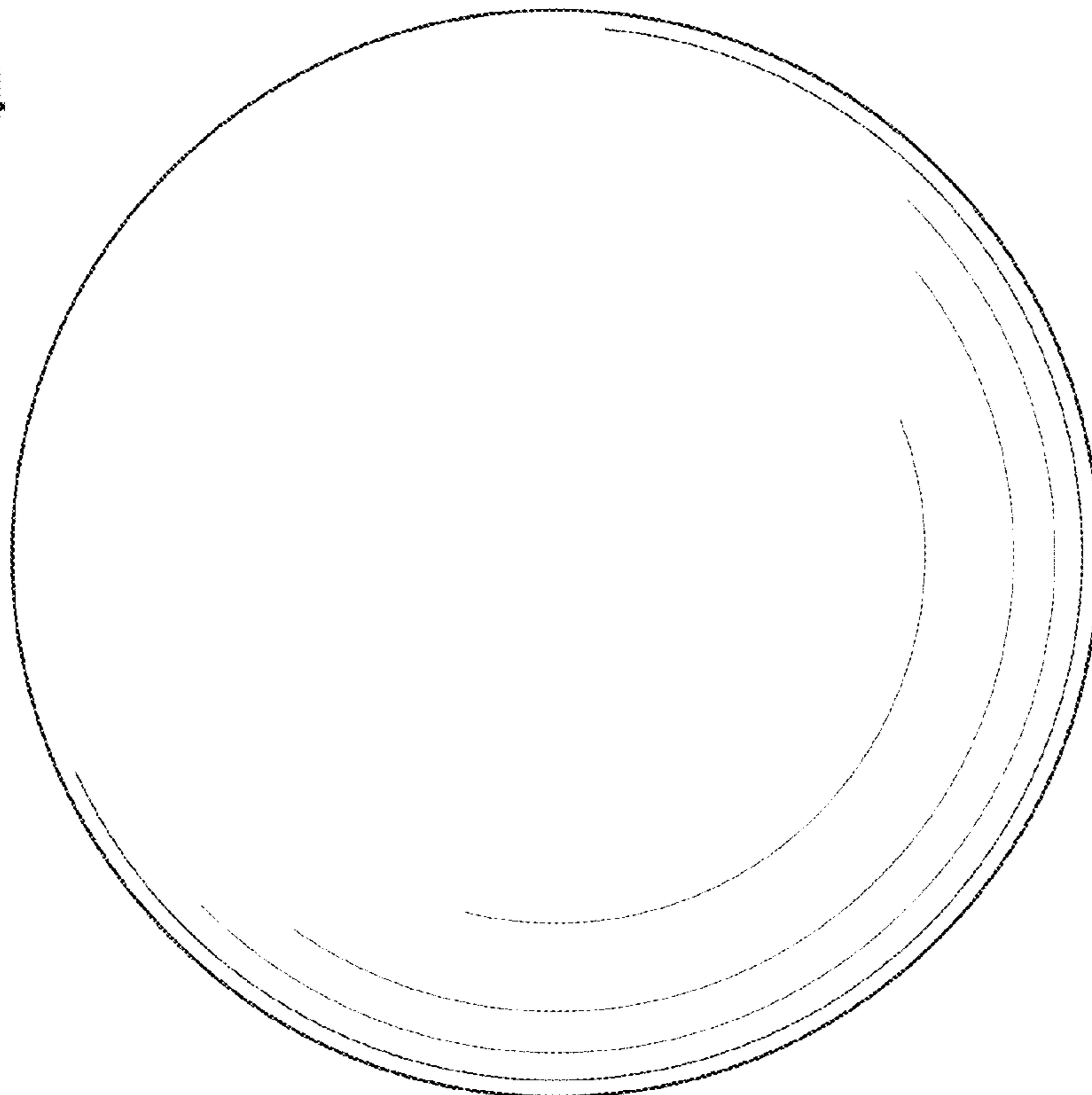


FIG. 5

