



US00D756199S

(12) **United States Design Patent**  
**Carrubba**

(10) **Patent No.:** **US D756,199 S**  
(45) **Date of Patent:** **\*\* May 17, 2016**

(54) **RAILING CONNECTOR**

(71) Applicant: **AS&C-USA, INC.**, White Plains, NY  
(US)

(72) Inventor: **Vincent Carrubba**, Baldwin, NY (US)

(73) Assignee: **AS&C—USA, INC.**, White Plains, NY  
(US)

(\*\*) Term: **14 Years**

(21) Appl. No.: **29/485,621**

(22) Filed: **Mar. 20, 2014**

(51) **LOC (10) Cl.** ..... **08-05**

(52) **U.S. Cl.**  
USPC ..... **D8/354**

(58) **Field of Classification Search**  
USPC ..... D8/349, 354  
CPC ..... A47F 5/00; A47H 1/10; A47G 29/00;  
A47G 29/08; A47B 97/00  
See application file for complete search history.

(56) **References Cited**

**U.S. PATENT DOCUMENTS**

D472,793 S *	4/2003	Callahan	.....	D8/349
7,044,448 B1	5/2006	Jones	.....	
D523,325 S *	6/2006	Ignagni	.....	D8/354
D532,679 S *	11/2006	Ignagni	.....	D8/354
D547,637 S *	7/2007	Blacker	.....	D8/354
D549,555 S *	8/2007	Ignagni	.....	D8/354

7,748,686 B1 7/2010 Harder  
7,762,533 B2 7/2010 DeRogatis et al.  
8,083,214 B2 12/2011 DeRogatis et al.

\* cited by examiner

*Primary Examiner* — Holly Baynham

(74) *Attorney, Agent, or Firm* — Kramer & Amado P.C.

(57) **CLAIM**

The ornamental design for the railing connector, as shown and described.

**DESCRIPTION**

FIG. 1 is a top perspective view of the railing connector of the present invention.

FIG. 2 is a bottom perspective view of the railing connector depicted in FIG. 1.

FIG. 3 is a top plan view of the railing connector depicted in FIG. 1.

FIG. 4 is a bottom plan view of the railing connector depicted in FIG. 1.

FIG. 5 is a right side plan view of the railing connector depicted in FIG. 1, where the left side plan view is a mirror image of the right side plan view.

FIG. 6 is a front plan view of the railing connector depicted in FIG. 1; and,

FIG. 7 is a rear side plan view of the railing connector depicted in FIG. 1.

**1 Claim, 2 Drawing Sheets**

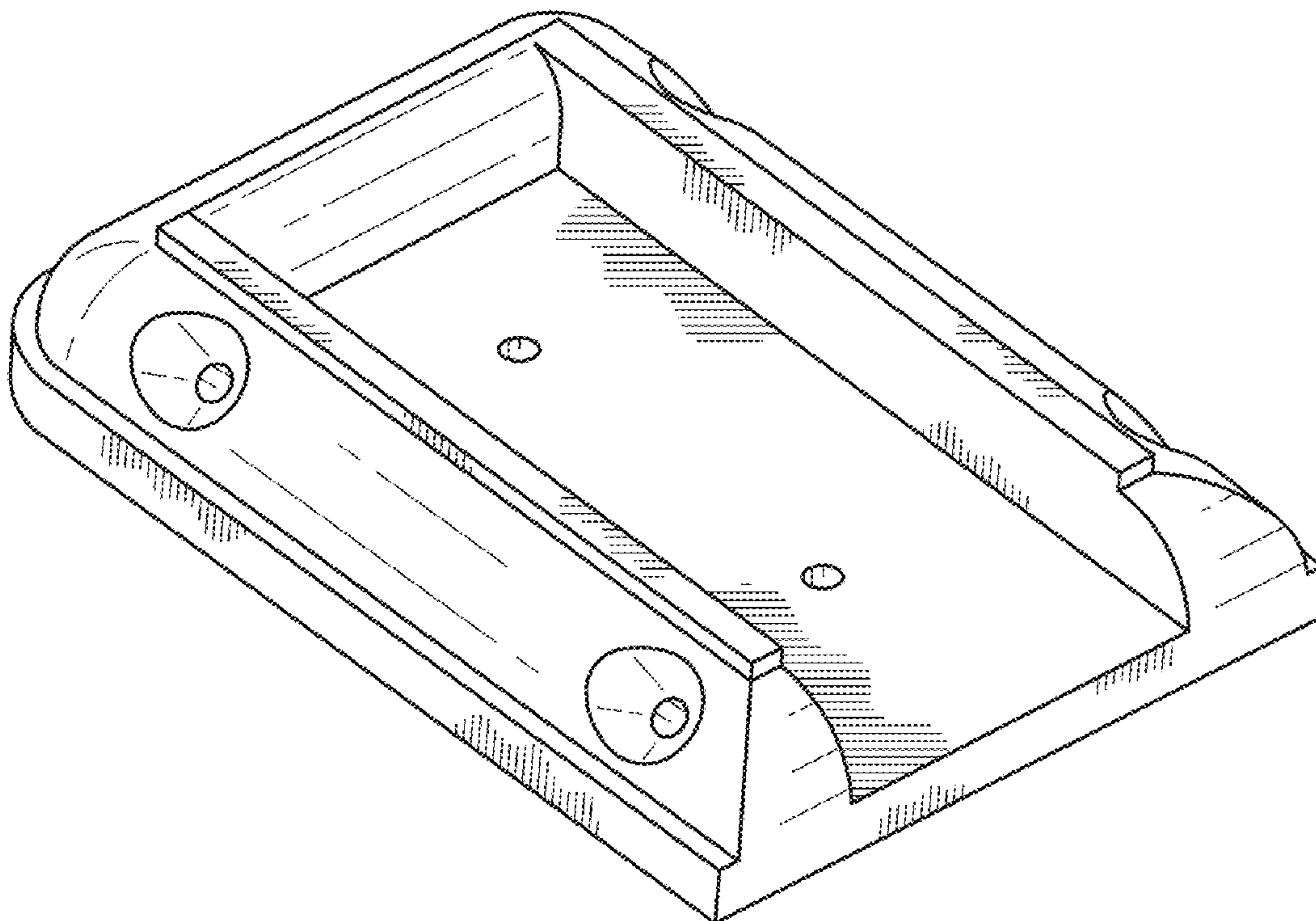


FIG. 1

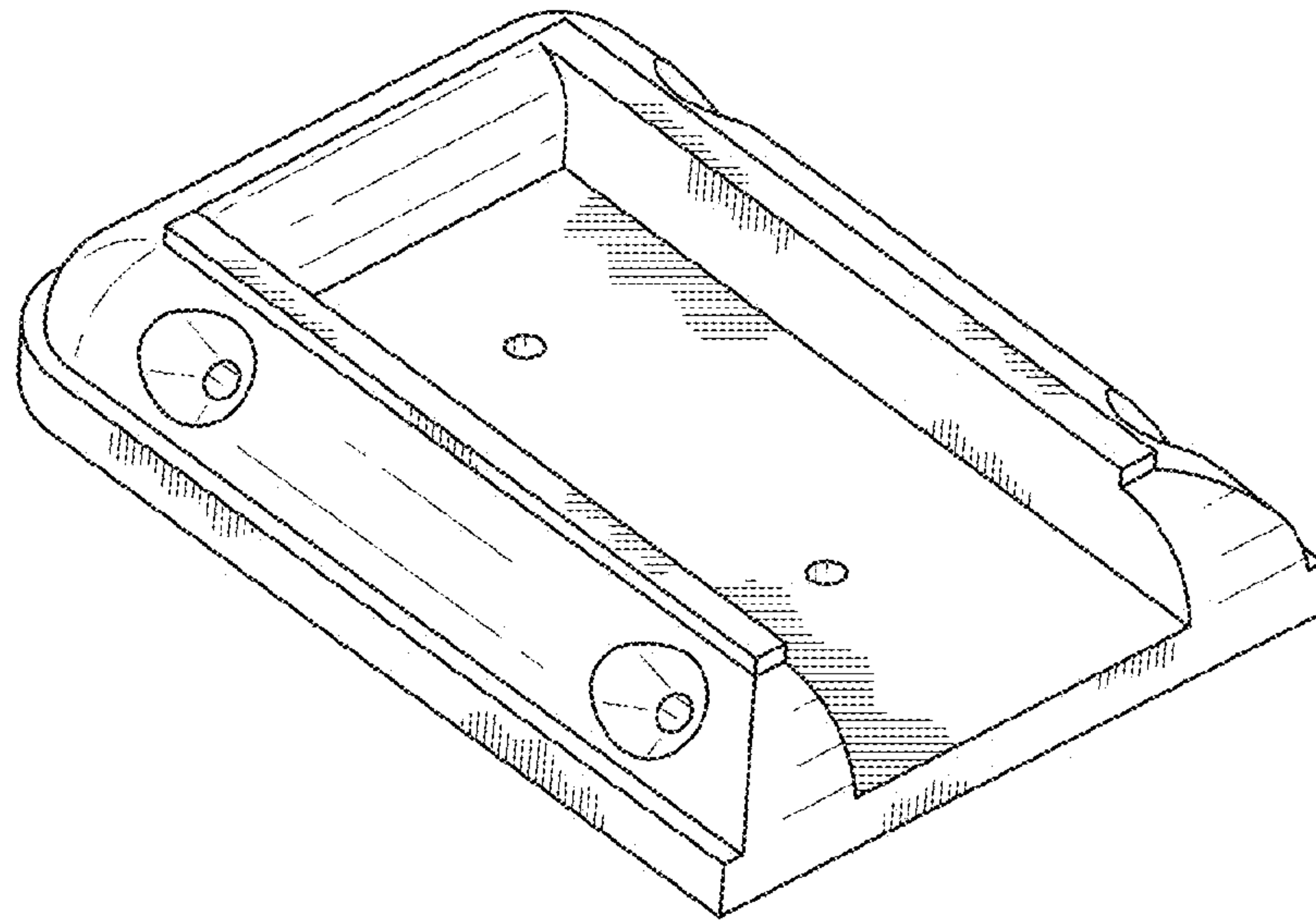


FIG. 2

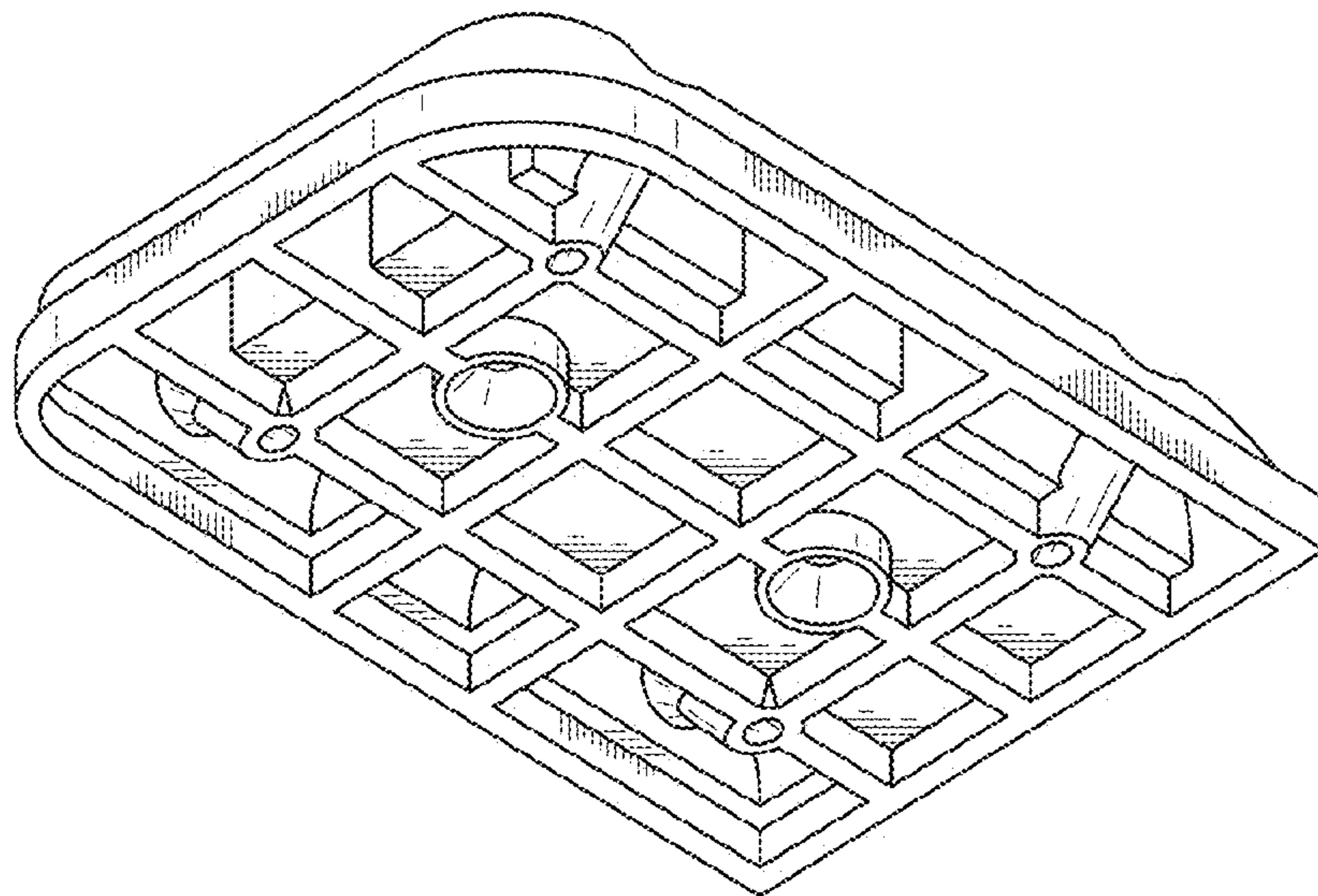


FIG. 3

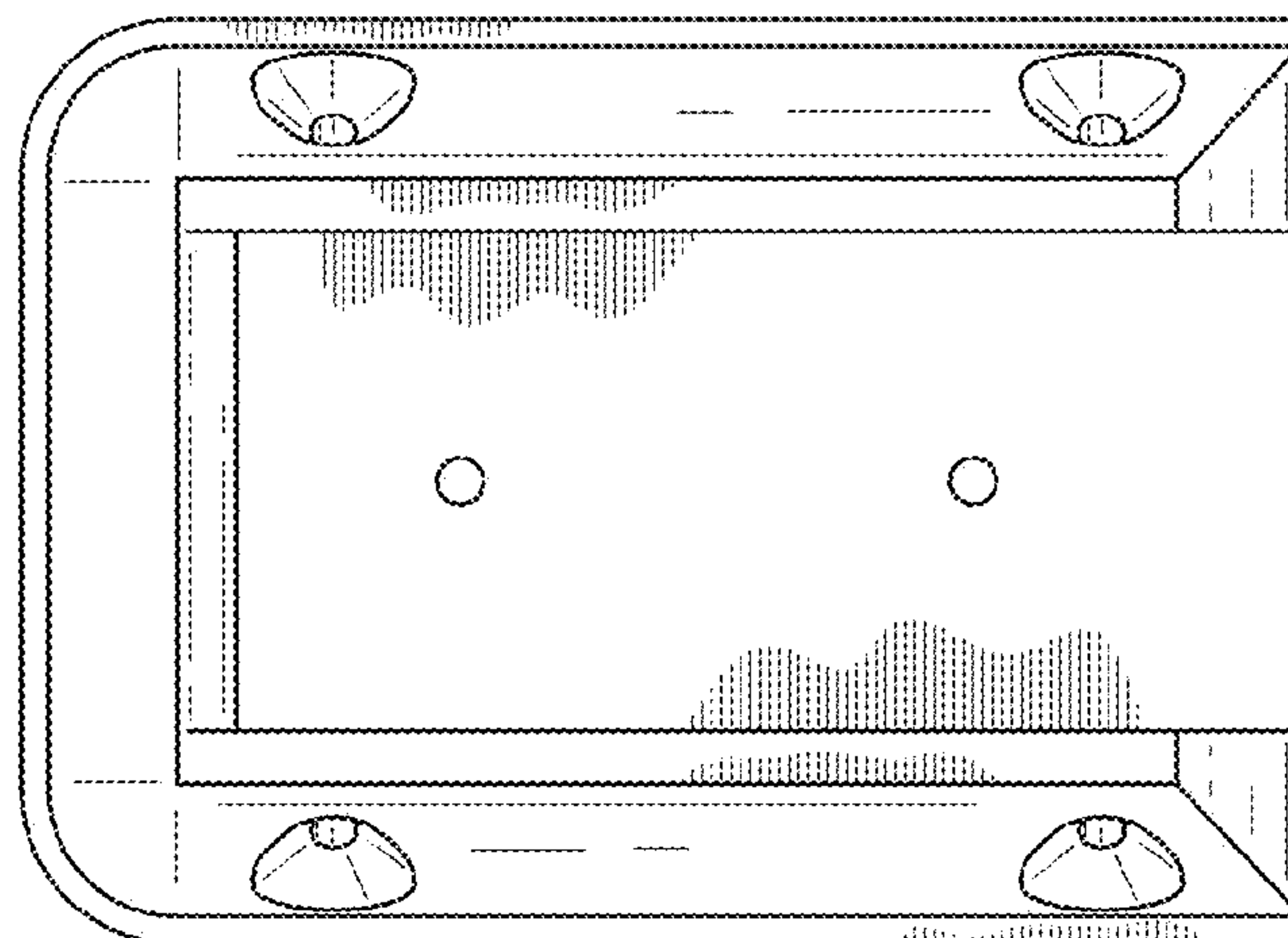


FIG. 4

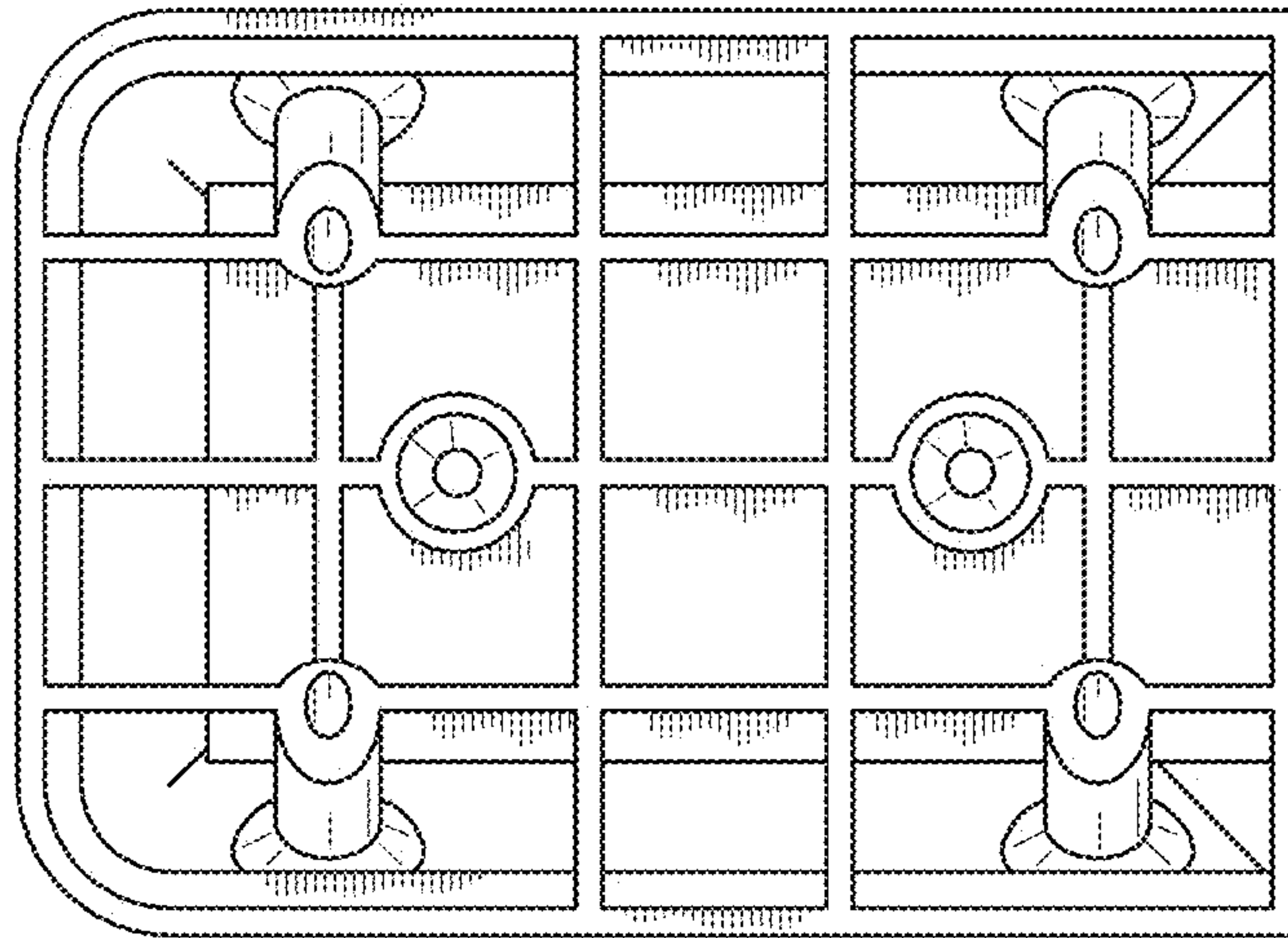


FIG. 5

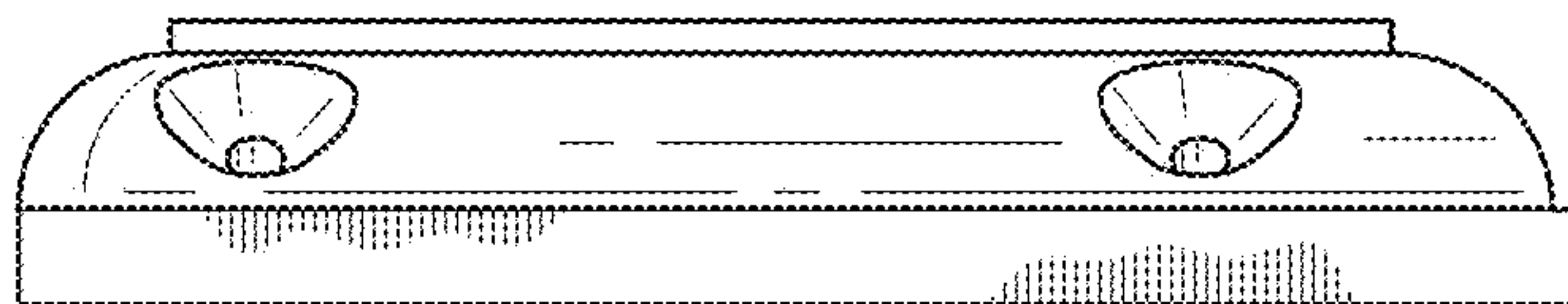


FIG. 6

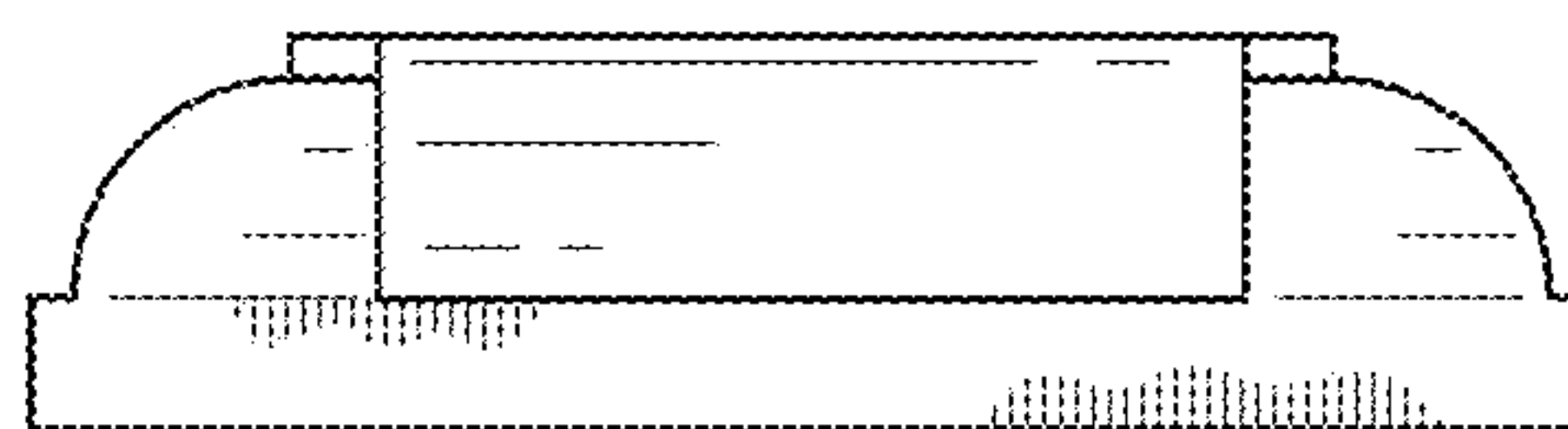


FIG. 7

