



US00D756194S

(12) **United States Design Patent**
Brown et al.

(10) **Patent No.:** **US D756,194 S**
(45) **Date of Patent:** **** May 17, 2016**

(54) **DOOR HANDLE**

292/31; Y10S 292/23; Y10S 292/53; Y10S
292/30; E05B 85/10

(71) Applicant: **KABA ILCO CORP**, Rocky Mount, NC
(US)

See application file for complete search history.

(72) Inventors: **Jeff Brown**, Murphy, NC (US); **Didier
Kaczmarek**, Rocky Mount, NC (US)

(56) **References Cited**

(73) Assignee: **KABA ILCO CORP**, Rocky Mount, NC
(US)

U.S. PATENT DOCUMENTS

(**) Term: **14 Years**

(21) Appl. No.: **29/516,824**

(22) Filed: **Feb. 6, 2015**

(51) **LOC (10) CL.** **08-06**

(52) **U.S. CL.**
USPC **D8/308**

(58) **Field of Classification Search**

USPC D8/300–302, 306–308, DIG. 10;
D23/250, 252; 292/336.3, DIG. 27;
74/523, 543; 70/91, 192, 201, 206,
70/207, 209, 210, 215; 16/110.1, 412,
16/416, DIG. 30
CPC . Y10T 292/57; Y10T 16/44; Y10T 74/20732;
Y10T 16/458; Y10T 70/5765; Y10T 70/5155;
Y10T 70/5832; Y10T 70/5889; Y10T 16/469;
Y10T 70/5757; Y10T 292/03; Y10T
74/20396; Y10T 16/4628; Y10T 74/20864;
Y10T 74/2042; Y10T 16/459; Y10T
74/20828; Y10T 292/0971; Y10T 292/0994;
Y10T 292/0974; Y10T 74/20582; Y10T
16/509; Y10T 292/108; Y10T 292/1059;
Y10T 292/097; Y10T 74/2066; Y10T
292/1015; Y10T 292/0839; Y10T 292/102;
Y10T 70/5743; Y10T 292/1022; Y10T
16/462; Y10T 70/5562; Y10T 137/6024;
Y10T 292/0949; Y10T 292/1053; Y10T
70/569; Y10T 292/0837; Y10T 292/0932;
Y10T 292/1075; Y10T 292/0844; Y10T
292/0806; Y10T 70/7305; Y10T 292/0917;
Y10T 70/5389; Y10T 292/0857; Y10T
292/1041; Y10S 292/27; Y10S 16/30; Y10S

D167,561 S * 8/1952 Dailey et al. D8/308
3,869,159 A * 3/1975 Eads E05C 1/14
292/170
D314,322 S * 2/1991 Burghoff D8/307
5,072,977 A * 12/1991 Millman E05B 63/04
292/172
5,085,474 A * 2/1992 Toledo E05C 1/14
292/244
D384,570 S * 10/1997 Edwards D8/307
D466,392 S * 12/2002 Halajko D8/306
D645,331 S * 9/2011 Lin D8/301
D646,548 S * 10/2011 Mussi D8/302
D677,553 S * 3/2013 Shah D8/302
8,424,928 B2 * 4/2013 Lin E05B 3/00
292/336.3
8,720,116 B1 * 5/2014 Ahmad E05B 17/2038
16/412
D722,856 S * 2/2015 Shah D8/302

(Continued)

Primary Examiner — Derrick Holland

Assistant Examiner — Lauren Calve

(74) *Attorney, Agent, or Firm* — Cantor Colburn LLP

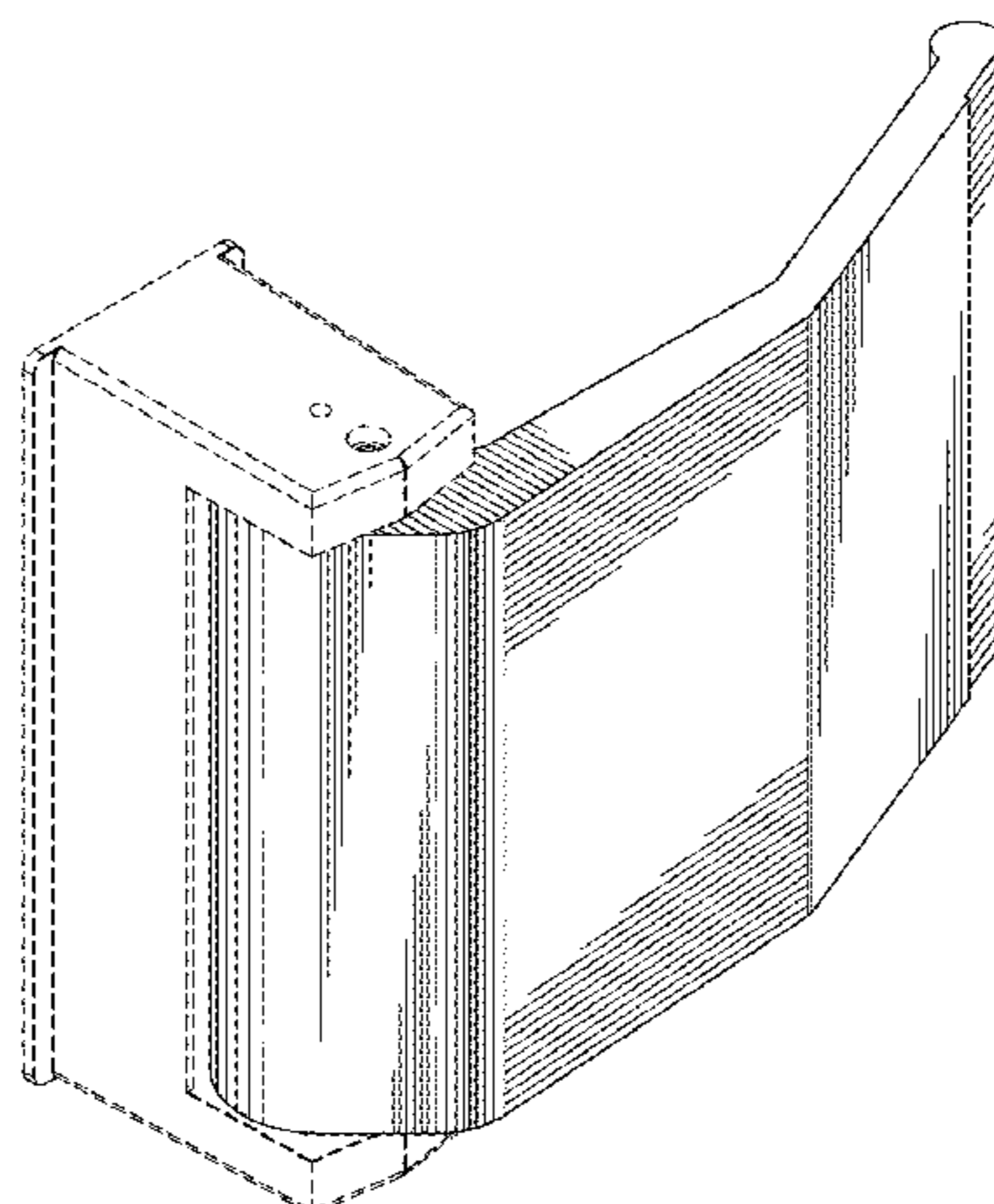
(57) **CLAIM**

The ornamental design for a door handle, as shown and described.

DESCRIPTION

FIG. 1 is a perspective view of a door handle;
FIG. 2 is an end view of the door handle;
FIG. 3 is an opposite end view of the door handle;
FIG. 4 is a top plan view of the door handle;
FIG. 5 is a front view of the door handle;
FIG. 6 is a bottom view of the door handle; and,
FIG. 7 is a rear view of the door handle.
The broken lines shown represent unclaimed subject matter and form no part of the claimed design.

1 Claim, 3 Drawing Sheets



US D756,194 S

Page 2

(56)

References Cited

U.S. PATENT DOCUMENTS

D723,901 S * 3/2015 Holtman D8/307
9,200,472 B2 * 12/2015 Lee E05B 7/00
2009/0282880 A1 * 11/2009 Baser E05B 7/00
70/349

2013/0076046 A1* 3/2013 Shah E05B 63/0056
292/336.3
2015/0159399 A1* 6/2015 Shah E05B 7/00
292/336.3

* cited by examiner

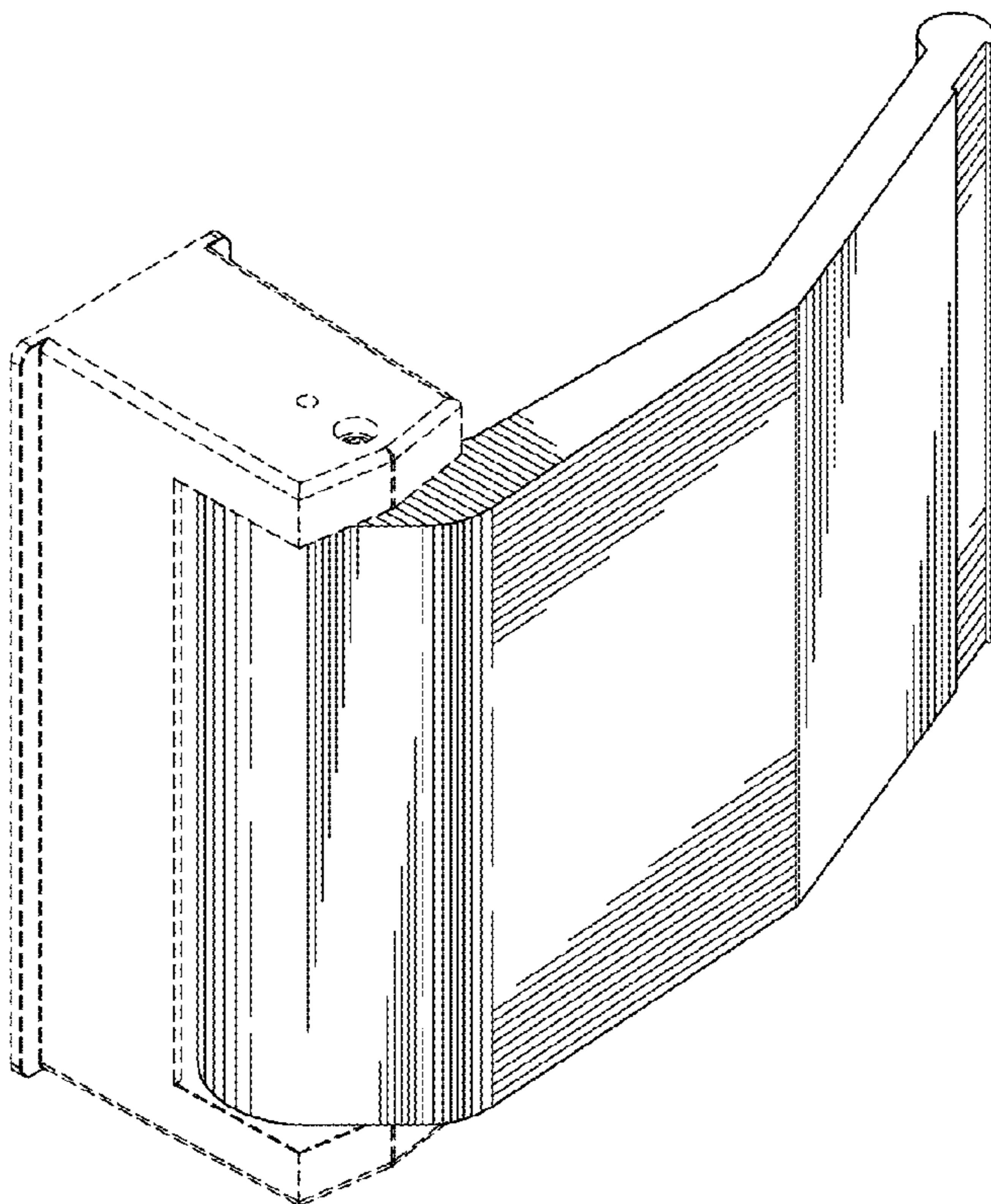


FIG. 1



FIG. 2

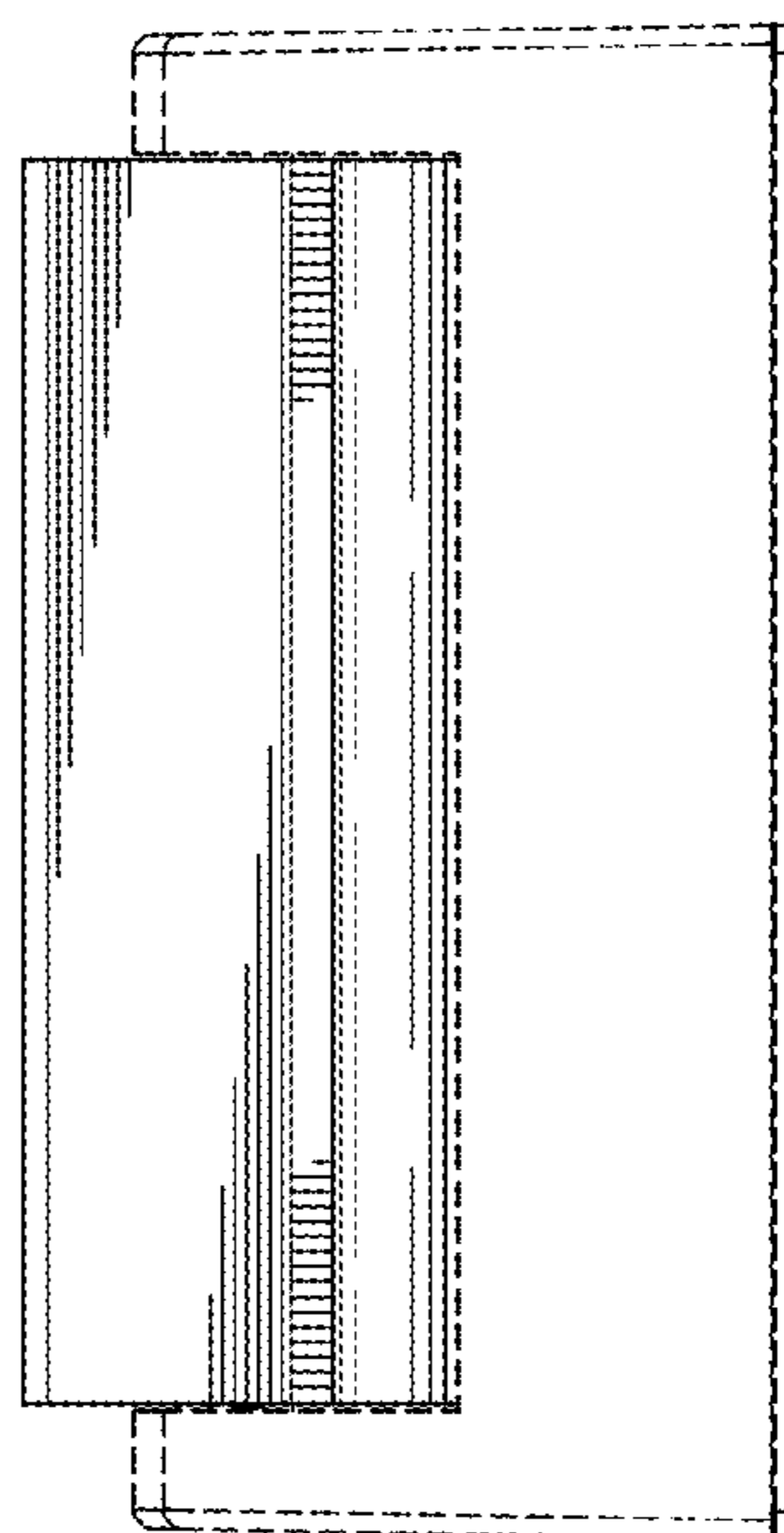


FIG. 3

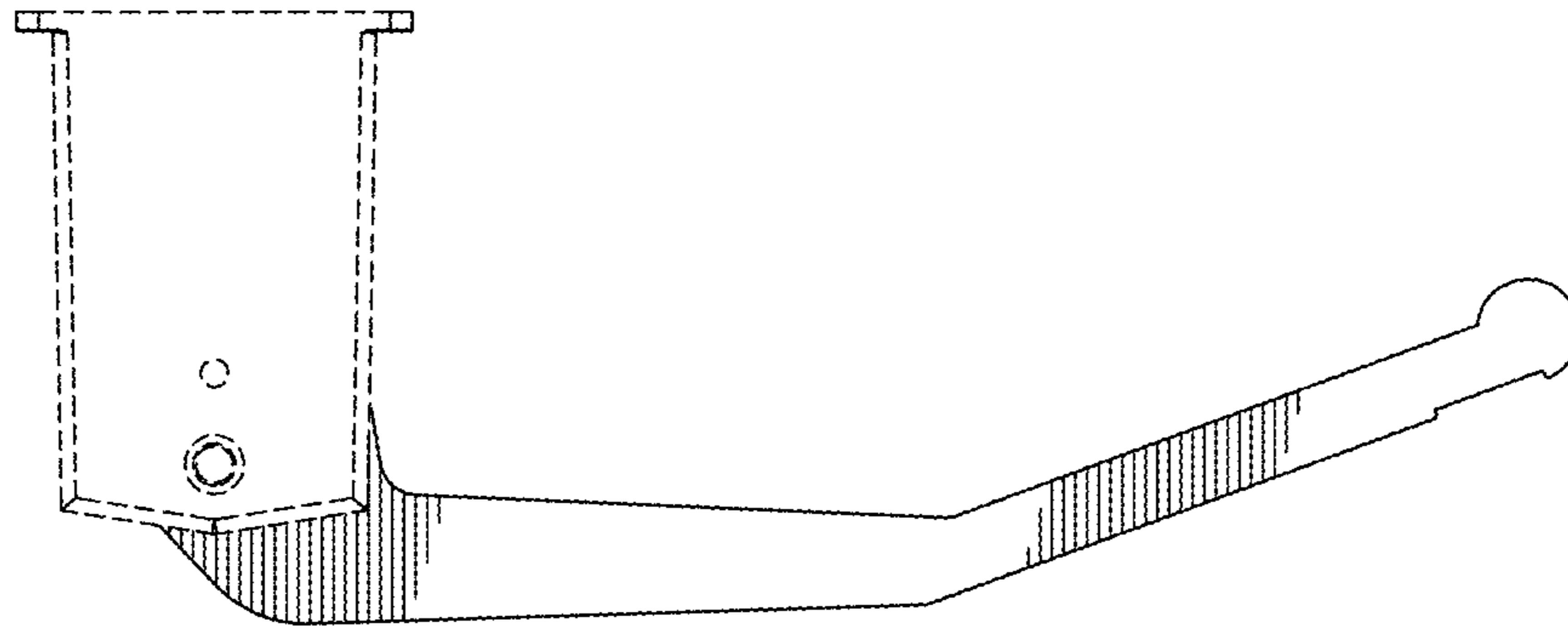


FIG. 4

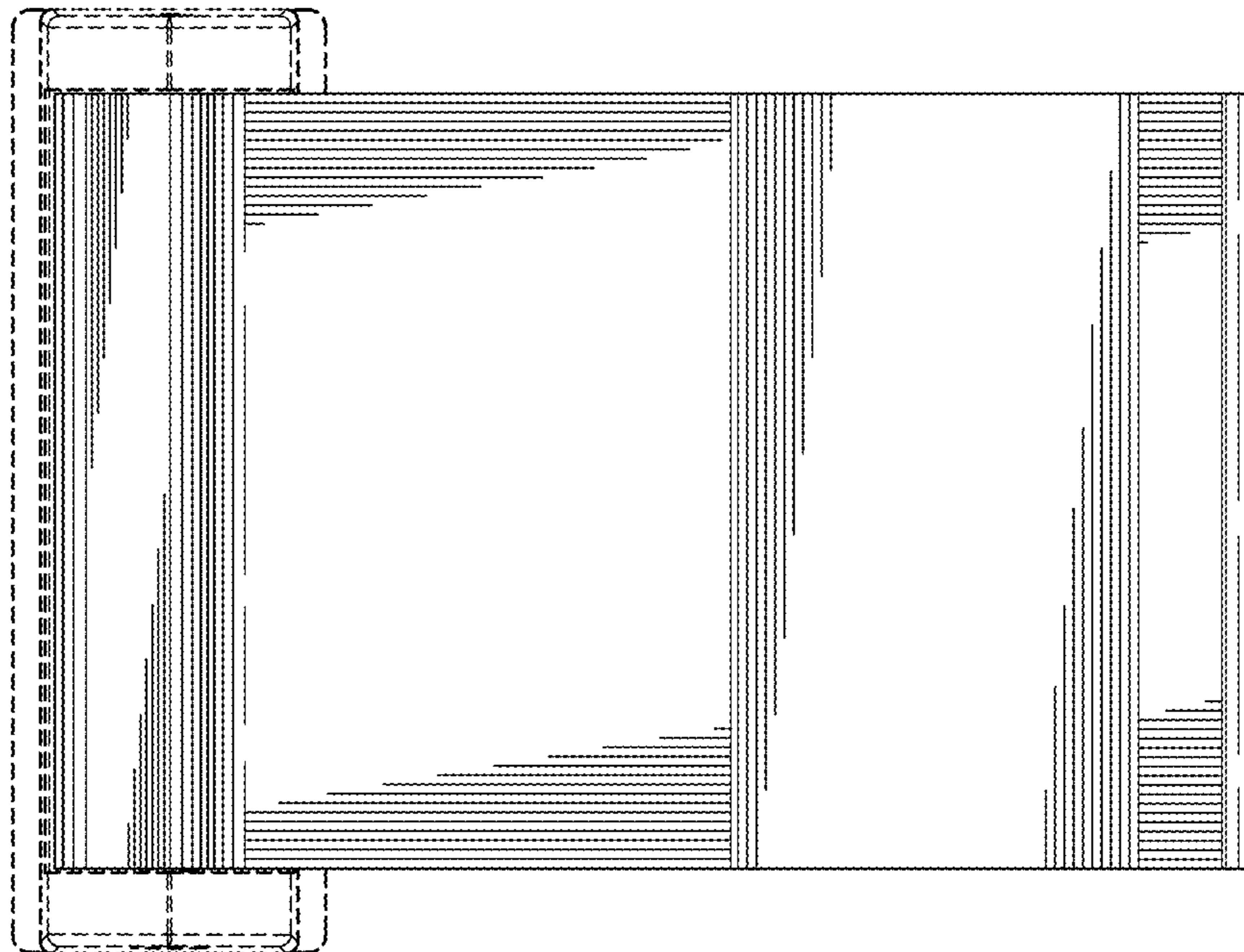


FIG. 5

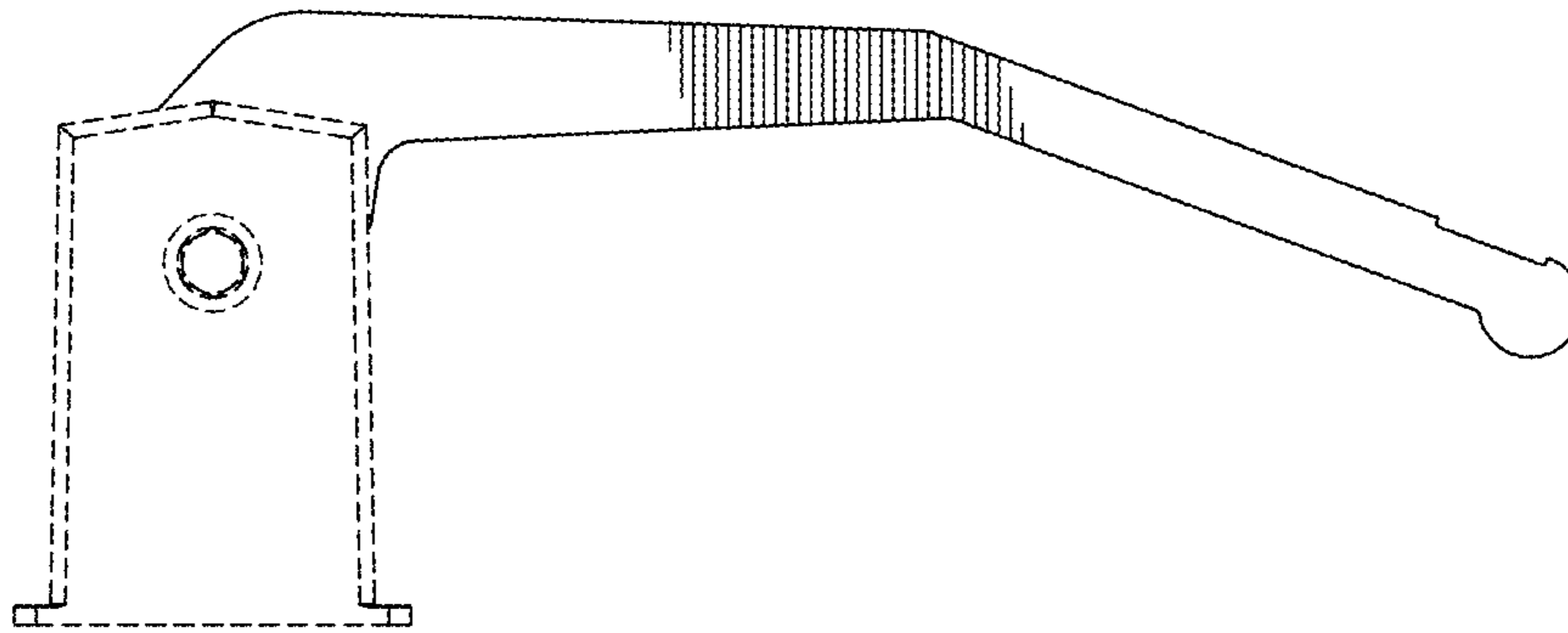


FIG. 6

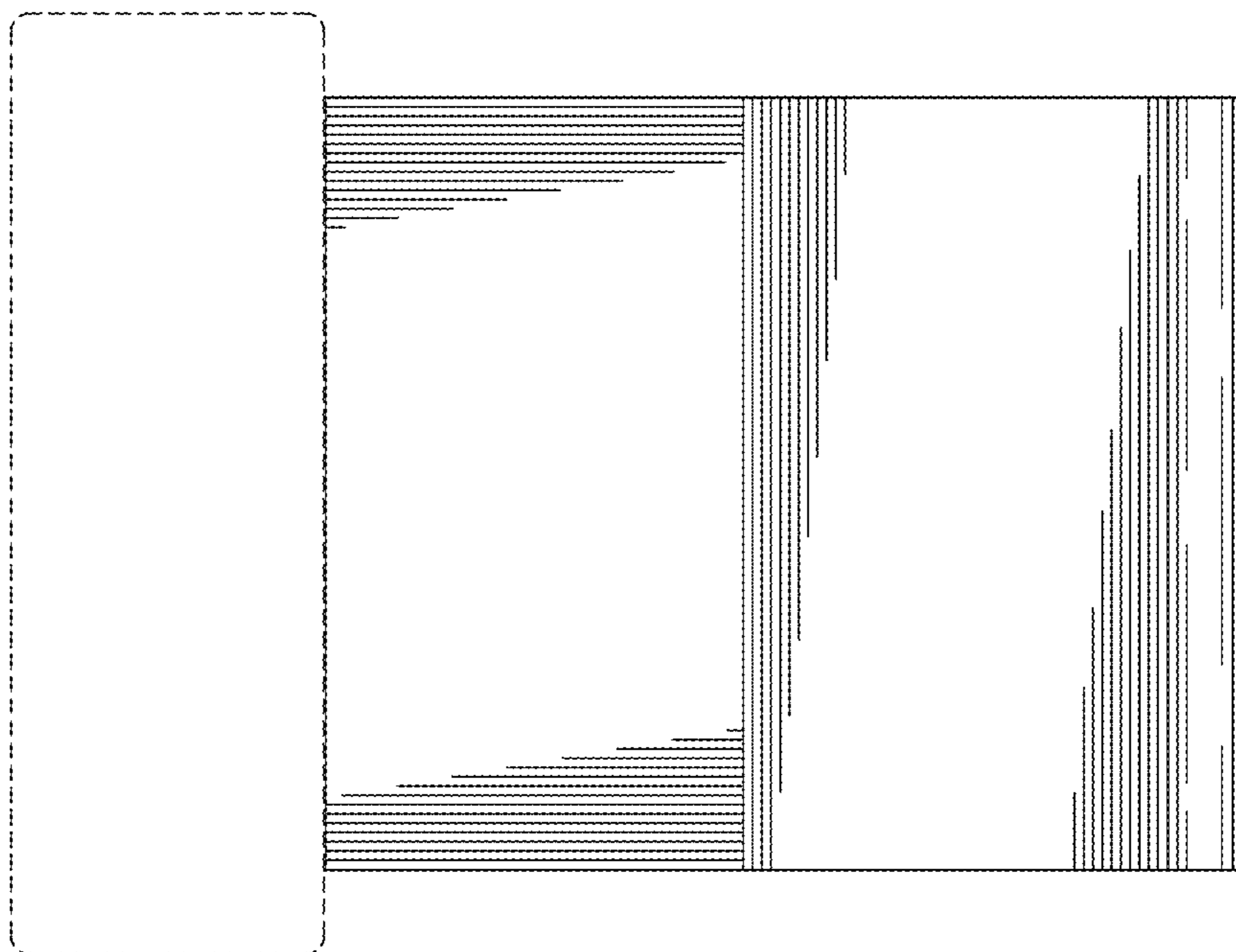


FIG. 7