

US00D756193S

(12) **United States Design Patent**
Horvath

(10) **Patent No.:** **US D756,193 S**

(45) **Date of Patent:** **** May 17, 2016**

(54) **FOLDING KNIFE**

(71) Applicant: **Dwayne Horvath**, Pittstown, NJ (US)

(72) Inventor: **Dwayne Horvath**, Pittstown, NJ (US)

(**) Term: **14 Years**

(21) Appl. No.: **29/513,565**

(22) Filed: **Jan. 2, 2015**

(51) **LOC (10) Cl.** **08-03**

(52) **U.S. Cl.**
USPC **D8/99**

(58) **Field of Classification Search**
USPC D8/99, 12, 98, 105, 107; D22/118
CPC B26B 1/02; B26B 1/04; B26B 1/046;
B26B 1/10; B26B 1/44; B26B 5/00
See application file for complete search history.

(56) **References Cited**

U.S. PATENT DOCUMENTS

D348,599 S * 7/1994 Sakai D22/118
D382,459 S * 8/1997 Khalsa D8/99
D435,420 S * 12/2000 Ayoob D8/99

D438,443 S * 3/2001 Keating D8/99
D441,527 S * 5/2001 Hersh D3/232
D461,387 S * 8/2002 Glesser D8/99
6,725,545 B2 * 4/2004 Frank B26B 9/00
30/123
D495,940 S * 9/2004 Keppel D8/99
D523,317 S * 6/2006 Ryan D8/99
D553,467 S * 10/2007 Ryan D8/99
D560,997 S * 2/2008 Onion D8/99

* cited by examiner

Primary Examiner — Phillip S Hyder

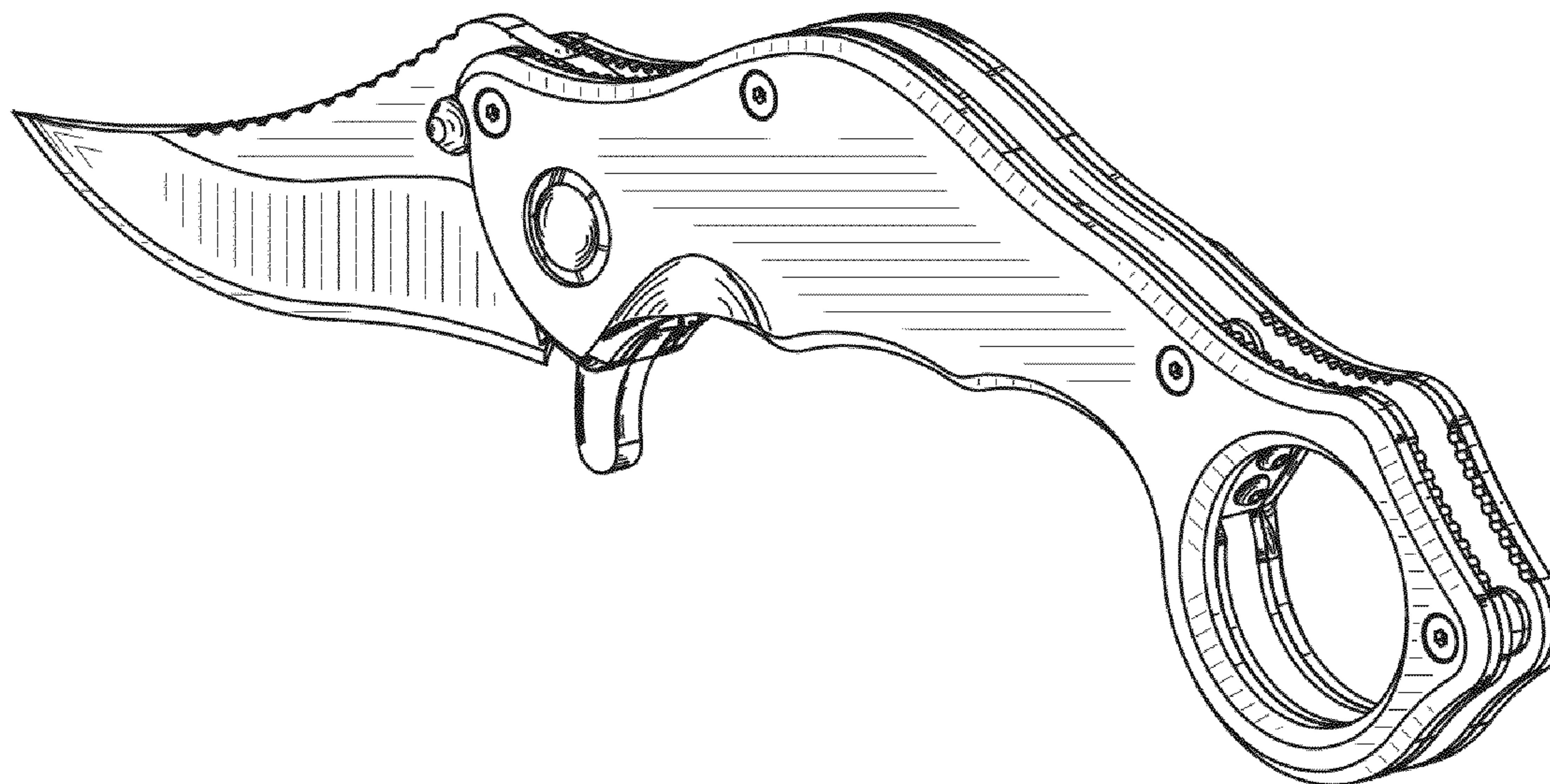
(57) **CLAIM**

I claim the ornamental design for a folding knife, as shown and described.

DESCRIPTION

FIG. 1 is a front elevation view of a folding knife showing my new design;
FIG. 2 is a rear elevation view thereof;
FIG. 3 is a top plan view thereof;
FIG. 4 is a left side elevation view of FIG. 1; and,
FIG. 5 is a perspective view thereof.

1 Claim, 1 Drawing Sheet



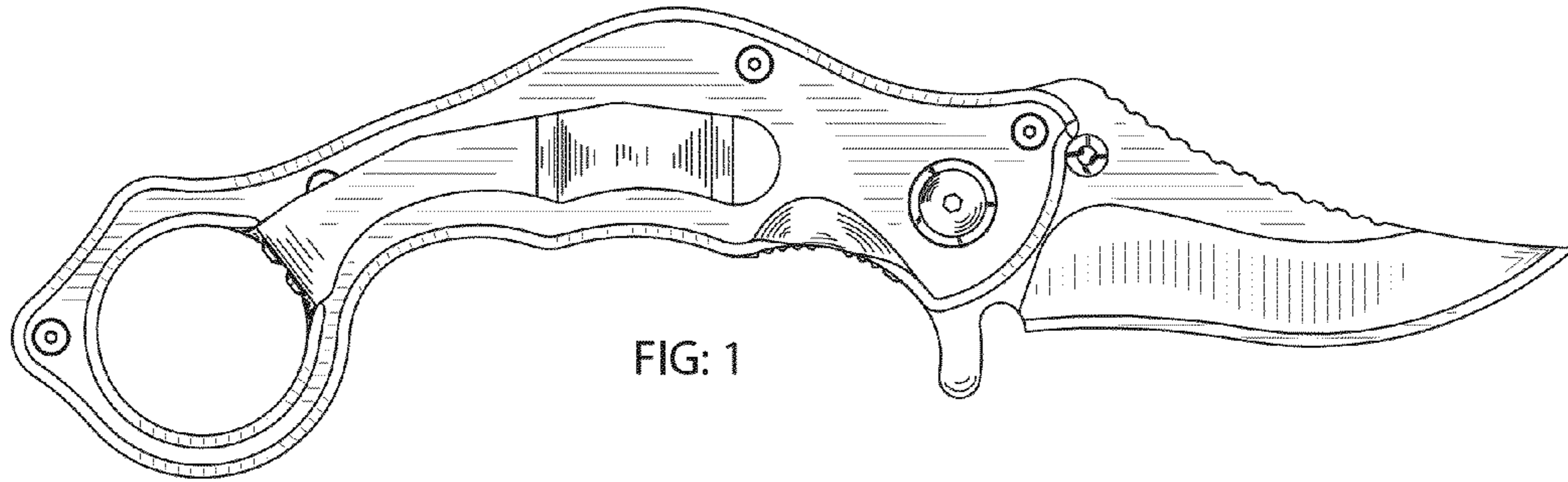


FIG: 1

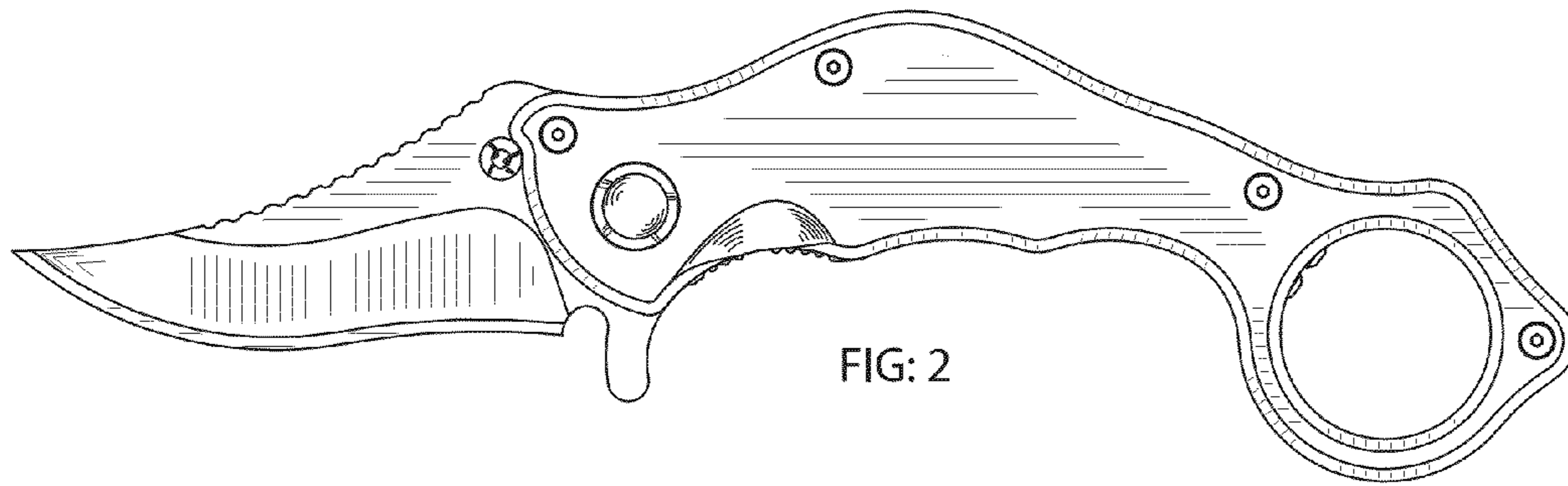


FIG: 2

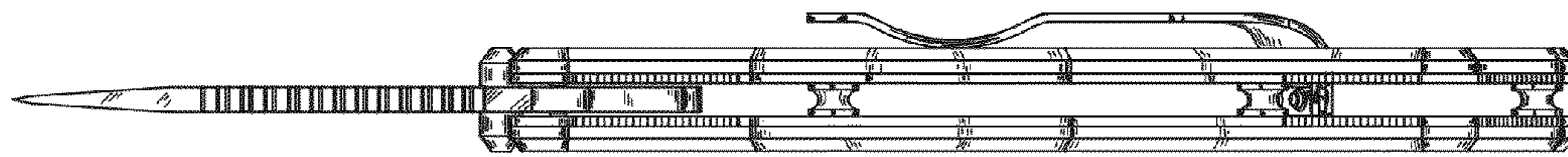


FIG: 3

FIG: 4

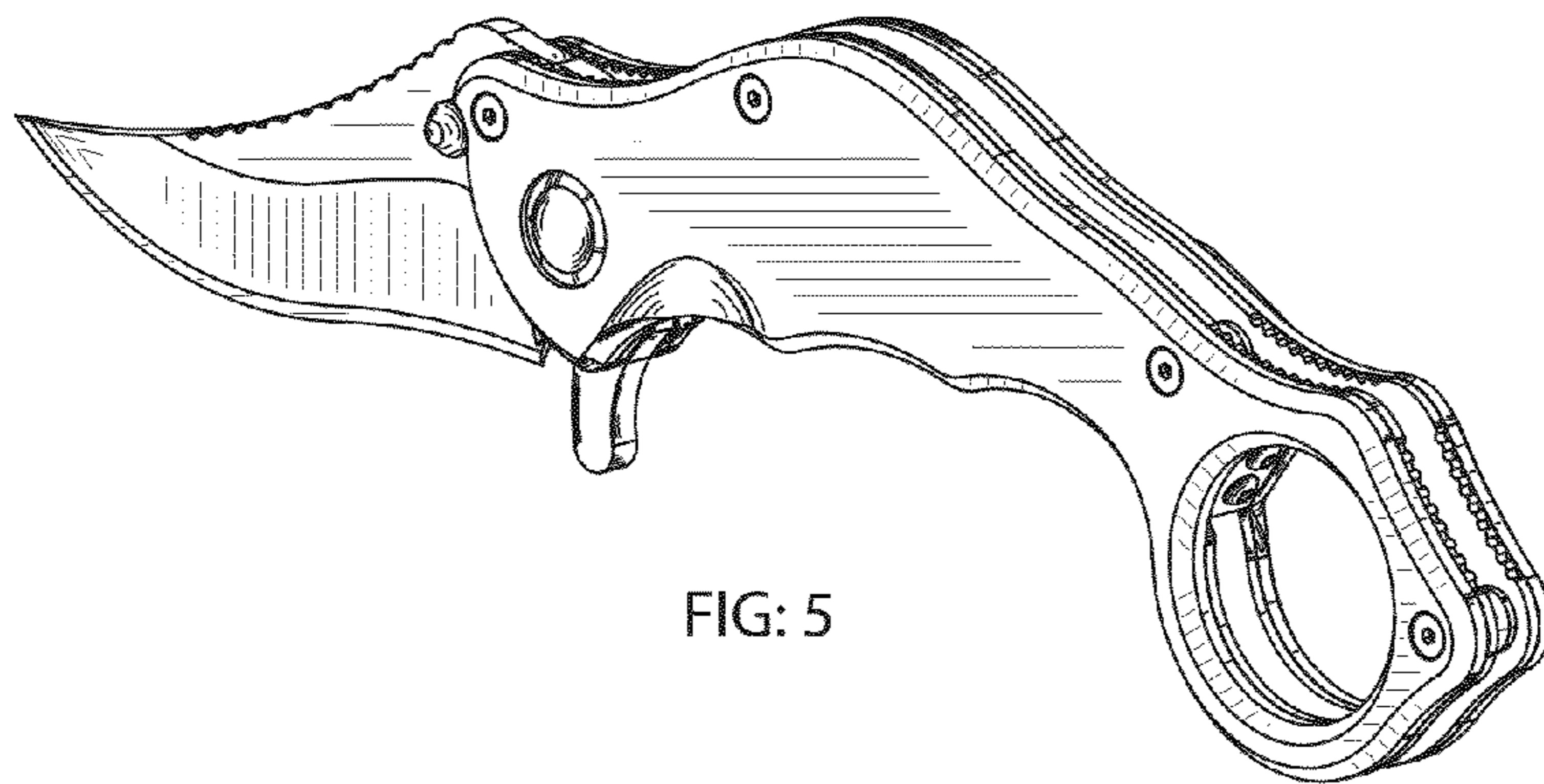
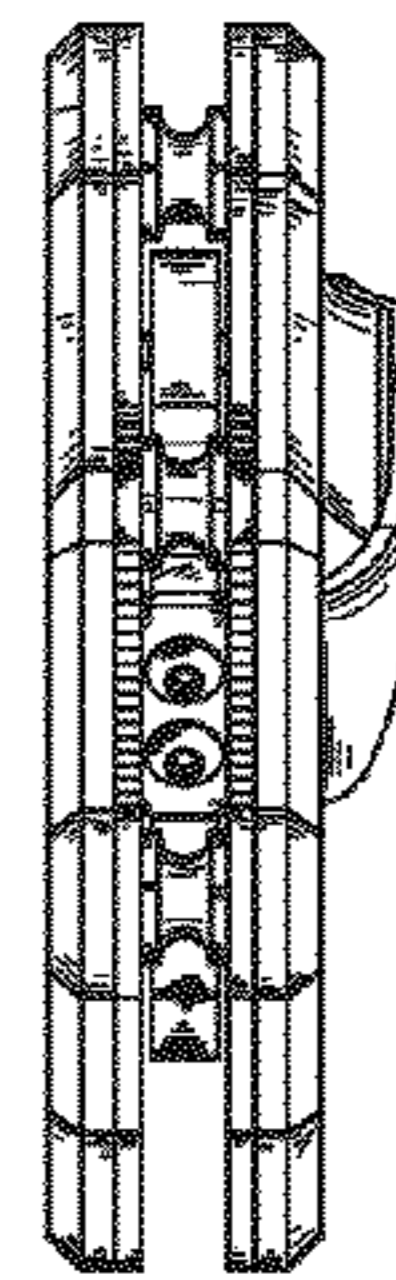


FIG: 5