



US00D756192S

(12) **United States Design Patent**
Horvath

(10) **Patent No.:** **US D756,192 S**

(45) **Date of Patent:** **** May 17, 2016**

(54) **FOLDING KNIFE**

(71) Applicant: **Dwayne Horvath**, Pittstown, NJ (US)

(72) Inventor: **Dwayne Horvath**, Pittstown, NJ (US)

(**) Term: **14 Years**

(21) Appl. No.: **29/513,544**

(22) Filed: **Jan. 1, 2015**

(51) **LOC (10) Cl.** **08-03**

(52) **U.S. Cl.**
USPC **D8/99**

(58) **Field of Classification Search**
USPC D8/99, 12, 98, 105, 107; D22/118
CPC B26B 1/02; B26B 1/04; B26B 1/046;
B26B 1/10; B26B 1/44; B26B 5/00
See application file for complete search history.

(56) **References Cited**

U.S. PATENT DOCUMENTS

D402,524 S *	12/1998	Glesser	D8/99
D453,776 S *	2/2002	Williams	D15/31
D474,669 S *	5/2003	Onion	D8/99
D495,940 S *	9/2004	Keppel	D8/99
D497,531 S *	10/2004	Carter, III	D8/99

D553,467 S *	10/2007	Ryan	D8/99
D560,997 S *	2/2008	Onion	D8/99
7,337,545 B2 *	3/2008	Miltner B24D	15/084 30/138
D575,614 S *	8/2008	Galyean	D8/99
D600,992 S *	9/2009	MacNair	D8/99
8,001,693 B2 *	8/2011	Onion B26B	1/02 30/155
D734,117 S *	7/2015	Cheng	D8/99
2007/0068000 A1 *	3/2007	Onion B26B	1/02 30/160

* cited by examiner

Primary Examiner — Phillip S Hyder

(57) **CLAIM**

I claim the ornamental design for a folding knife, as shown and described.

DESCRIPTION

FIG. 1 is a front perspective view of a folding knife showing my new design;
FIG. 2 is a rear elevation view thereof;
FIG. 3 is a top plan view thereof;
FIG. 4 is a bottom plan view thereof;
FIG. 5 is a left side elevation view of FIG. 1; and,
FIG. 6 is a perspective view thereof.

1 Claim, 1 Drawing Sheet

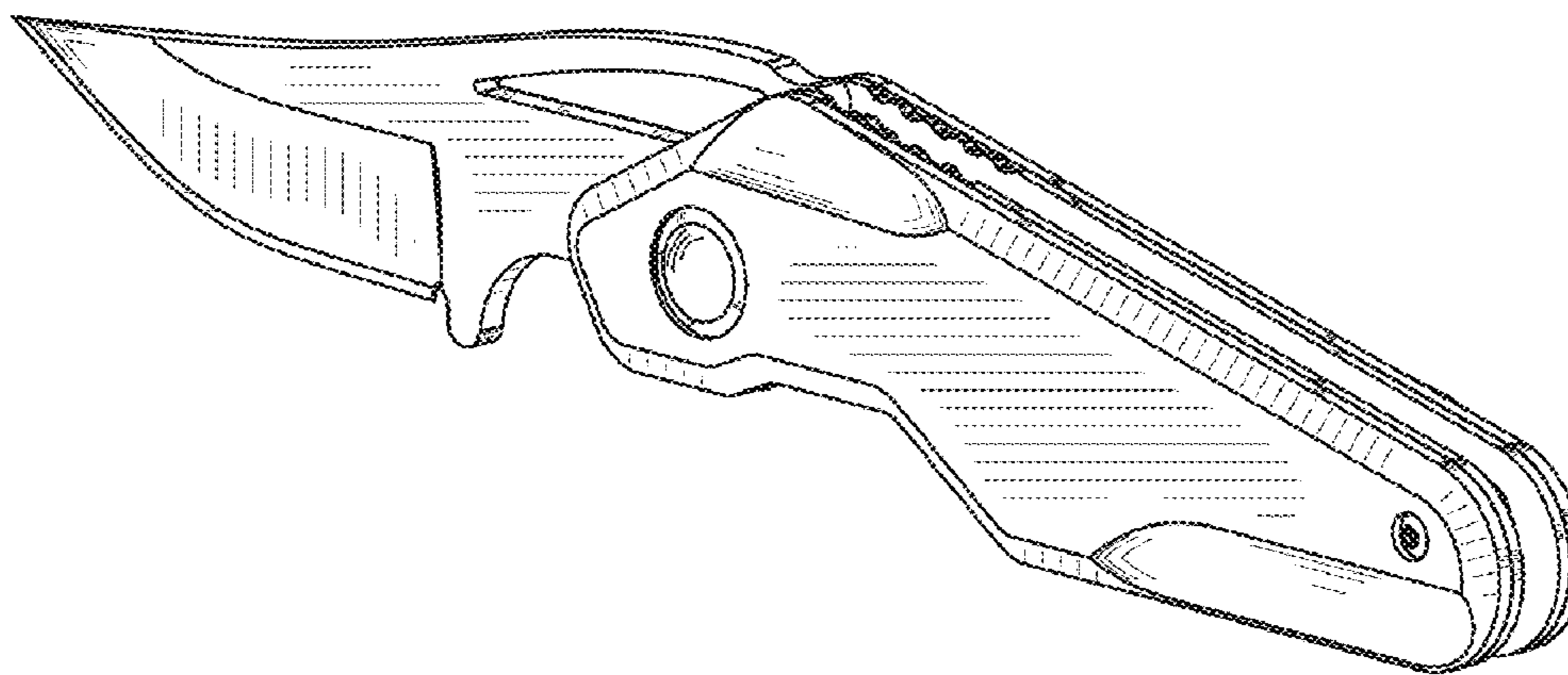


FIG. 1

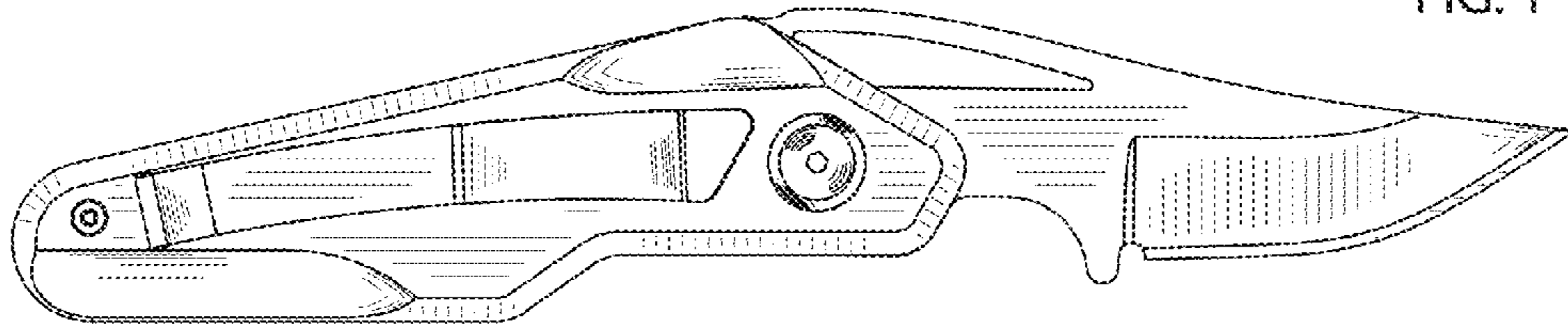


FIG. 2

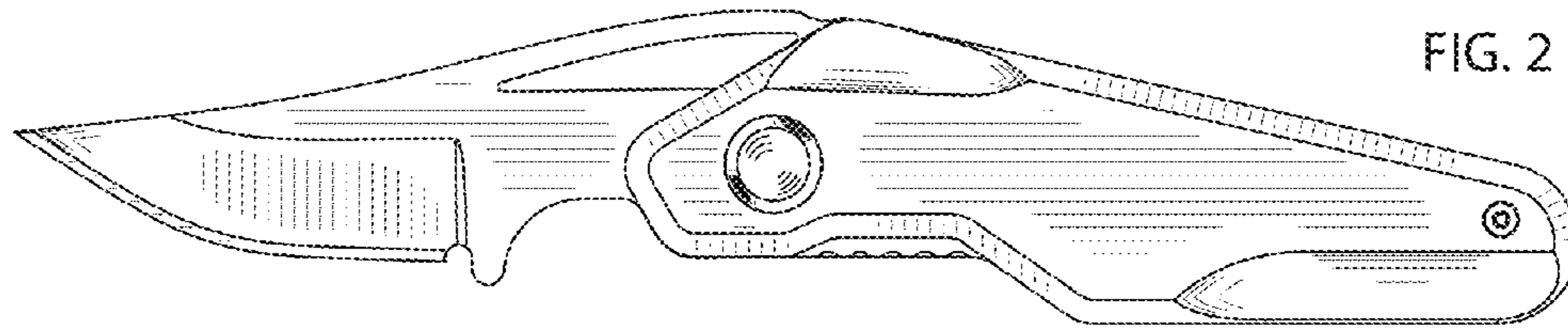


FIG. 3

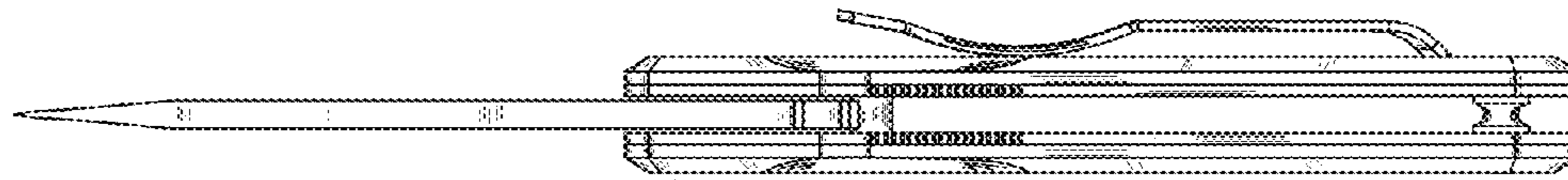


FIG. 4

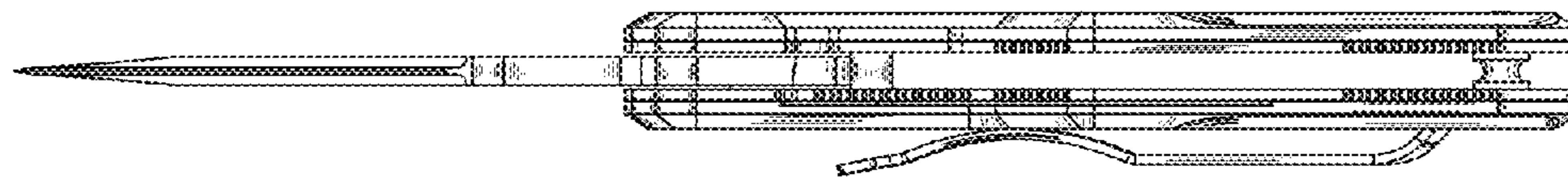


FIG. 5

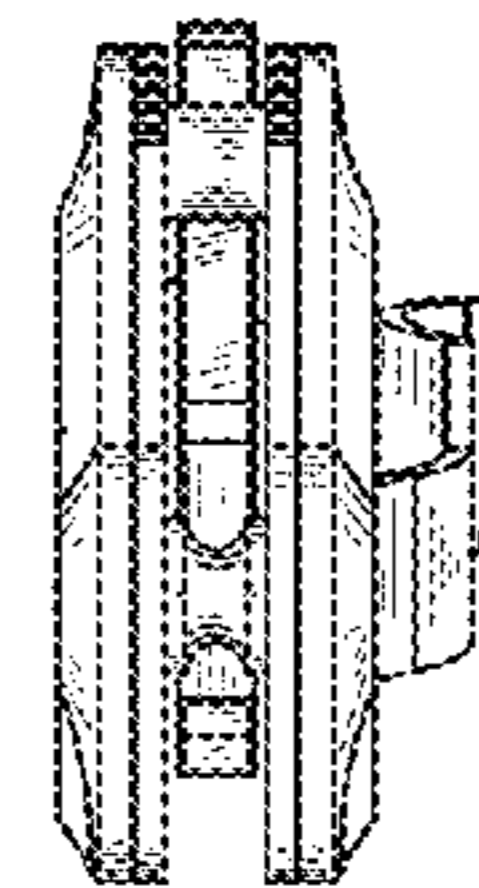


FIG. 6

