



US00D756191S

(12) **United States Design Patent**  
**Horovitz et al.**

(10) **Patent No.:** **US D756,191 S**  
(45) **Date of Patent:** **\*\* May 17, 2016**

- (54) **UTILITY KNIFE**
- (71) Applicant: **Stanley Black & Decker Inc.**, New Britain, CT (US)
- (72) Inventors: **Nadin Daniel Horovitz**, Rehovot (IL); **Chao Lien Liu**, Taichung (TW)
- (73) Assignee: **Stanley Black & Decker Inc.**, New Britain, CT (US)
- (\*\*) Term: **14 Years**
- (21) Appl. No.: **29/511,052**
- (22) Filed: **Dec. 5, 2014**
- (30) **Foreign Application Priority Data**  
Jun. 13, 2014 (CN) ..... 2014 3 0180714
- (51) **LOC (10) Cl.** ..... **08-03**
- (52) **U.S. Cl.**  
USPC ..... **D8/99**
- (58) **Field of Classification Search**  
USPC ..... D8/98, 99, 105, 107  
CPC ..... B26B 5/001; B26B 5/003; B26B 11/00; B26B 1/08  
See application file for complete search history.
- (56) **References Cited**  
**U.S. PATENT DOCUMENTS**  
4,226,020 A \* 10/1980 Quenot ..... B26B 5/002 30/162  
D347,563 S \* 6/1994 Okada ..... D8/99

- 5,502,896 A \* 4/1996 Chen ..... B26B 5/002 30/162
- D458,106 S \* 6/2002 Chong ..... D8/99
- D510,693 S \* 10/2005 Vaes ..... D8/99
- D553,936 S \* 10/2007 Takamasa ..... D8/99
- D559,651 S \* 1/2008 Takamasa ..... D8/99
- D560,462 S \* 1/2008 Takamasa ..... D8/98
- D565,919 S \* 4/2008 Kondo ..... D8/99
- 7,987,602 B2 \* 8/2011 Kanemoto ..... B26B 5/001 30/152
- D656,381 S \* 3/2012 Watanabe ..... D8/99
- D708,499 S \* 7/2014 Garavaglia ..... D8/99
- D735,552 S \* 8/2015 Hung ..... D8/99

\* cited by examiner

*Primary Examiner* — Phillip S Hyder

(74) *Attorney, Agent, or Firm* — Gabriel A. Haboubi

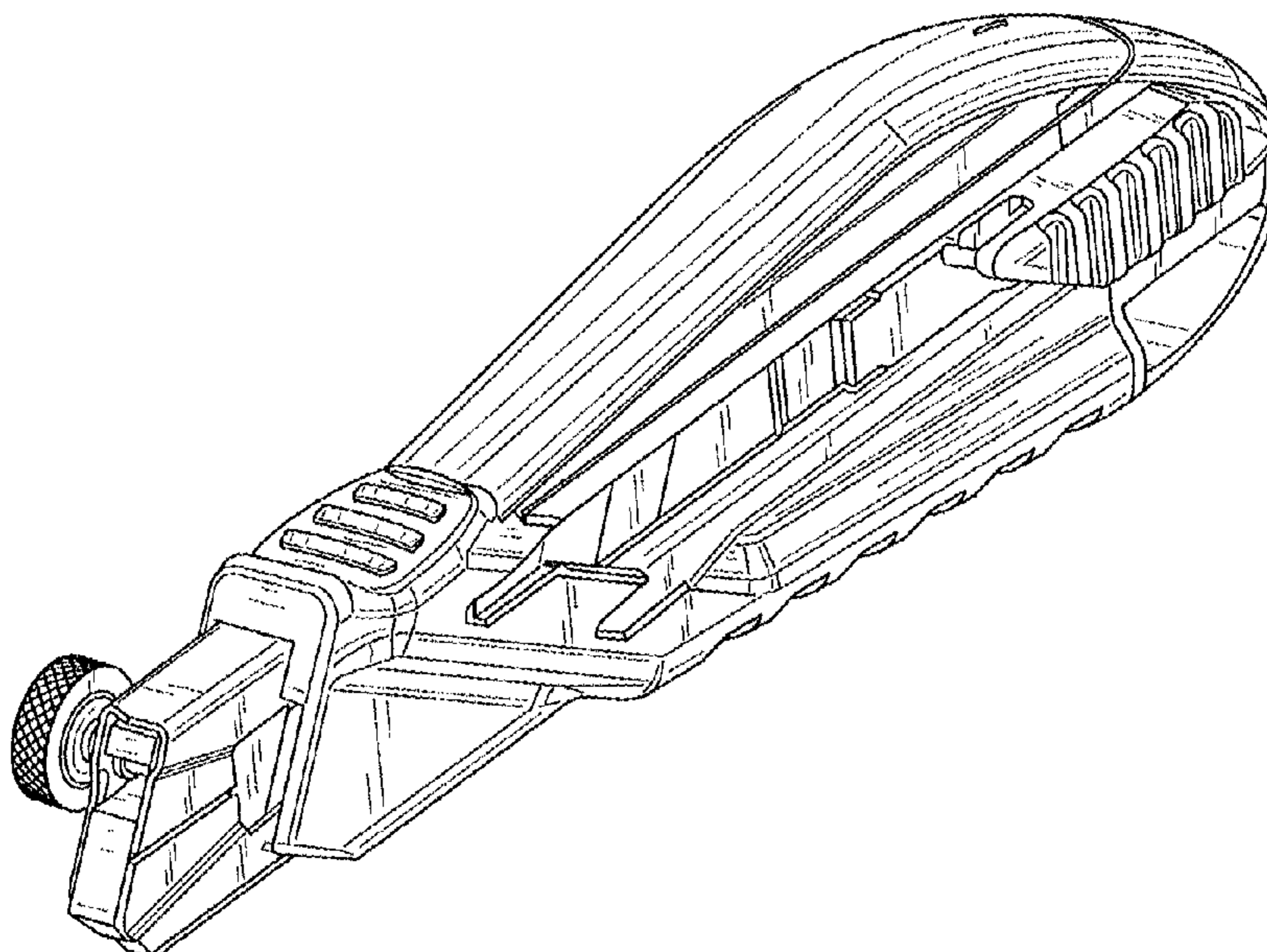
(57) **CLAIM**

The ornamental design for a utility knife, as shown and described.

**DESCRIPTION**

FIG. 1 is a left front perspective view of our new design.  
 FIG. 2 is a right front perspective view of our new design.  
 FIG. 3 is a bottom right perspective view of our new design.  
 FIG. 4 is a right rear perspective view of our new design.  
 FIG. 5 is a left side view thereof.  
 FIG. 6 is a right side view thereof.  
 FIG. 7 is a front view thereof.  
 FIG. 8 is a rear view thereof.  
 FIG. 9 is a top view thereof; and,  
 FIG. 10 is a bottom view thereof.

**1 Claim, 10 Drawing Sheets**



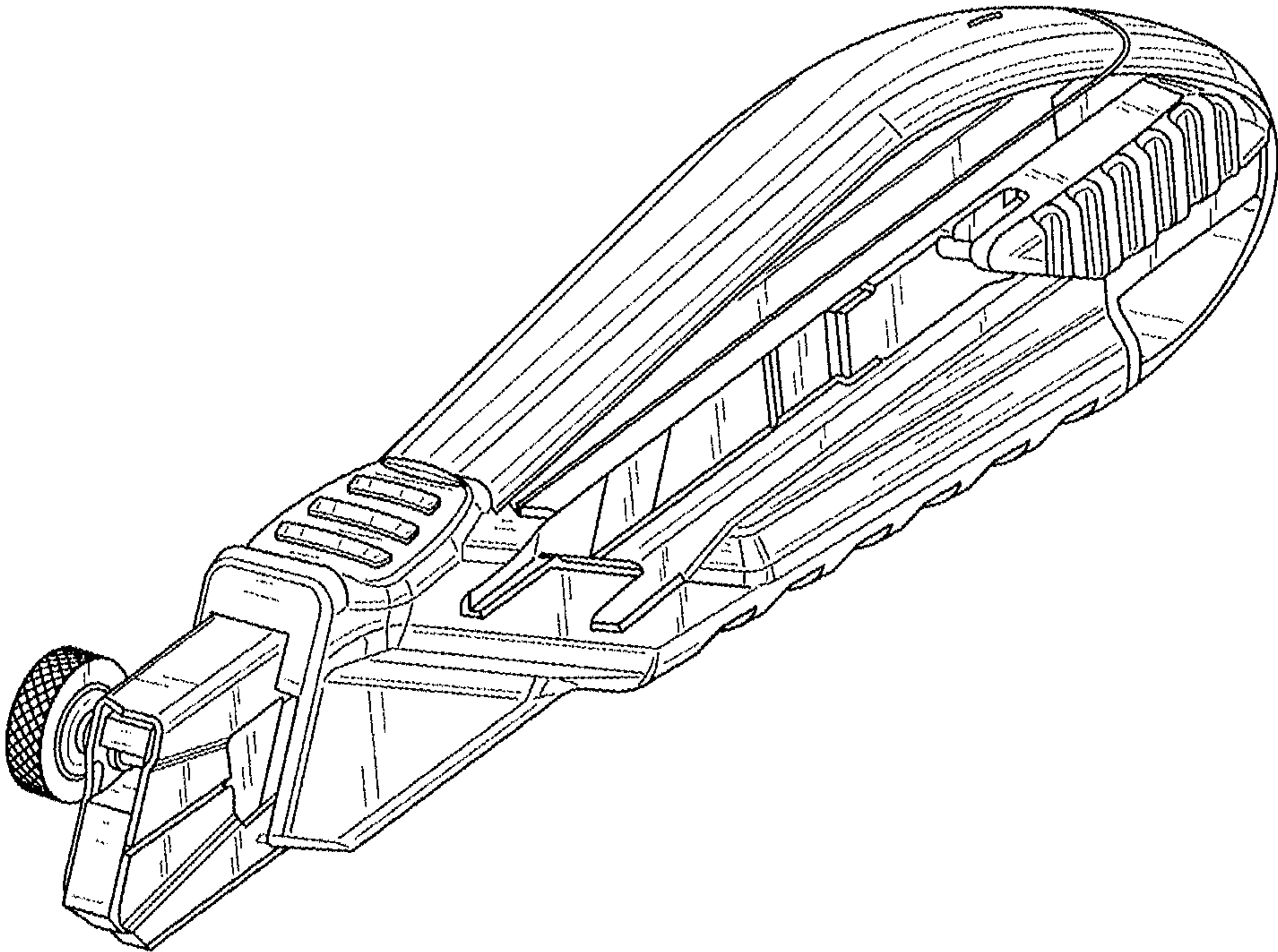


FIG. 1

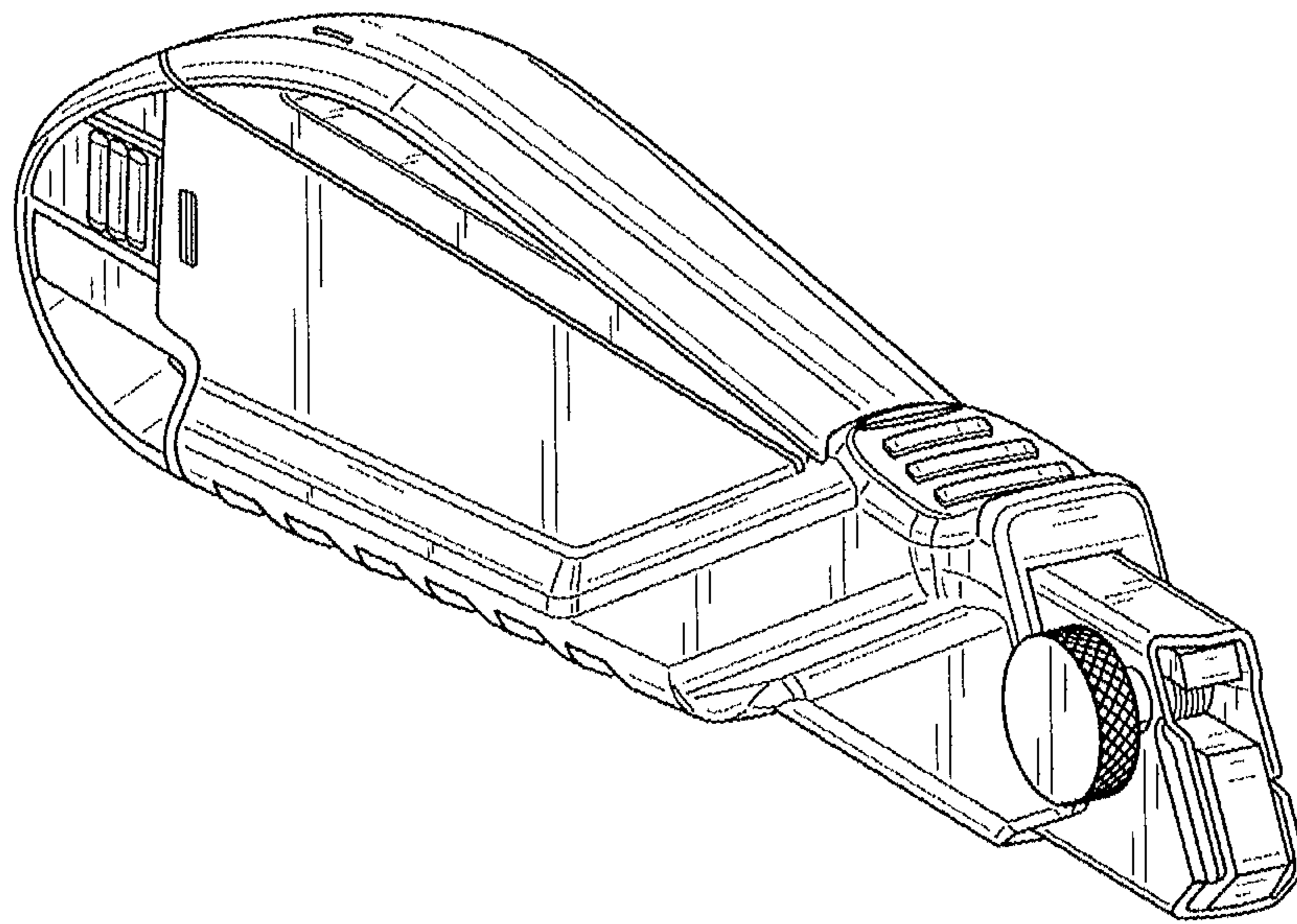


FIG. 2

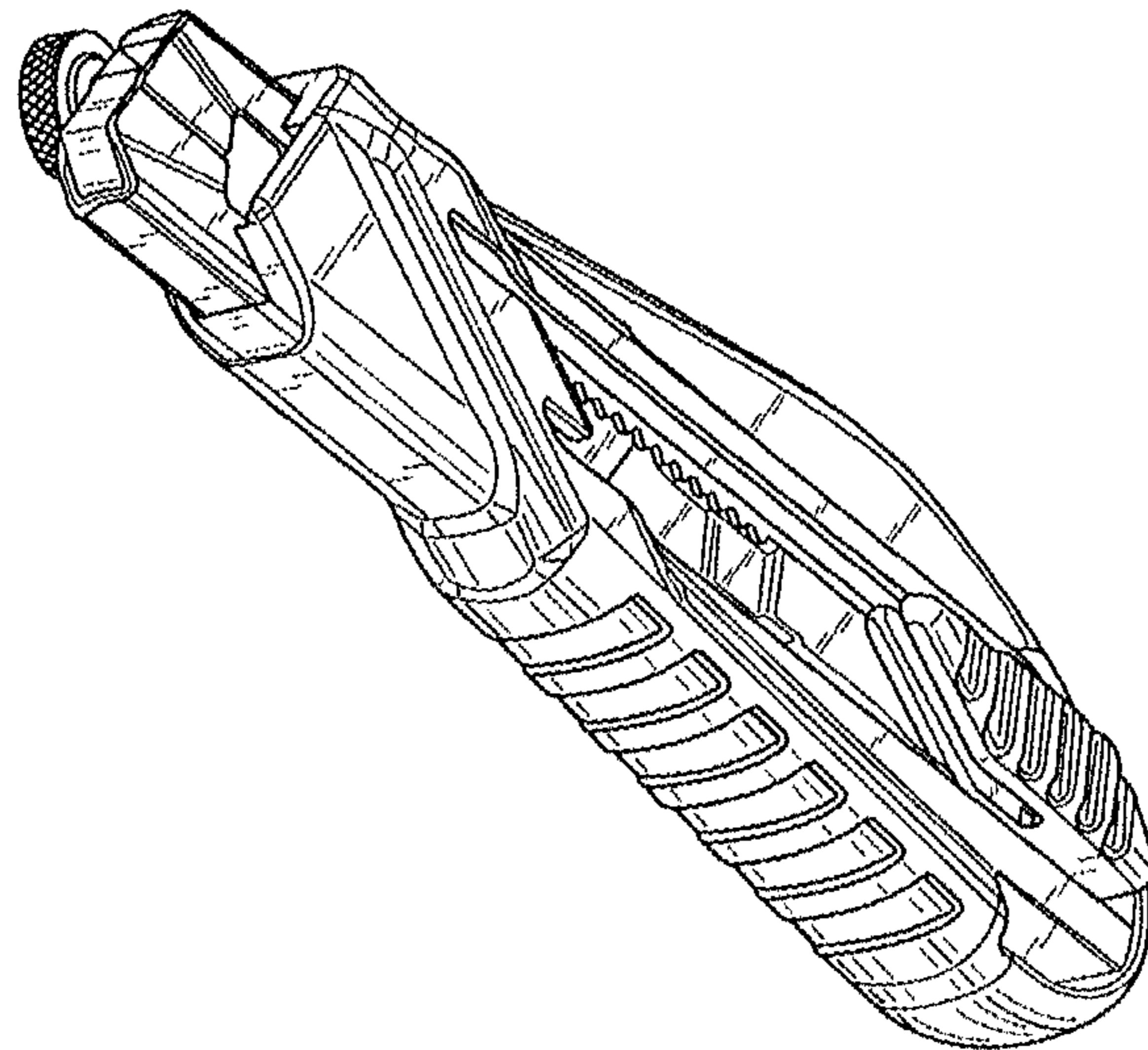


FIG. 3

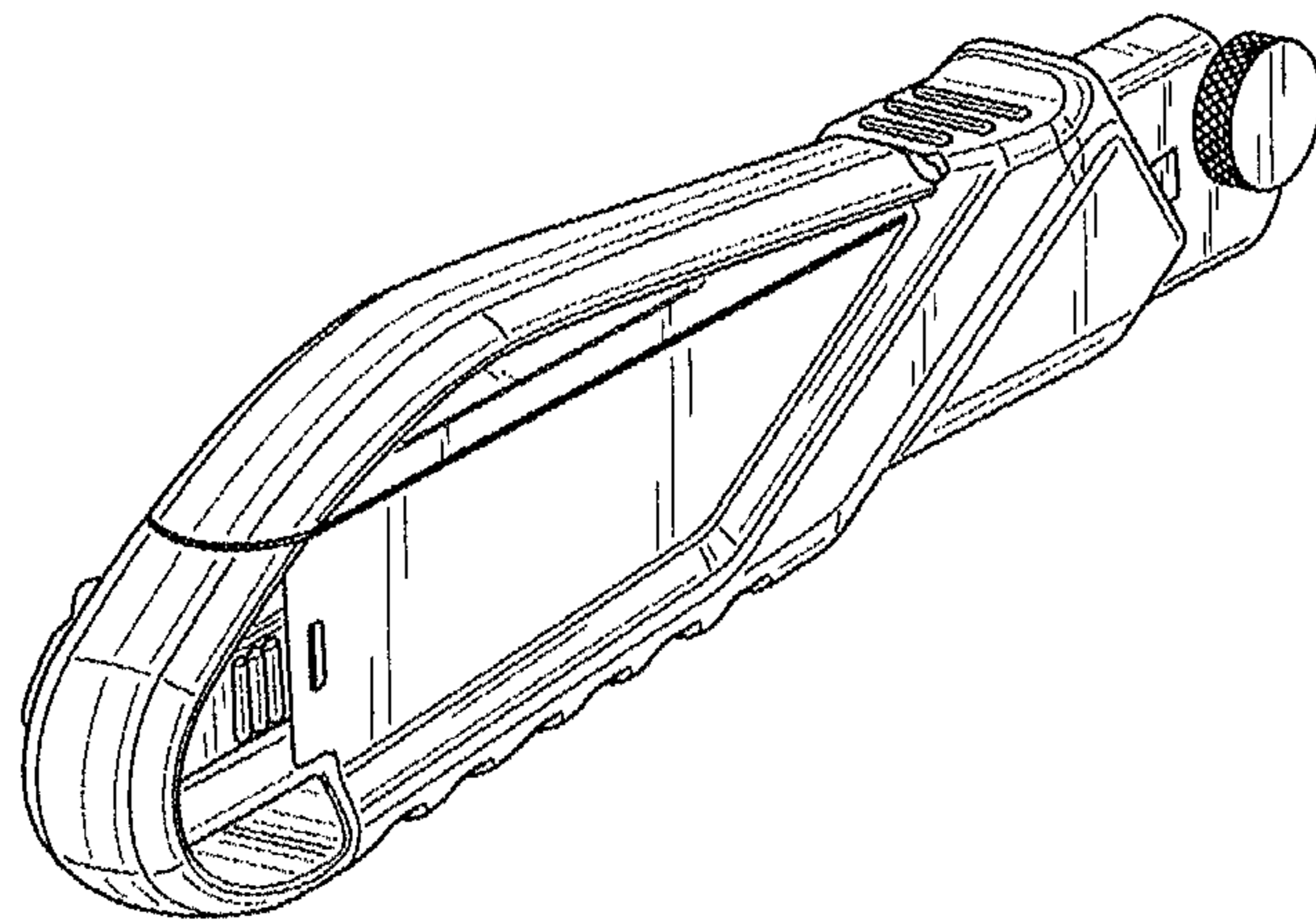


FIG. 4

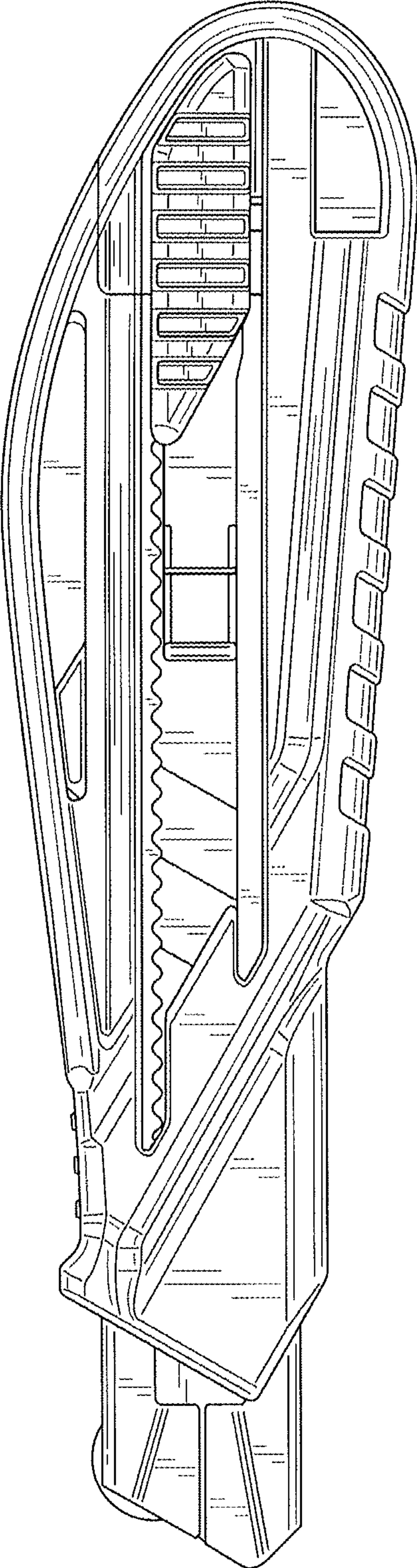


FIG. 5

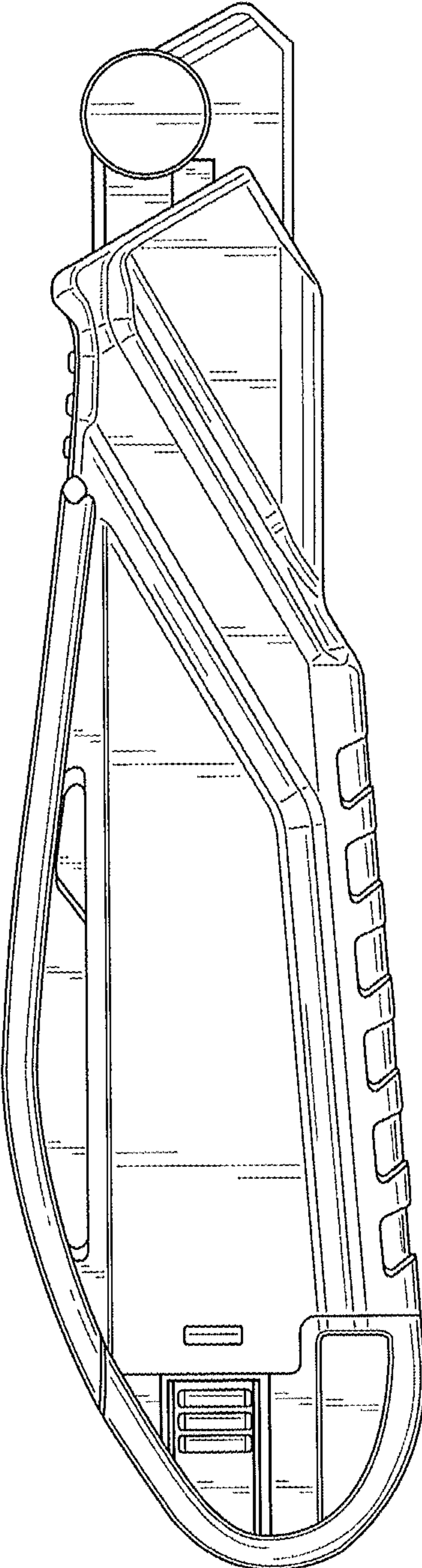


FIG. 6

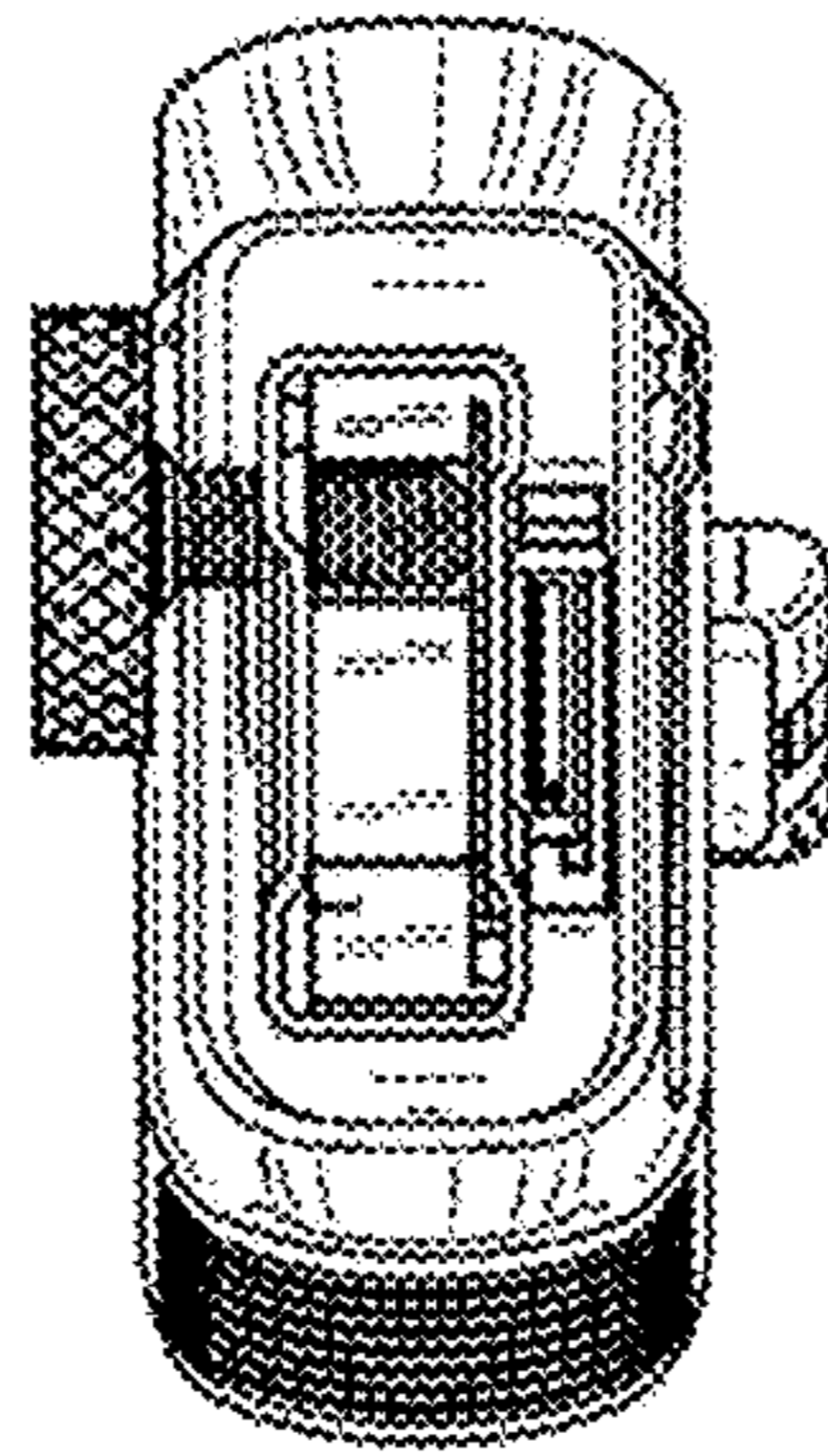


FIG. 7



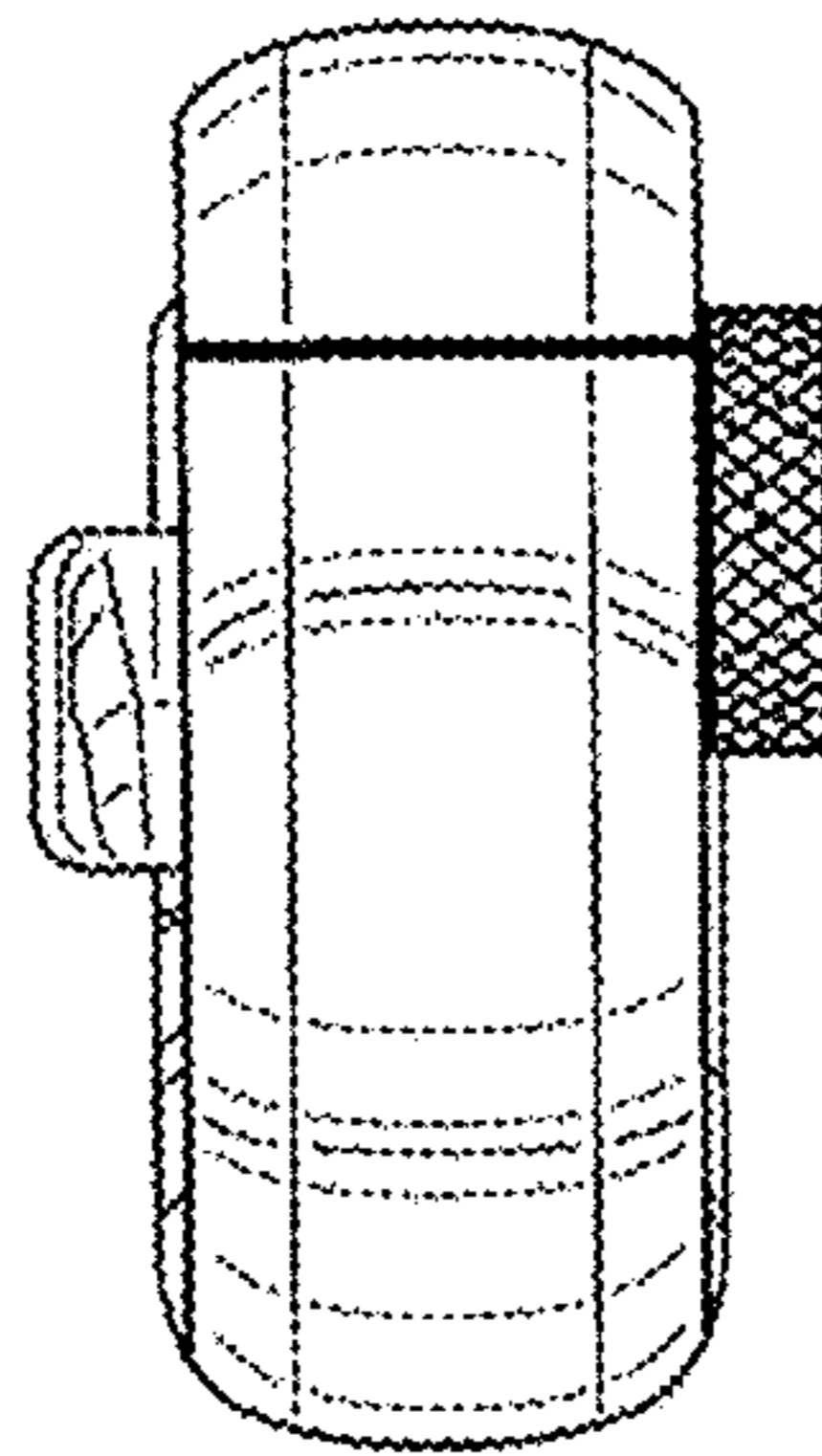


FIG. 8

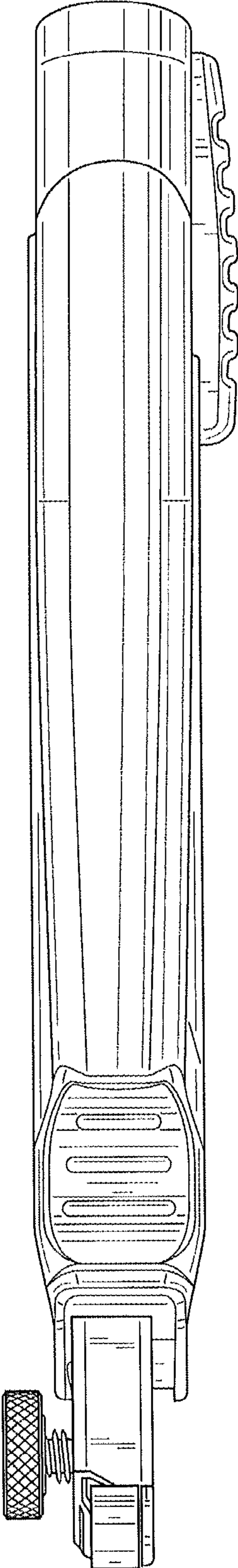


FIG. 9

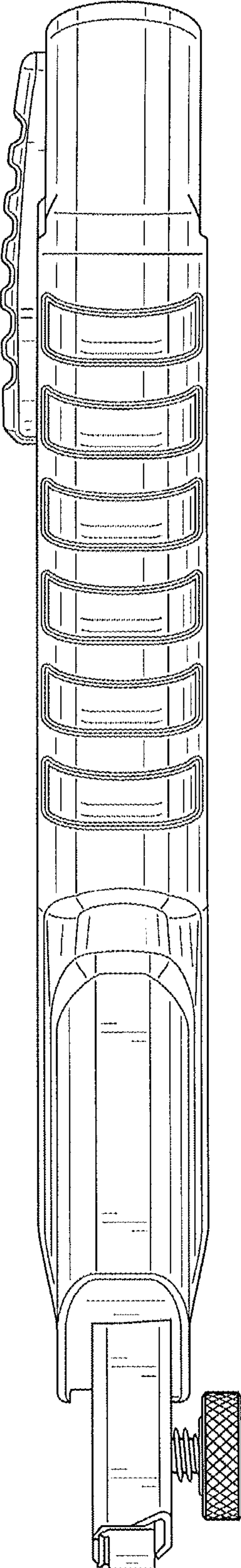


FIG. 10