



US00D756190S

(12) **United States Design Patent**
Pirayesh et al.

(10) **Patent No.:** **US D756,190 S**
(45) **Date of Patent:** **** May 17, 2016**

(54) **ROTARY CUTTER**
(71) Applicant: **Hewlett-Packard Development Company, L.P.**, Houston, TX (US)
(72) Inventors: **Francois K. Pirayesh**, San Diego, CA (US); **Xiaoqi Zhou**, San Diego, CA (US); **David Edmondson**, San Diego, CA (US)
(73) Assignee: **Hewlett-Packard Development Company**, Houston, TX (US)

5,299,355 A 4/1994 Boda et al.
5,303,476 A 4/1994 Tuggle
5,522,135 A * 6/1996 Votolato B26B 29/02
30/2
5,765,289 A 6/1998 Schulz et al.
6,189,218 B1 2/2001 Okada
6,282,794 B1 9/2001 Cho et al.
6,327,783 B1 12/2001 Ming
7,204,023 B2 4/2007 Chang
D557,583 S 12/2007 Lewis et al.

(Continued)

(**) Term: **15 Years**
(21) Appl. No.: **29/529,118**
(22) Filed: **Jun. 3, 2015**

Related U.S. Application Data

(62) Division of application No. 29/427,441, filed on Jul. 18, 2012.
(51) **LOC (10) Cl.** **08-03**
(52) **U.S. Cl.**
USPC **D8/98; D8/51**
(58) **Field of Classification Search**
USPC D8/65, 7, 8, 9, 66, 64, 61, 98, 14, 51,
D8/99, 107, 70; 30/386, 382, 123, 381,
30/165, 123.3, 123.4, 319, 292, 307, 162,
30/306, 263
CPC B26B 13/005
See application file for complete search history.

(56) **References Cited**

U.S. PATENT DOCUMENTS

4,274,319 A 6/1981 Frye et al.
5,101,564 A 4/1992 Melter
D341,764 S 11/1993 Birkholz

OTHER PUBLICATIONS

“Stitch Your Life: Get Started Supply List”. Found online Sep. 2, 2015 at [stitchedincolor.com](http://www.stitchedincolor.com). Page dated Sep. 7, 2010. Retrieved from http://www.stitchedincolor.com/2010/09/stitch-your-life-get-started-supply_07.html.*

(Continued)

Primary Examiner — Robert M Spear
Assistant Examiner — Kendra L Hamilton
(74) *Attorney, Agent, or Firm* — Dierker & Associates, P.C.

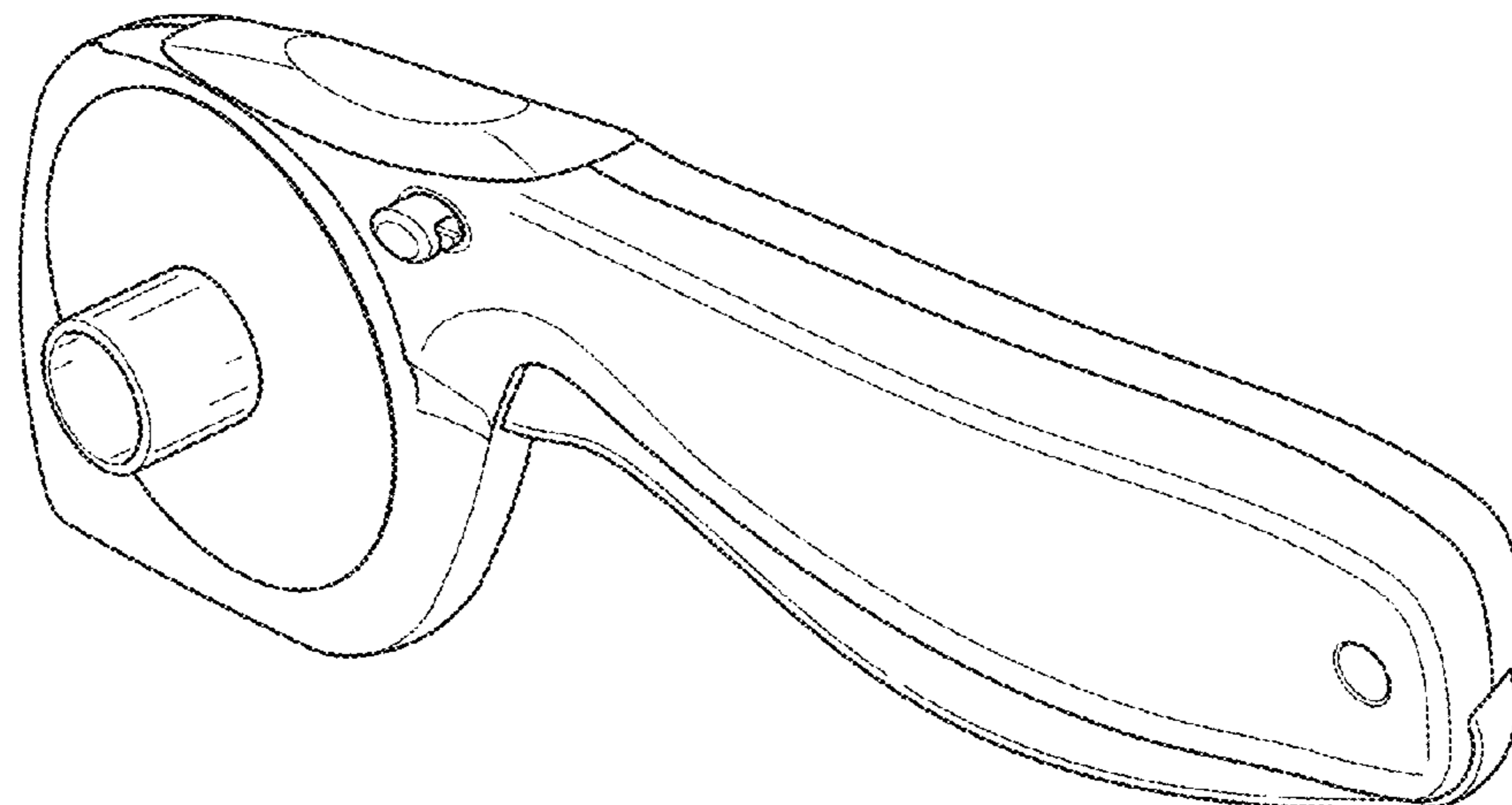
(57) **CLAIM**

The ornamental design for a rotary cutter, as shown and described.

DESCRIPTION

FIG. 1 is an isometric view of a rotary cutter showing our new design;
FIG. 2 is a right side view of the rotary cutter shown in FIG. 1;
FIG. 3 is a left side view of the rotary cutter shown in FIG. 1;
FIG. 4 is a front view of the rotary cutter shown in FIG. 1;
FIG. 5 is a back view of the rotary cutter shown in FIG. 1;
FIG. 6 is a top view of the rotary cutter shown in FIG. 1; and,
FIG. 7 is a bottom view of the rotary cutter shown in FIG. 1.

1 Claim, 2 Drawing Sheets



(56)

References Cited

U.S. PATENT DOCUMENTS

D582,239	S	12/2008	Eby et al.	
D633,361	S	3/2011	Chang	
8,046,922	B2	11/2011	Eby et al.	
8,782,909	B1 *	7/2014	Davis	B26B 5/003 30/2
9,003,668	B2 *	4/2015	Landwehr	B26B 5/00 30/153
D737,110	S *	8/2015	Schufft	D8/99
9,107,695	B2 *	8/2015	Horton	A61B 17/42
2003/0131483	A1	7/2003	Carlson et al.	
2004/0093734	A1 *	5/2004	Votolato	B26B 29/02 30/2
2005/0188545	A1 *	9/2005	Poteet	B25G 1/102 30/340
2006/0236551	A1	10/2006	Chang	
2006/0248725	A1 *	11/2006	Huang	B67B 7/30 30/2
2007/0028461	A1 *	2/2007	Chen Lin	B26B 25/005 30/293

2008/0010838	A1	1/2008	Kortleven et al.	
2008/0010839	A1	1/2008	Eby et al.	
2008/0201960	A1 *	8/2008	Watanabe	B26B 29/02 30/151
2009/0271988	A1 *	11/2009	Votolato	B26B 5/003 30/158
2010/0037787	A1 *	2/2010	Eide	B26B 25/005 99/538
2015/0013171	A1 *	1/2015	Wu	B26B 5/003 30/162

OTHER PUBLICATIONS

“Makoto Orisaki: ‘Or Ita’ Rotary Cardboard Cutter Blade Part 1”. Found online Sep. 2, 2015 at designboom.com. Page dated Nov. 24, 2010. Retrieved from <http://www.designboom.com/design/makoto-orisaki-or-ita-rotary-cardboard-cutter-blade-part-1/>.*

“Carl CC-10 Handheld Rotary Cutter”, abcoffice website, www.abcoffice.com/carl10.htm

“TrueCut Rotary Cutting System” by The Grace Company, I Have A Notion website, www.ihavea-notion.com.

* cited by examiner

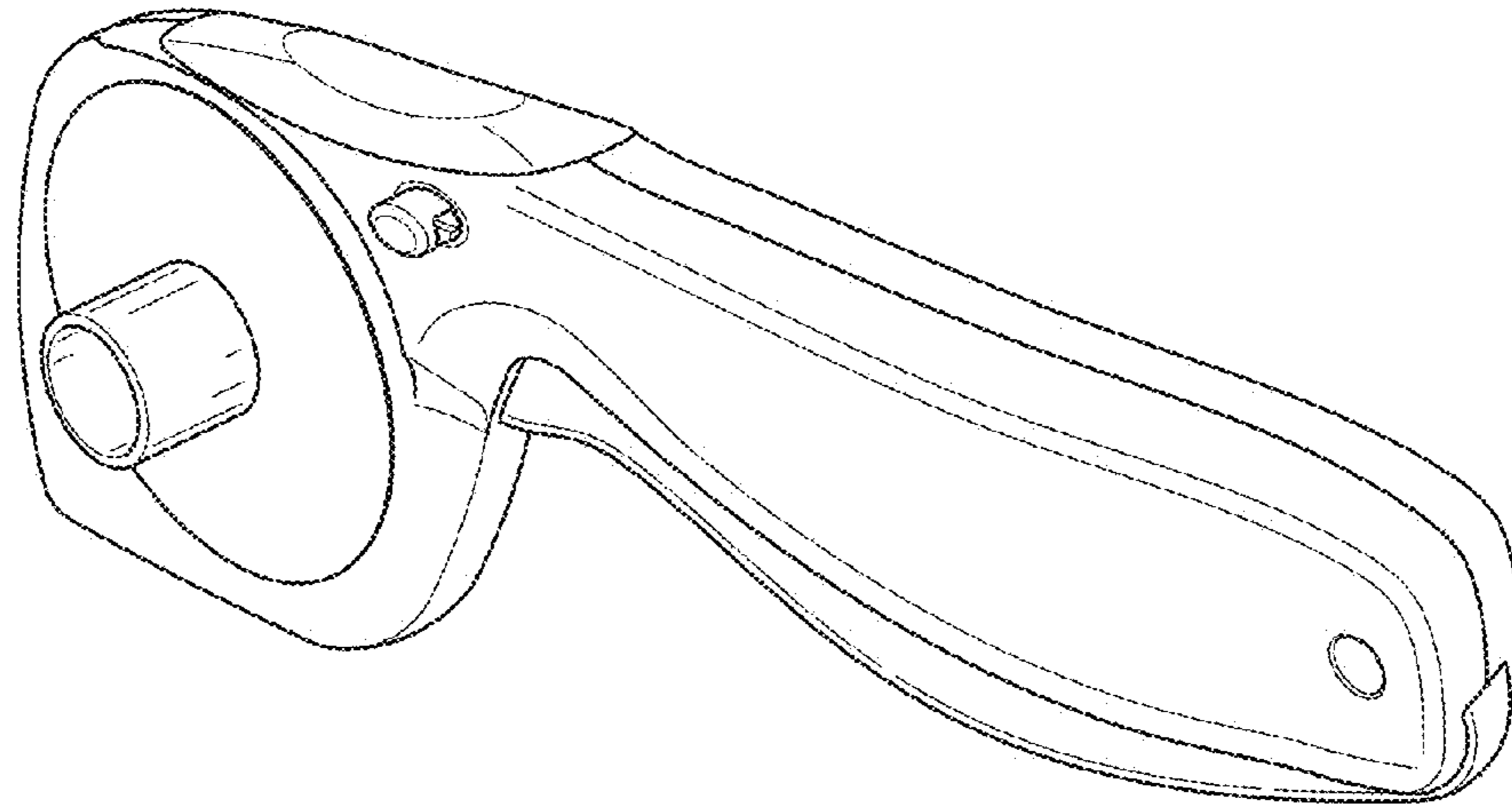


FIG. 1

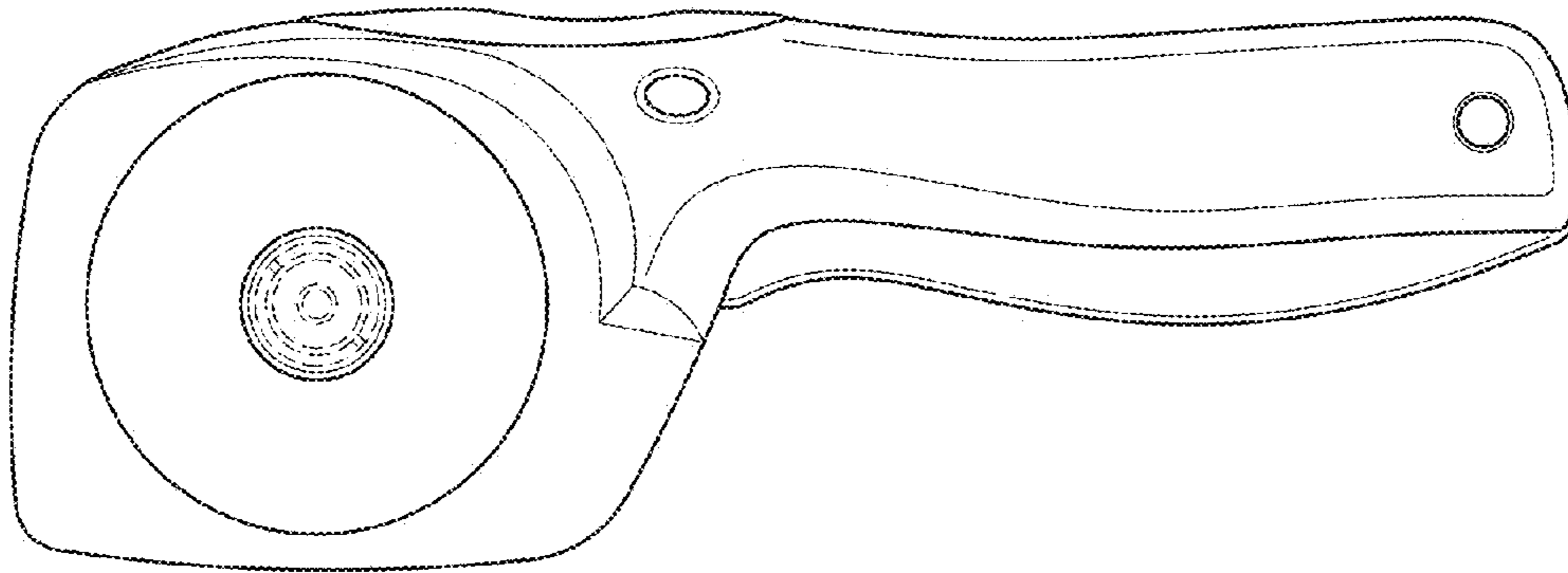


FIG. 2

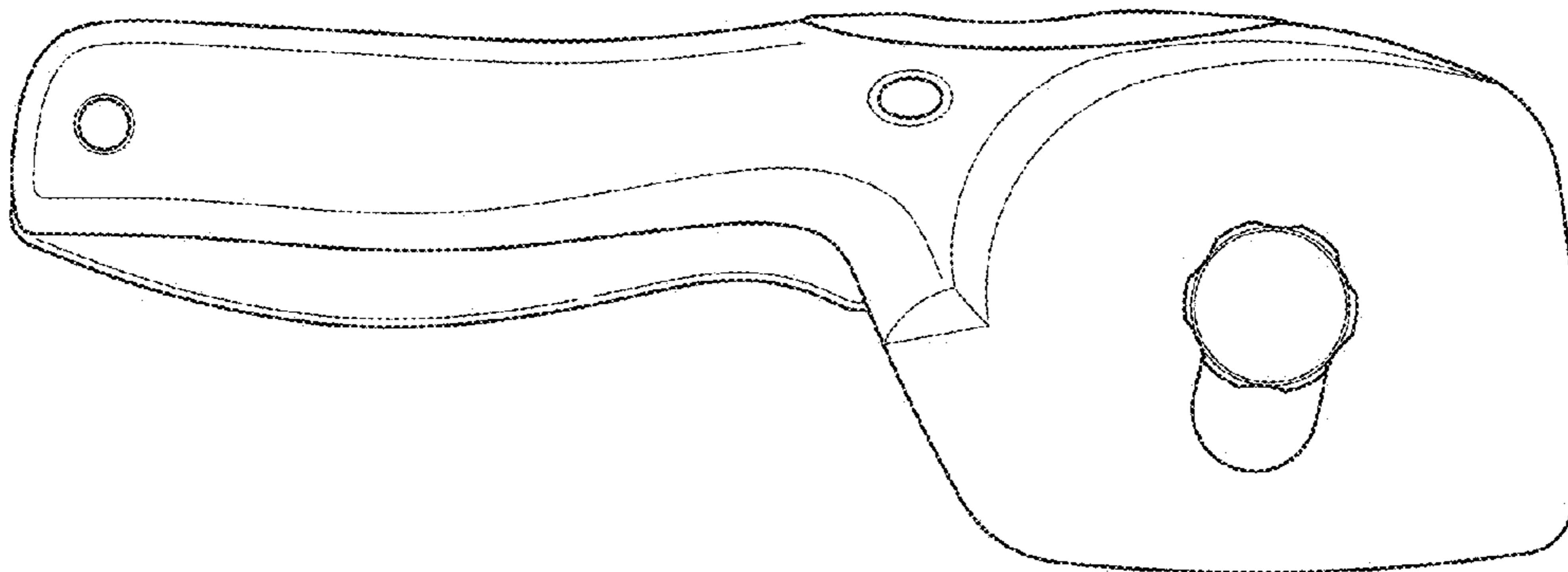


FIG. 3

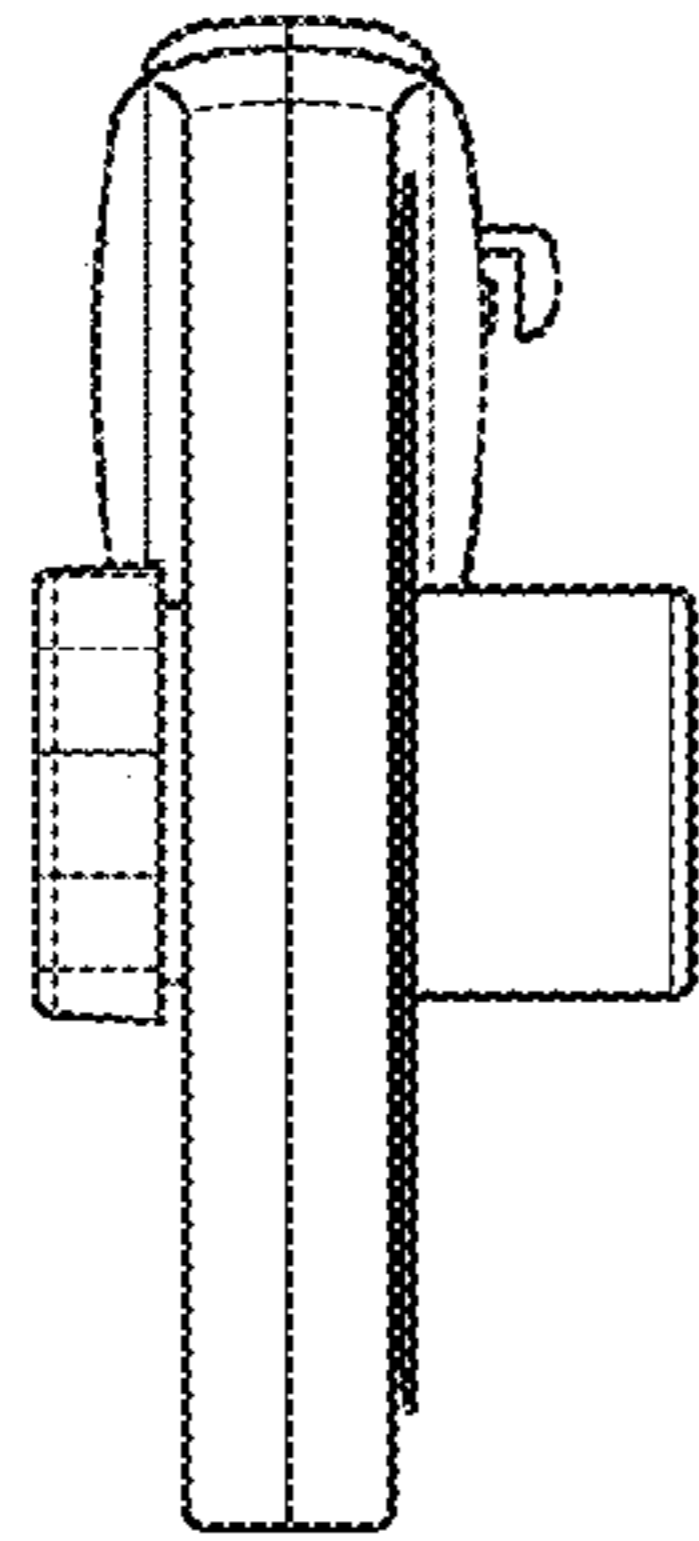


FIG. 4

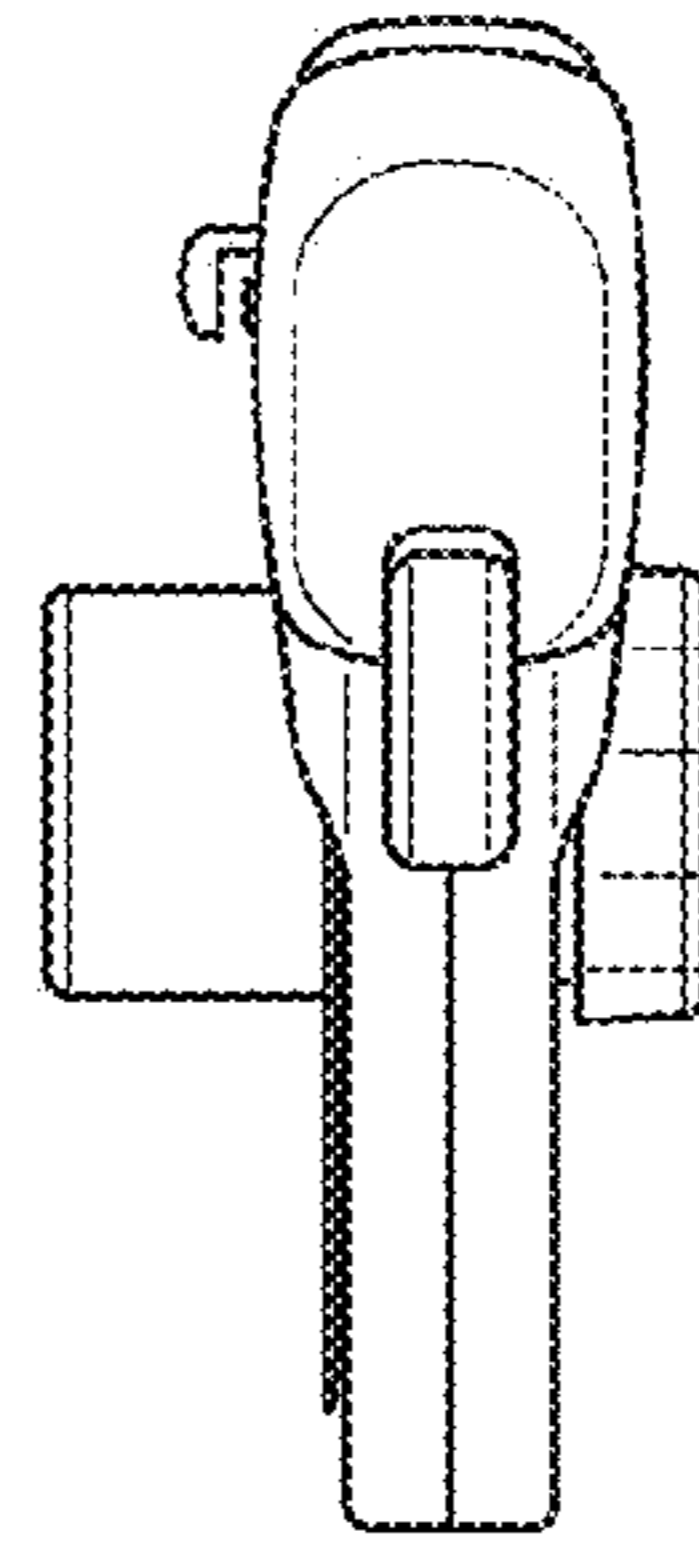


FIG. 5

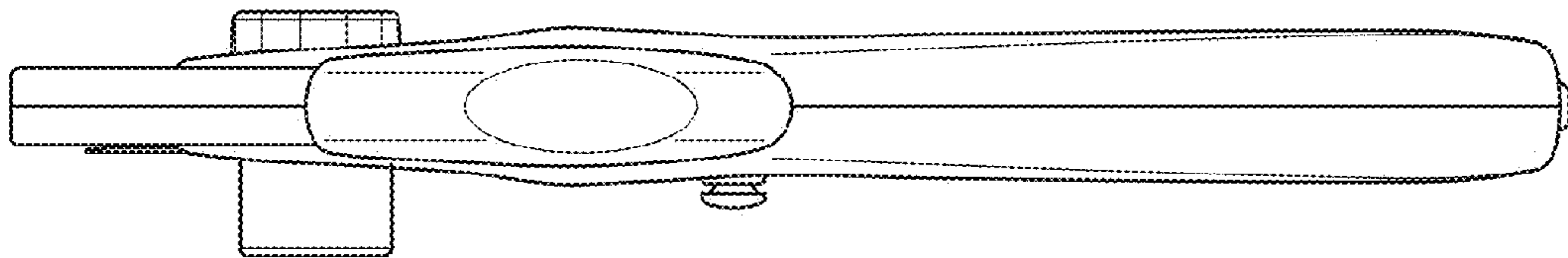


FIG. 6

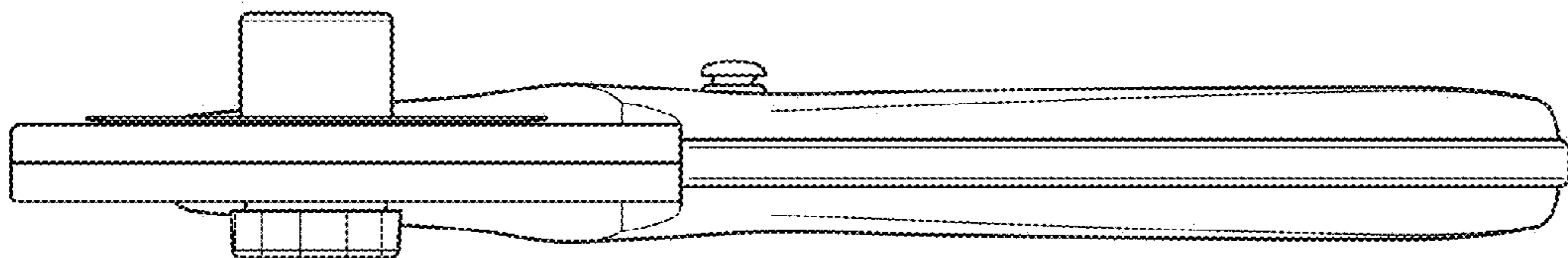


FIG. 7