



US00D756189S

(12) **United States Design Patent**  
**Liu**

(10) **Patent No.:** **US D756,189 S**  
(45) **Date of Patent:** **\*\* May 17, 2016**

- (54) **RATCHETING SCREWDRIVER**
- (71) Applicant: **Yi-Feng Liu**, New Taipei (TW)
- (72) Inventor: **Yi-Feng Liu**, New Taipei (TW)
- (\*\*) Term: **14 Years**
- (21) Appl. No.: **29/510,395**
- (22) Filed: **Nov. 26, 2014**
- (51) **LOC (10) Cl.** ..... **08-04**
- (52) **U.S. Cl.**  
USPC ..... **D8/85**
- (58) **Field of Classification Search**  
USPC ..... D8/82, 83, 84, 85, 105, 107  
CPC ..... B25G 1/063; B25G 1/08; B25G 1/085;  
B25B 9/00; Y10S 7/901; Y10S 7/90  
See application file for complete search history.

7,182,002	B2 *	2/2007	Hu	.....	B25G 1/08	7/165
7,207,246	B2 *	4/2007	Hu	.....	B25G 1/085	81/177.4
D572,105	S *	7/2008	Brockman	.....	D8/83	
D657,225	S *	4/2012	Chen	.....	D8/83	
8,534,166	B2 *	9/2013	Hsu	.....	B25G 1/085	81/177.4

\* cited by examiner

*Primary Examiner* — Philip S Hyder

(74) *Attorney, Agent, or Firm* — Muncy, Geissler, Olds & Lowe, P.C.

(57) **CLAIM**

The ornamental design for a ratcheting screwdriver, as shown and described.

**DESCRIPTION**

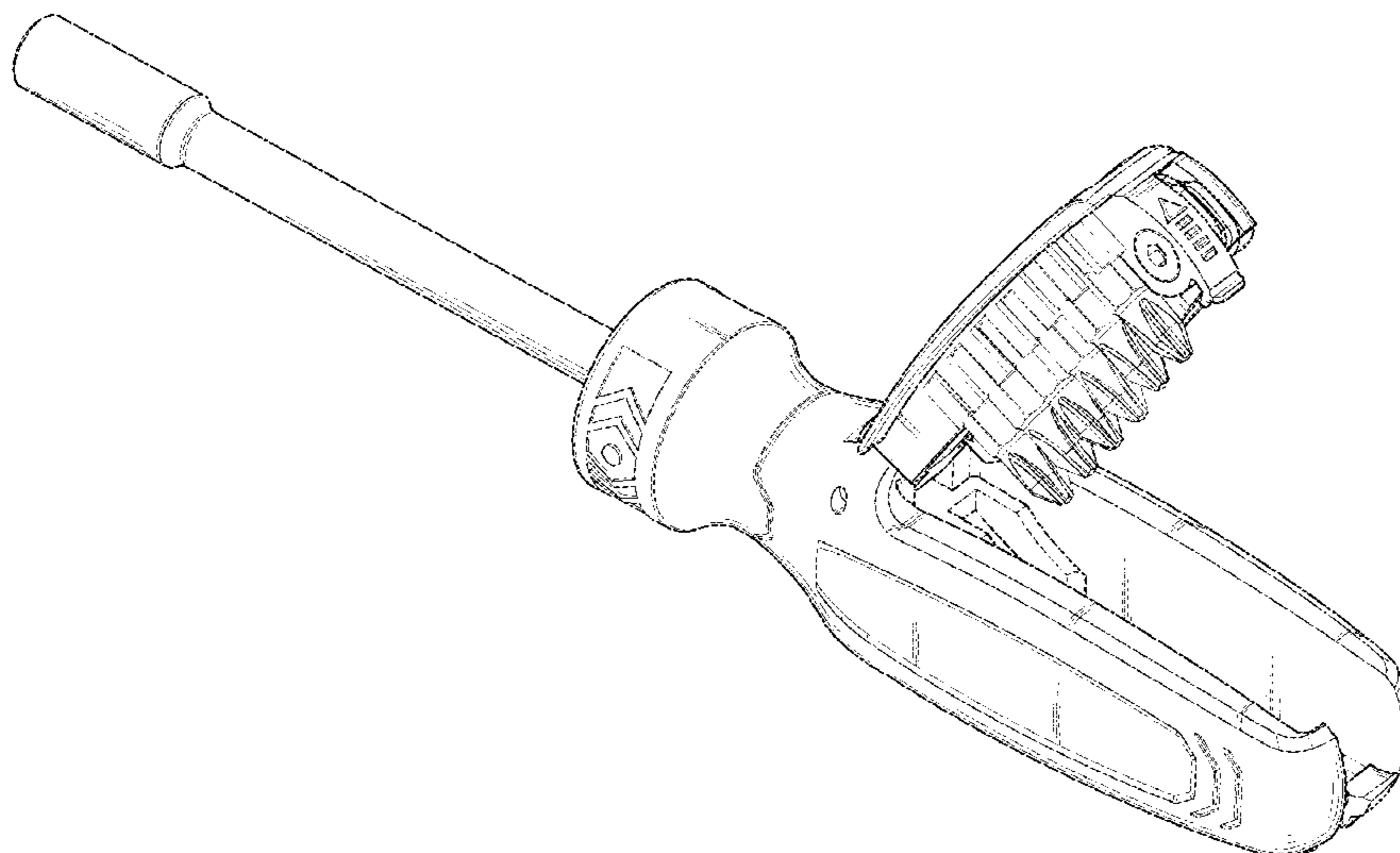
FIG. 1 is a perspective view of a ratcheting screwdriver showing my new design;  
 FIG. 2 is a front side elevation view thereof;  
 FIG. 3 is a rear perspective view thereof;  
 FIG. 4 is a left side elevation view thereof;  
 FIG. 5 is a right side elevation view thereof;  
 FIG. 6 is a top view thereof;  
 FIG. 7 is a bottom plan view;  
 FIG. 8 is a perspective view in another direction thereof; and,  
 FIG. 9 is another perspective view thereof, with the blade in an open position.  
 The broken lines depict portions of the ratcheting screwdriver in which the design is embodied that are not considered part of the claimed design.

**1 Claim, 8 Drawing Sheets**

(56) **References Cited**

U.S. PATENT DOCUMENTS

5,499,562	A *	3/1996	Feng	.....	B25G 1/085	81/177.4
5,896,606	A *	4/1999	Huang	.....	B25B 9/00	7/165
6,243,902	B1 *	6/2001	Huang	.....	B25G 1/085	7/165
6,305,815	B1 *	10/2001	Lin	.....	B25G 1/043	362/119
7,051,626	B1 *	5/2006	Chen	.....	B25G 1/085	403/290



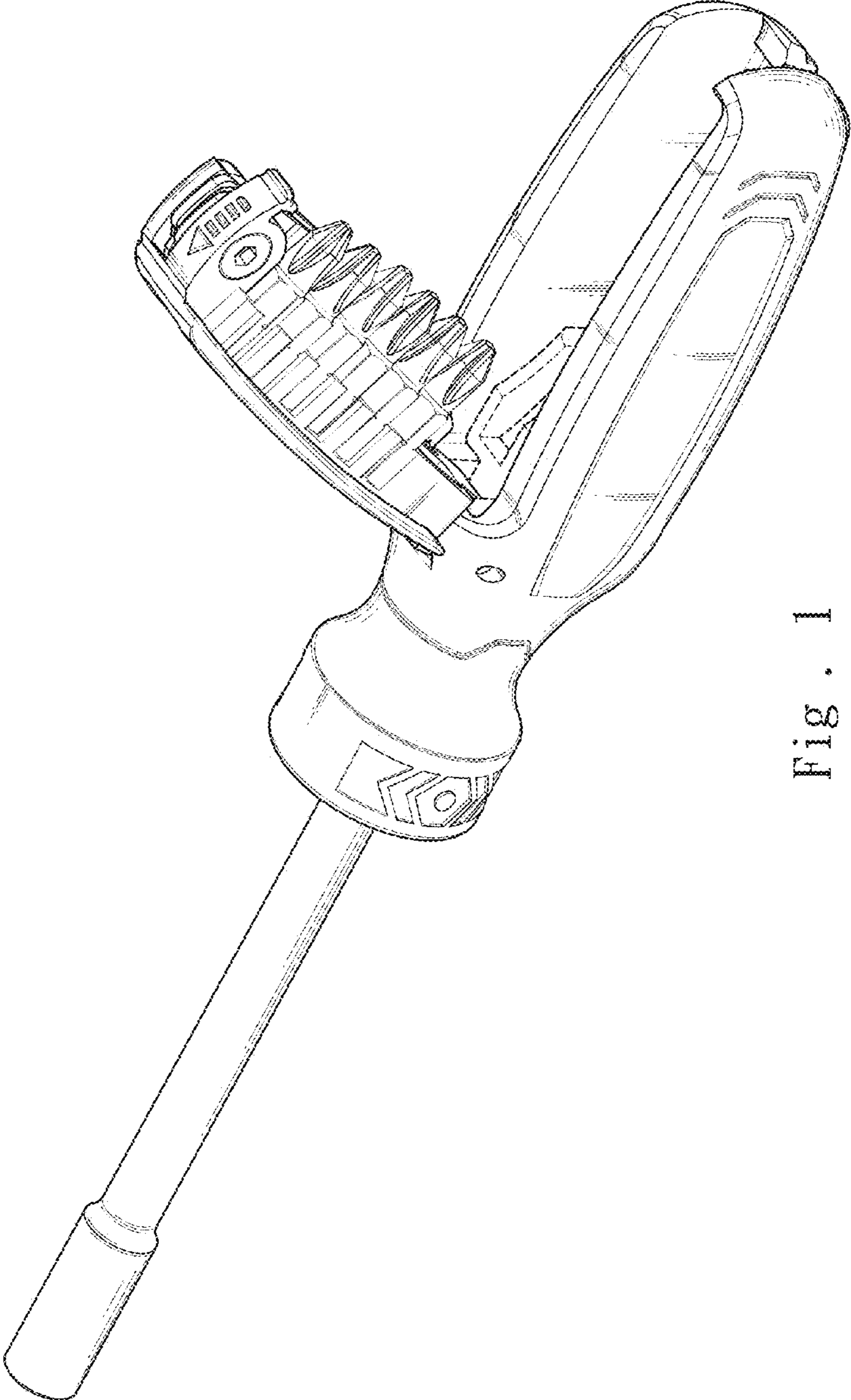


Fig. 1

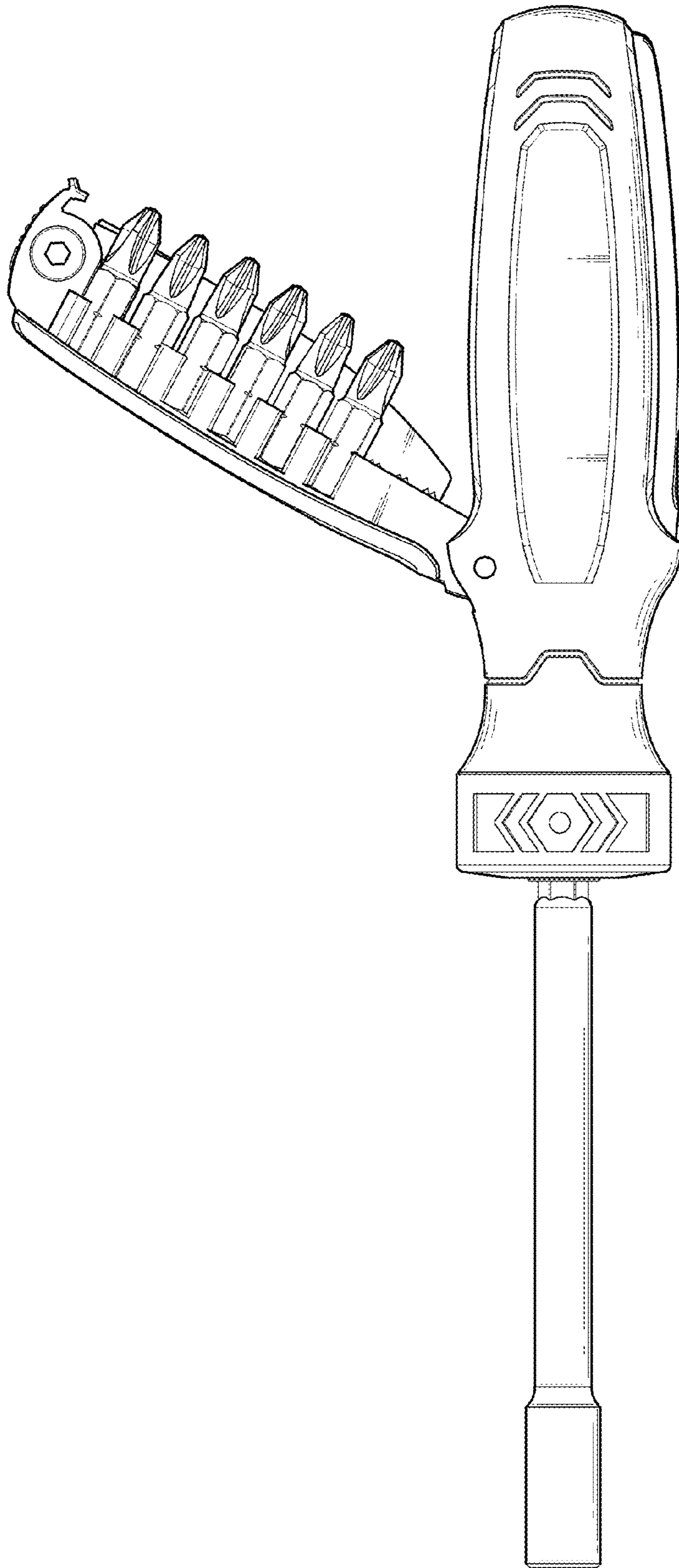


Fig. 2

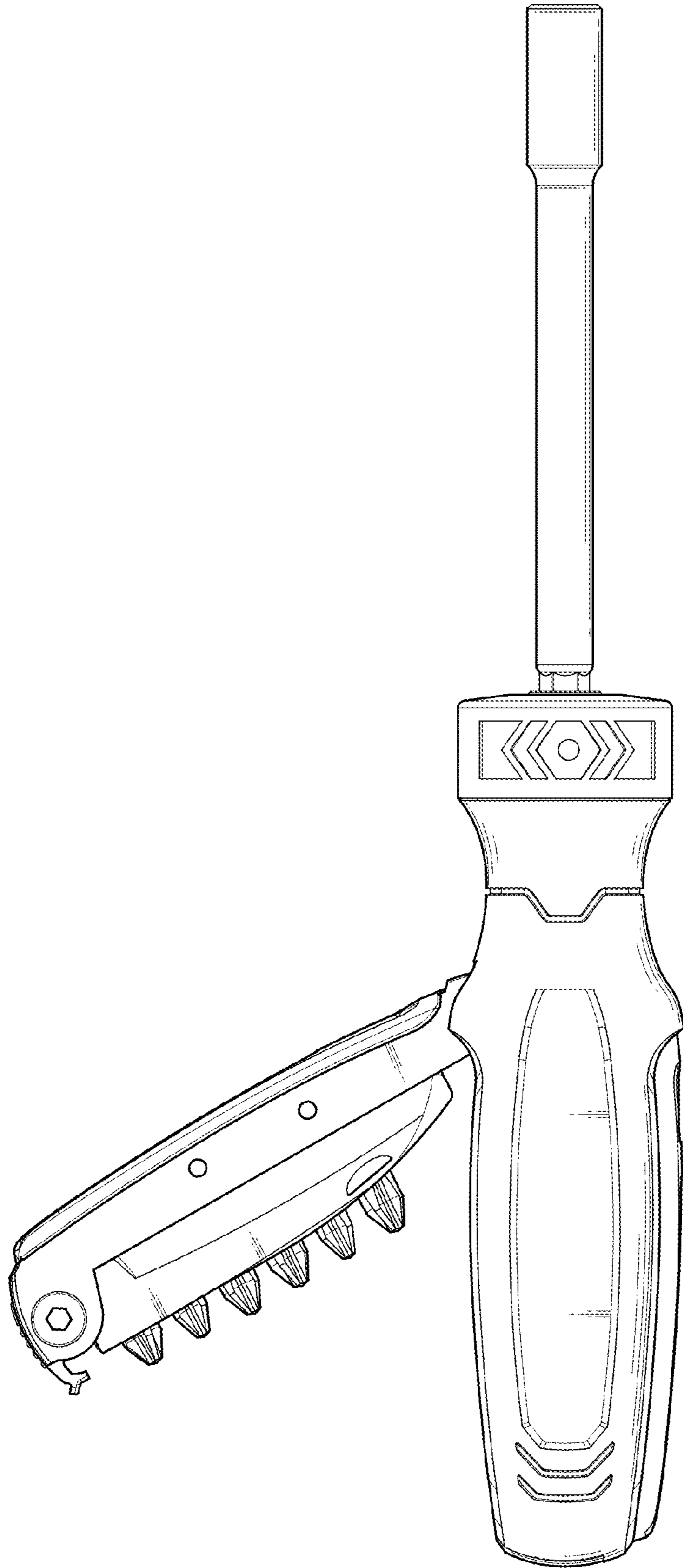


Fig. 3



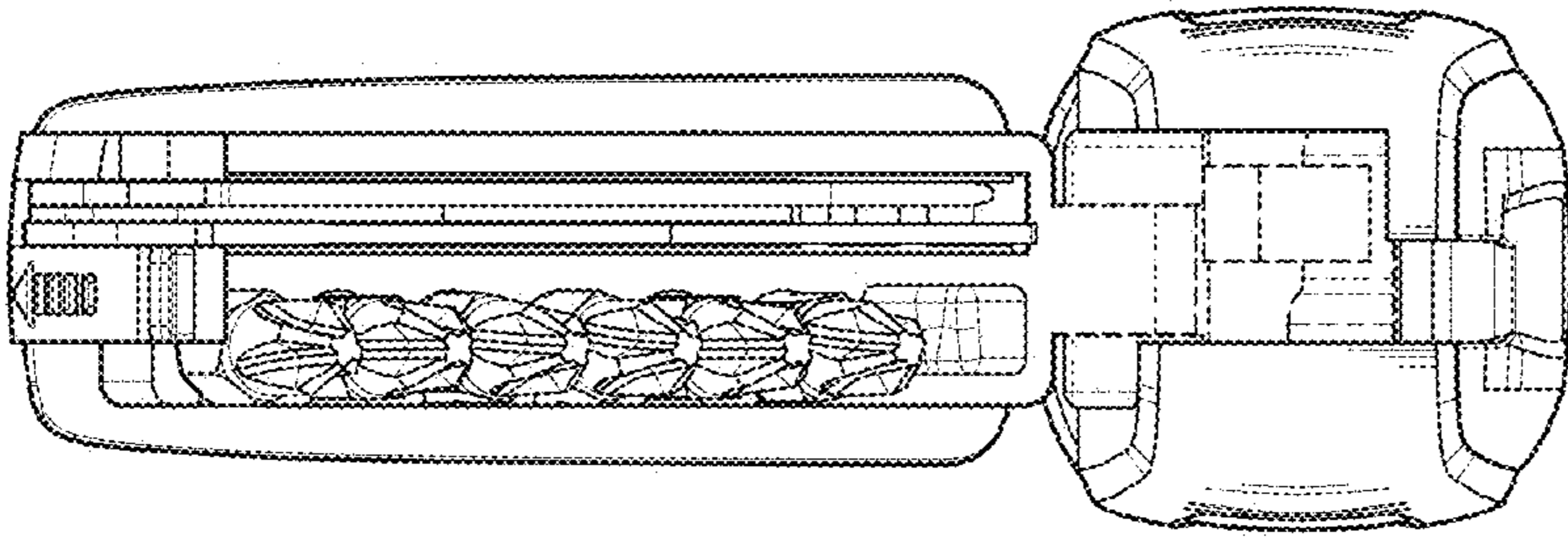


Fig. 5

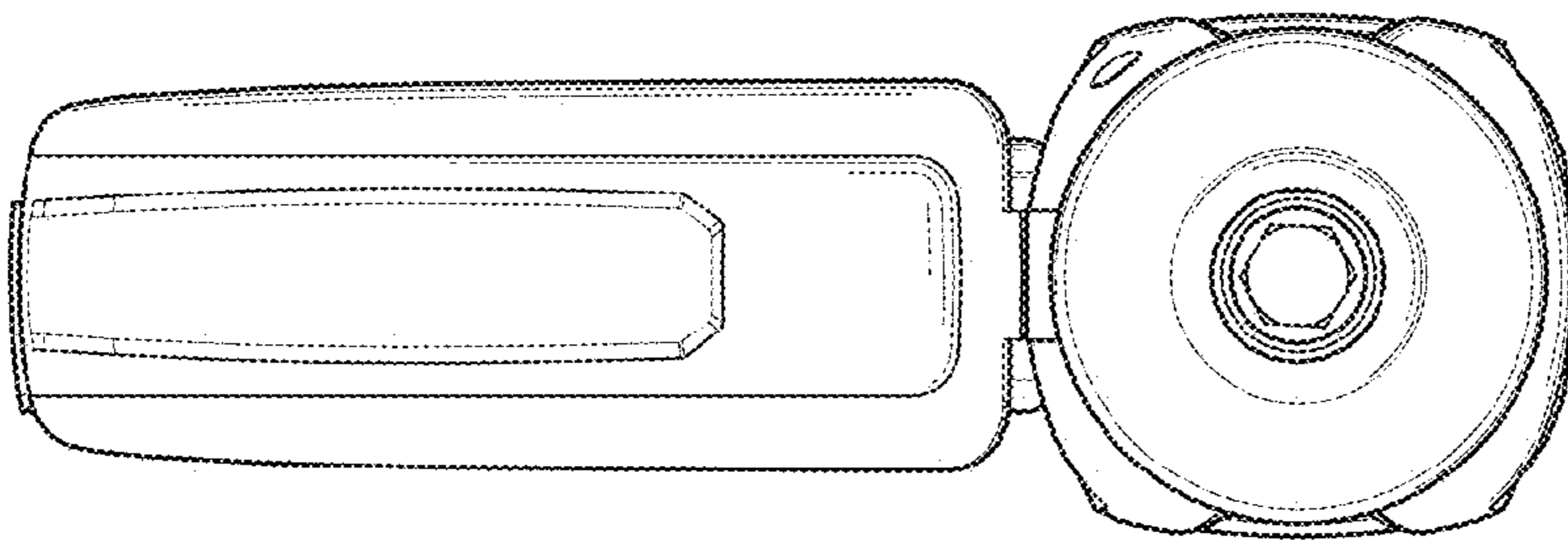


Fig. 4

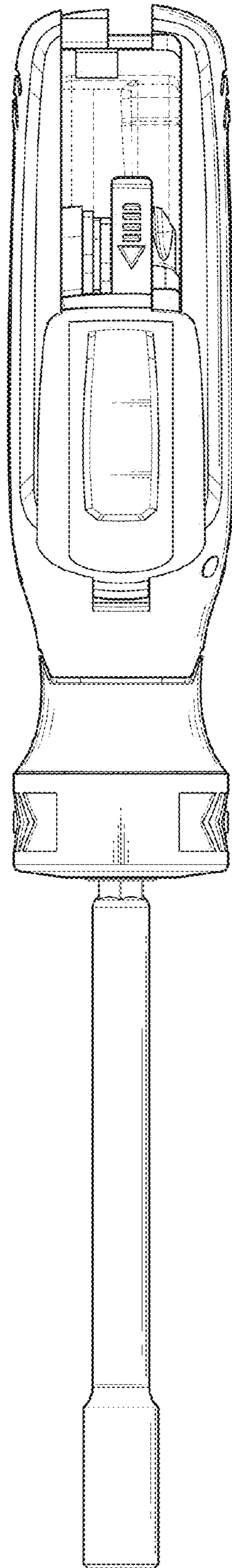


Fig. 6

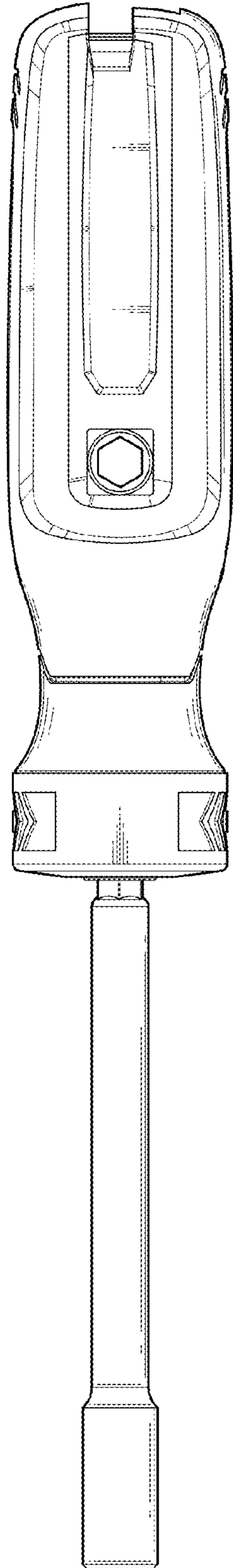


Fig . 7

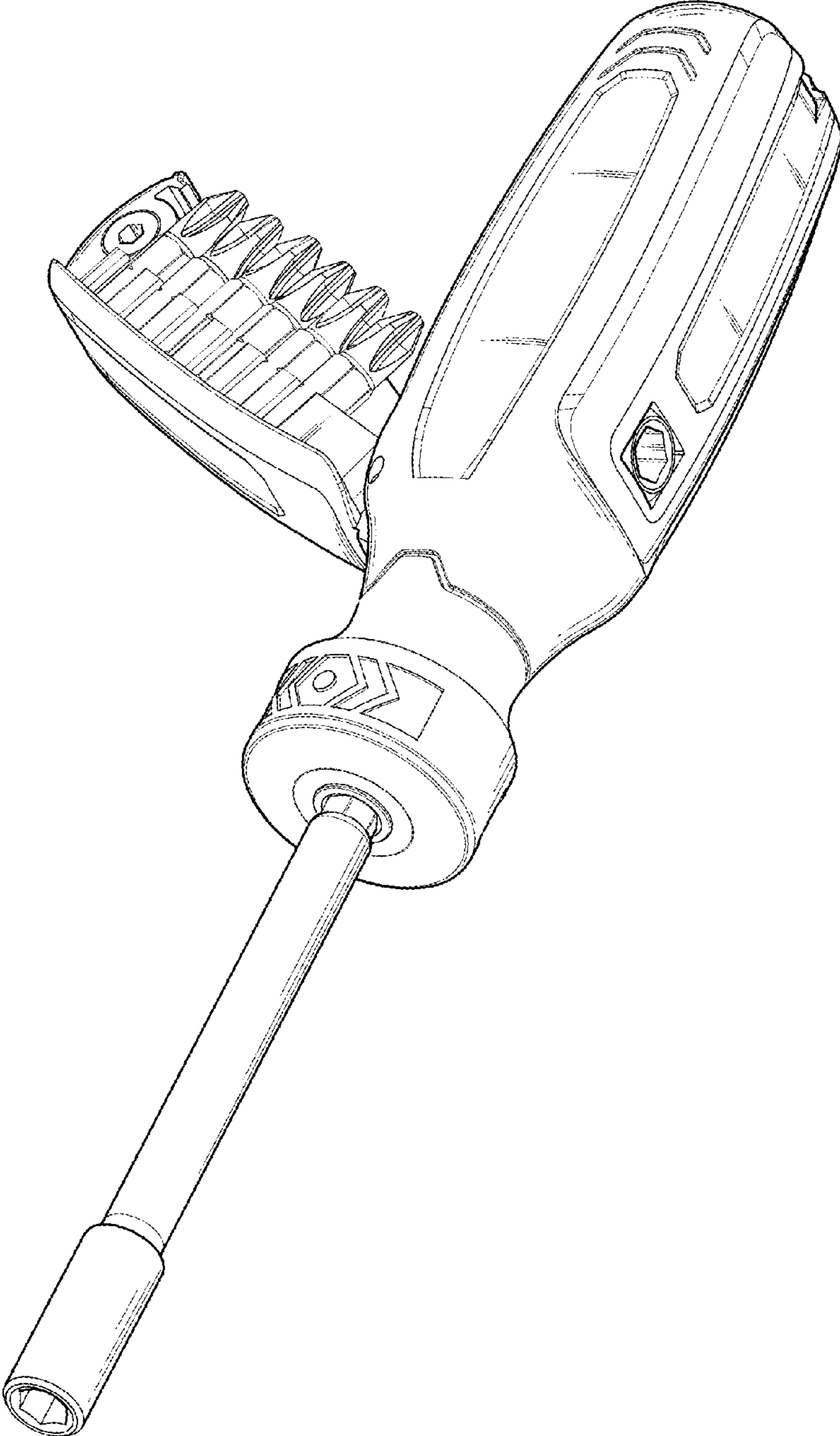


Fig . 8



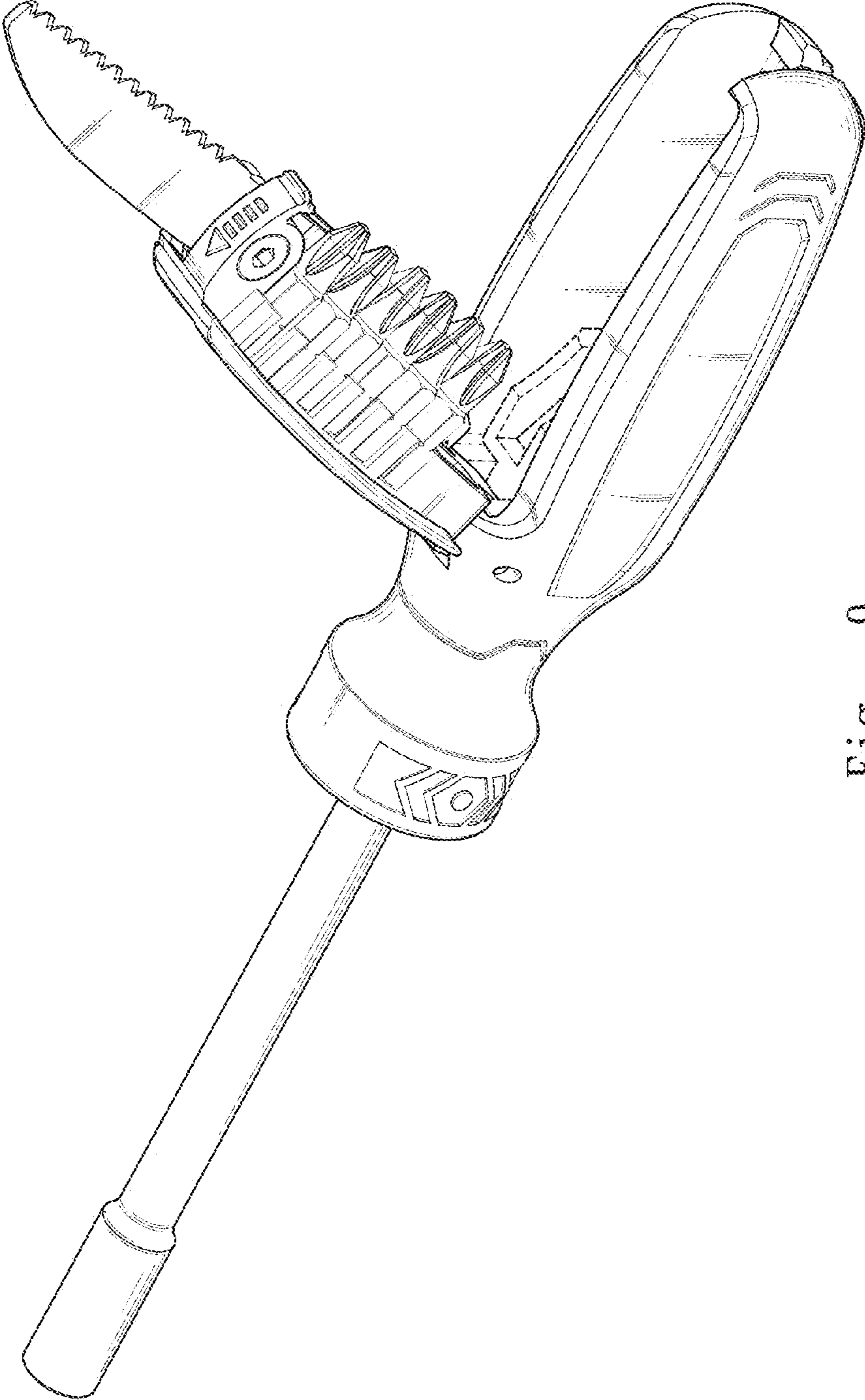


Fig. 9