

US00D756188S

(12) **United States Design Patent**
Elofsson et al.

(10) **Patent No.:** **US D756,188 S**

(45) **Date of Patent:** **** May 17, 2016**

(54) **ELECTRIC DRIVER TOOL**

(71) Applicant: **ATLAS COPCO INDUSTRIAL
TECHNIQUE AB**, Stockholm (SE)

(72) Inventors: **Jonas Kjell Elofsson**, Sorunda (SE);
Anders Hannu, Västerås (SE); **Karl
Göran Johansson**, Södertälje (SE); **Ola
Petter Nyström**, Stockholm (SE)

(73) Assignee: **ATLAS COPCO INDUSTRIAL
TECHNIQUE AB**, Stockholm (SE)

(**) Term: **14 Years**

(21) Appl. No.: **29/526,651**

(22) Filed: **May 12, 2015**

(30) **Foreign Application Priority Data**

Dec. 16, 2014 (SE) 002598557-0003

(51) **LOC (10) Cl.** **08-01**

(52) **U.S. Cl.**
USPC **D8/61**

(58) **Field of Classification Search**
USPC D8/61, 62, 67, 69; 81/57, 57.11, 57.14,
81/57.26, 429, 464, 469; 173/2, 170, 176,
173/181
CPC B25B 21/00; F16D 41/206; B25F 5/001
See application file for complete search history.

(56) **References Cited**

U.S. PATENT DOCUMENTS

5,802,936 A * 9/1998 Liu B25B 13/56
81/177.4

D565,916 S * 4/2008 Chen D8/61
D572,104 S * 7/2008 Brown D8/107
D576,465 S * 9/2008 Brown D8/83
D577,974 S * 10/2008 Miller D8/70
D586,195 S * 2/2009 Okuda D8/61
D592,930 S * 5/2009 Cai D26/38
D618,079 S * 6/2010 Blythe D8/61
7,866,235 B2 * 1/2011 Hi B25G 1/066
81/177.7

(Continued)

OTHER PUBLICATIONS

Related U.S. Appl. No. 29/526,635, Filed: May 12, 2015, First
Named Inventor: Jonas Kjell Elofsson, Title: "Lamp Portion of an
Electric Driver Tool".

(Continued)

Primary Examiner — Austin Murphy

(74) *Attorney, Agent, or Firm* — Holtz, Holtz & Volek PC

(57) **CLAIM**

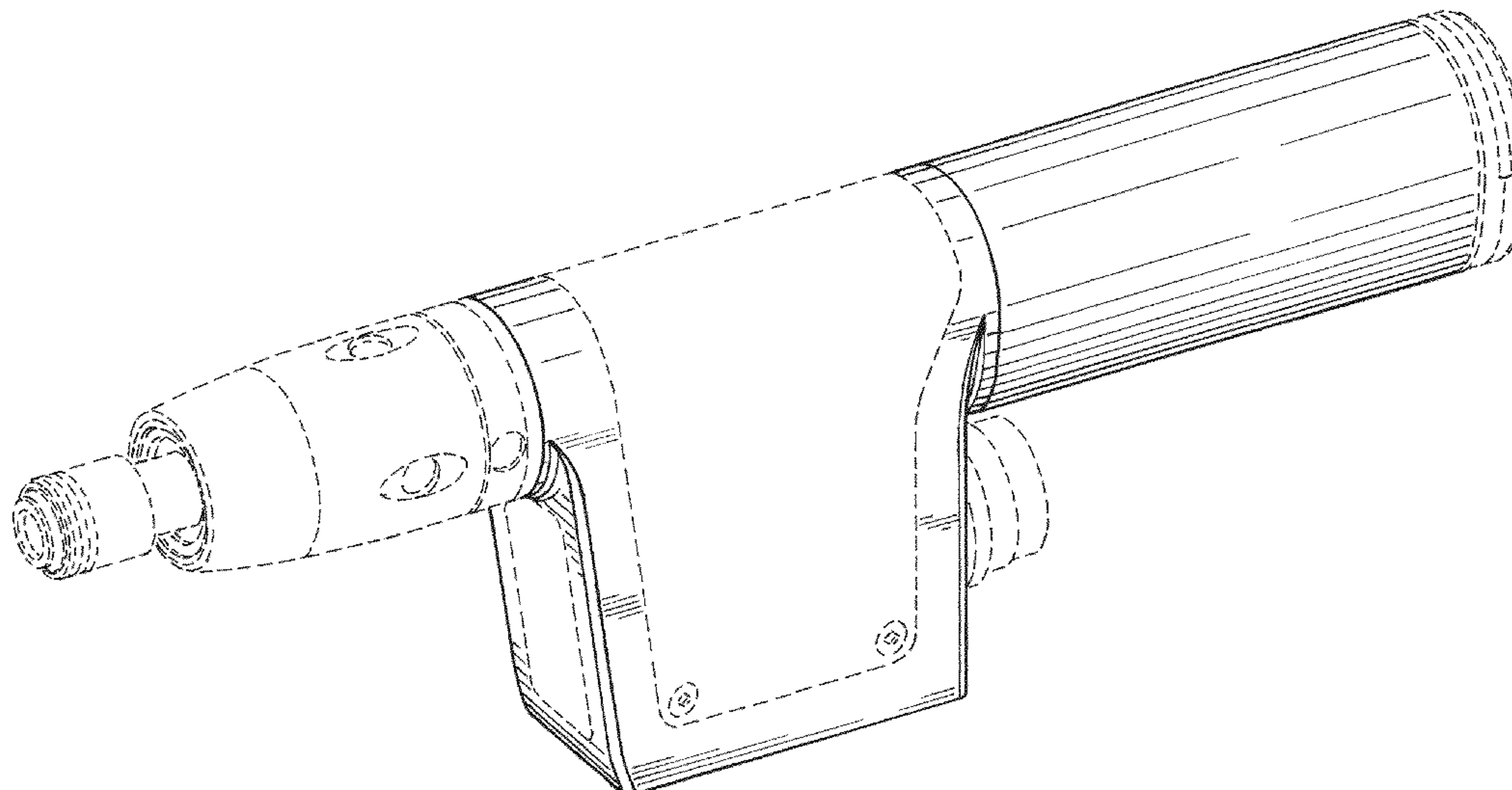
The ornamental design for an electric driver tool, as shown
and described.

DESCRIPTION

FIG. 1 is a top, front, right side perspective view of an electric
driver tool showing our new design;
FIG. 2 is a front elevational view thereof;
FIG. 3 is a rear elevational view thereof;
FIG. 4 is a left side elevational view thereof;
FIG. 5 is a right side elevational view thereof;
FIG. 6 is a top plan view thereof; and,
FIG. 7 is a bottom plan view thereof.

The broken lines shown in the drawings are shown for illus-
trative purposes only and form no part of the claimed design.

1 Claim, 5 Drawing Sheets



(56)

References Cited

9,089,955 B2* 7/2015 Johnson B25B 23/0028

U.S. PATENT DOCUMENTS

OTHER PUBLICATIONS

D634,998 S * 3/2011 Garfield D8/61
D663,180 S * 7/2012 Jerome D8/61
D689,354 S * 9/2013 Mitchell D8/61
D696,092 S * 12/2013 Yaschur D8/61
D702,522 S * 4/2014 Steinfels D8/61
D711,714 S * 8/2014 Sawaya D8/61
D715,615 S * 10/2014 Nagy D8/61
D720,196 S * 12/2014 Hsiao D8/61

Related U.S. Appl. No. 29/526,644, Filed: May 12, 2015, First
Named Inventor: Jonas Kjell Elofsson, Title: "Electric Driver Tool".
Related U.S. Appl. No. 29/526,656, Filed: May 12, 2015, First
Named Inventor: Jonas Kjell Elofsson, Title: "Electric Driver Tool".

* cited by examiner

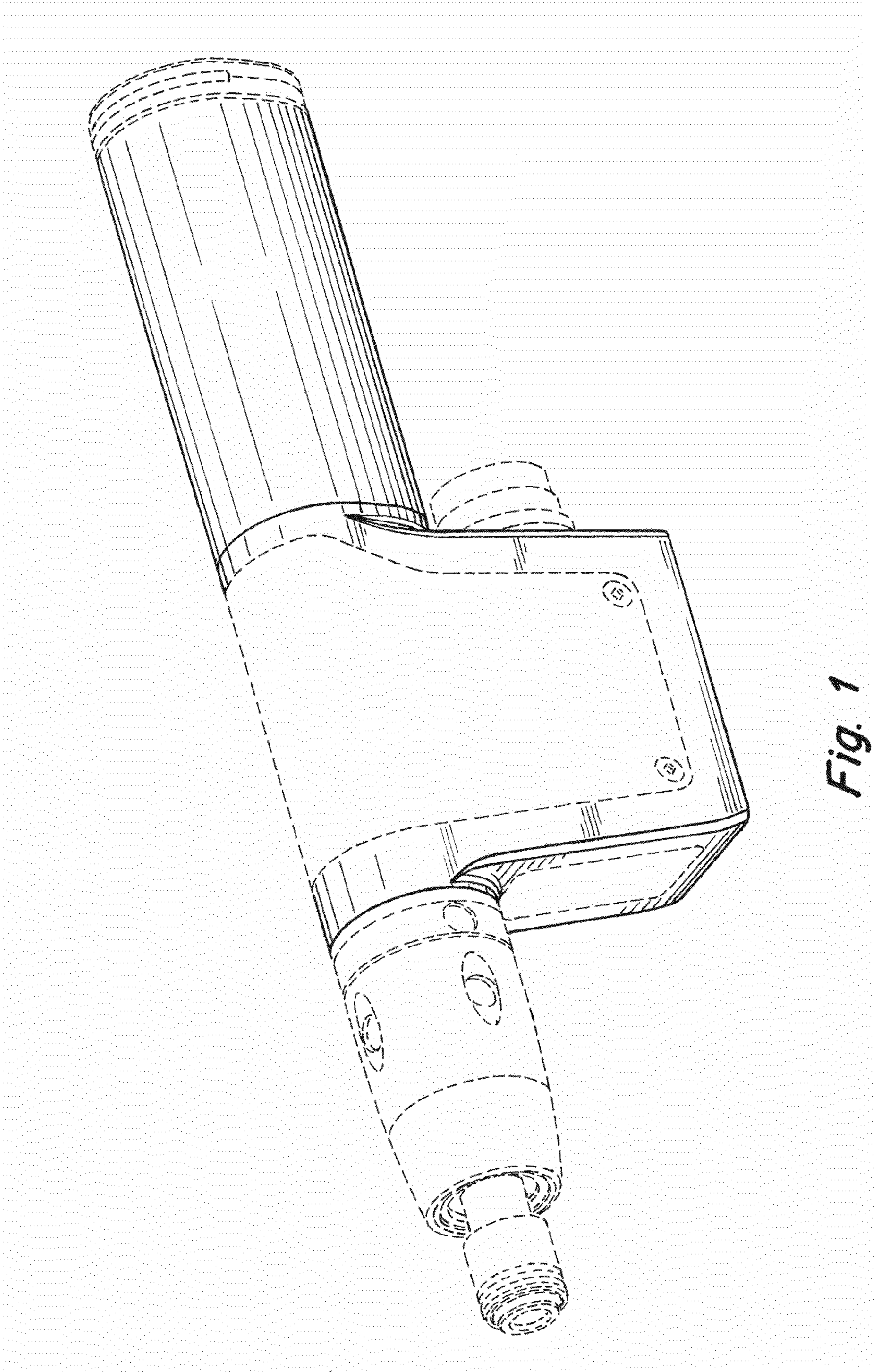


Fig. 1

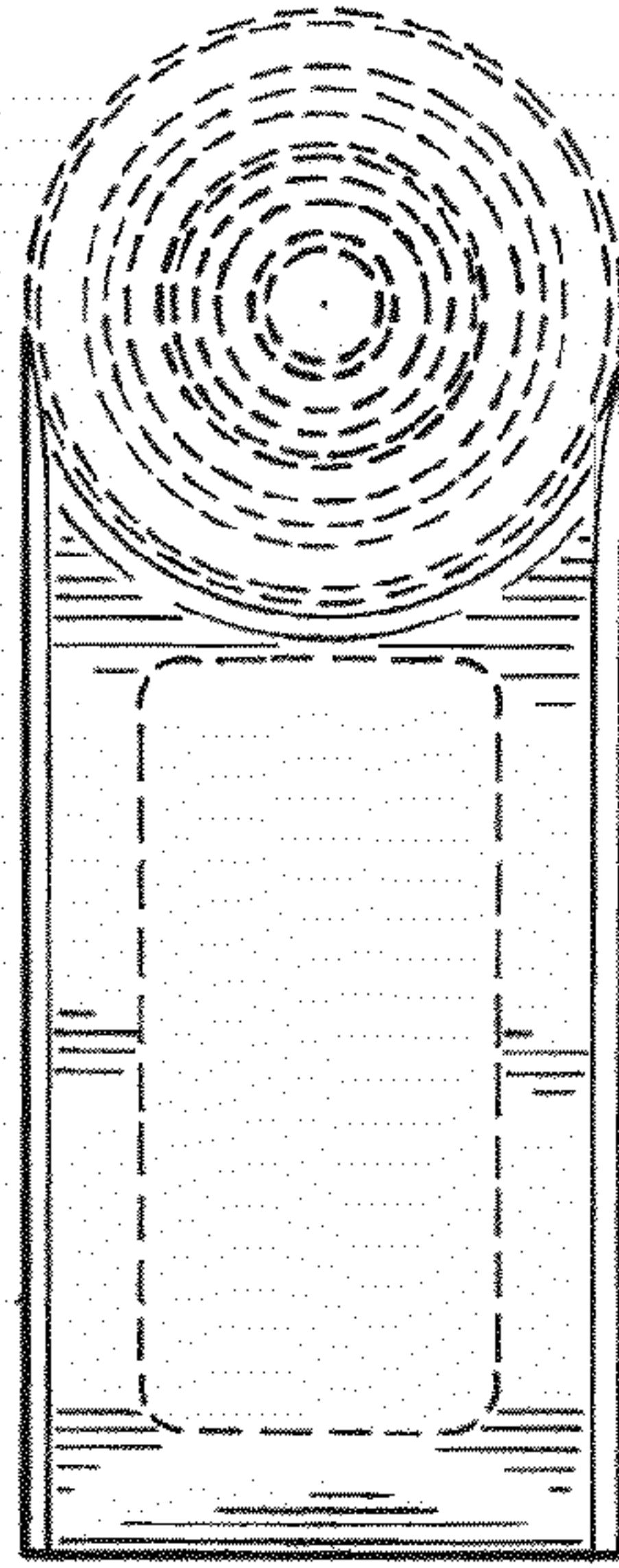


Fig. 2

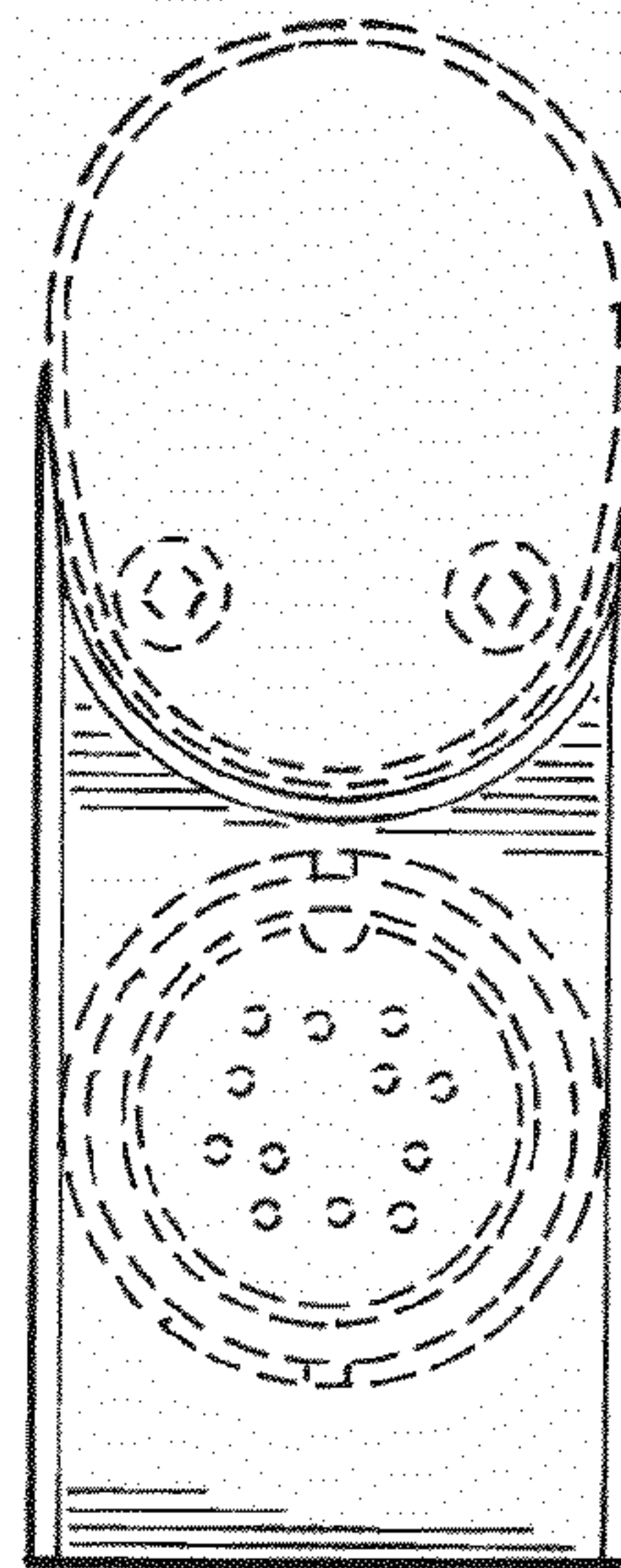


Fig. 3

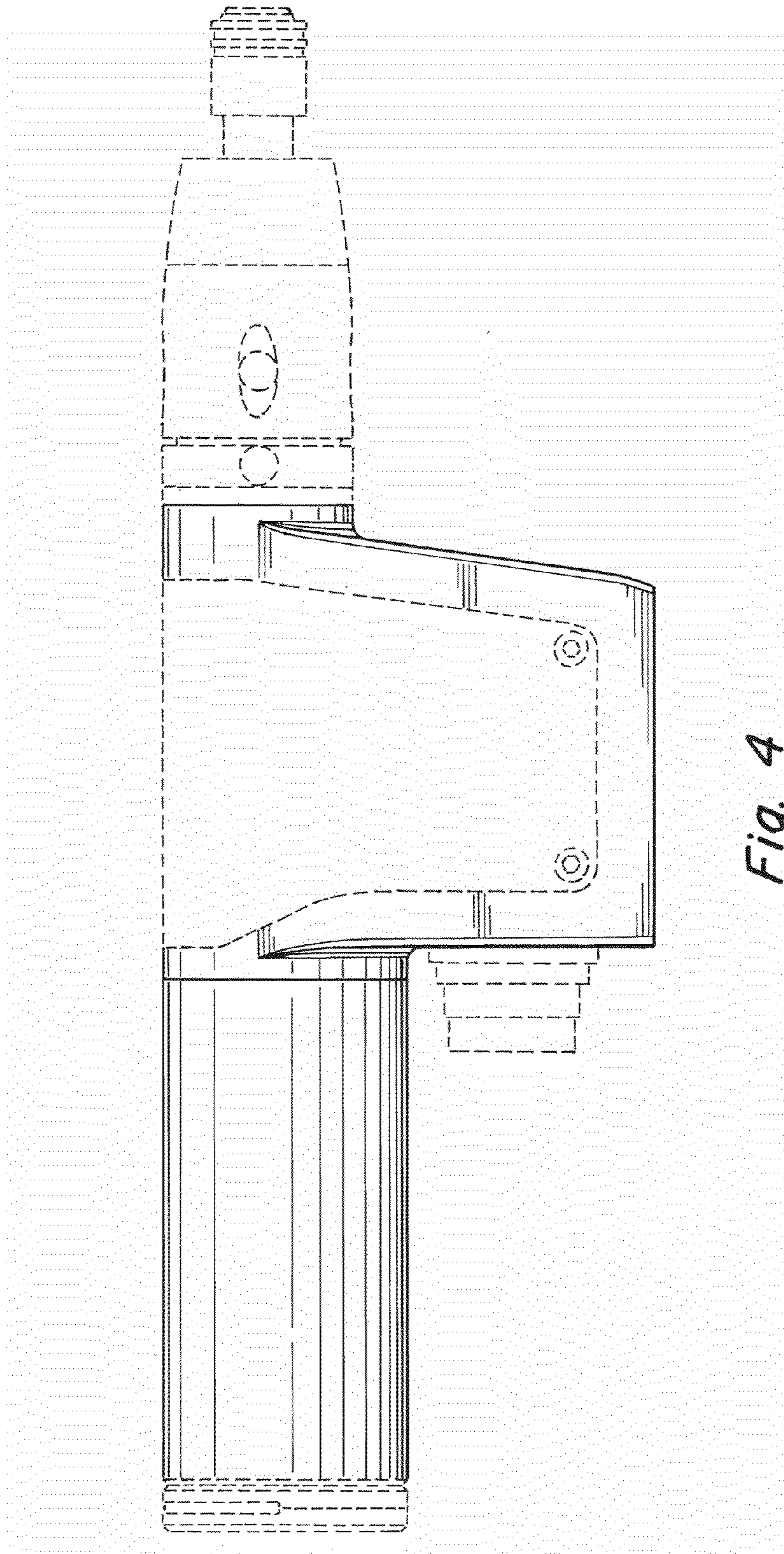


Fig. 4

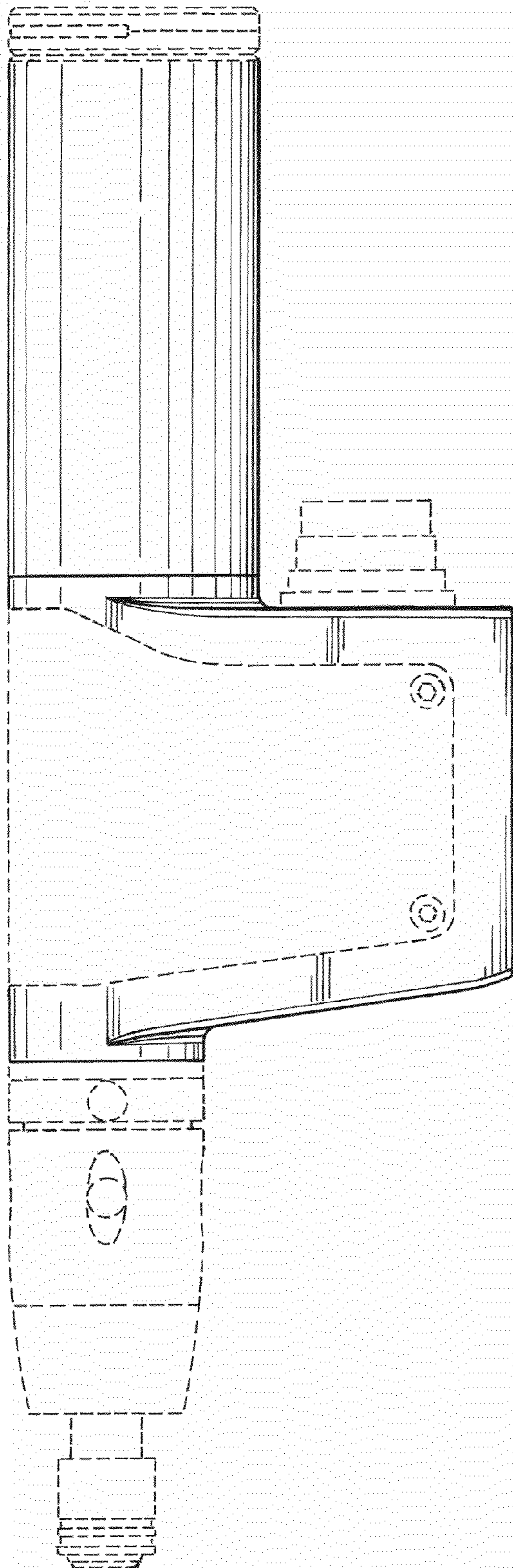


Fig. 5

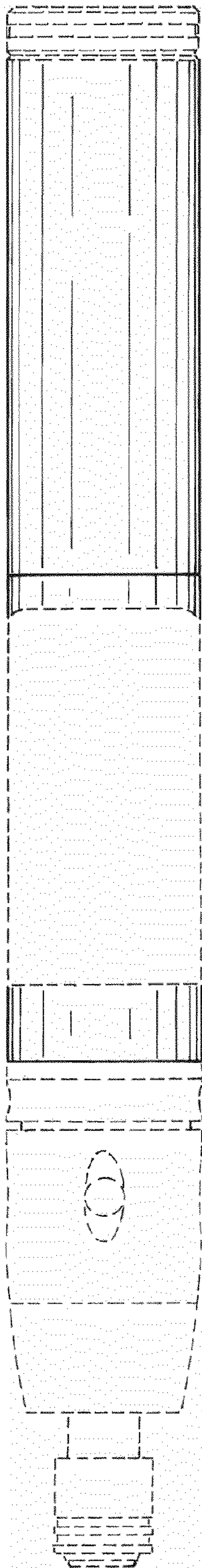


Fig. 6

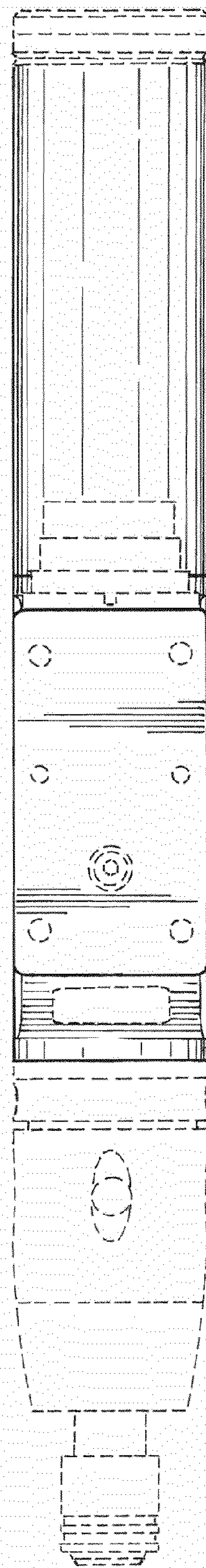


Fig. 7