



US00D756187S

(12) **United States Design Patent**
Ullbors

(10) **Patent No.:** **US D756,187 S**
(45) **Date of Patent:** **** May 17, 2016**

(54) **ADJUSTABLE CRIMPING GUIDE DIE**

(71) Applicant: **Pressmaster AB**, Älvdalen (SE)

(72) Inventor: **Daniel Ullbors**, Mora (SE)

(73) Assignee: **Pressmaster AB**, Älvdalen (SE)

(**) Term: **14 Years**

(21) Appl. No.: **29/507,627**

(22) Filed: **Oct. 29, 2014**

(30) **Foreign Application Priority Data**

Jul. 11, 2014 (EM) 002501338-0002

(51) **LOC (10) Cl.** **08-05**

(52) **U.S. Cl.**
USPC **D8/52**

(58) **Field of Classification Search**
USPC D14/300–302, 314, 348–370, 383–385,
D14/435, 496, 125, 135, 155, 240–242,
D14/299; D13/103, 119, 162, 184, 199,
D13/147, 158, 123; D10/65, 75, 78;
D9/432; D3/273; D8/51–52, 56,
D8/60–61, 107, 360.1
CPC H01R 4/32; H01R 4/60; H01R 4/36;
H01R 11/12; H01R 4/363; H01R 4/366;
H01R 4/301; G11B 33/027; G11B 33/122;
G11B 33/124; G11B 33/022; G11B 33/025
See application file for complete search history.

(56) **References Cited**

U.S. PATENT DOCUMENTS

D234,920 S * 4/1975 Koster et al. D10/106.1
D253,702 S * 12/1979 Alcalá D14/370
4,203,488 A * 5/1980 Johnson H01L 23/4093
165/80.3
D286,396 S * 10/1986 Luciano D13/179

D301,334 S * 5/1989 Dupasquier D13/179
D314,567 S * 2/1991 Ichitsubo D14/367
D317,907 S * 7/1991 McCarthy D13/179
D339,110 S * 9/1993 Steen, Jr. D13/179
D352,941 S * 11/1994 Bolton, Jr. D13/184
D372,460 S * 8/1996 Aramaki D13/147
D547,269 S * 7/2007 Sugita D13/133
7,242,973 B2 * 7/2007 Saitoh H04M 1/0262
379/428.01
D548,189 S * 8/2007 Hetzer D13/147
D567,775 S * 4/2008 Simon D13/184
D575,735 S * 8/2008 Foreman D13/119
D585,371 S * 1/2009 Foreman D13/119
D585,372 S * 1/2009 Foreman D13/119
D616,817 S * 6/2010 Walker D13/108
D617,283 S * 6/2010 Wang D13/147
2011/0269354 A1 * 11/2011 Falchetti H01R 11/283
439/772

* cited by examiner

Primary Examiner — Rosemary K Tarcza

Assistant Examiner — Nathaniel D Buckner

(74) *Attorney, Agent, or Firm* — Studebaker & Brackett PC

(57) **CLAIM**

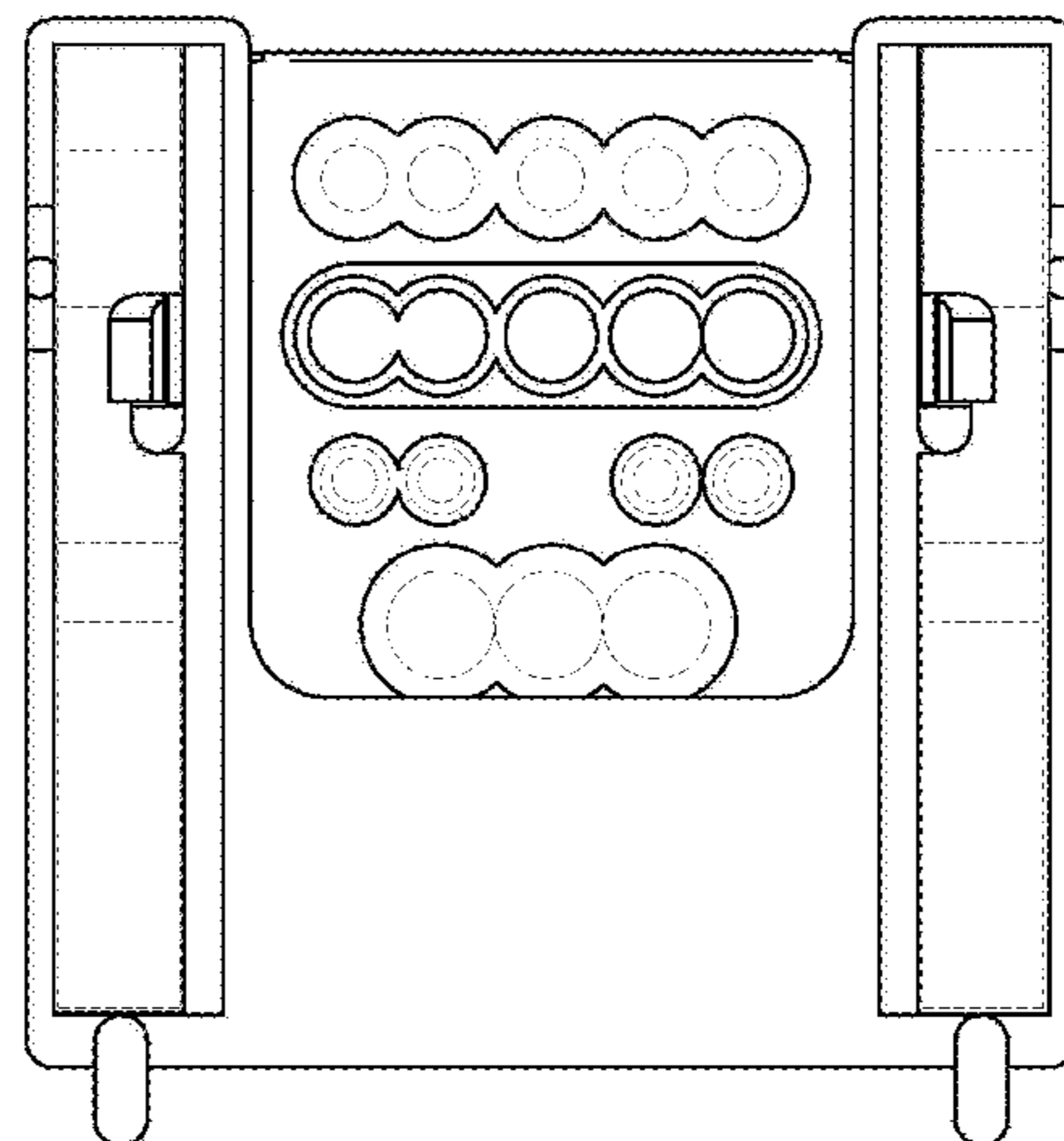
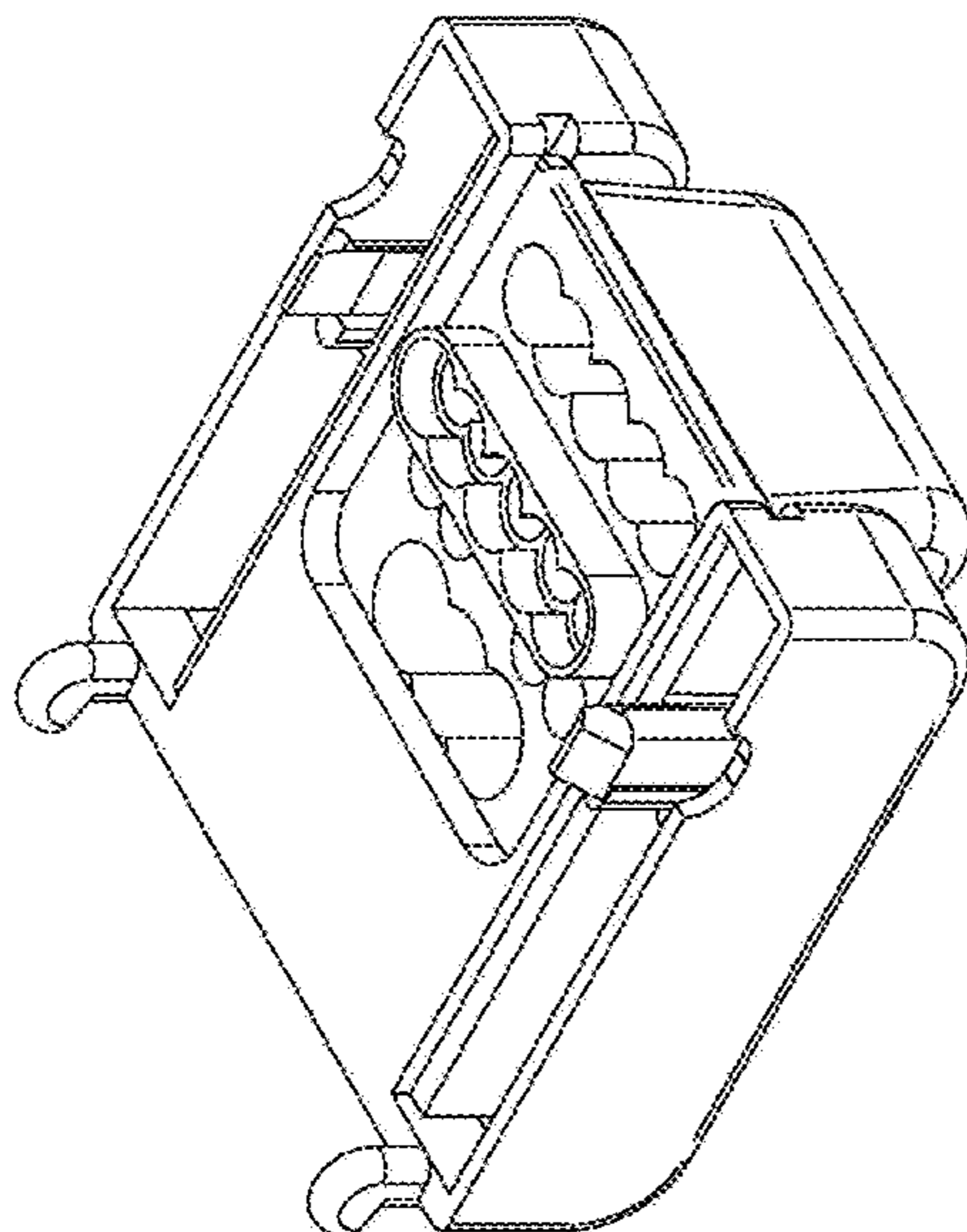
The ornamental design for an adjustable crimping guide die, as shown and described.

DESCRIPTION

FIG. 1 is a perspective view showing my new design for an adjustable crimping guide die.
FIG. 2 is a front view thereof,
FIG. 3 is a rear view thereof,
FIG. 4 is a right side view thereof,
FIG. 5 is a left side view thereof,
FIG. 6 is a top view thereof; and,
FIG. 7 is a bottom thereof.

The broken lines shown in the drawings are included for the purpose of illustrating environmental structure and form no part of the claimed design.

1 Claim, 7 Drawing Sheets



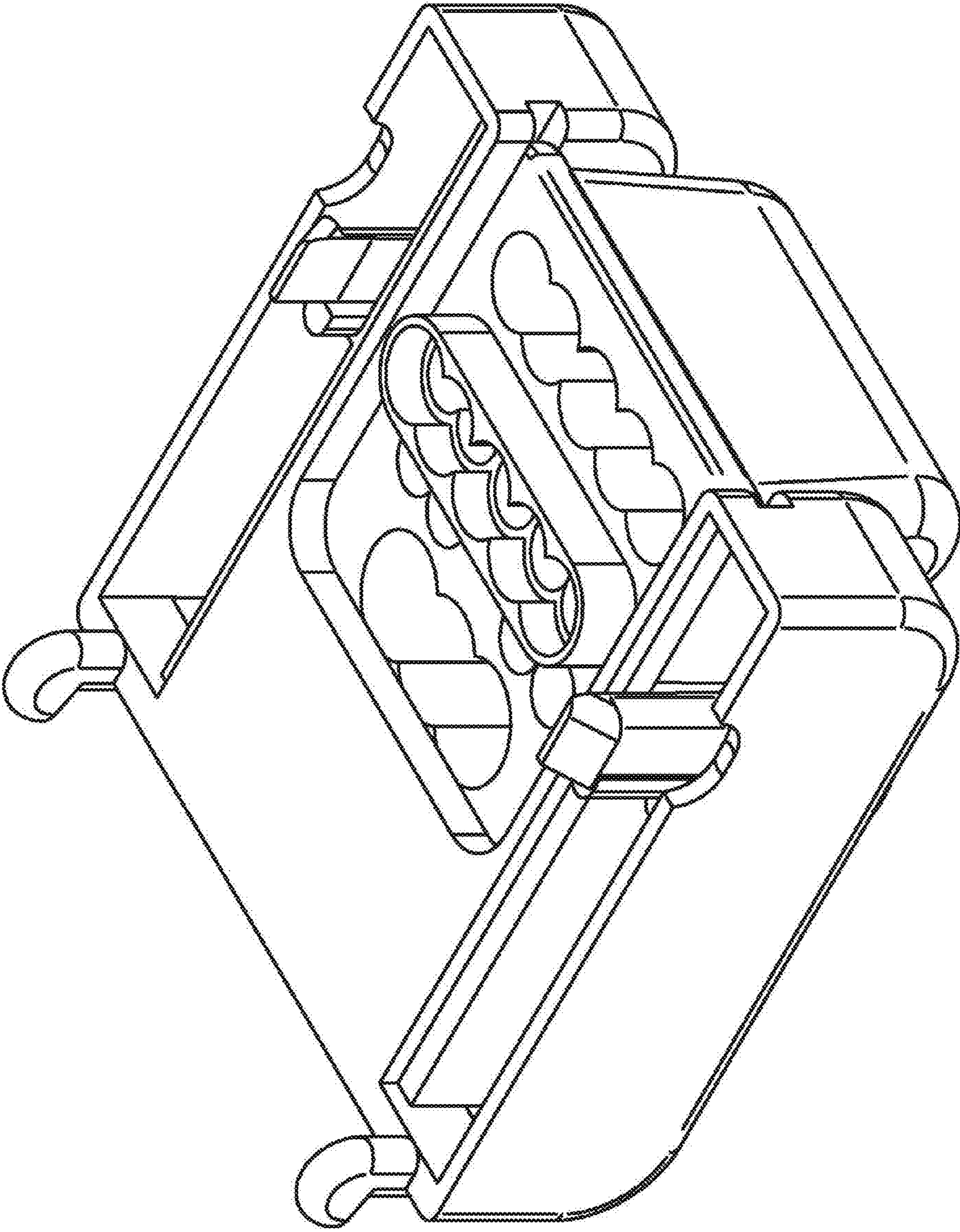


FIG. 1

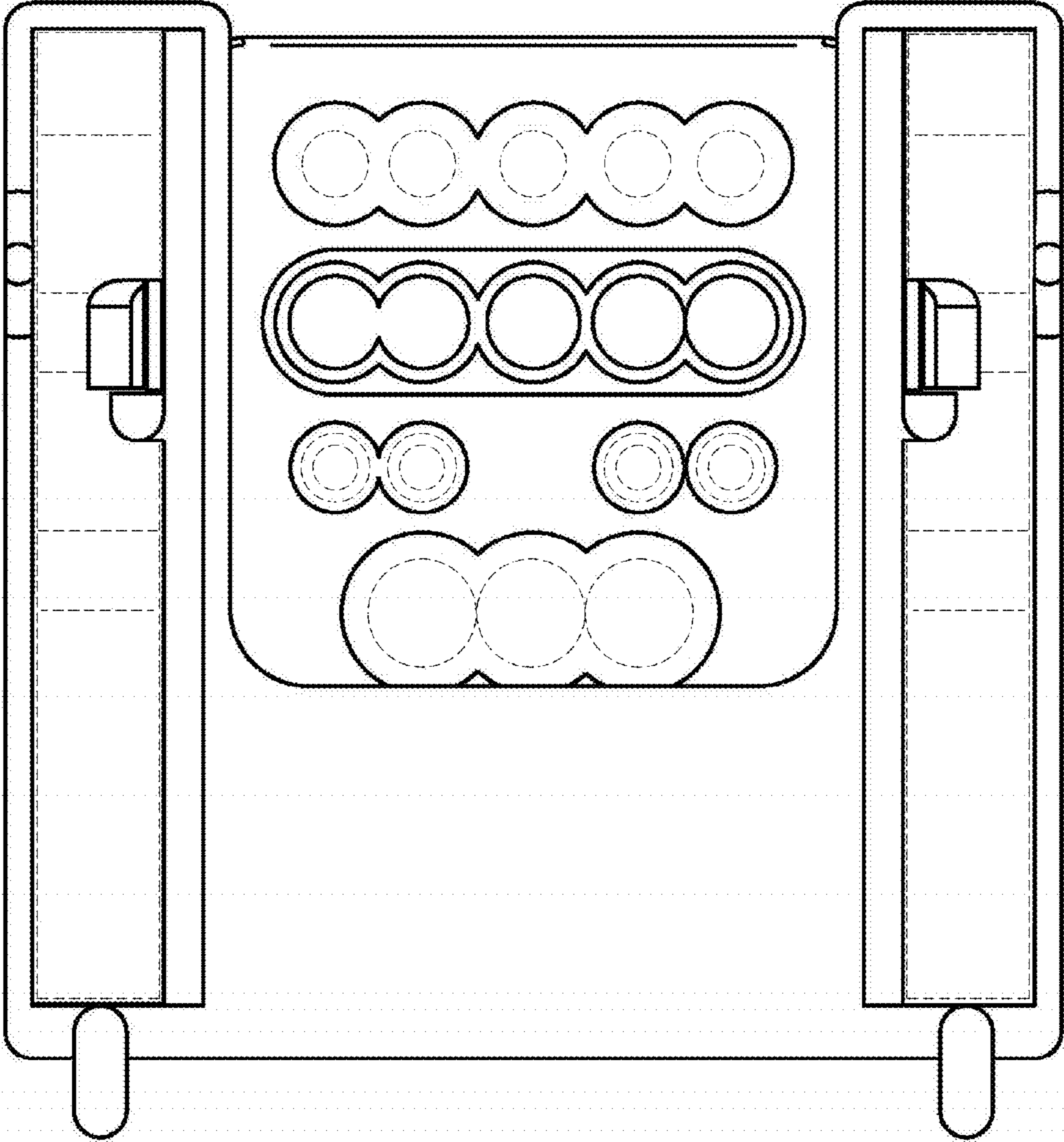


FIG. 2

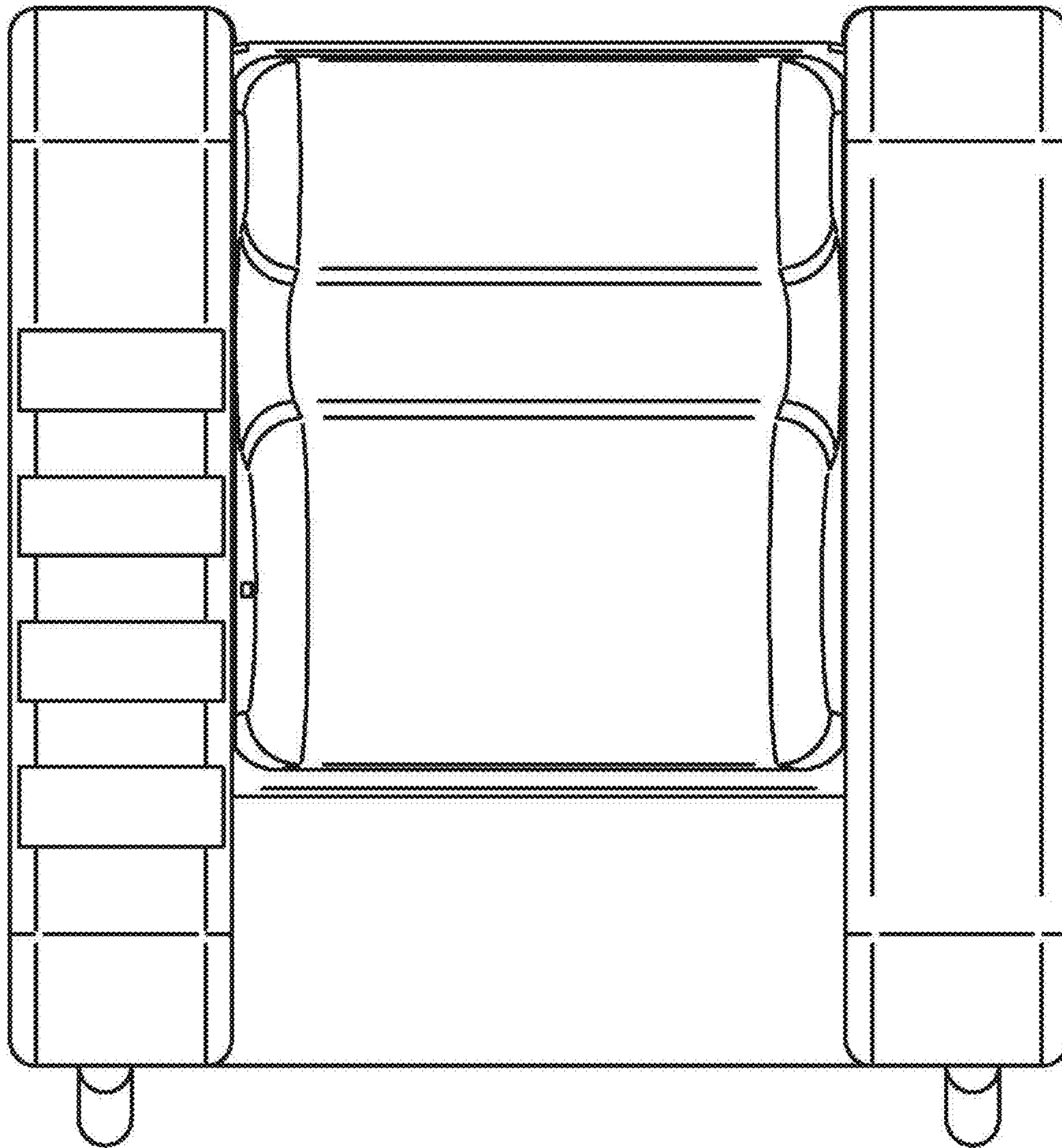


FIG. 3

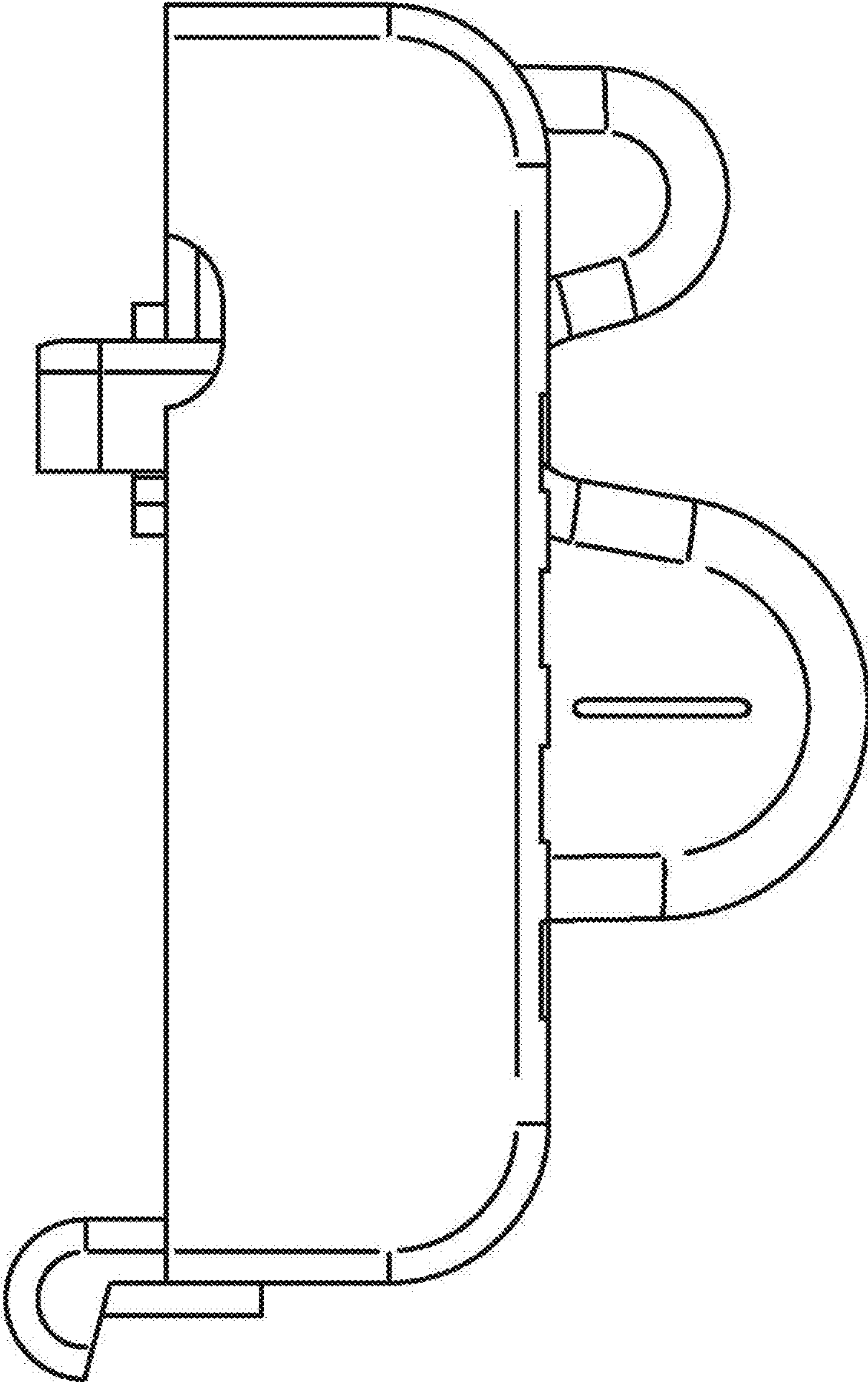


FIG. 4

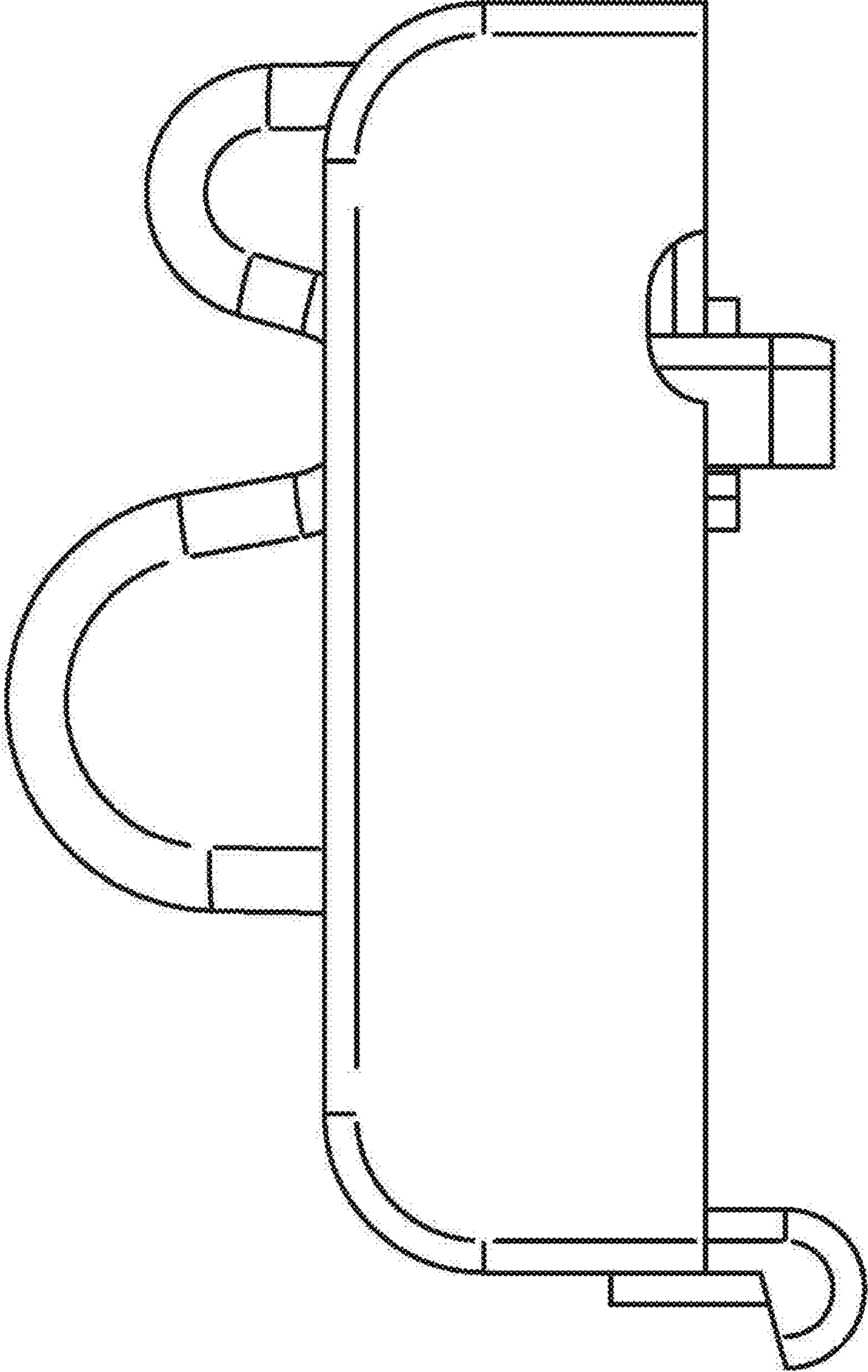


FIG. 5

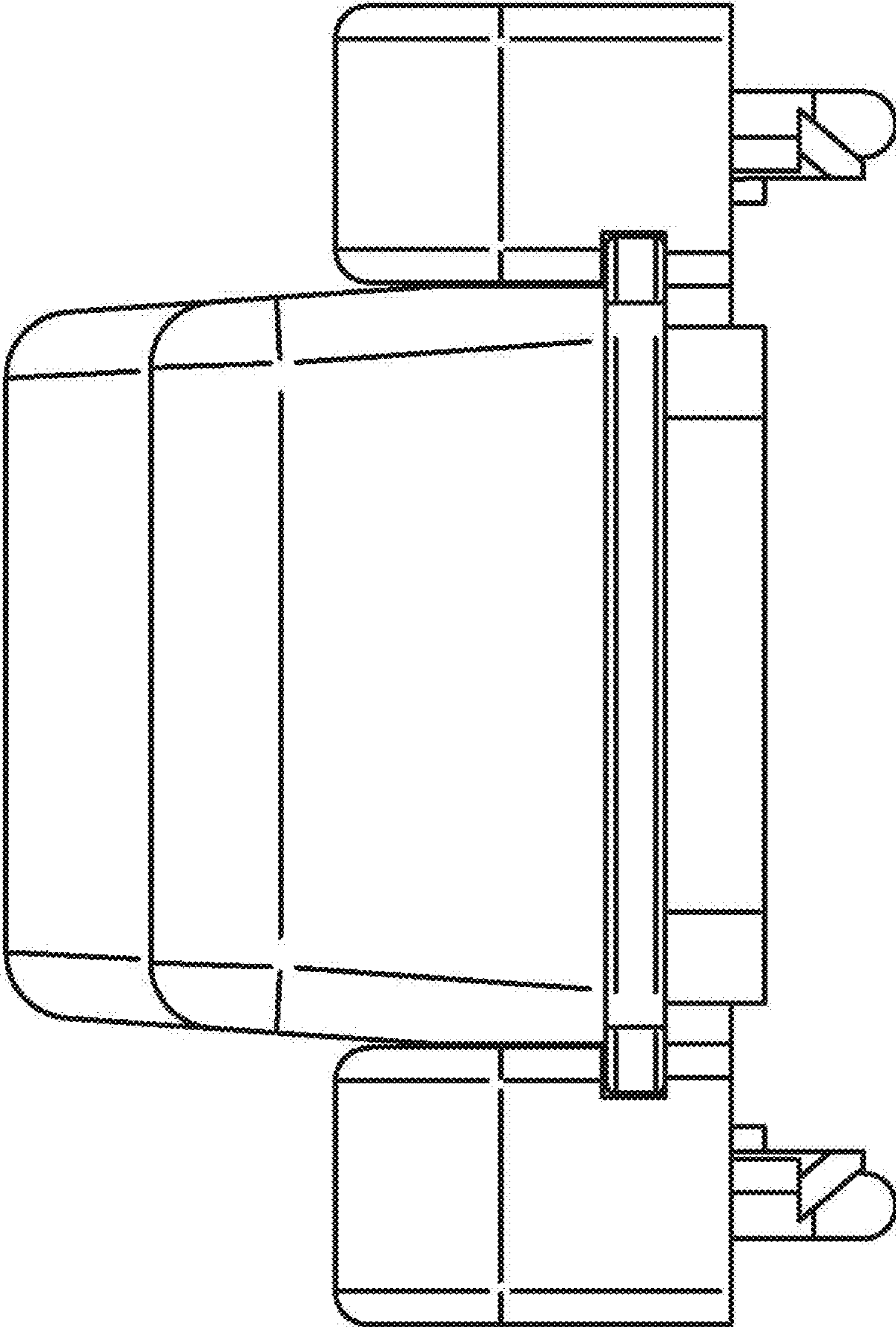


FIG. 6

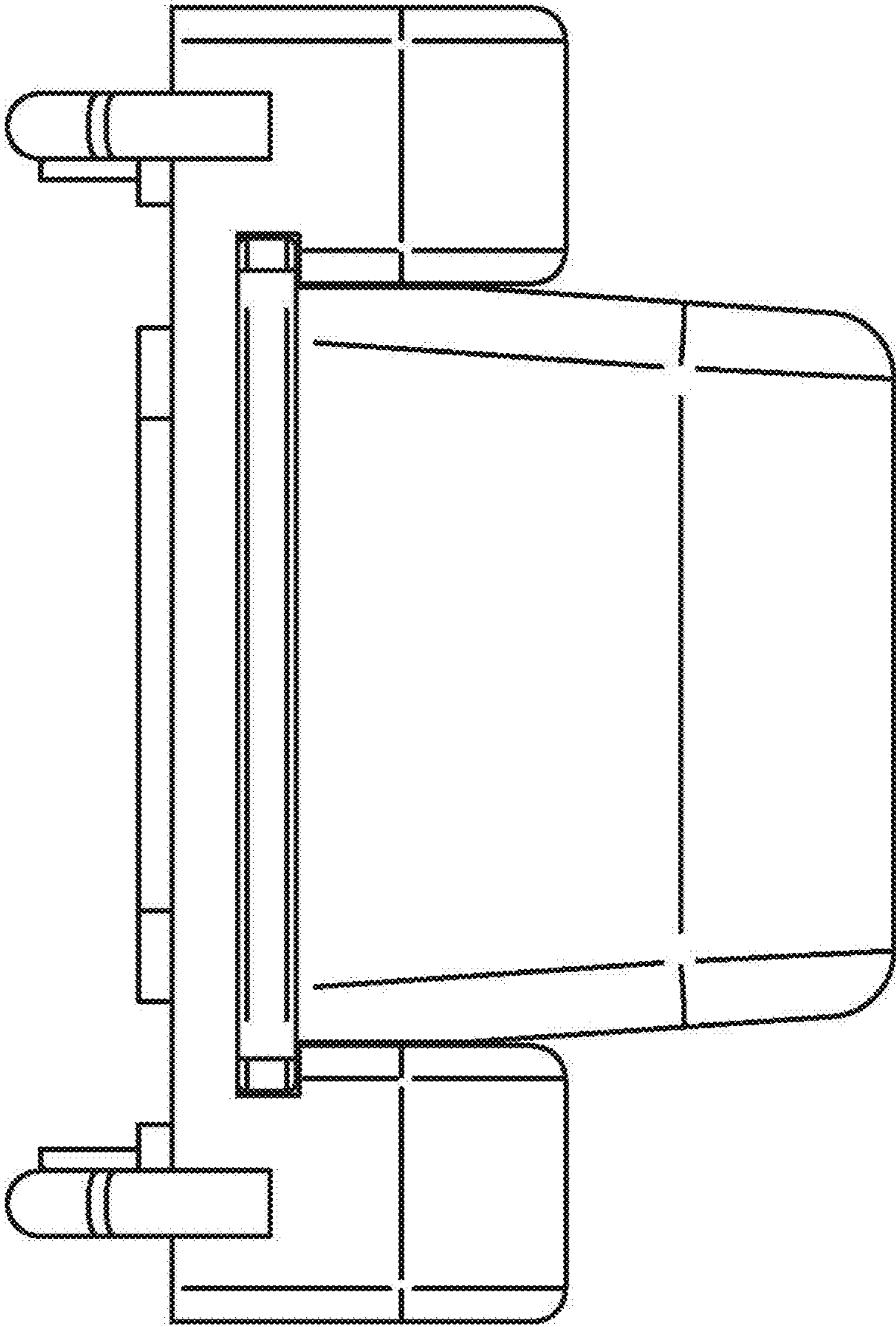


FIG. 7