



US00D756186S

(12) **United States Design Patent**
Sarmiento

(10) **Patent No.:** **US D756,186 S**
(45) **Date of Patent:** **** May 17, 2016**

- (54) **CERAMIC CUTTERS**
- (71) Applicant: **GERMANS BOADA, S.A.**, Barcelona (ES)
- (72) Inventor: **Miguel Angel Sarmiento**, Barcelona (ES)
- (73) Assignee: **GERMANS BOADA, S.A.**, Barcelona (ES)
- (**) Term: **14 Years**
- (21) Appl. No.: **29/519,463**
- (22) Filed: **Mar. 5, 2015**
- (30) **Foreign Application Priority Data**
 Sep. 5, 2014 (EM) 002532176-0002
- (51) **LOC (10) Cl.** **08-05**
- (52) **U.S. Cl.**
USPC **D8/51; D15/127**
- (58) **Field of Classification Search**
USPC D8/51, 98; D15/127
CPC B23D 1/225; Y10T 225/325; Y10T 83/0385;
Y10T 83/0348; C03B 33/10
See application file for complete search history.

6,223,736	B1 *	5/2001	Yasuga	B28D 1/225	125/23.02
6,240,914	B1 *	6/2001	Yasuga	B28D 1/225	125/23.02
6,269,994	B1 *	8/2001	Harrington	B28D 1/225	125/23.02
D476,213	S *	6/2003	Hepworth	D15/127	
D533,426	S *	12/2006	Torrents Comas	D15/127	
D536,945	S *	2/2007	Yang	D15/127	
D541,127	S *	4/2007	Yang	D8/51	
7,434,576	B2 *	10/2008	Hwang	B28D 1/225	125/23.02
D597,568	S *	8/2009	I Comas	D15/127	
D618,714	S *	6/2010	Comas	D15/127	
D638,864	S *	5/2011	Comas	D15/127	
8,578,923	B2 *	11/2013	Ghelfi	B28D 1/225	125/23.01
D733,197	S *	6/2015	Ambrogiani	D15/127	
D737,350	S *	8/2015	Gargallo	D15/127	
D737,351	S *	8/2015	Gargallo	D15/127	
2003/0029433	A1 *	2/2003	Hepworth	B28D 1/225	125/23.02
2003/0047056	A1 *	3/2003	Torrents I Comas	..	B28D 1/225	83/886
2004/0025662	A1 *	2/2004	Torrents I Comas	..	B28D 1/225	83/886
2005/0016518	A1 *	1/2005	Ishii	B28D 1/225	125/23.02
2009/0044681	A1 *	2/2009	Torrents I Comas	..	B28D 1/225	83/886
2009/0145416	A1 *	6/2009	Harding	B28D 1/225	125/23.02

* cited by examiner

(56) **References Cited**
U.S. PATENT DOCUMENTS

D291,578	S *	8/1987	Hepworth	D15/127	
D331,762	S *	12/1992	Matt	D15/127	
5,169,045	A *	12/1992	Liu	B28D 1/225	125/23.02
D359,435	S *	6/1995	Joecker, Jr.	D8/98	
6,047,871	A *	4/2000	Chen	B28D 1/225	125/23.02
6,053,159	A *	4/2000	Liu	B28D 1/225	125/23.02
D424,585	S *	5/2000	Torrents Comas	D15/127	
6,148,810	A *	11/2000	Hepworth	B28D 1/225	125/23.01
D434,782	S *	12/2000	Comas	D15/127	
6,164,272	A *	12/2000	Fouy	B28D 1/225	125/12

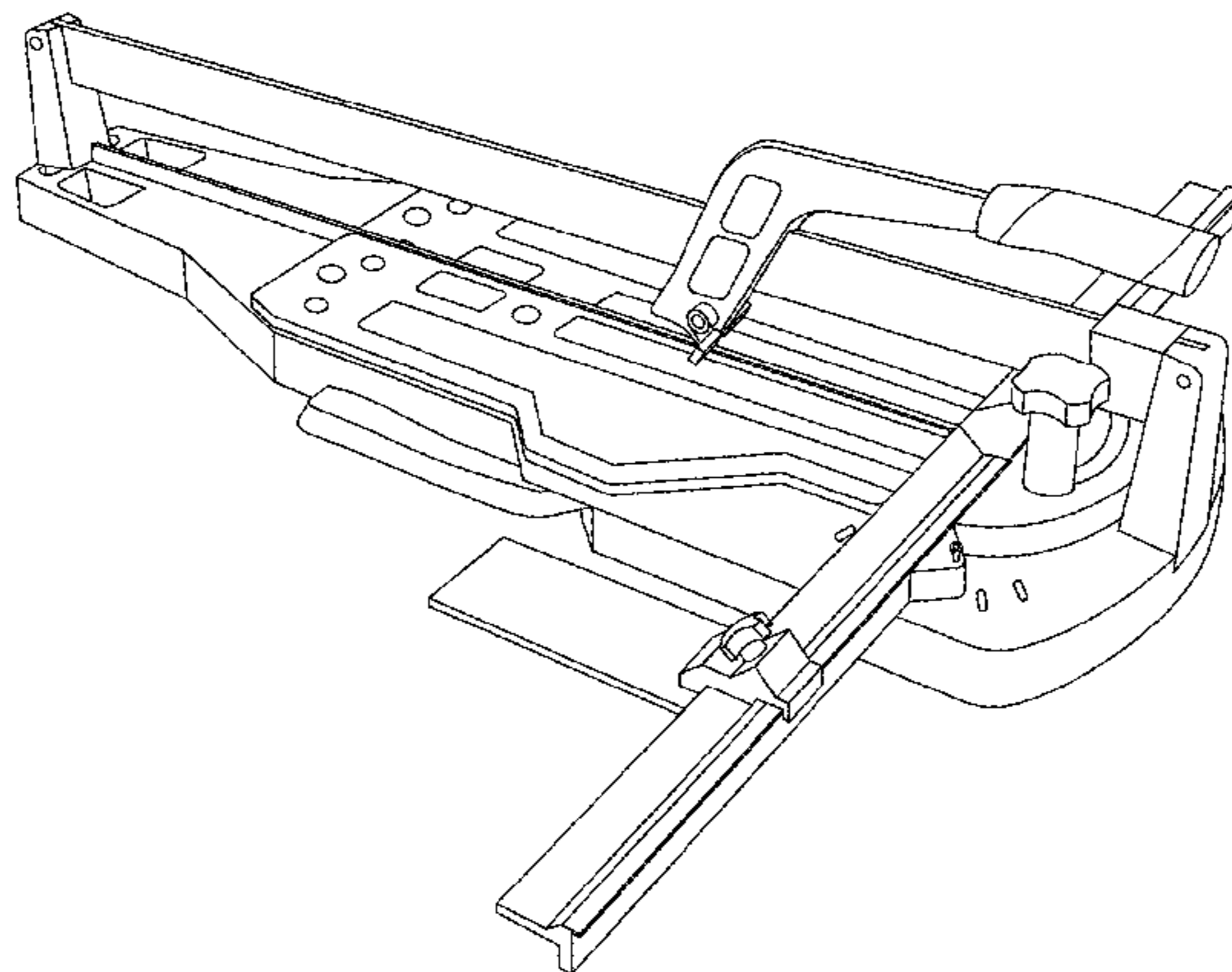
Primary Examiner — Deanna L Pratt
(74) *Attorney, Agent, or Firm* — Hodgson Russ LLP
(57) **CLAIM**

The ornamental design for ceramic cutters, as shown and described.

DESCRIPTION

FIG. 1 is an isometric view of ceramic cutters in accordance with the new design;
FIG. 2 is a front elevational view thereof;
FIG. 3 is a rear elevational view thereof;
FIG. 4 is a right side elevational view thereof;
FIG. 5 is a left side elevational view thereof;
FIG. 6 is a top plan view thereof; and,
FIG. 7 is a bottom plan view thereof.

1 Claim, 4 Drawing Sheets



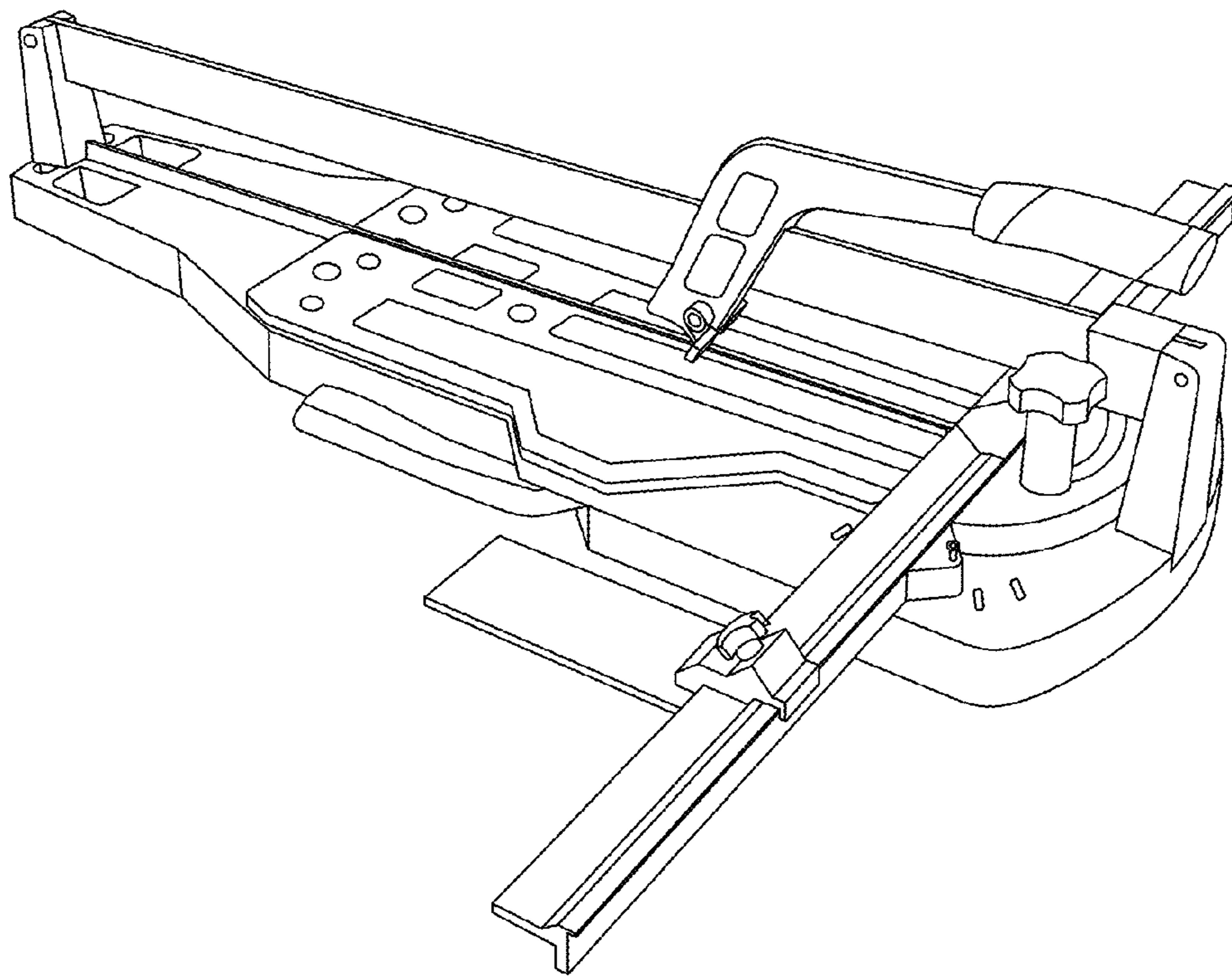


Fig. 1

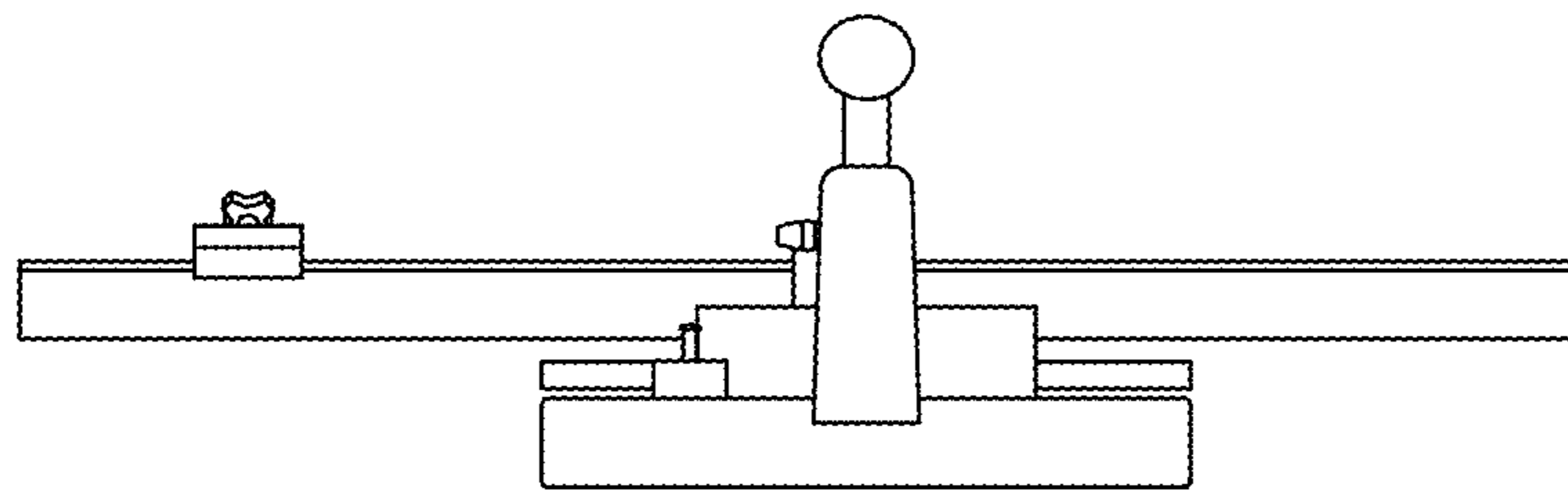


Fig. 2

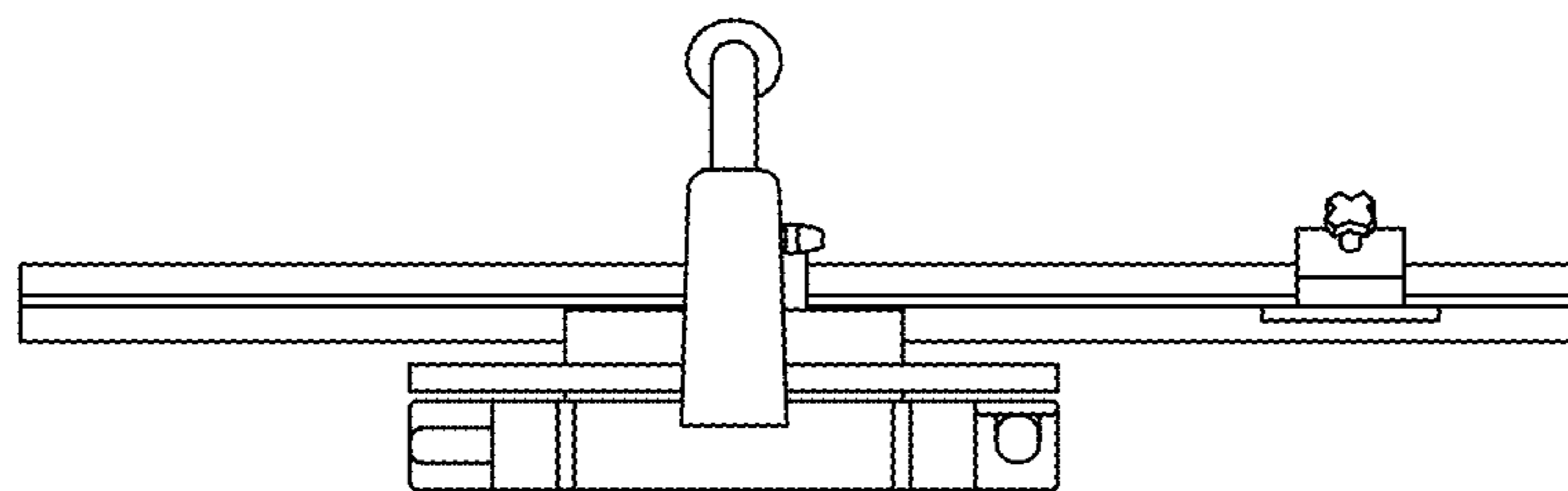


Fig. 3

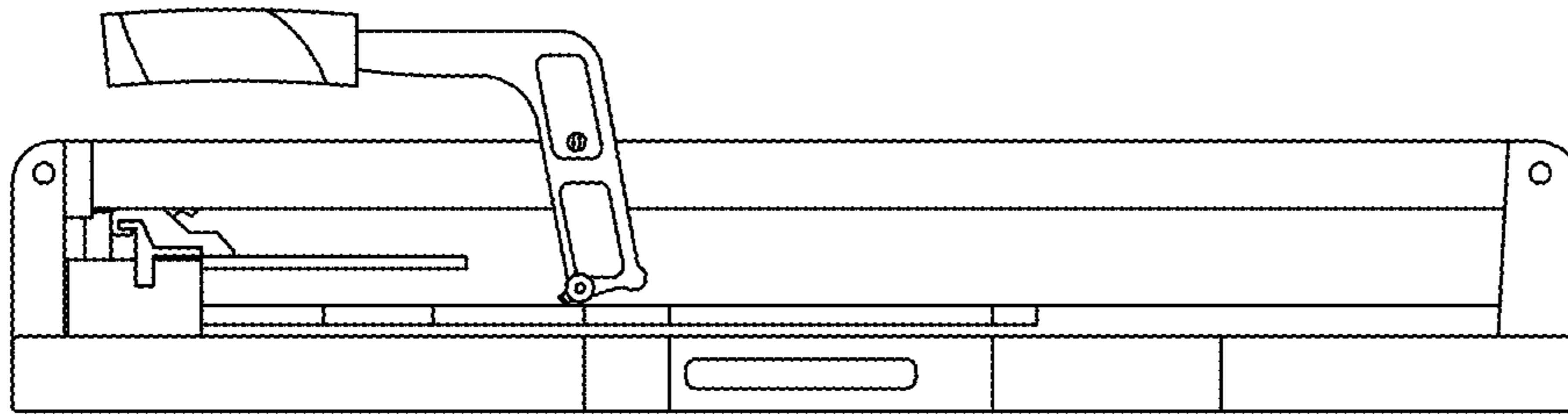


Fig. 4

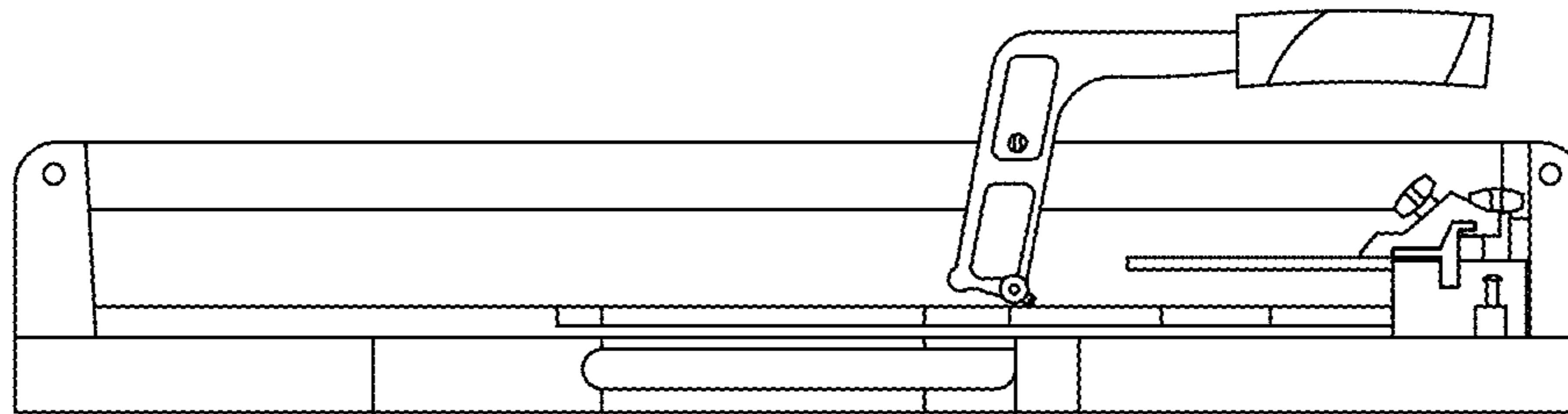


Fig. 5

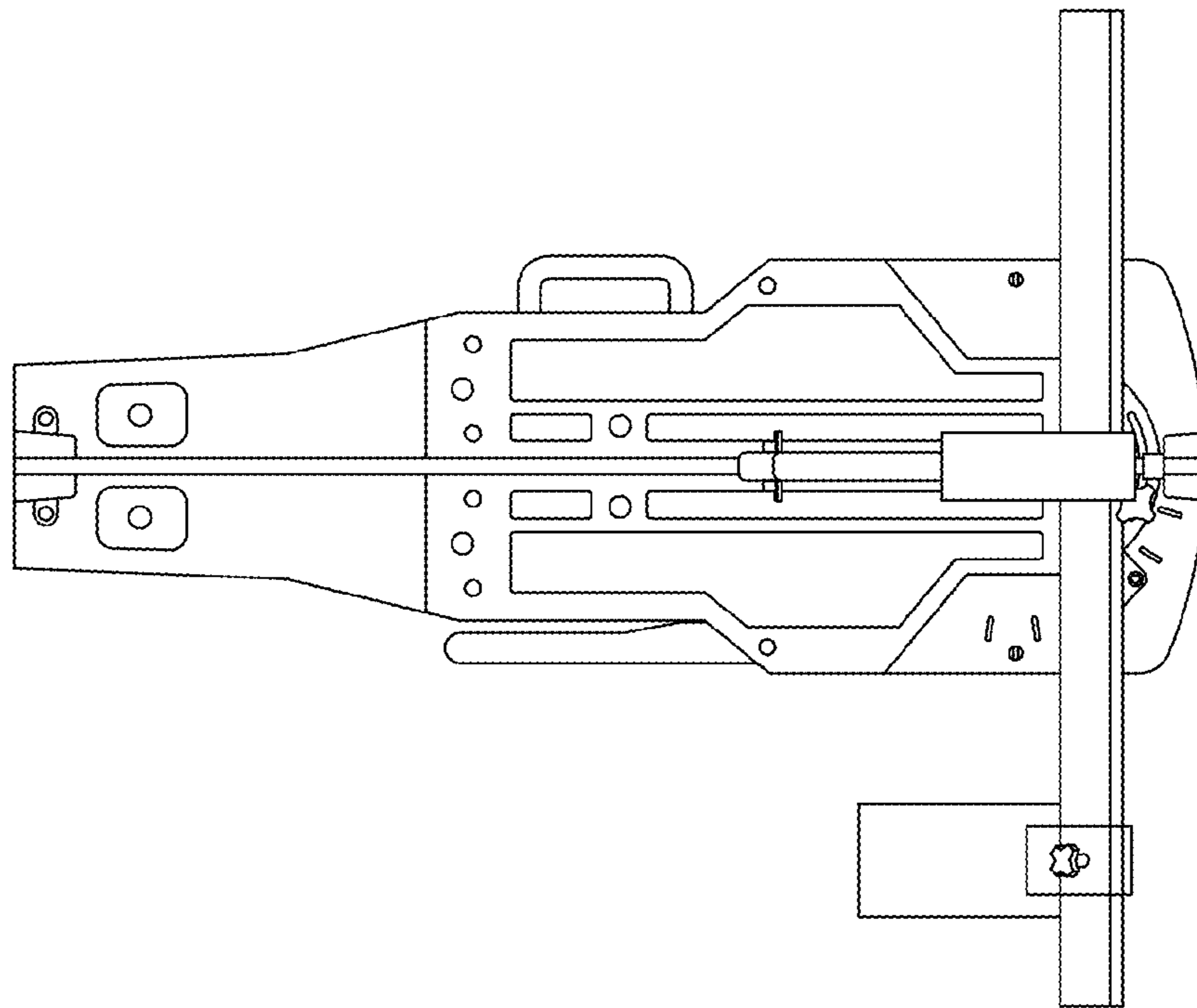


Fig. 6

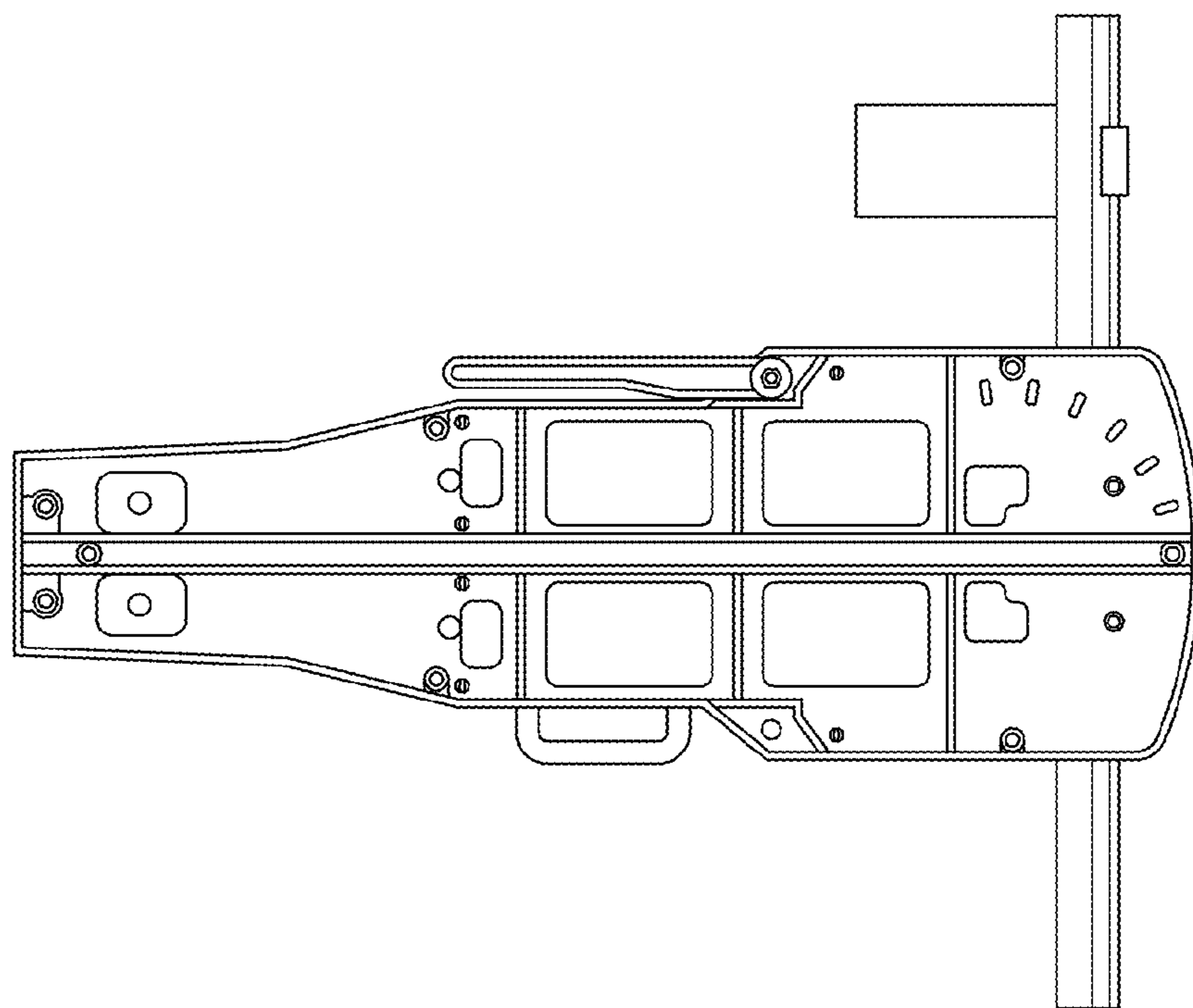


Fig. 7