



US00D756185S

(12) **United States Design Patent**  
**Lehoux**

(10) **Patent No.:** **US D756,185 S**  
(45) **Date of Patent:** **\*\* May 17, 2016**

- (54) **BOTTLE CUTTER**
- (71) Applicant: **Patrick Lehoux**, Sudbury (CA)
- (72) Inventor: **Patrick Lehoux**, Sudbury (CA)
- (\*\*) Term: **14 Years**
- (21) Appl. No.: **29/515,417**
- (22) Filed: **Jan. 22, 2015**

4,831,732 A *	5/1989	Garton	30/101
5,515,756 A	5/1996	Sandford et al.	
6,032,367 A *	3/2000	Bonnette et al.	30/101
D431,765 S *	10/2000	Huang	D8/60
D446,103 S	8/2001	Olaneta	
D556,528 S	12/2007	Huang	
D569,702 S	5/2008	Groten	
8,033,024 B2	10/2011	Goop	
8,220,158 B2 *	7/2012	Islam	30/90.2
8,601,697 B2 *	12/2013	Whittaker	30/101
2013/0333542 A1 *	12/2013	Lehoux	83/863

\* cited by examiner

**Related U.S. Application Data**

- (62) Division of application No. 29/439,794, filed on Dec. 14, 2012.

*Primary Examiner* — Ian Simmons

*Assistant Examiner* — Harold Blackwell, II

(74) *Attorney, Agent, or Firm* — Neal, Gerber & Eisenberg LLP

(30) **Foreign Application Priority Data**

Jun. 15, 2012 (CA) ..... 146114  
 Dec. 13, 2012 (CA) ..... 148994

(57) **CLAIM**

The design for a bottle cutter, as shown and described.

(51) **LOC (10) CL.** ..... **08-05**

(52) **U.S. Cl.**  
USPC ..... **D8/51**

**DESCRIPTION**

(58) **Field of Classification Search**  
 USPC ..... D8/51, 57, 60, 107, 312; 30/92, 93, 94,  
 30/95, 96, 97, 101, 102; 83/863; 82/54  
 CPC ..... C03B 33/12; C03B 33/14; C03B 33/10  
 See application file for complete search history.

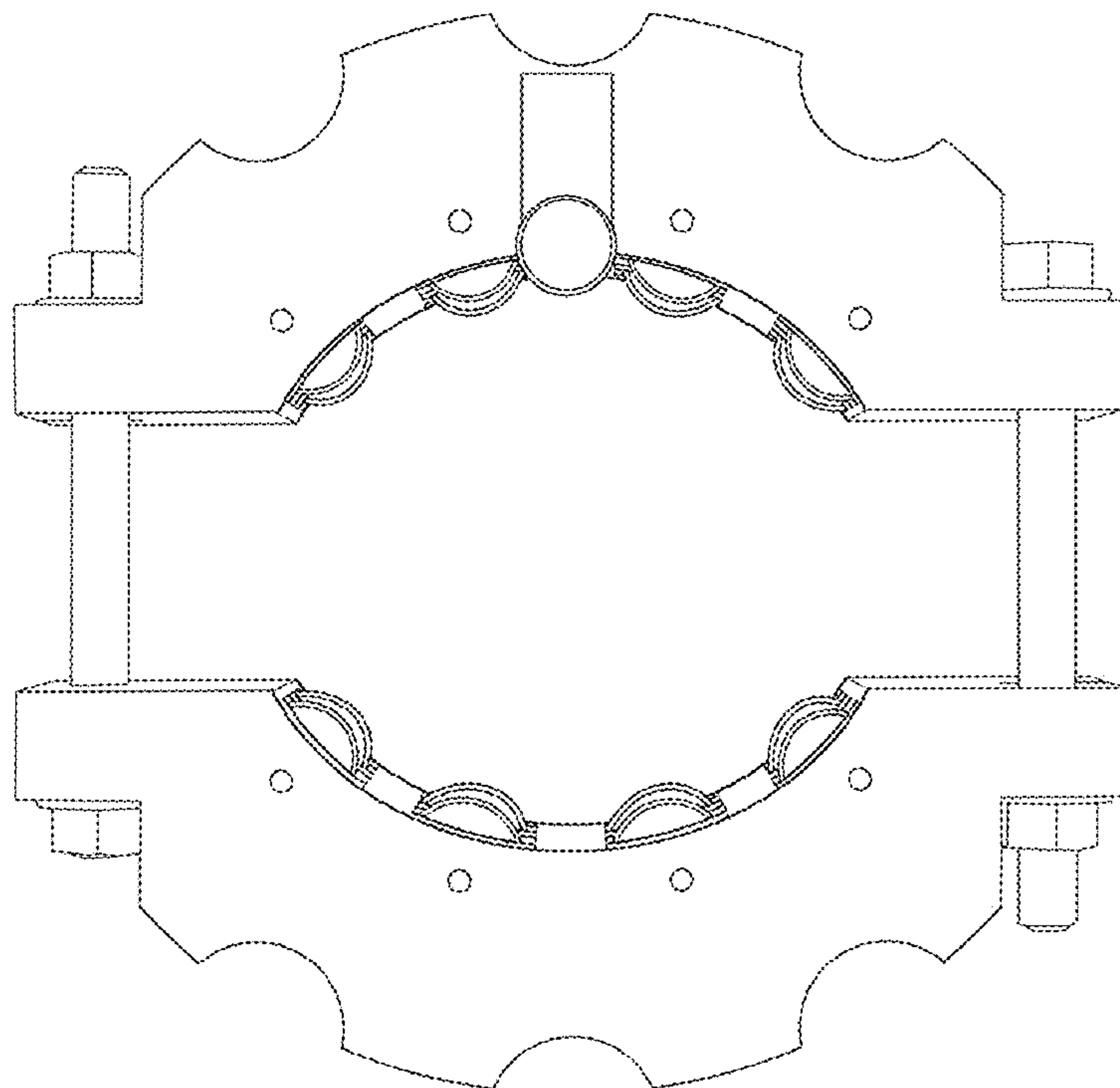
FIG. 1 is a front view of a bottle cutter in accordance of the present design;  
 FIG. 2 is right side view of the bottle cutter of FIG. 1;  
 FIG. 3 is a rear view of the bottle cutter of FIG. 1;  
 FIG. 4 is a left side view of the bottle cutter of FIG. 1;  
 FIG. 5 is a top plan view of the bottle cutter of FIG. 1;  
 FIG. 6 is a bottom plan view of the bottle cutter of FIG. 1; and,  
 FIG. 7 is a front perspective view of the bottle cutter of FIG. 1.

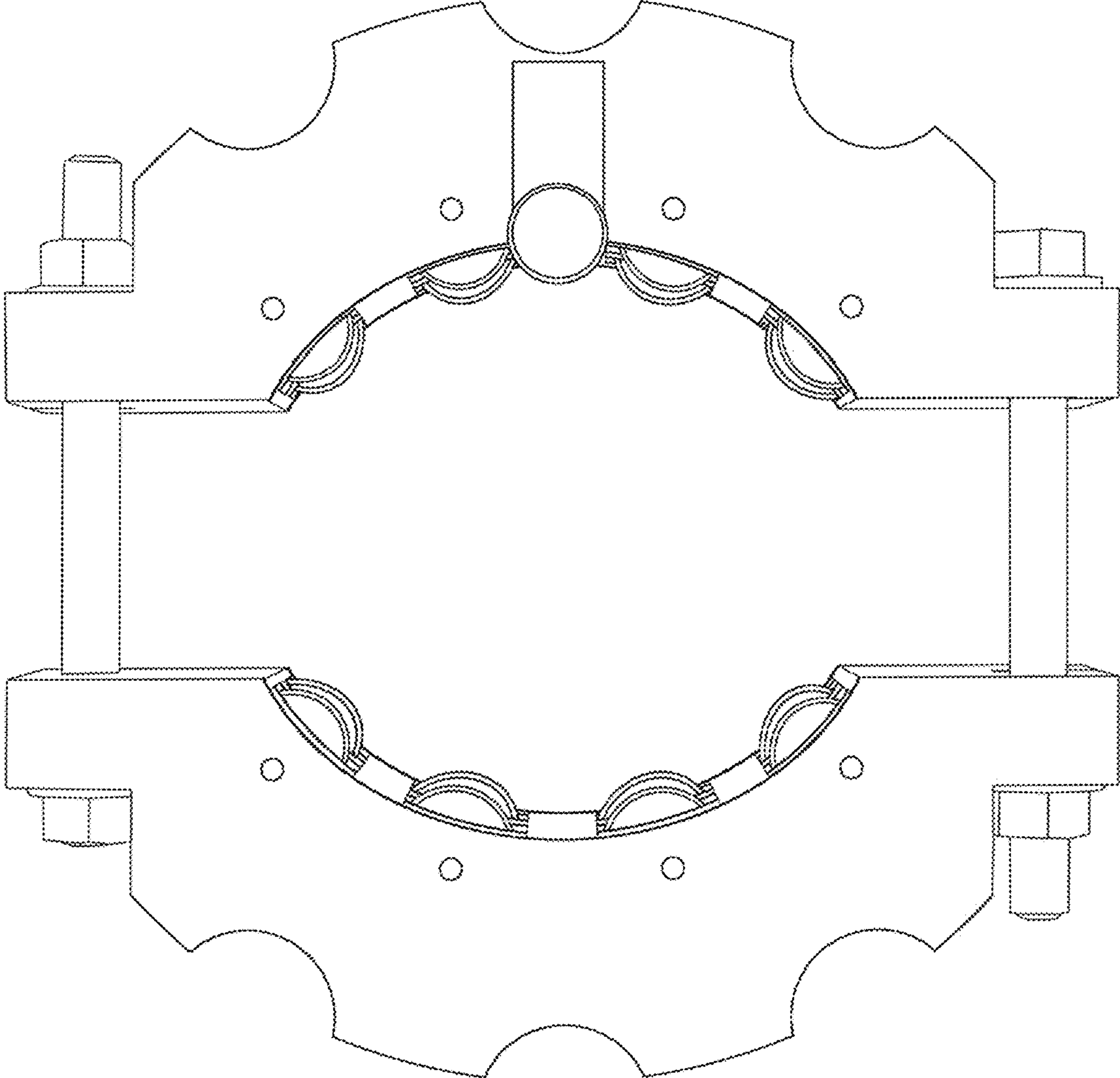
(56) **References Cited**

**U.S. PATENT DOCUMENTS**

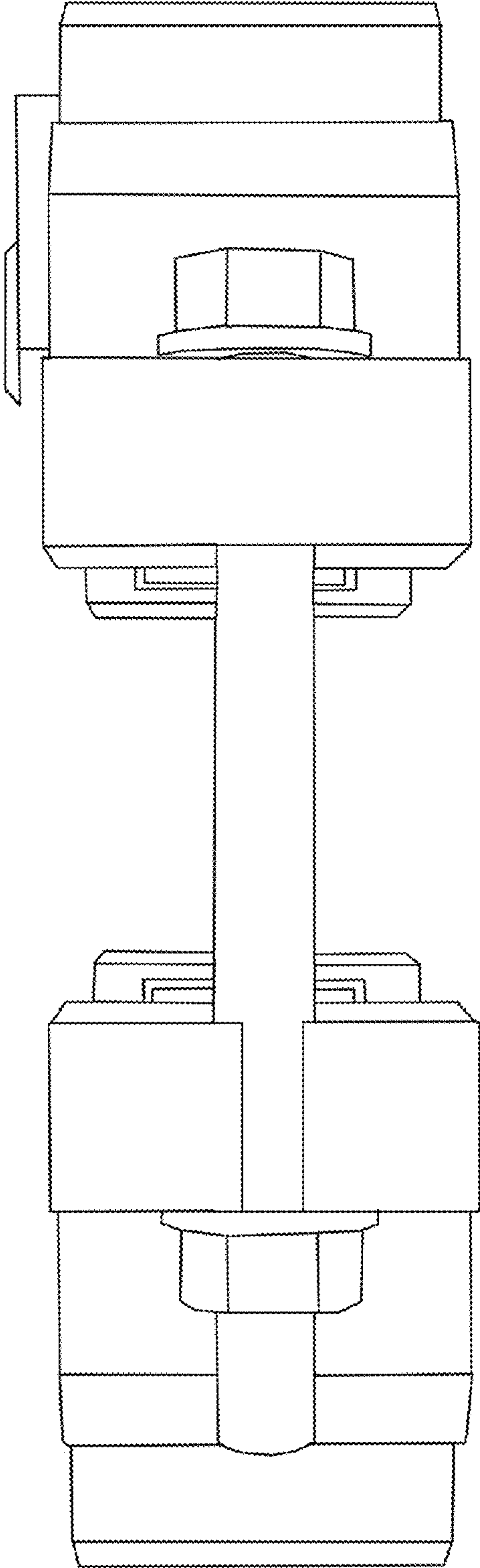
3,243,878 A 4/1966 Bjalme et al.  
 3,335,492 A \* 8/1967 Spiro ..... 30/101

**1 Claim, 7 Drawing Sheets**

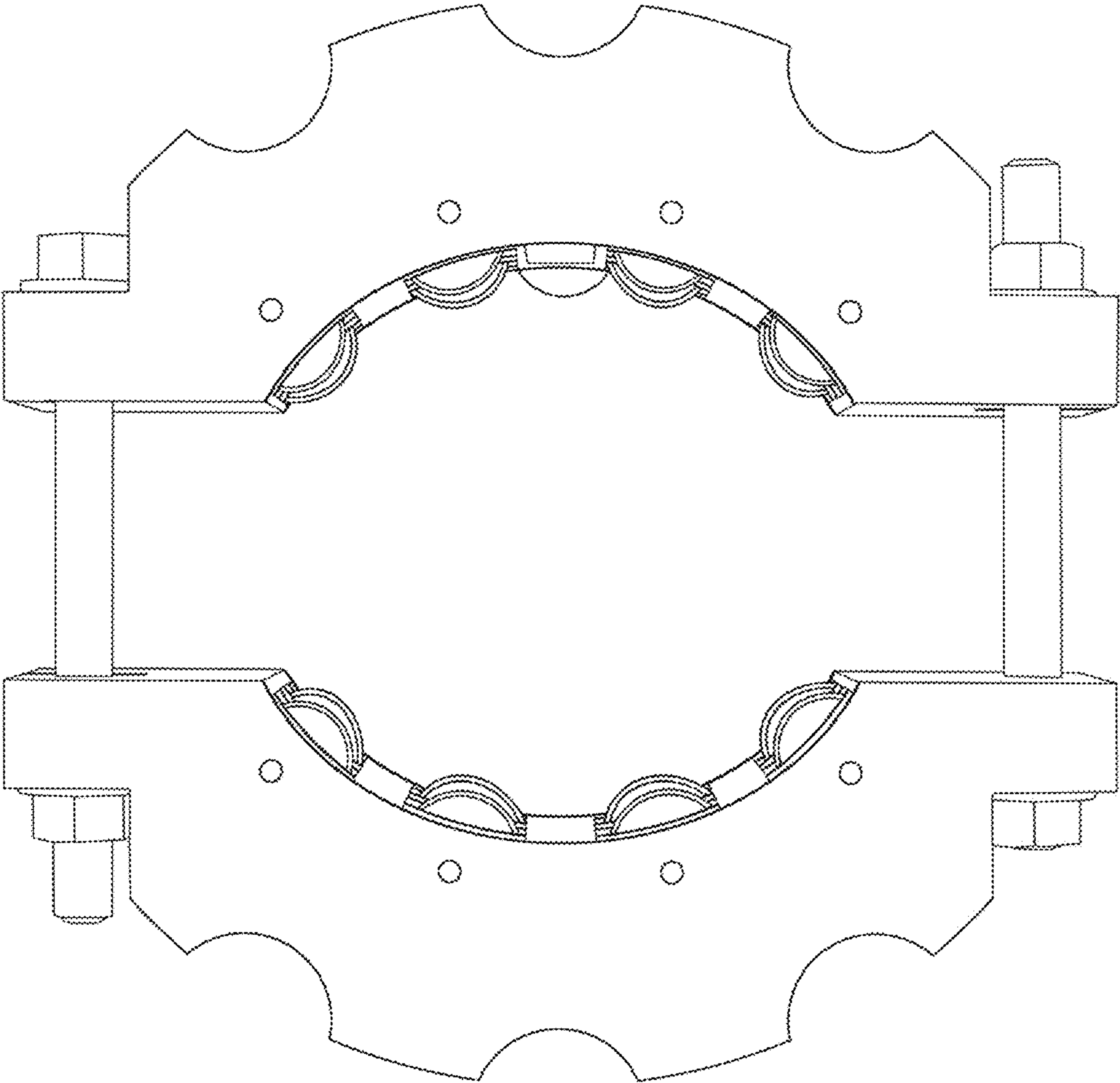




**Figure 1**



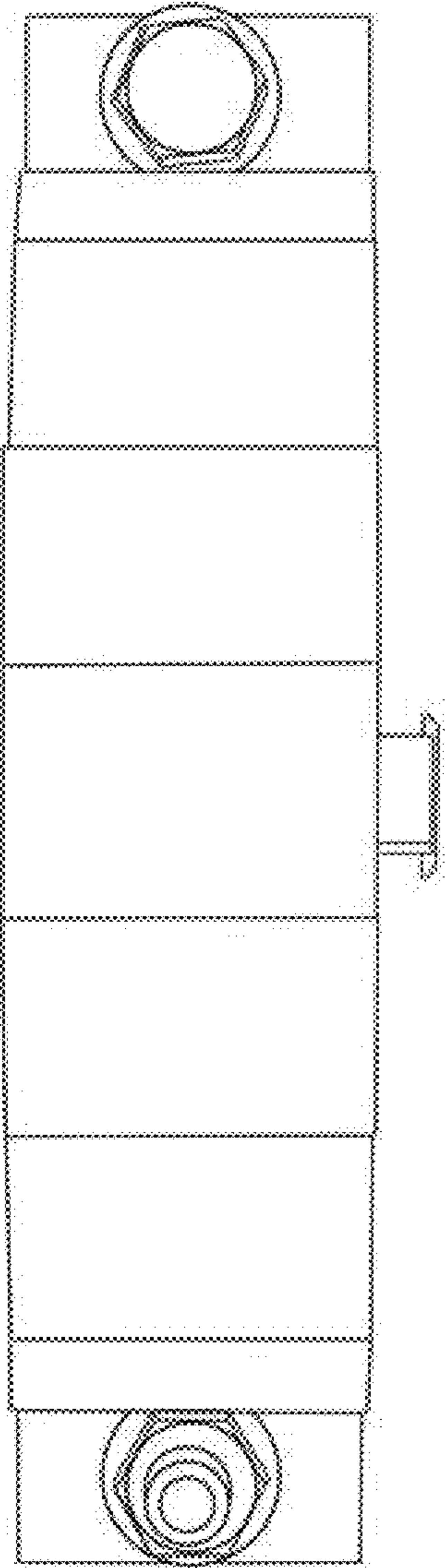
**Figure 2**



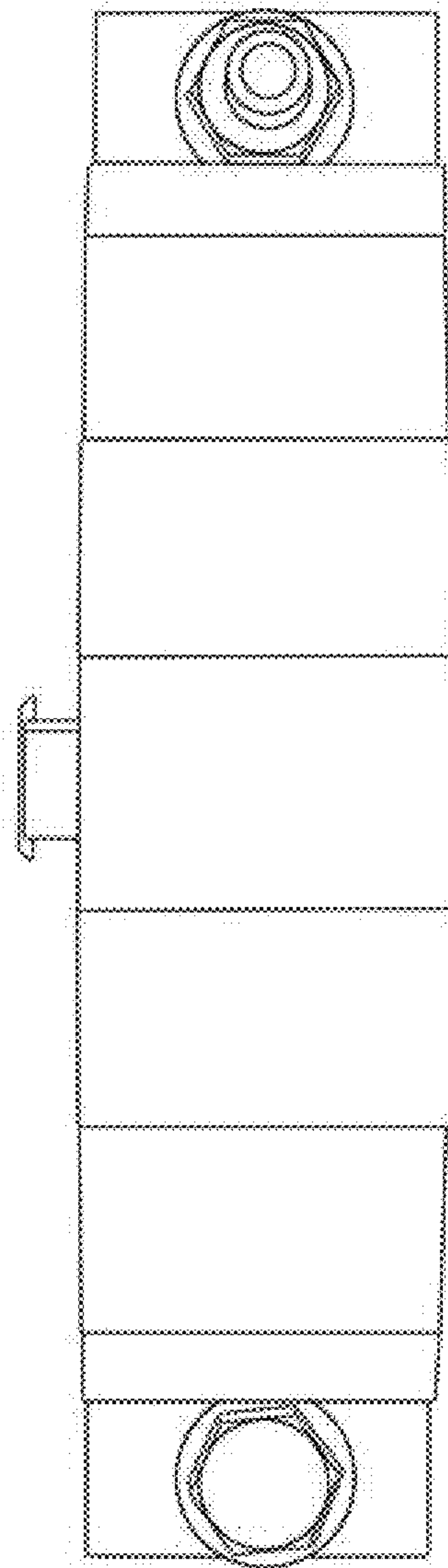
**Figure 3**



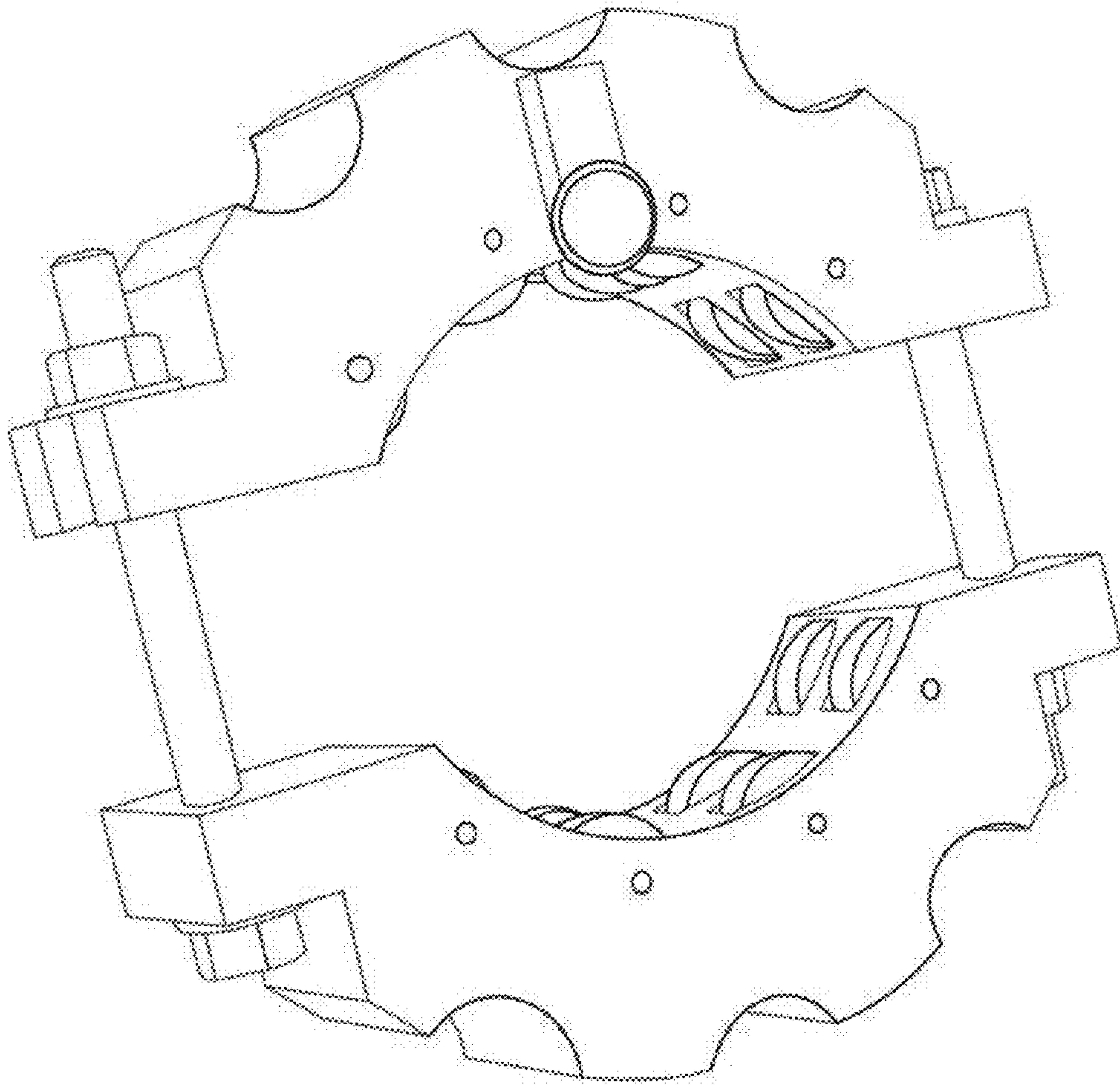




**Figure 5**



**Figure 6**



**Figure 7**