



US00D756183S

(12) **United States Design Patent**
Yeh

(10) **Patent No.:** **US D756,183 S**

(45) **Date of Patent:** **** May 17, 2016**

(54) **PROTECTION COAT FOR SOCKET**

(71) Applicant: **Shu-Hui Yeh**, Taichung (TW)

(72) Inventor: **Shu-Hui Yeh**, Taichung (TW)

(**) Term: **14 Years**

(21) Appl. No.: **29/496,267**

(22) Filed: **Jul. 10, 2014**

(51) **LOC (10) Cl.** **08-05**

(52) **U.S. Cl.**
USPC **D8/29**

(58) **Field of Classification Search**
USPC D8/29, 85, 81, 82; 81/60, 177.1,
81/177.85, 121.1, 124.3, 165-170, 110.1,
81/176.2, 124.6, 176.1, 176.15, 177.2;
16/110.1; D15/144.1; 219/75, 227,
219/229, 121.16, 121.18
CPC B25B 1/00; B25B 13/00; B25B 31/00
See application file for complete search history.

(56) **References Cited**

U.S. PATENT DOCUMENTS

3,930,428 A * 1/1976 Hale 81/124.6
4,004,476 A * 1/1977 DeVrou 81/177.2

D288,777 S * 3/1987 Kwon D8/397
4,800,786 A * 1/1989 Arnold et al. 81/121.1
4,836,059 A * 6/1989 Arnold 76/114
D460,948 S * 7/2002 Montena D13/154
D506,188 S * 6/2005 Ikeda D13/184
7,096,766 B2 * 8/2006 Hsieh 81/124.4
7,127,969 B2 * 10/2006 Hsieh 81/121.1
7,270,032 B1 * 9/2007 Hsieh 81/121.1
D628,461 S * 12/2010 Stein et al. D8/356
2010/0269643 A1 * 10/2010 Kelly et al. 81/125

* cited by examiner

Primary Examiner — Randall Gholson

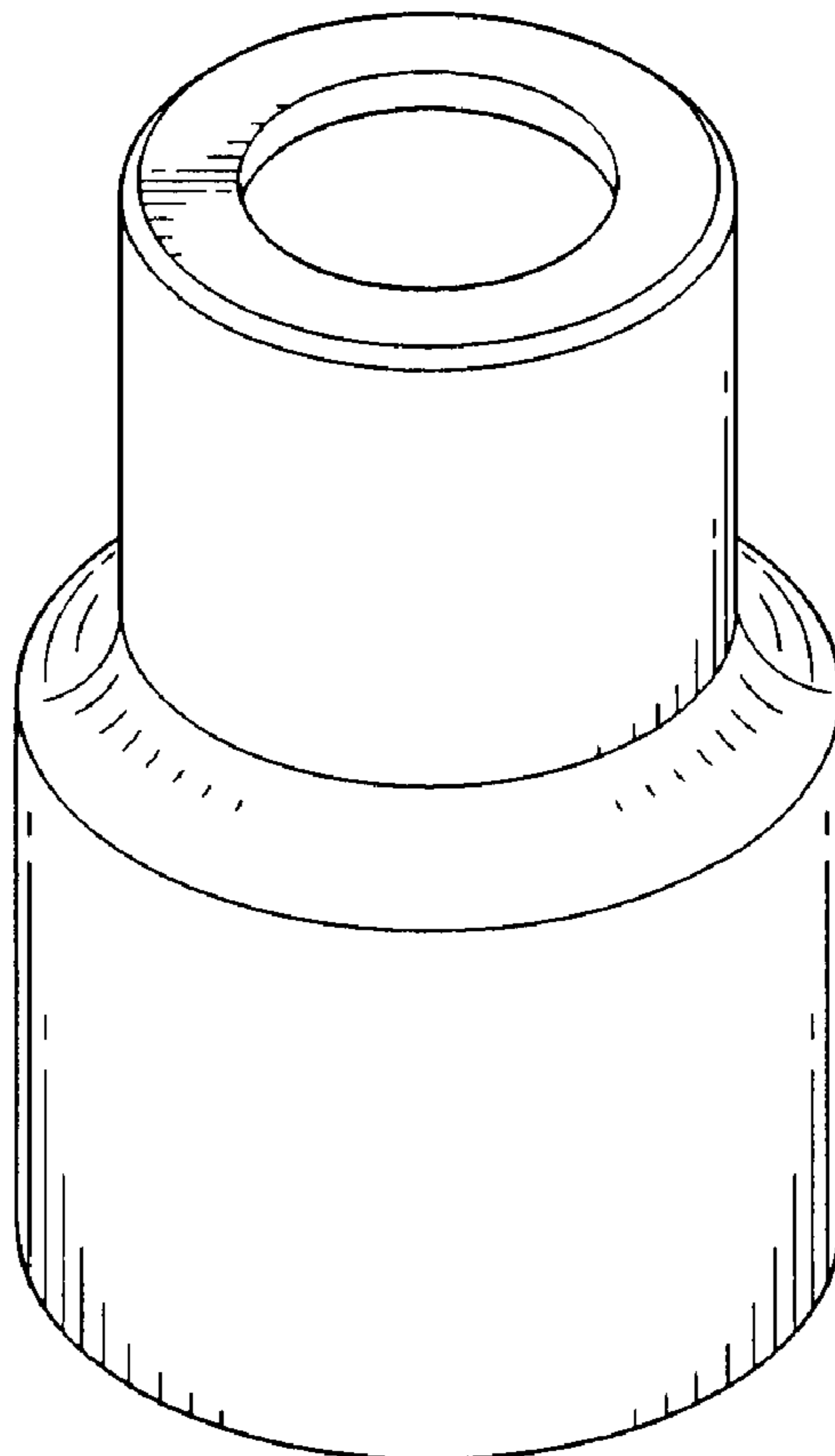
(57) **CLAIM**

The ornamental design for a protection coat for socket, as shown and described.

DESCRIPTION

FIG. 1 is a perspective view of the protection coat for socket showing my new design;
FIG. 2 is a front elevational view thereof;
FIG. 3 is a rear front elevational view thereof;
FIG. 4 is a left side elevational view thereof;
FIG. 5 is a right side elevational view thereof;
FIG. 6 is a top plan view thereof; and,
FIG. 7 is a bottom plan view thereof.

1 Claim, 2 Drawing Sheets



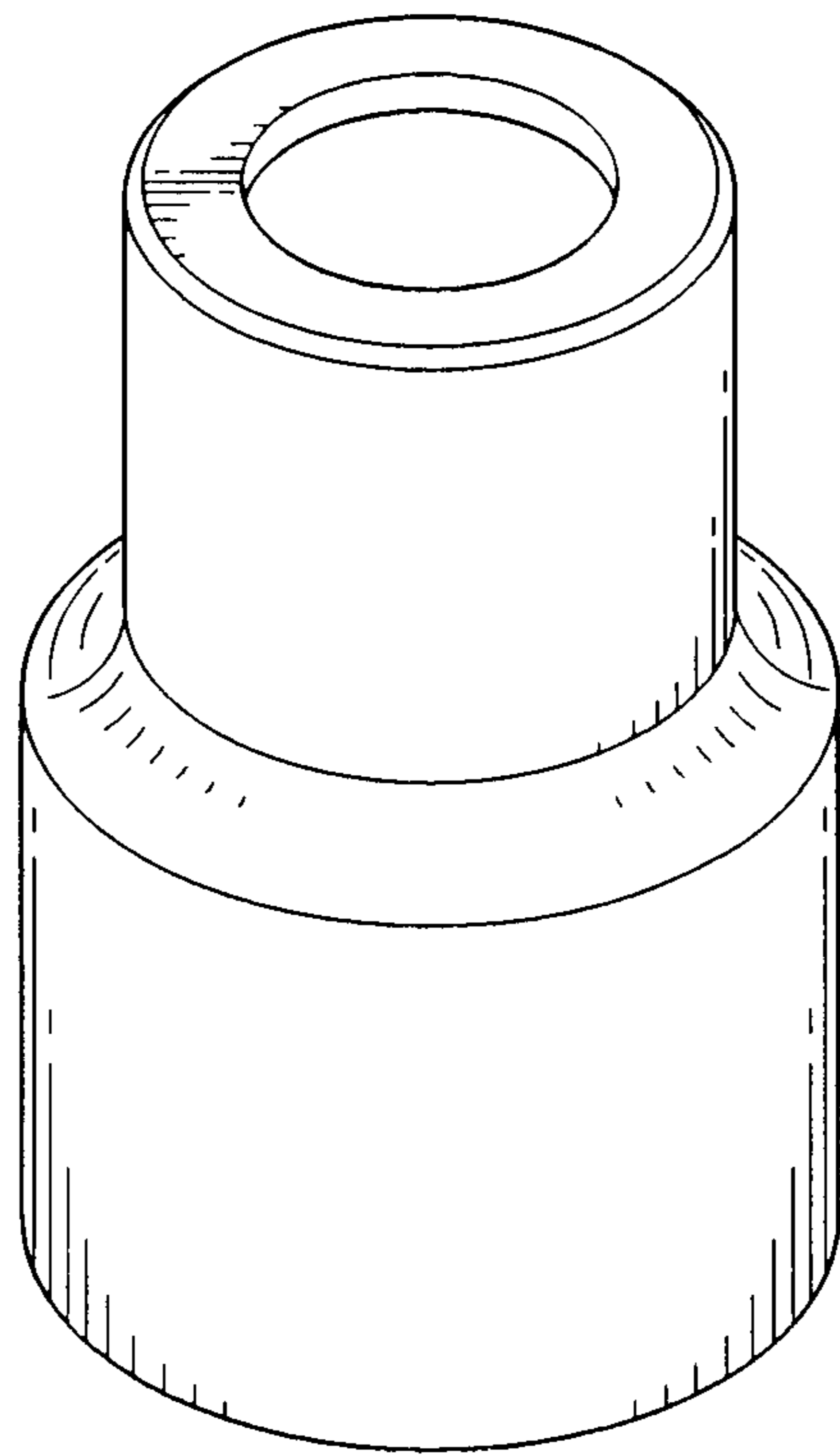


FIG. 1

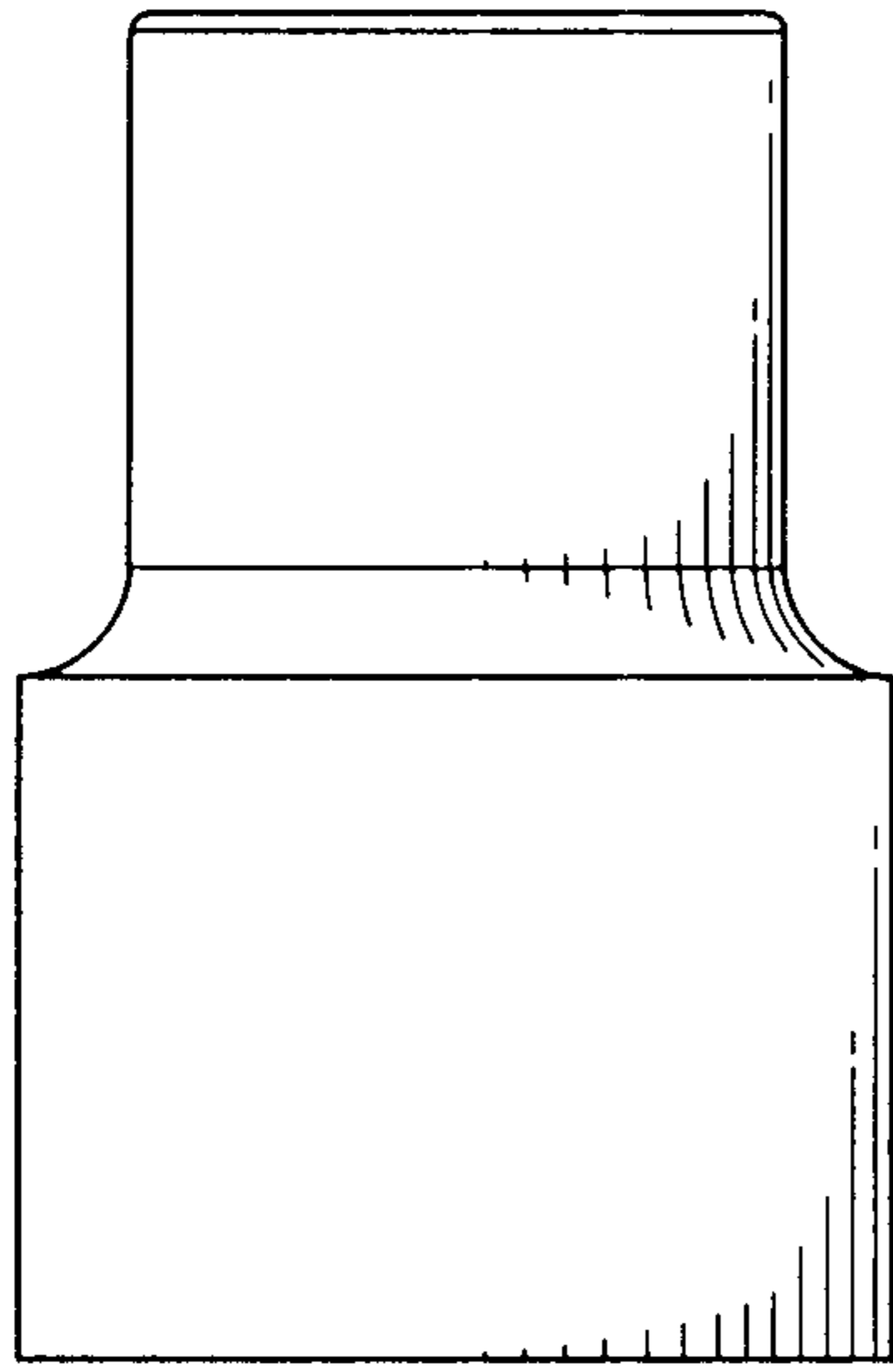


FIG. 2

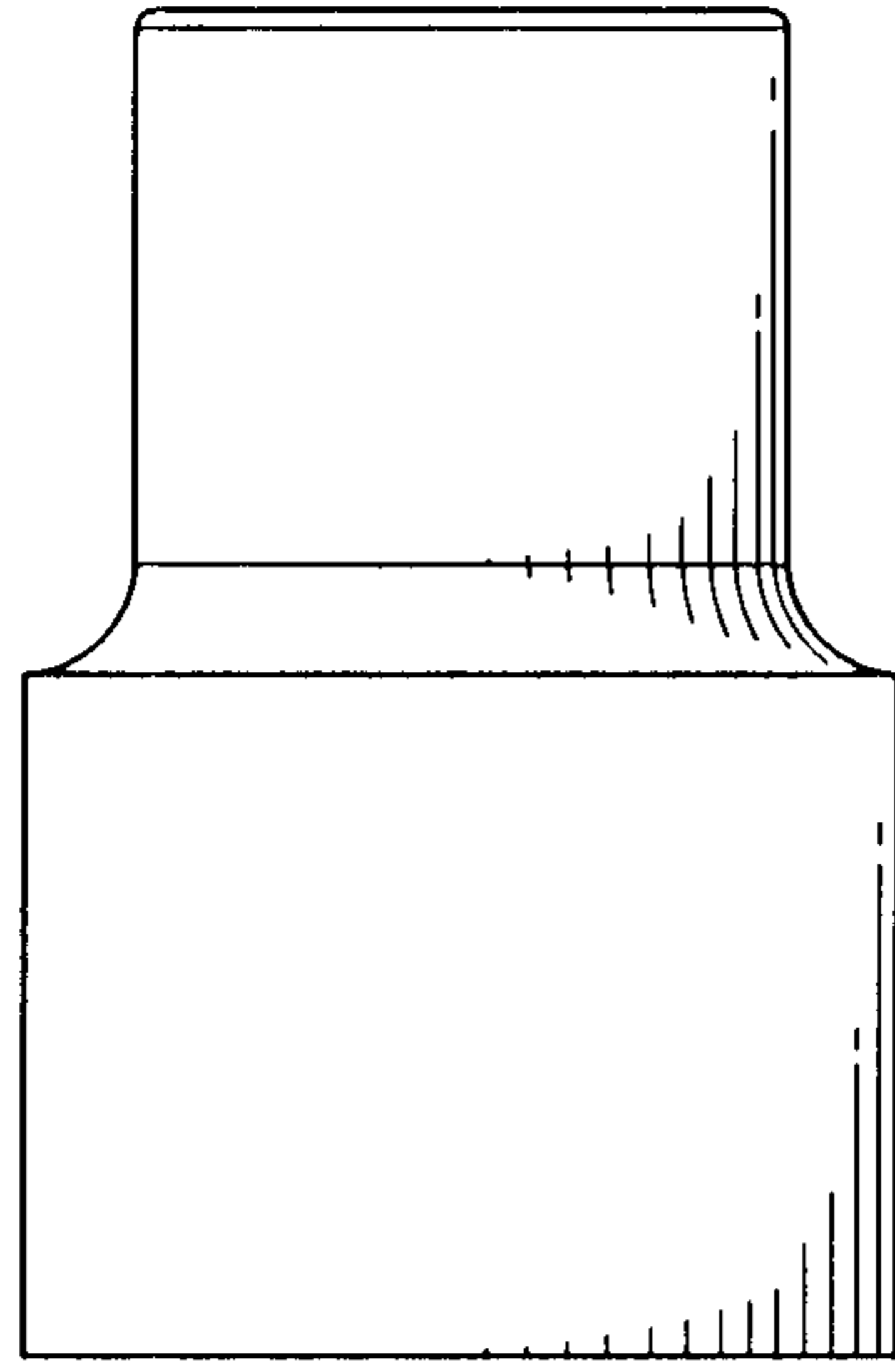


FIG. 3

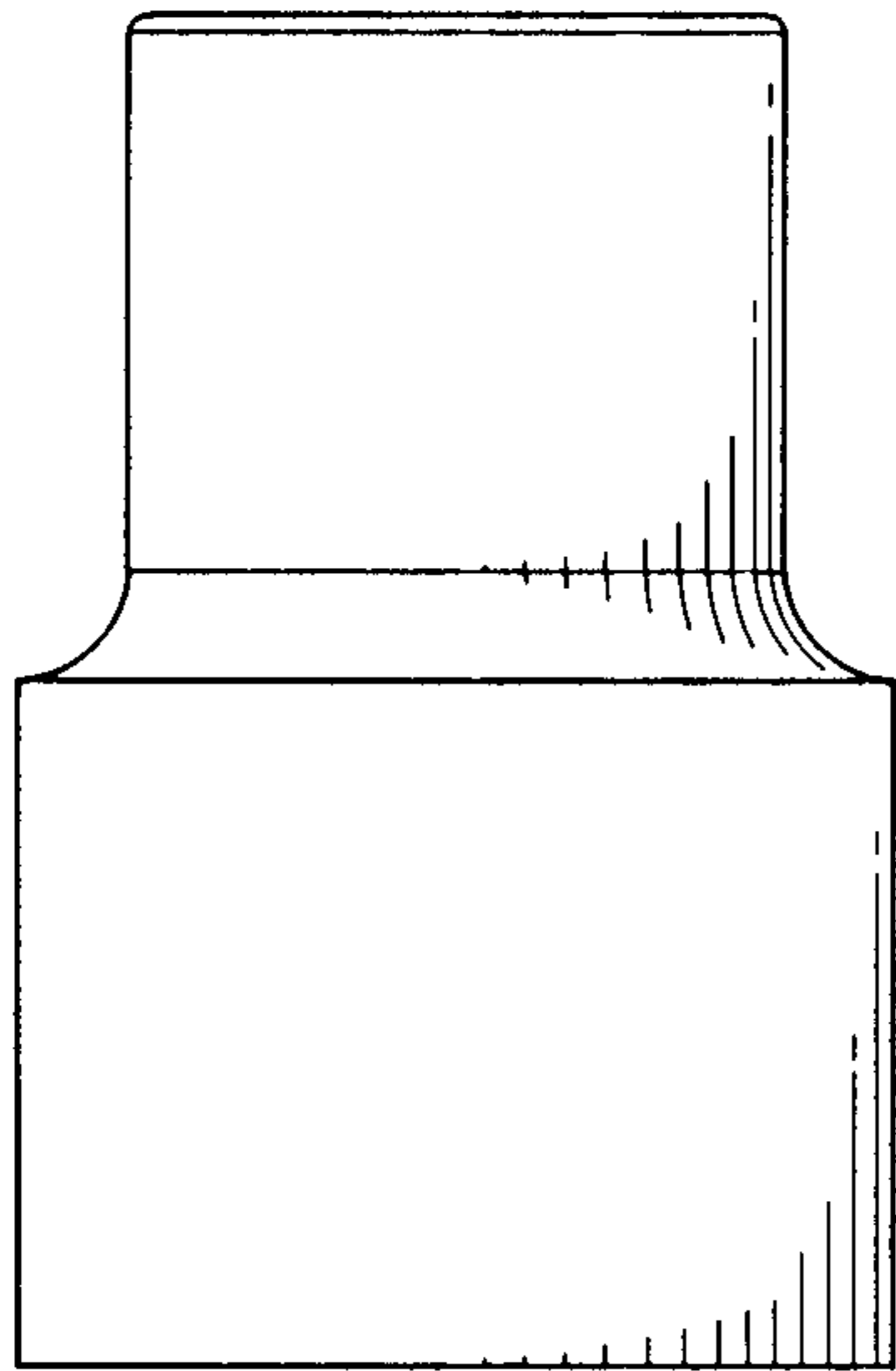


FIG. 4

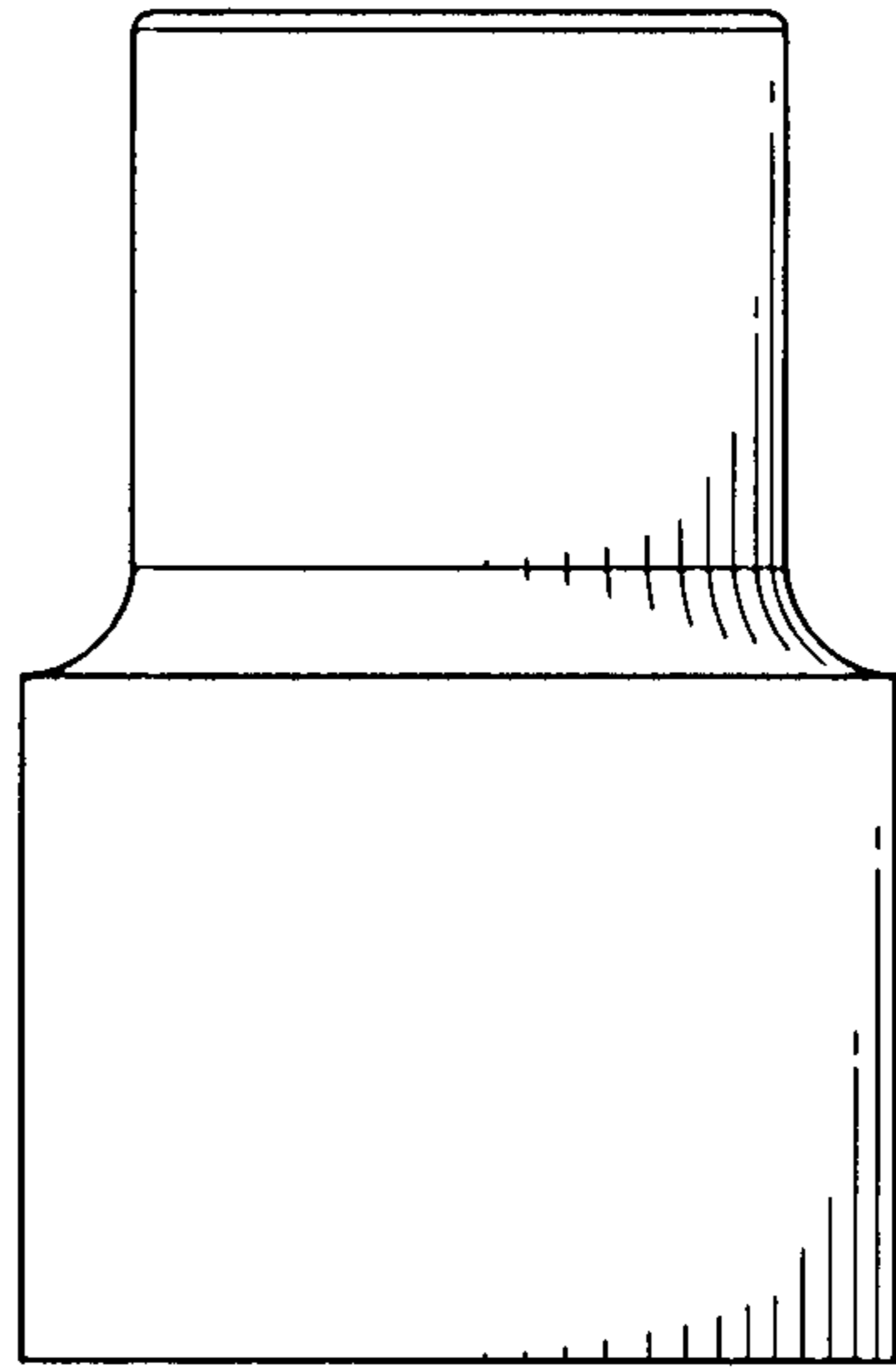


FIG. 5

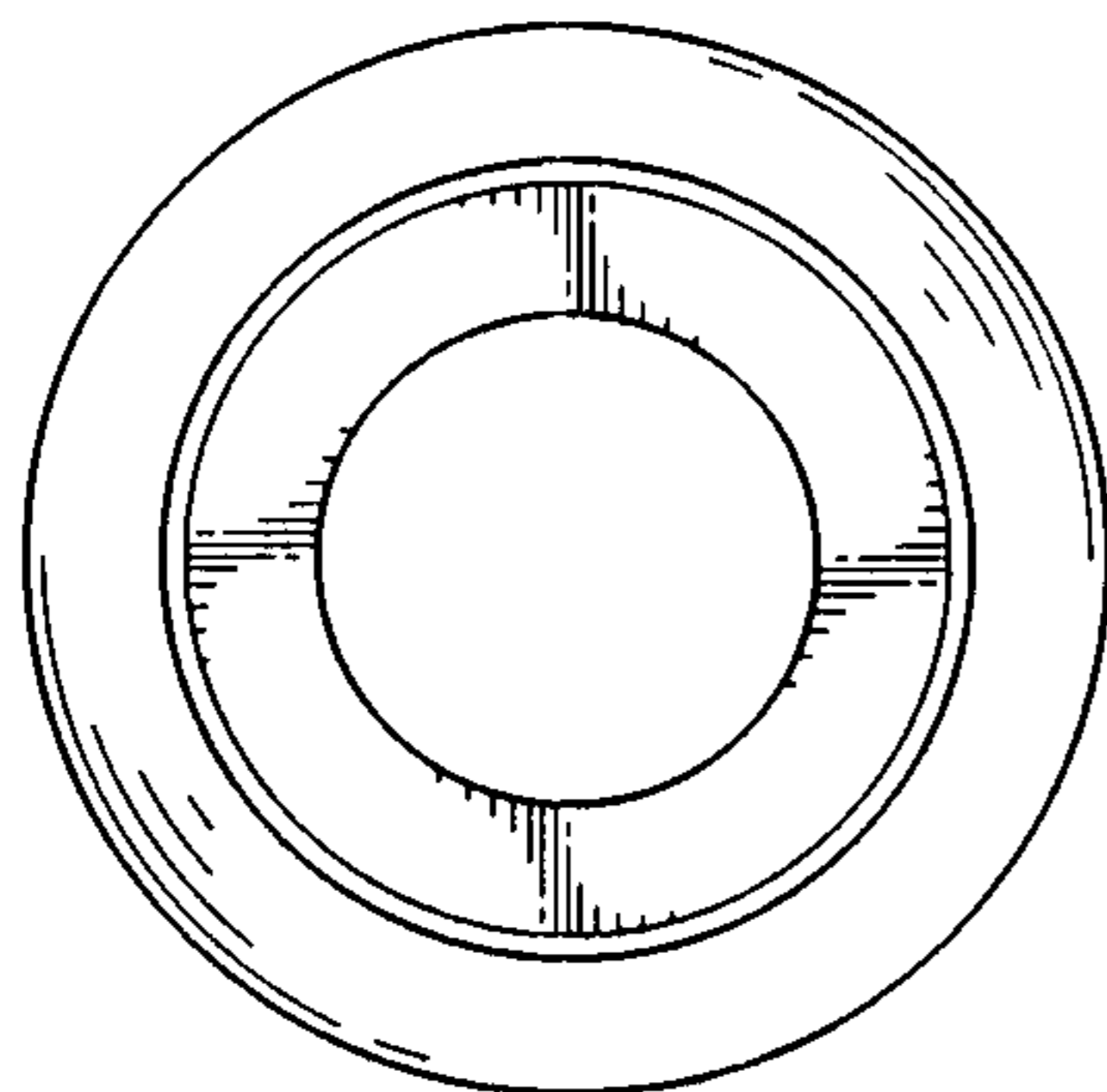


FIG. 6

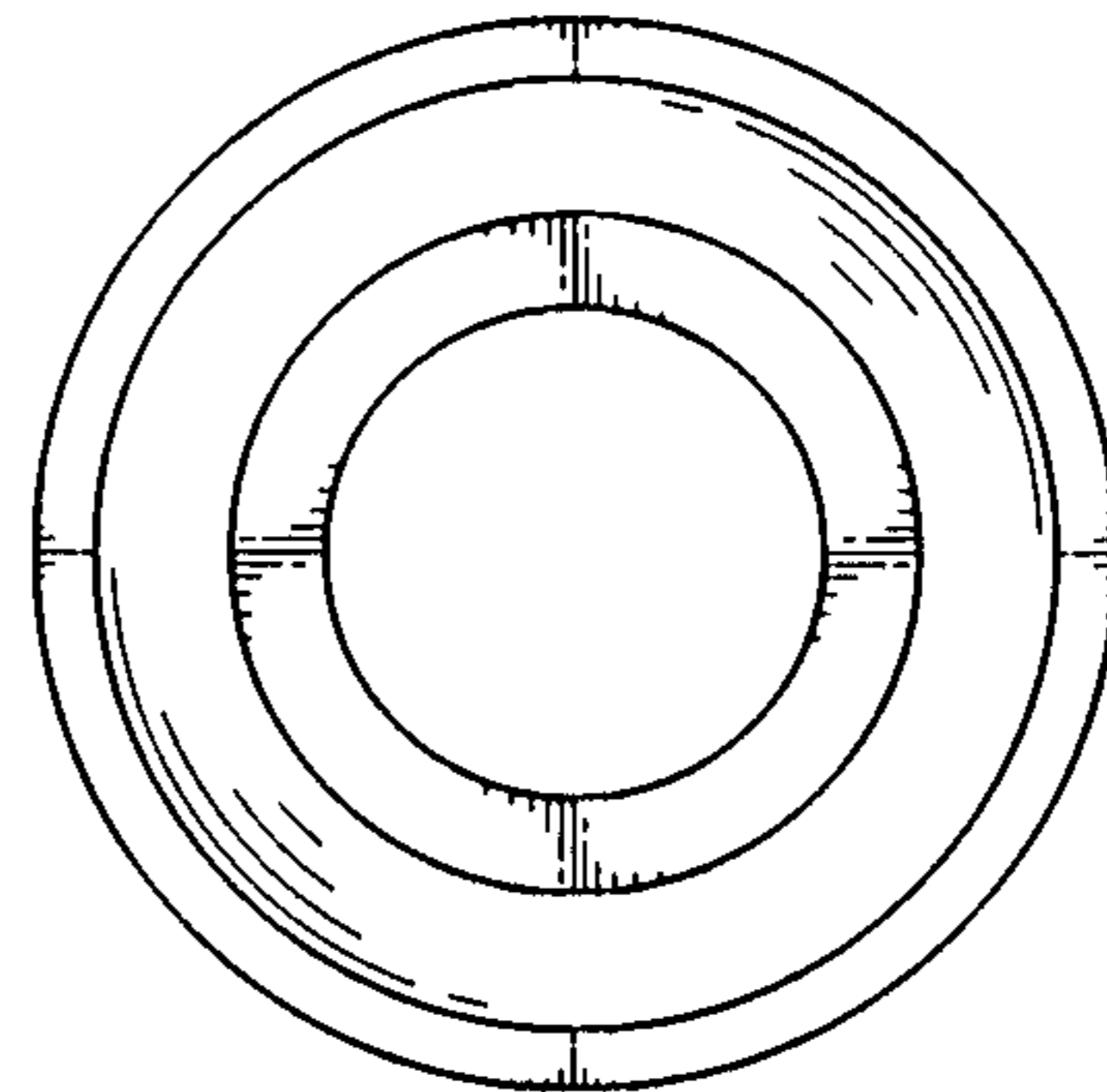


FIG. 7